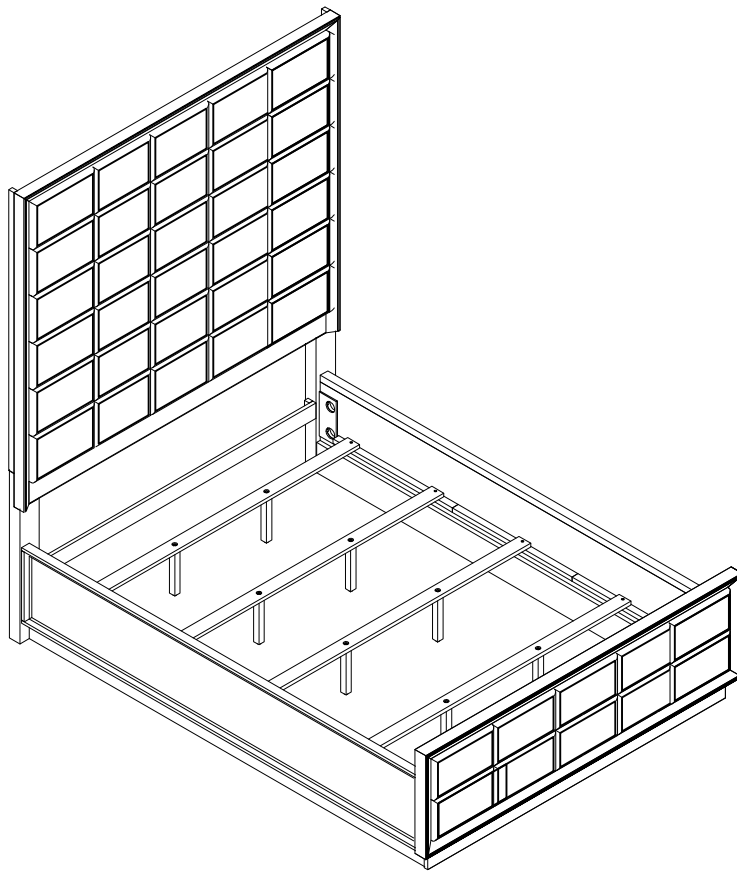


# ASSEMBLY INSTRUCTIONS



*Fine Furniture for every stage of life*

**(B1-B3)**  
**Eastern King Bed**

# ASSEMBLY INSTRUCTIONS

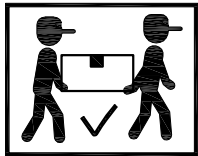
## ASSEMBLY TIPS:

- 1.Remove hardware from box and sort by size.
- 2.Please check to see that all hardware and parts are present prior to start of assembly.
- 3.Please follow attached instructions in the same sequence as numbered to assure fast & easy assembly.

### WARNING!



- 1.Don't attempt to repair or modify parts that are broken or defective. Please contact the store immediately.
- 2.This product is for home use only and not intended for commercial establishments.



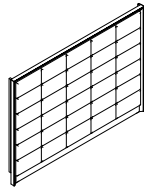
ASSEMBLY TIME

20 MINUTES

## PARTS IDENTIFICATION

### B1 (BOX 1)

A HEADBOARD PANEL



1PC

B LEFT HEADBOARD LEG



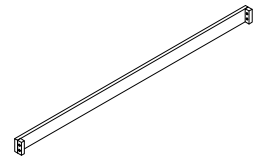
1PC

C RIGHT HEADBOARD LEG



1PC

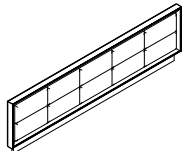
D HEADBOARD BOTTOM RAIL



1PC

### B2 (BOX 2)

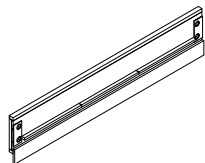
E FOOTBOARD



1PC

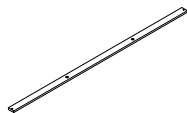
### B3 (BOX 3)

F BED RAIL



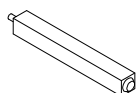
2PCS

G BED SLAT



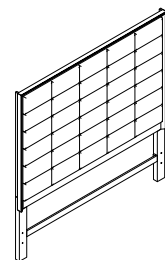
4PCS

H BED SLAT SUPPORT WITH LEVELER



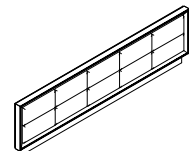
8PCS

HB HEADBOARD COMPLETE



1PC

E FOOTBOARD



1PC

# ASSEMBLY INSTRUCTIONS

## ASSEMBLY TIPS:

- 1.Remove hardware from box and sort by size.
- 2.Please check to see that all hardware and parts are present prior to start of assembly.
- 3.Please follow attached instructions in the same sequence as numbered to assure fast & easy assembly.

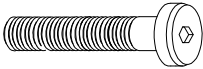






### WARNING!






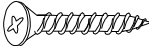
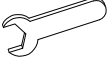
- 1.Don't attempt to repair or modify parts that are broken or defective. Please contact the store immediately.
- 2.This product is for home use only and not intended for commercial establishments.

## HARDWARE IDENTIFICATION

### Z-B1 (BOX 1) - HARDWARE PACK IS LOCATED IN (B1)

1	<b>LONG BOLT</b> (5/16" x 45mm - BLK)		10PCS	4	<b>FLAT WASHER</b> (5/16" x 19 x 1.5mm - BLK)		14PCS
2	<b>SHORT BOLT</b> (5/16" x 38mm - BLK)		4PCS	5	<b>ALLEN WRENCH</b> (74 x 30 x 4mm - BLK)		1PC
3	<b>LOCK WASHER</b> (5/16" - BLK)		14PCS				

### Z-B3 (BOX 3) - HARDWARE PACK IS LOCATED IN (B3)

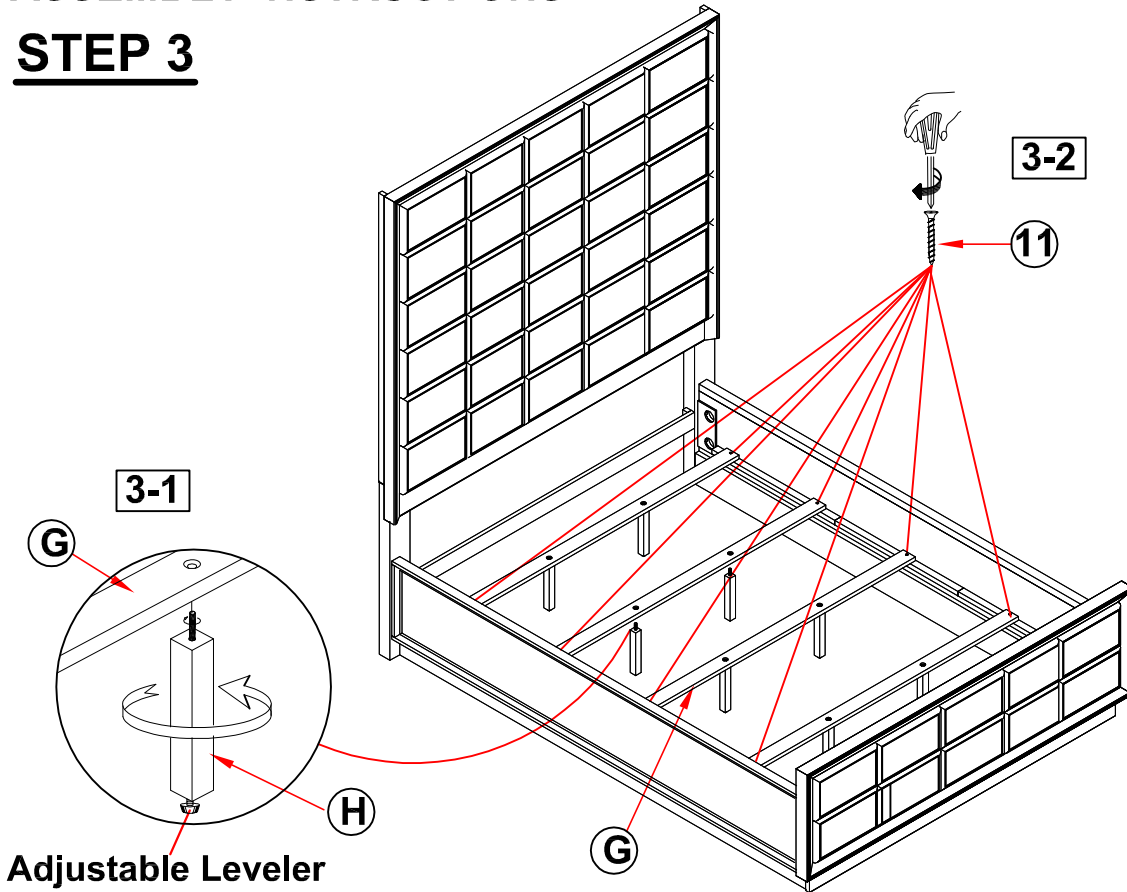
6	<b>THREADED BOLT</b> (5/16" x 75mm - BLK)		8PCS	10	<b>L - BRACKET</b> (15 x 15 x 1mm - BLK)		4PCS
7	<b>U-SQUARE WASHER</b> (25 x 15 x 2mm - BLK)		8PCS	11	<b>LONG FLAT HEAD SCREW</b> (4 x 32mm - BLK)		8PCS
8	<b>HEX NUT</b> (5/16" x 17mm - BLK)		8PCS	12	<b>SHORT FLAT HEAD SCREW</b> (3.5 x 15mm - BLK)		8PCS
9	<b>WRENCH</b> (13MM - BLK)		1PC				

**NOTE:**  
Phillips head screw driver is required in the assembly process; however, manufacturer does not provide this item.

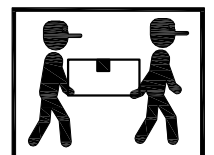
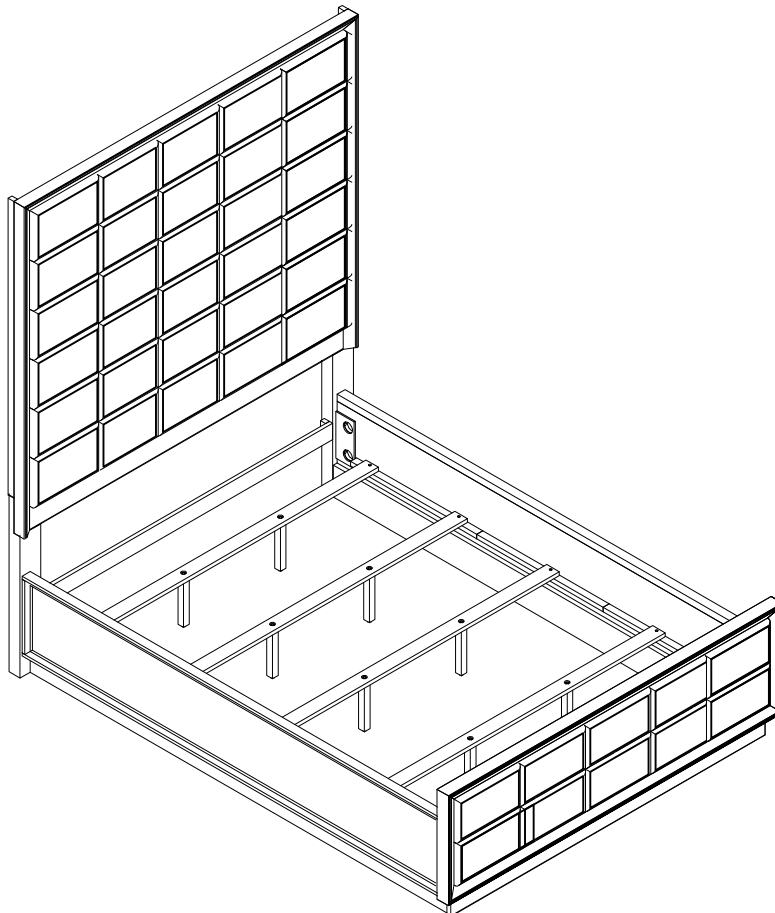


# ASSEMBLY INSTRUCTIONS

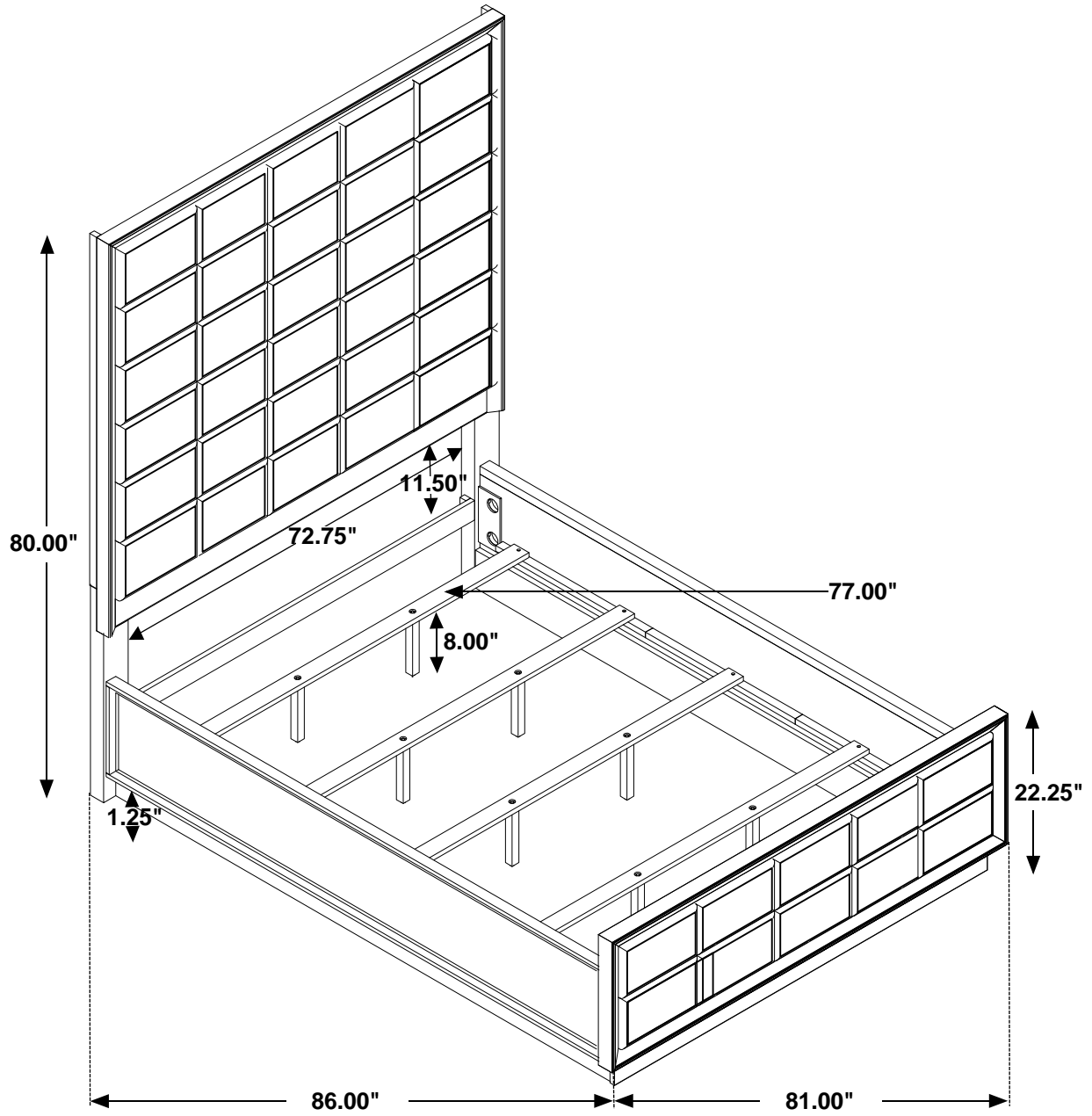
## STEP 3



## STEP 4 COMPLETE

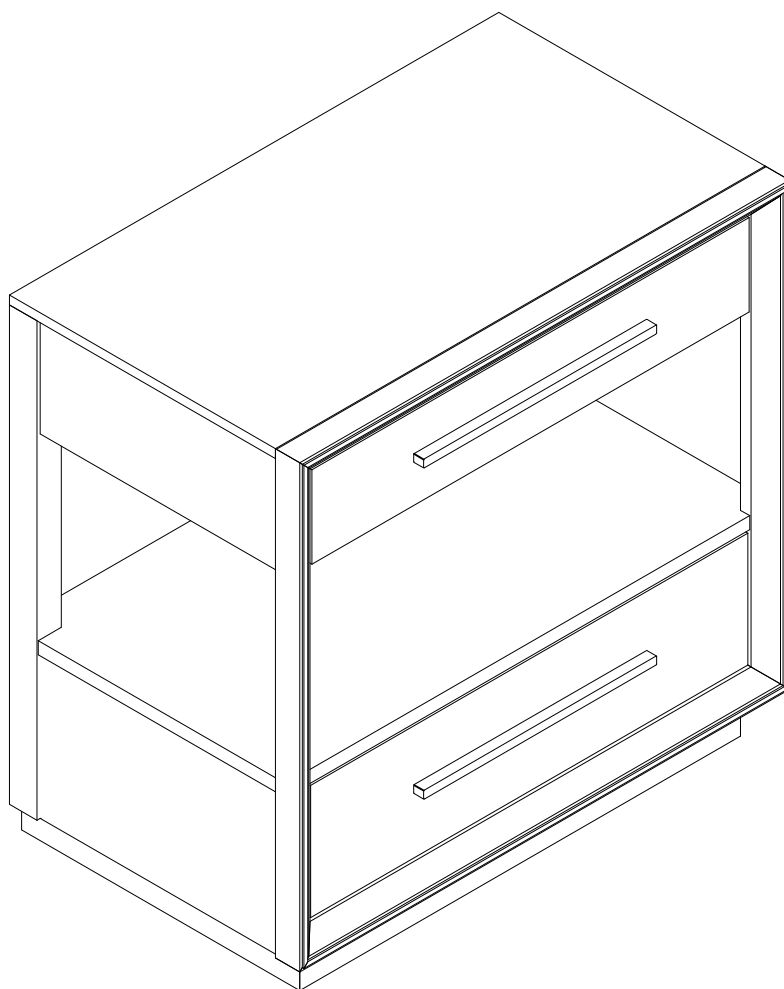


Inner Size: 77.00"W X 81.50"D



Note: Dimension tolerance  $\pm 5\%$

# ASSEMBLY INSTRUCTIONS



*Fine Furniture for every stage of life*

**Nightstand**

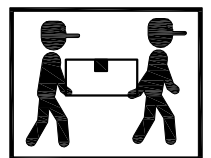
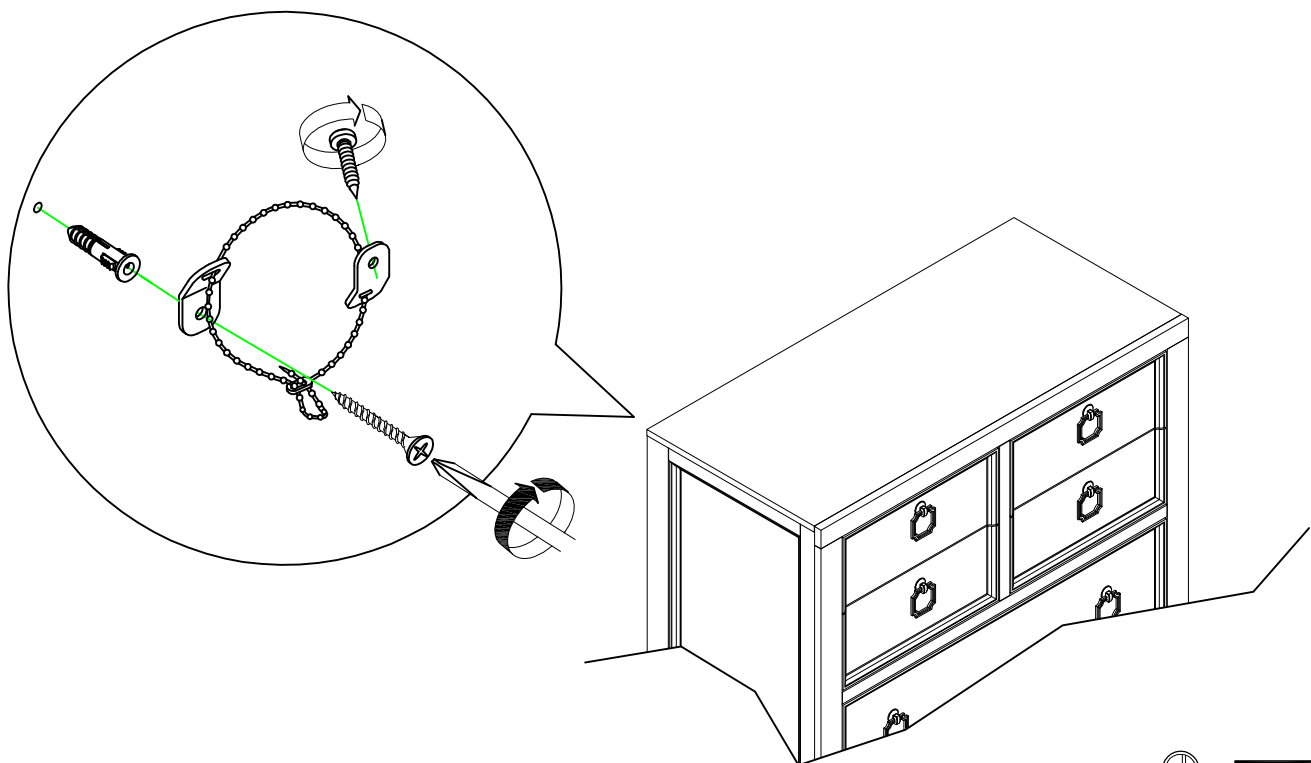
# ANTI - TIPPING INSTALLMENT INSTRUCTIONS

## FURNITURE TIPPING RESTRAINT

### WARNING

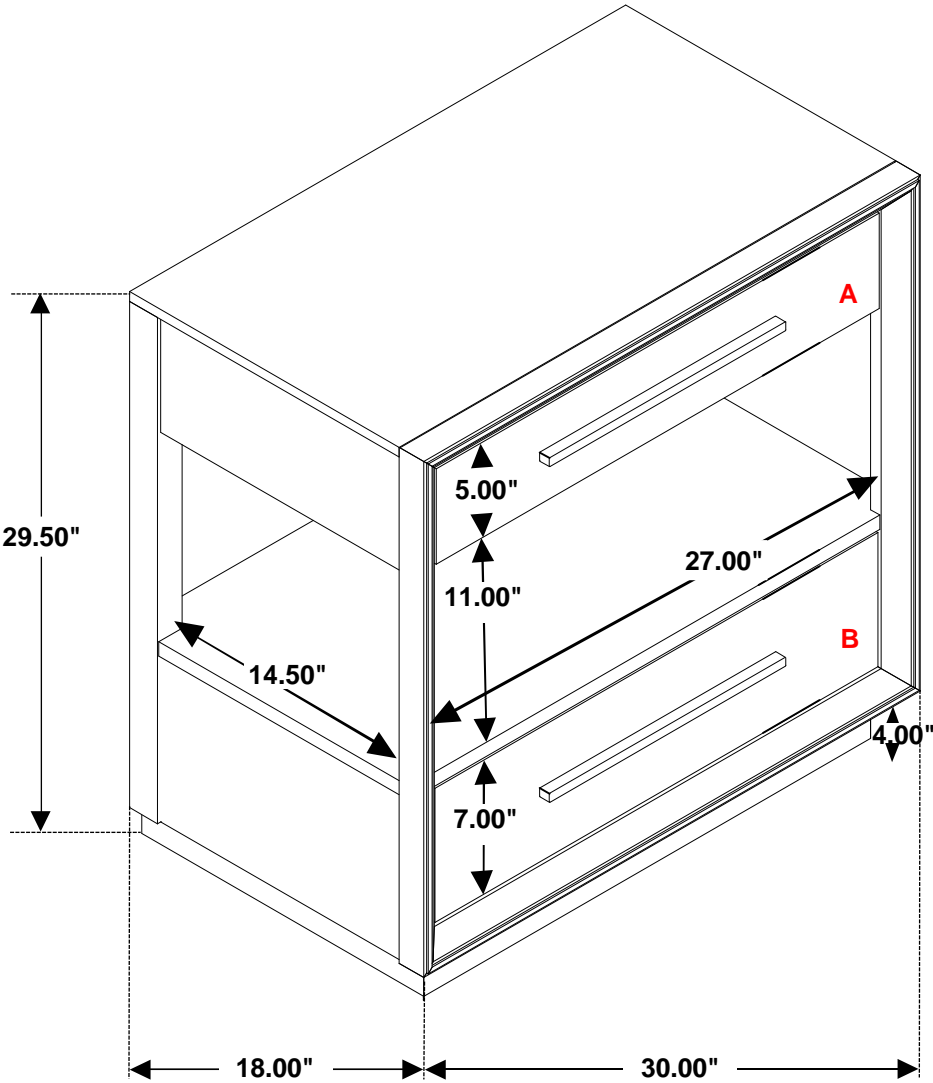
Injury may result from tipping furniture.  
This restraint may protection against tipping furniture.  
Do not allow children to climb on furniture.  
This restraint is not a substitute for proper adult supervision.  
Failure to detach this restraint before moving the furniture may result in injury and damage.

1. Attach one of the mounting brackets securely to the back edge of the furniture. Use the short screw.
2. Determine where the furniture is to be placed and mark location on the wall for the mounting bracket screw hole approximately 2" below the bracket mounted to the edge of the furniture.
3. Drill a 3/16" hole in the wall. Press the plastic wall plug into the hole and gently tap until the flange on the wall plug is against the wall surface.
4. Position the bracket over the wall plug and use the long screw to securely attach the bracket to the wall.
5. Place the furniture so the bracket on the back edge is in line with the bracket on the wall.
6. Lace an end of the cable tie down through each bracket. Bring both ends together and slide the beaded end of the cable tie through the keyhole shaped slot on the other end until snug. Pull down on the beaded end until it snap locks into the keyhole slot.
7. To double lock return the beaded end back through the keyhole as shown.
8. Check to make sure the cable tie is securely laced and locked to the brackets.



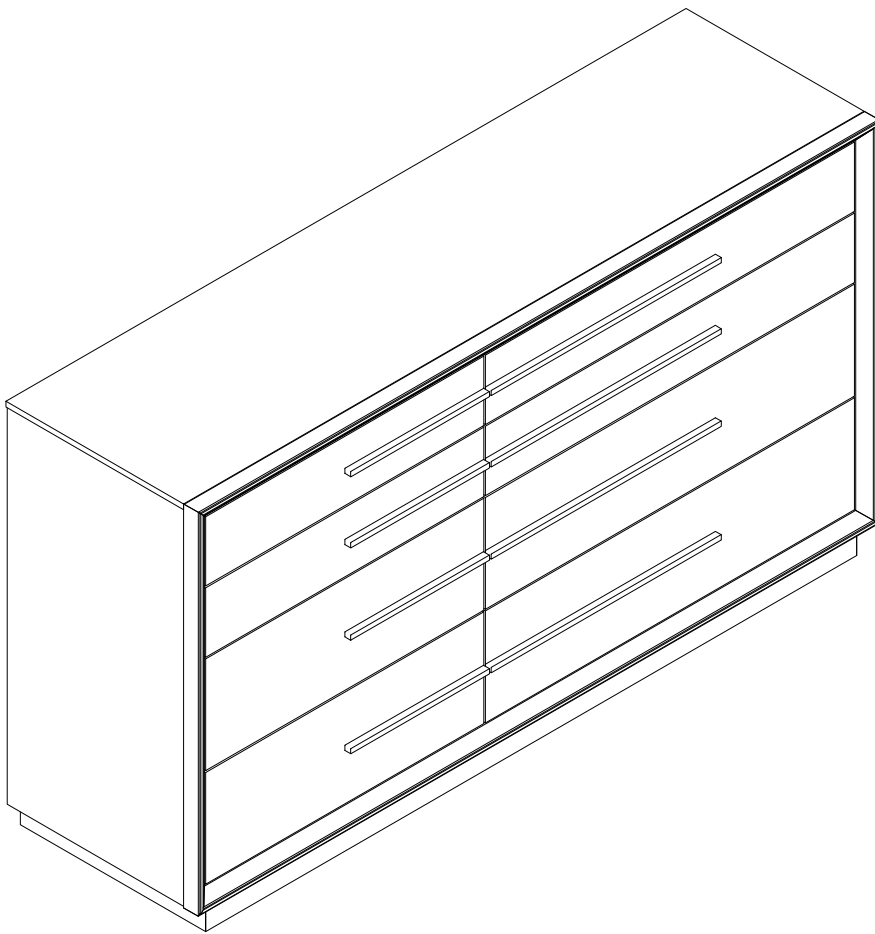
**Inner Size of Drawer A : 25.00"W X 13.75"D X 3.50"H X 0.50"T**

**Inner Size of Drawer B : 25.00"W X 13.75"D X 5.25"H X 0.50"T**



**Note: Dimension tolerance  $\pm 5\%$**

# ASSEMBLY INSTRUCTIONS



*Fine Furniture for every stage of life*

**Dresser**

# ASSEMBLY INSTRUCTIONS

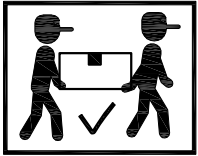
## ASSEMBLY TIPS:

- 1.Remove hardware from box and sort by size.
- 2.Please check to see that all hardware and parts are present prior to start of assembly.
- 3.Please follow attached instructions in the same sequence as numbered to assure fast & easy assembly.

### WARNING!



- 1.Don't attempt to repair or modify parts that are broken or defective. Please contact the store immediately.
- 2.This product is for home use only and not intended for commercial establishments.

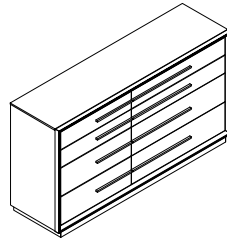


ASSEMBLY TIME

5 MINUTES

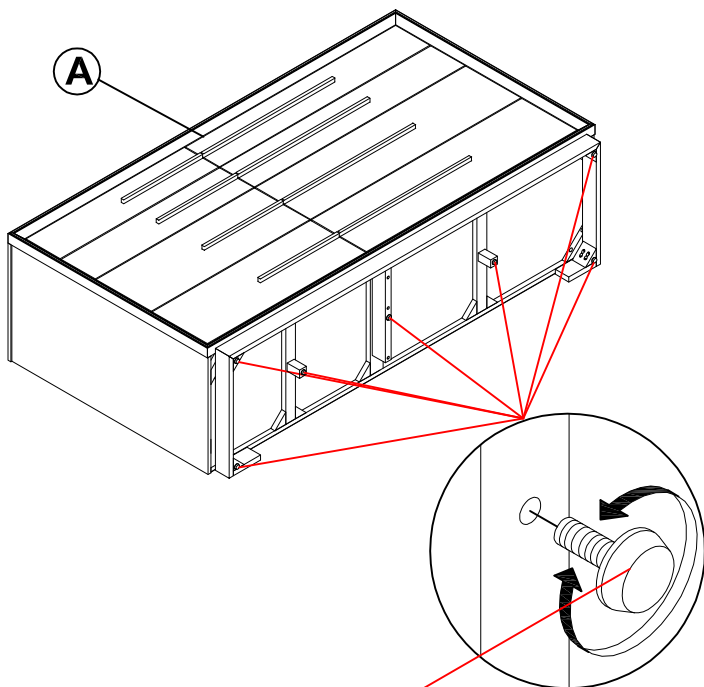
## PARTS IDENTIFICATION

A DRESSER



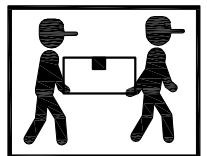
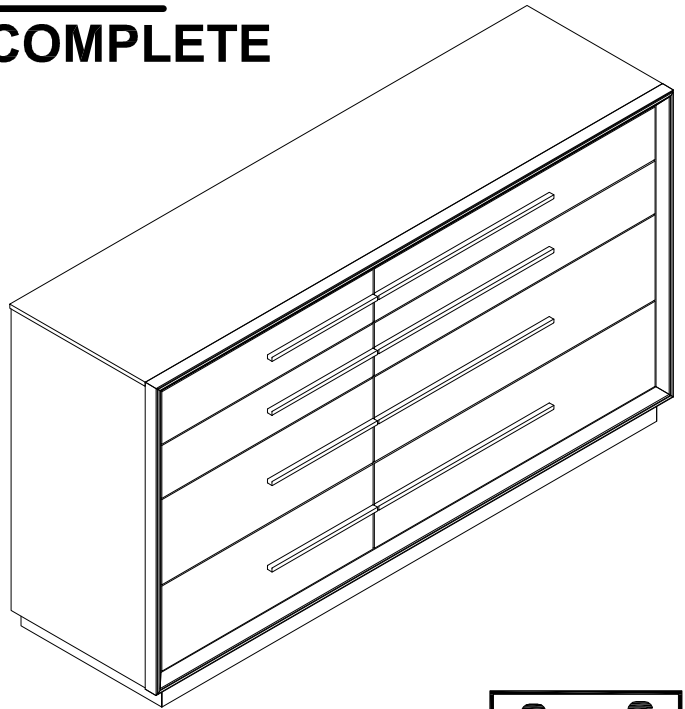
1PC

### STEP 1



Adjustable Leveler

### STEP 2 **COMPLETE**



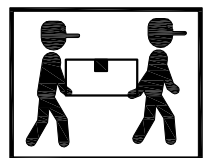
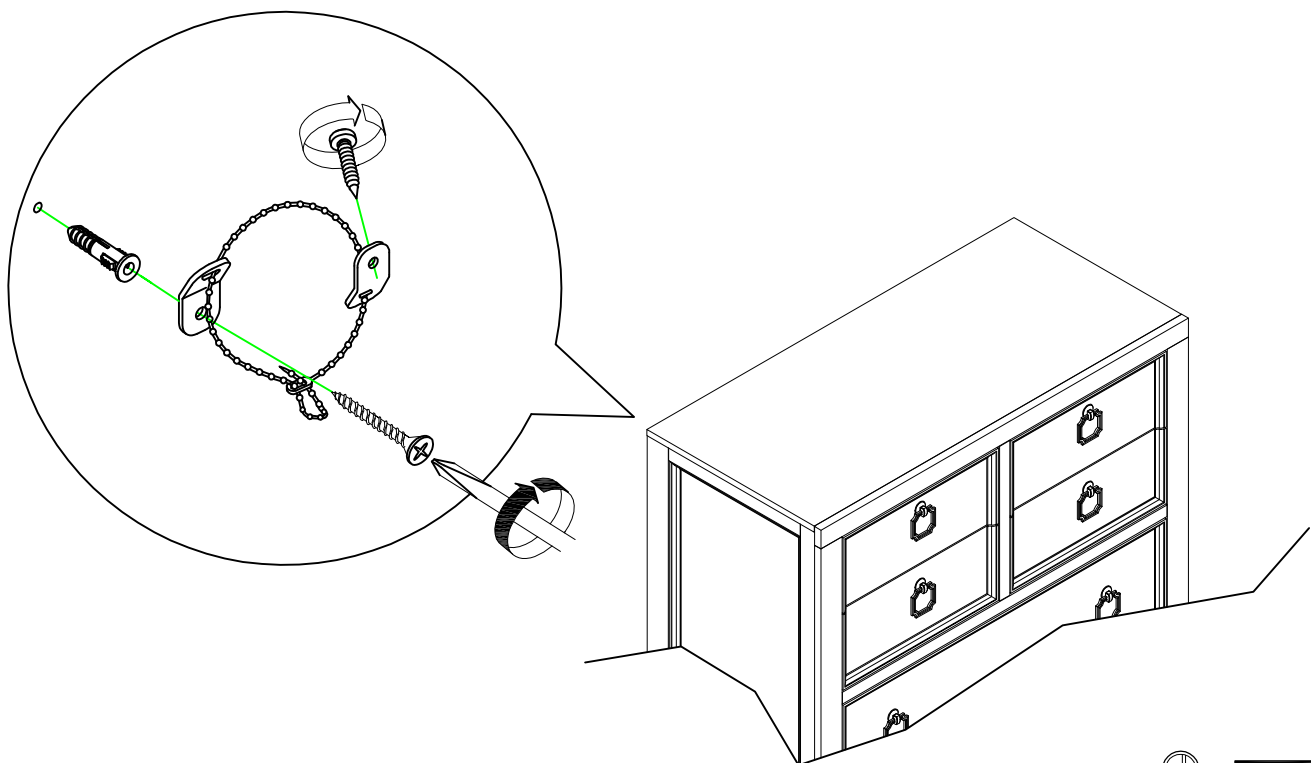
# ANTI - TIPPING INSTALLMENT INSTRUCTIONS

## FURNITURE TIPPING RESTRAINT

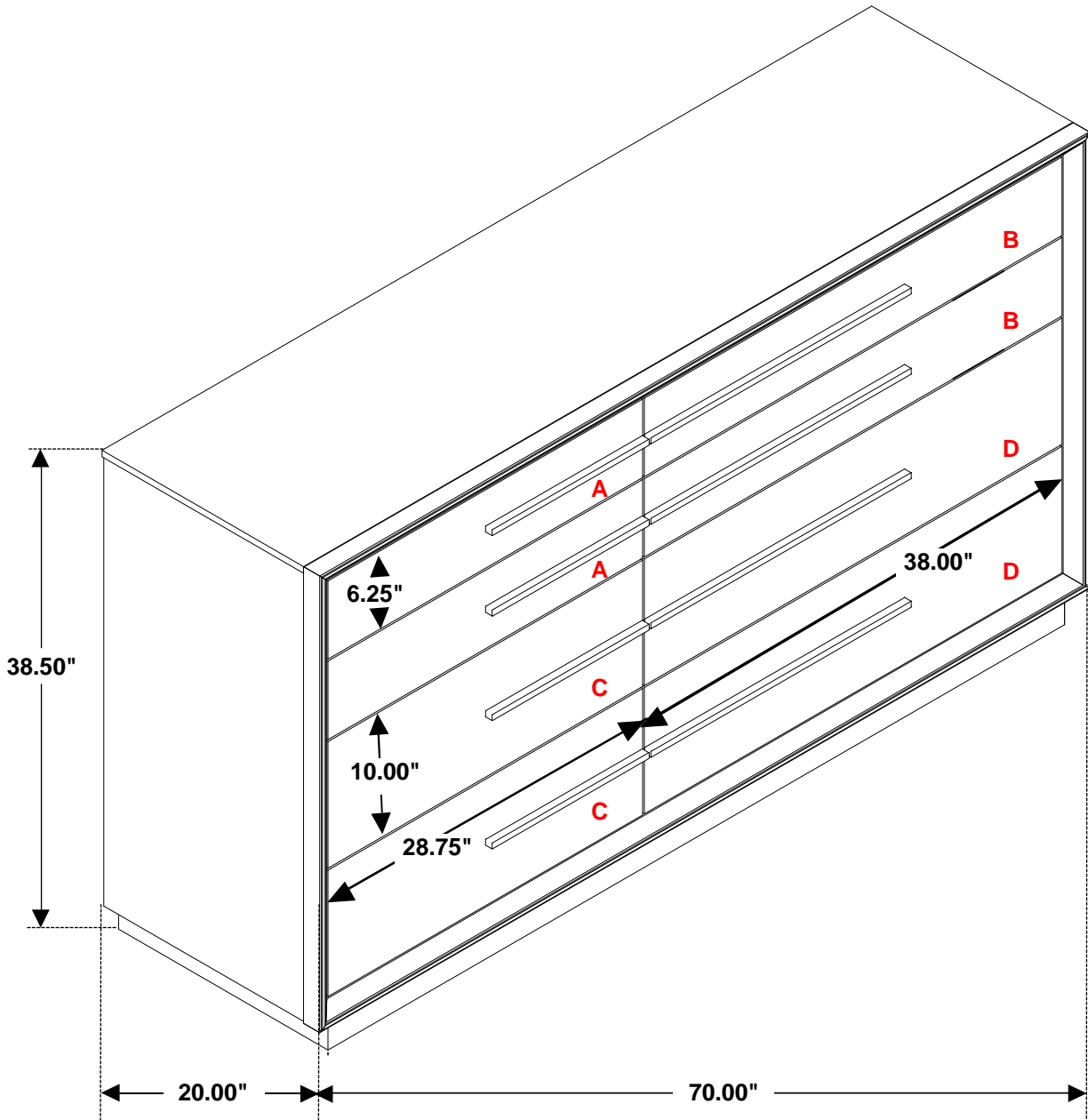
### WARNING

Injury may result from tipping furniture.  
This restraint may protection against tipping furniture.  
Do not allow children to climb on furniture.  
This restraint is not a substitute for proper adult supervision.  
Failure to detach this restraint before moving the furniture may result in injury and damage.

1. Attach one of the mounting brackets securely to the back edge of the furniture. Use the short screw.
2. Determine where the furniture is to be placed and mark location on the wall for the mounting bracket screw hole approximately 2" below the bracket mounted to the edge of the furniture.
3. Drill a 3/16" hole in the wall. Press the plastic wall plug into the hole and gently tap until the flange on the wall plug is against the wall surface.
4. Position the bracket over the wall plug and use the long screw to securely attach the bracket to the wall.
5. Place the furniture so the bracket on the back edge is in line with the bracket on the wall.
6. Lace an end of the cable tie down through each bracket. Bring both ends together and slide the beaded end of the cable tie through the keyhole shaped slot on the other end until snug. Pull down on the beaded end until it snap locks into the keyhole slot.
7. To double lock return the beaded end back through the keyhole as shown.
8. Check to make sure the cable tie is securely laced and locked to the brackets.

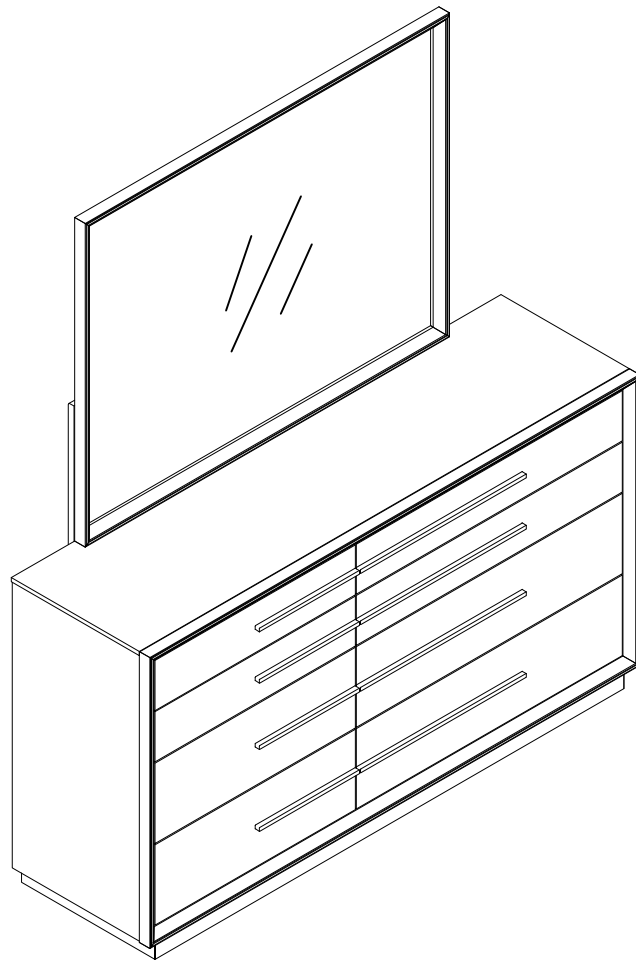


**Inner Size of Drawer A : 26.50"W X 14.50"D X 3.50"H X 0.50"T**  
**Inner Size of Drawer B : 35.75"W X 14.50"D X 3.50"H X 0.50"T**  
**Inner Size of Drawer C : 26.50"W X 14.50"D X 7.25"H X 0.50"T**  
**Inner Size of Drawer D : 35.75"W X 14.50"D X 7.25"H X 0.50"T**



**Note: Dimension tolerance  $\pm 5\%$**

# ASSEMBLY INSTRUCTIONS



*Fine Furniture for every stage of life*

**Mirror**

# ASSEMBLY INSTRUCTIONS

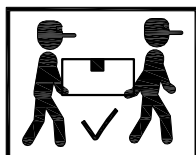
## ASSEMBLY TIPS:

- 1.Remove hardware from box and sort by size.
- 2.Please check to see that all hardware and parts are present prior to start of assembly.
- 3.Please follow attached instructions in the same sequence as numbered to assure fast & easy assembly.



### WARNING!

- 1.Don't attempt to repair or modify parts that are broken or defective. Please contact the store immediately.
- 2.This product is for home use only and not intended for commercial establishments.

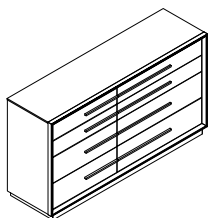


ASSEMBLY TIME

10 MINUTES

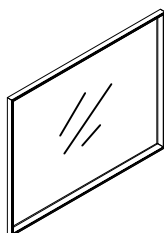
## PARTS IDENTIFICATION

A DRESSER



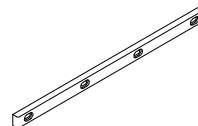
1PC

B MIRROR



1PC

C MIRROR SUPPORT  
(PACKED WITH  
DRESSER)



2PCS

## HARDWARE IDENTIFICATION

1 BOLT  
(1/4" x 32mm - BLK)



6PCS

3 FLAT WASHER  
(1/4" x 19 x 1.5mm - BLK)



6PCS

2 LOCK WASHER  
(1/4" - BLK)



6PCS

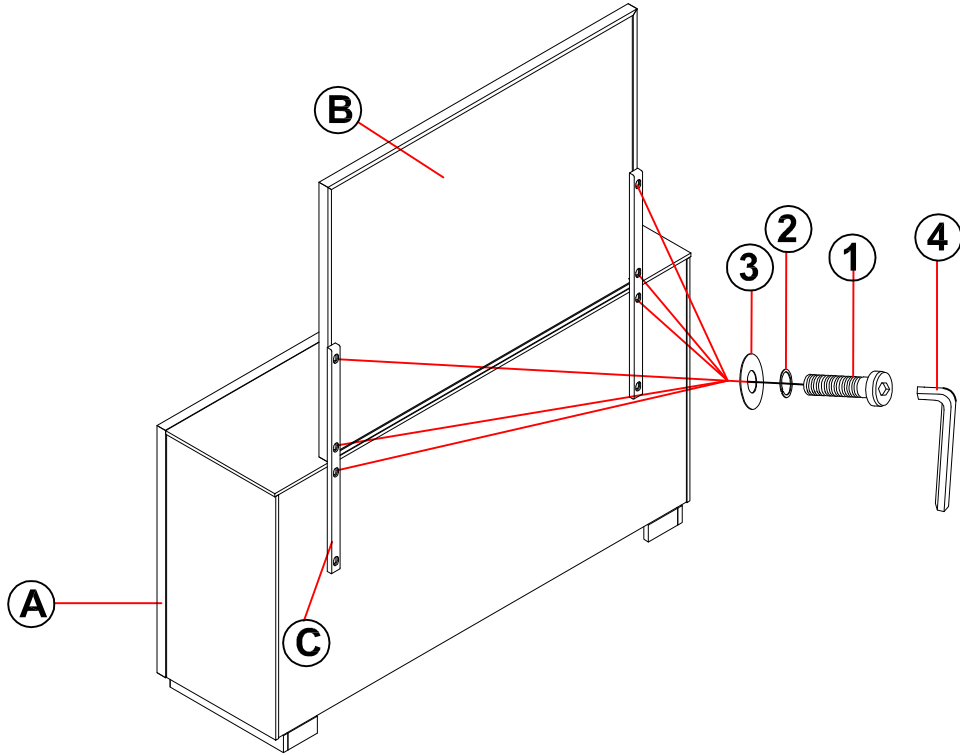
4 ALLEN WRENCH  
(4MM - BLK)



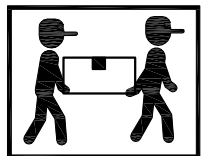
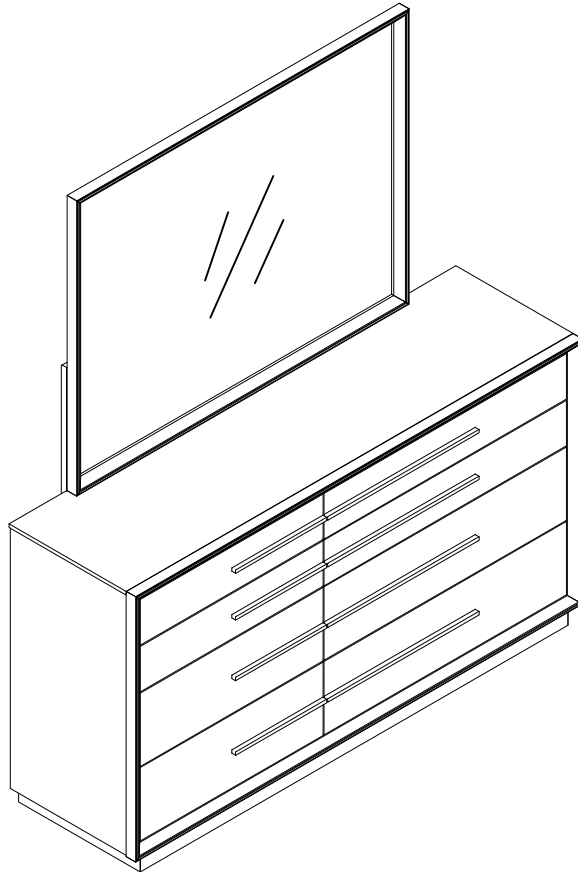
1PC

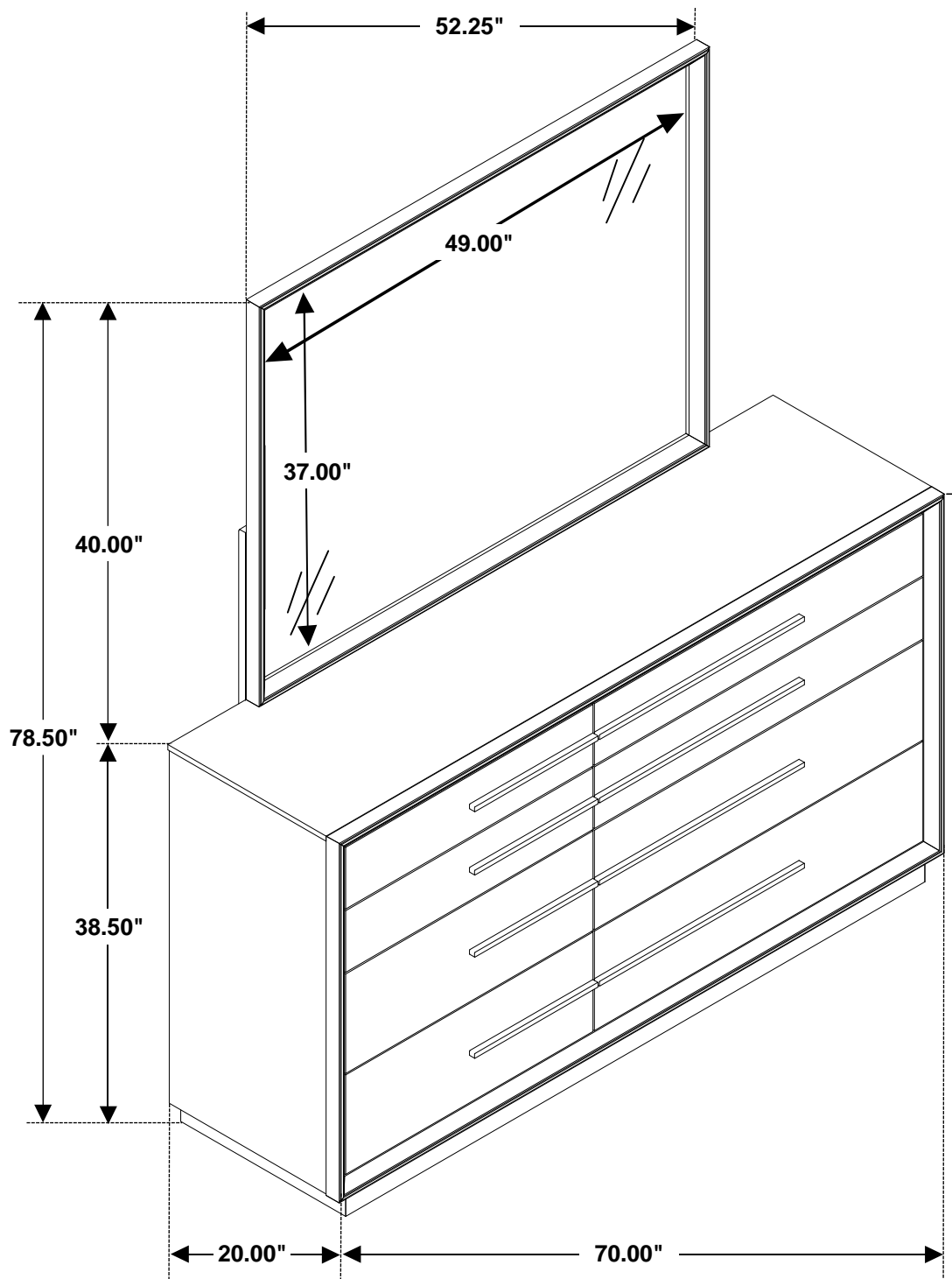
# ASSEMBLY INSTRUCTIONS

## STEP 1



## STEP 2 COMPLETE





**Note: Dimension tolerance  $\pm 5\%$**