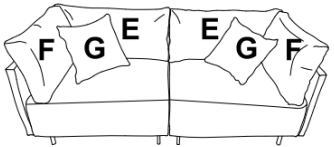
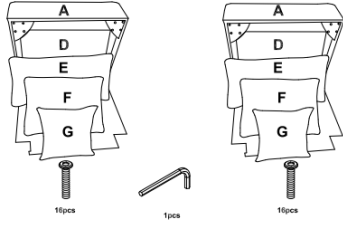


Assembly Manual

1/2




A




16pcs 1pcs 16pcs

A **B**




X2 X8

C **D**



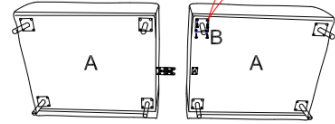
X2 X2

H **I**



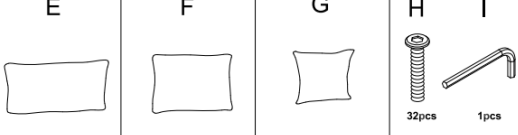
X32 X1

A(X2)
B(X8)



H32pcs

E **F** **G** **H** **I**



X2 X2 X2 32pcs 1pcs

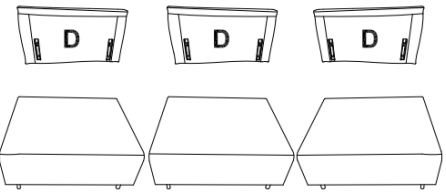
Page1

Page2

Assembly Manual

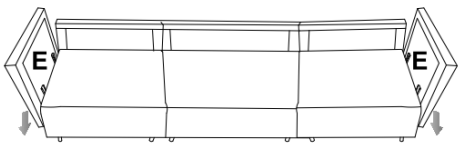
2/2

D(x3)



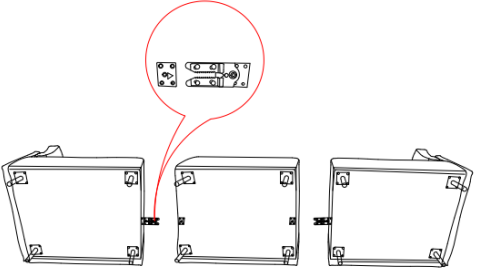
Page3

E(x2)




Page4

F(x3)
G(x2)
H(x1)
I(x2)



Page5



Page6