

ASSEMBLY INSTRUCTIONS



OTTOMAN

ASSEMBLY INSTRUCTIONS

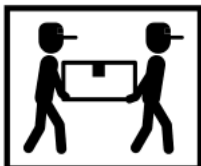
ASSEMBLY TIPS:

- 1.Remove hardware from box and sort by size.
- 2.Please check to see that all hardware and parts are present prior to start of assembly.
- 3.Please follow attached instruction in the same sequence as numbered to assure fast & easy assembly.



WARNING!

- 1.Don't attempt to repair or modify parts that are broken or defective. Please contact the store immediately.
- 2.This product is for home use only and not intended for commercial establishment.



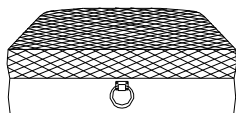
ASSEMBLY TIME

5 MINUTES

PARTS IDENTIFICATION

A

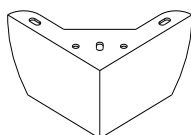
OTTOMAN



1 PC

B

LEGS



4 PCS

HARDWARE IDENTIFICATION

1

Allen wrench
5*23*73mm



1 PC

3

Washer M8
21*21*1mm



8 PCS

2

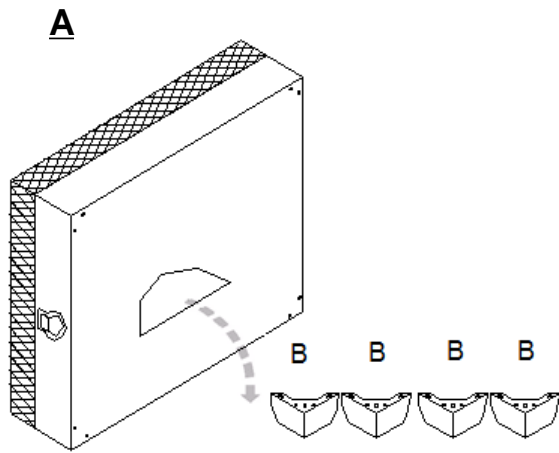
Wood screw
30*10*10mm



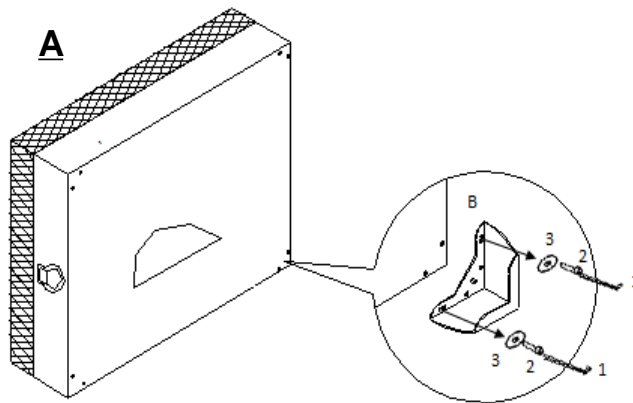
8 PCS

ASSEMBLY INSTRUCTIONS

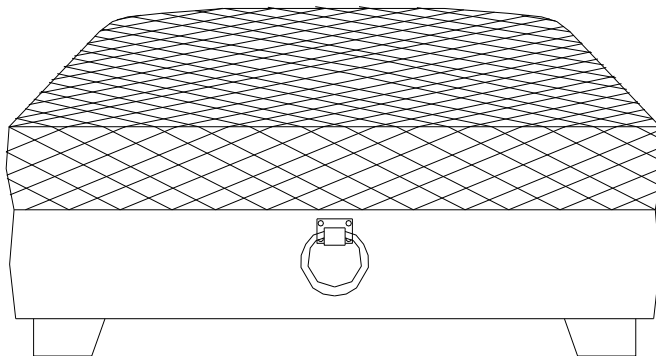
STEP 1



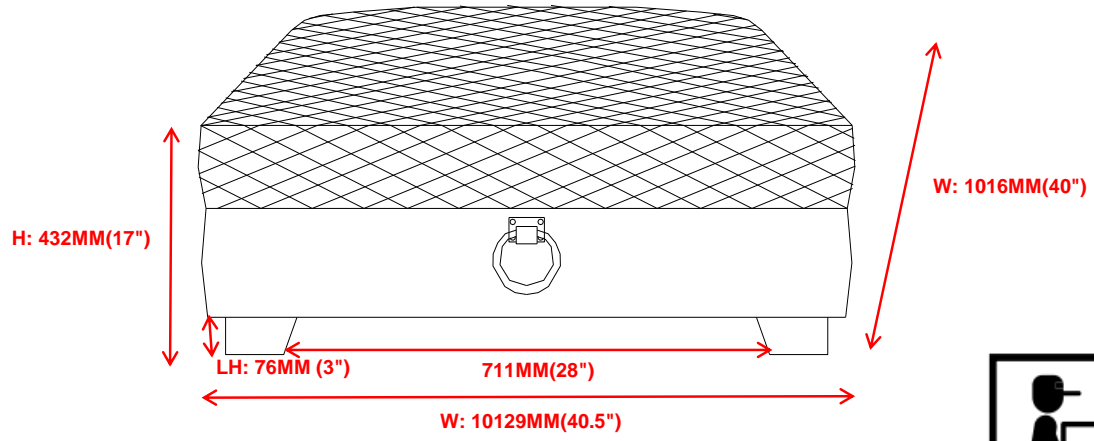
STEP 2



STEP 3



STEP 4



NOTE:Dimension tolerance $\pm 5\%$

