
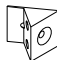
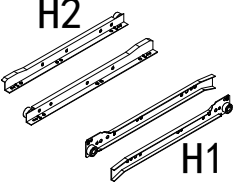


O 6*25 **P**

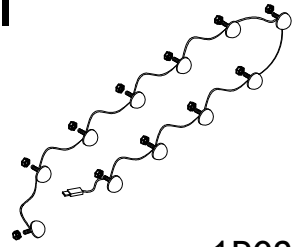
2PCS 8PCS

H 300mm




H2
H1
4SET

I




1PCS

J




4PCS

K 4*10



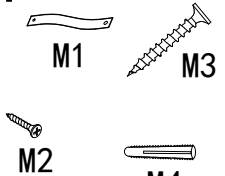
4PCS

L



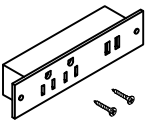
11PCS

M



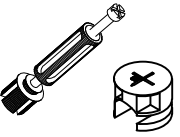
M1 M2 M3 M4
1SET

N



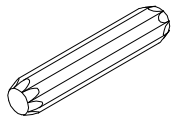
1SET

A



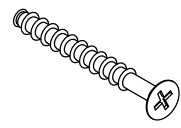
43SET

B 8*40




36PCS

C 7*50



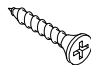
13PCS

D 3*12



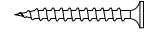
24PCS

E 3.5*14



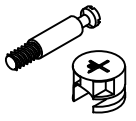
16PCS

F 3.5*30



16PCS

G



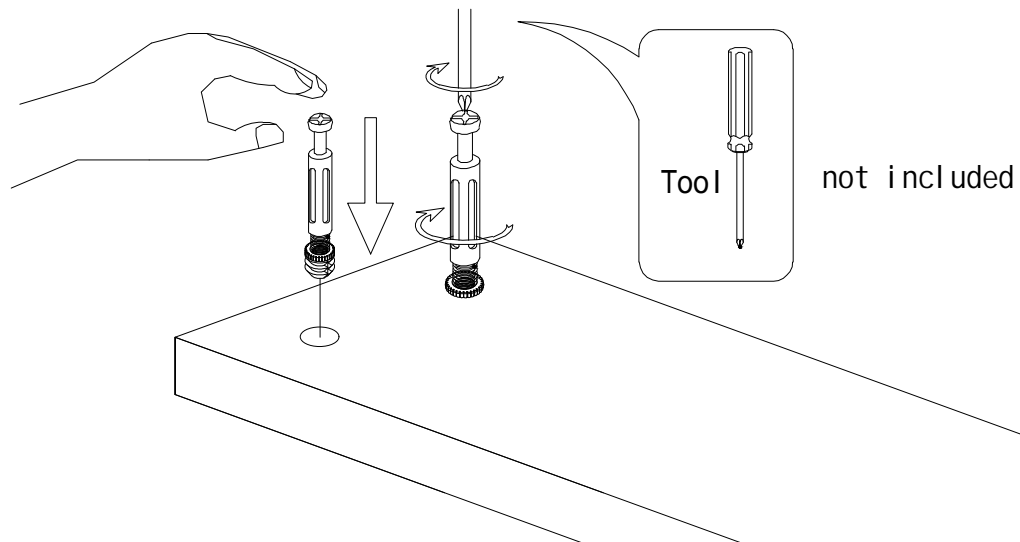
16SET



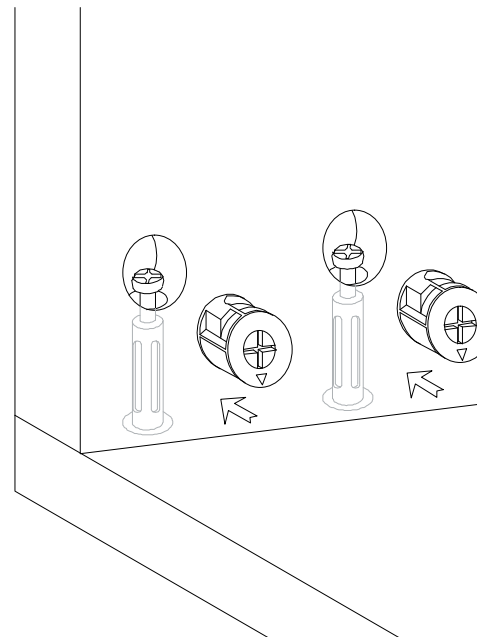
Hardware installation demonstration

NOTE: Please make sure "A" hardware tightened and can't be pulled out!

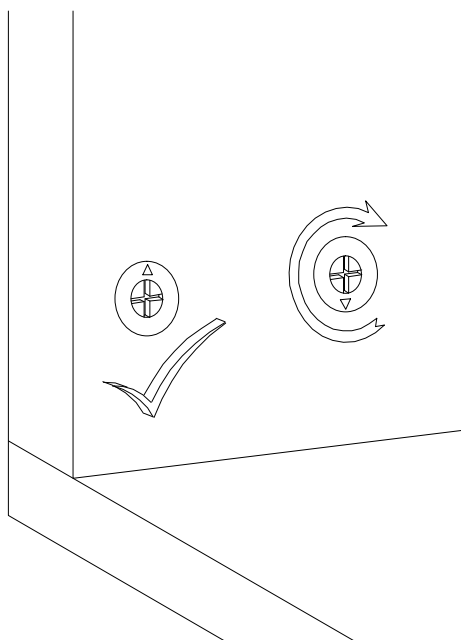
I



II



III

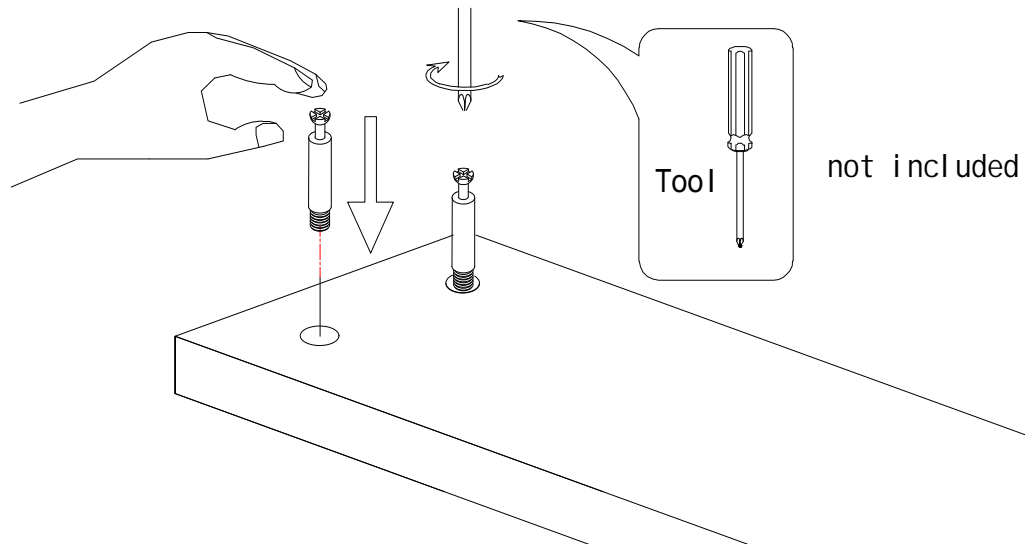




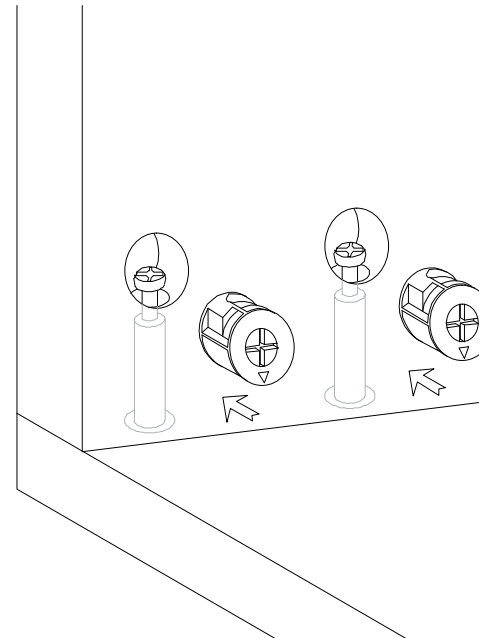
Hardware installation demonstration

NOTE: Please make sure "G" hardware tightened and can't be pulled out!

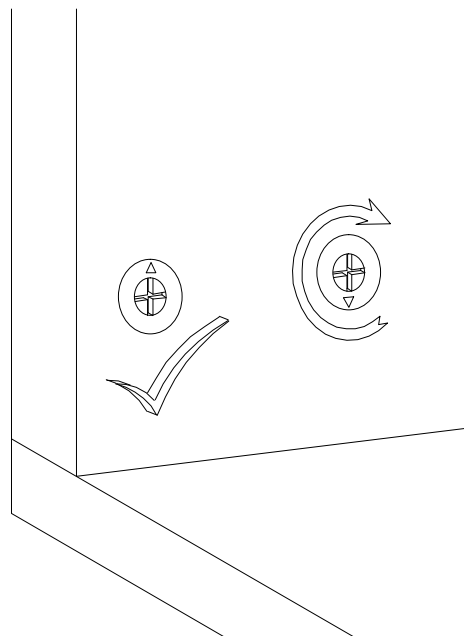
I



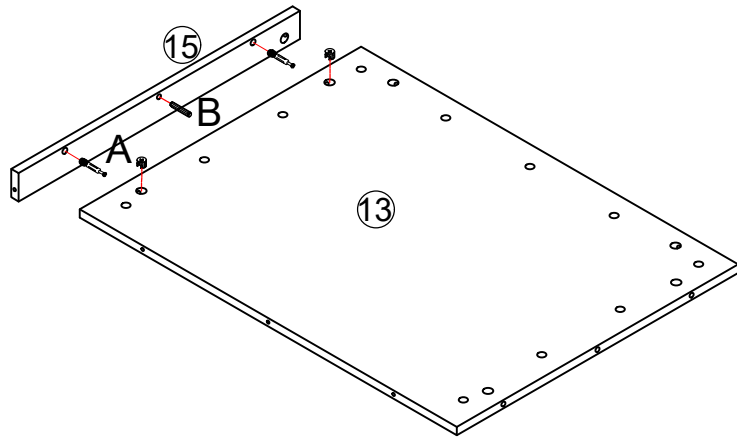
II



III

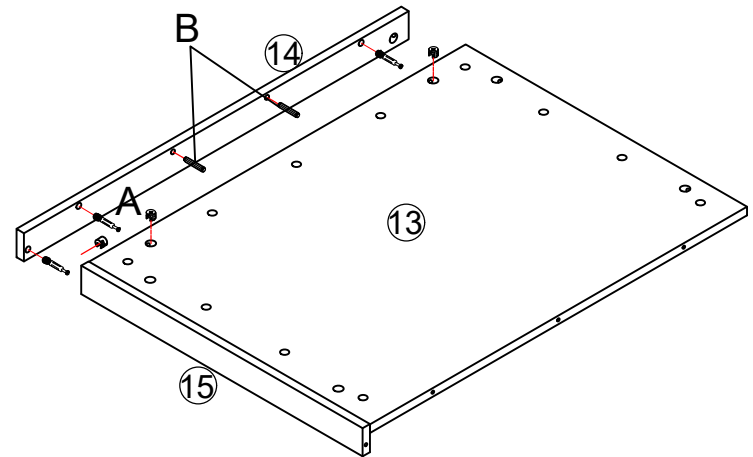


①



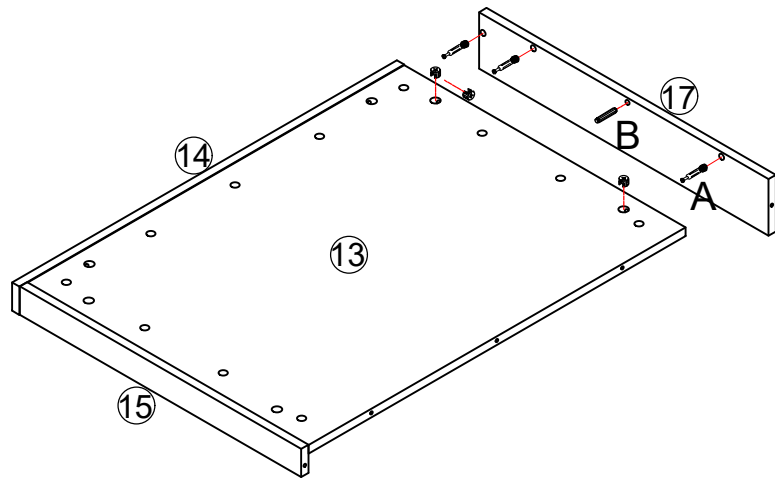
A*2 B*1

②



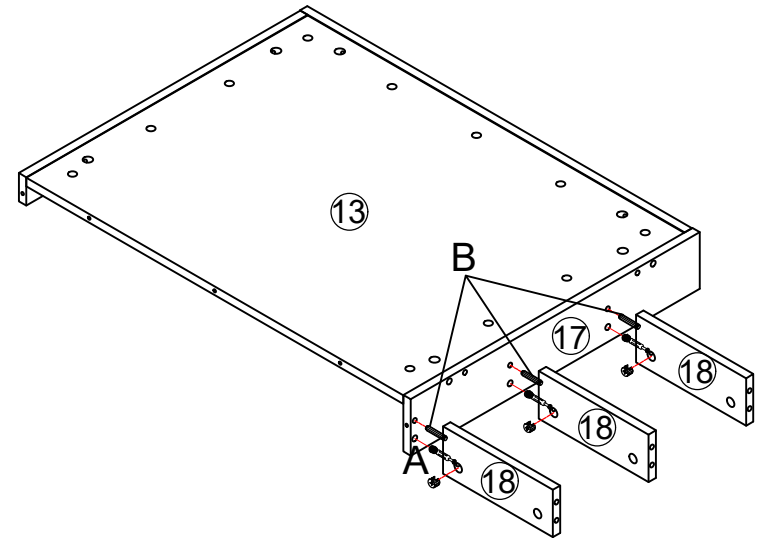
A*3 B*2

3



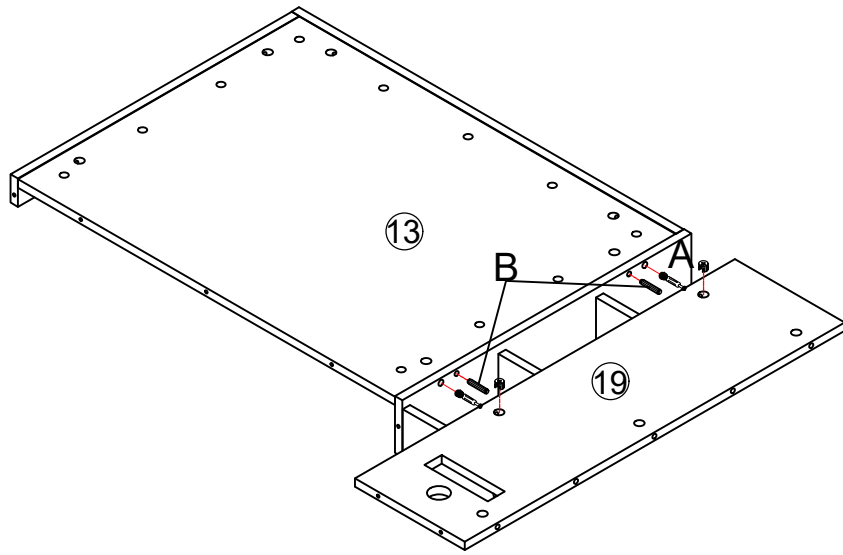
A*3 B*1

4



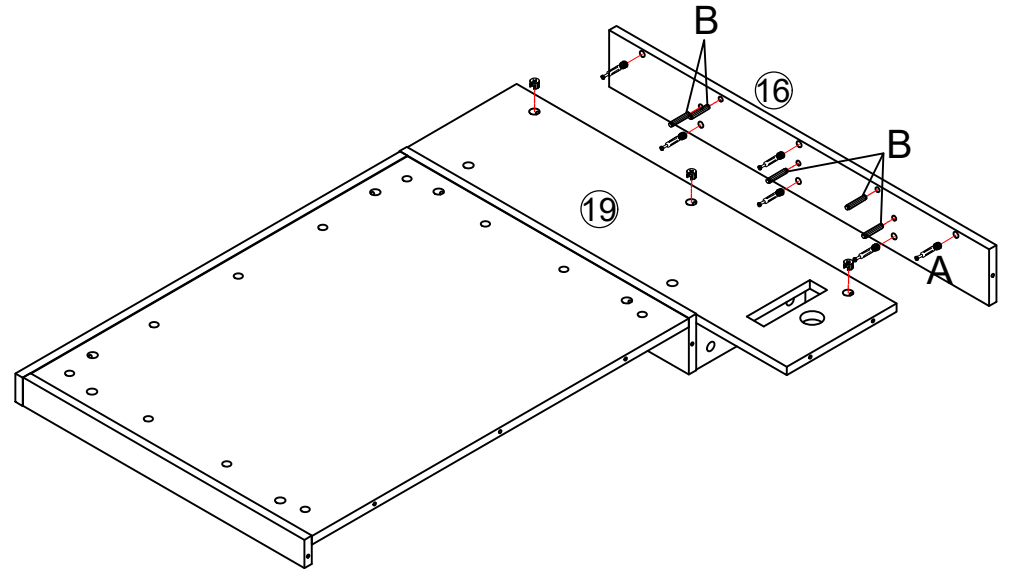
A*3 B*3

5



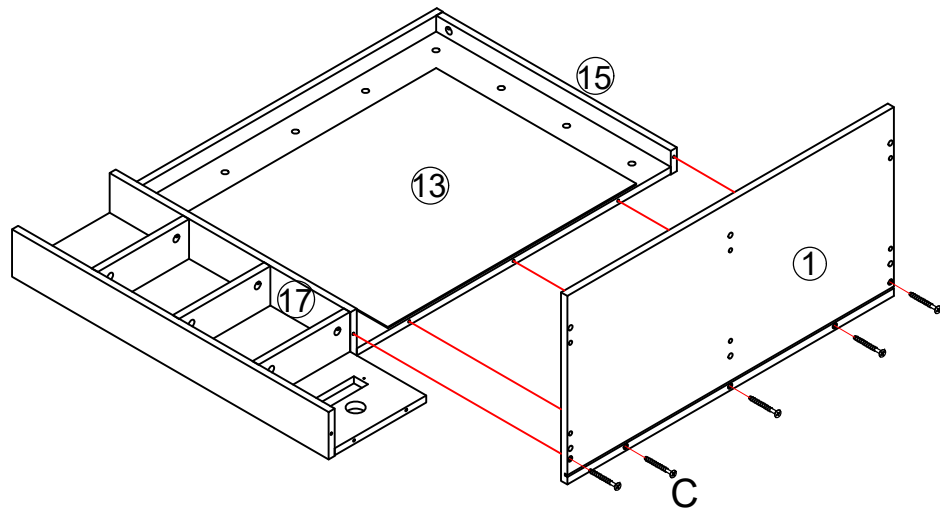
A*2 B*2

6



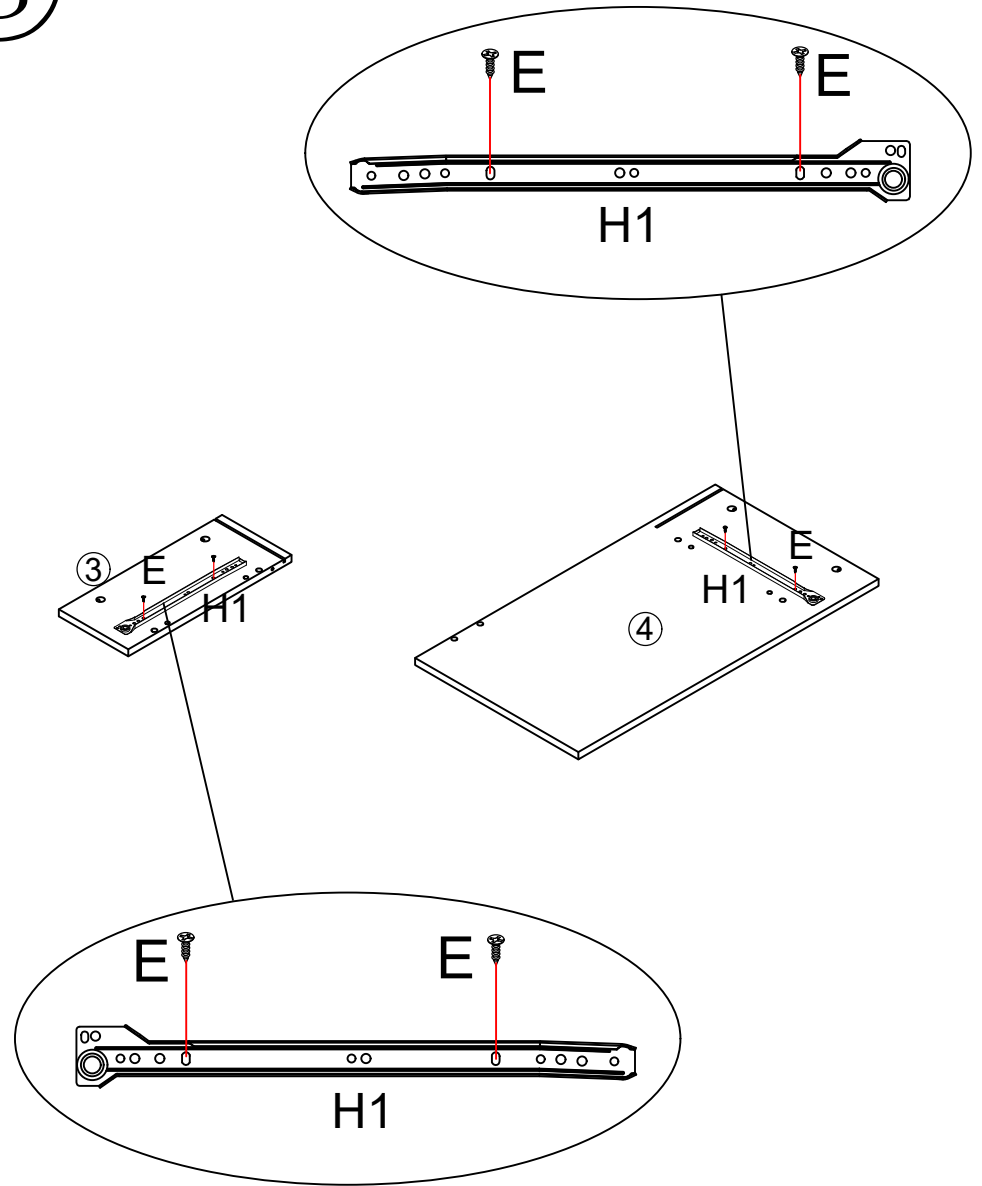
A*6 B*5

7



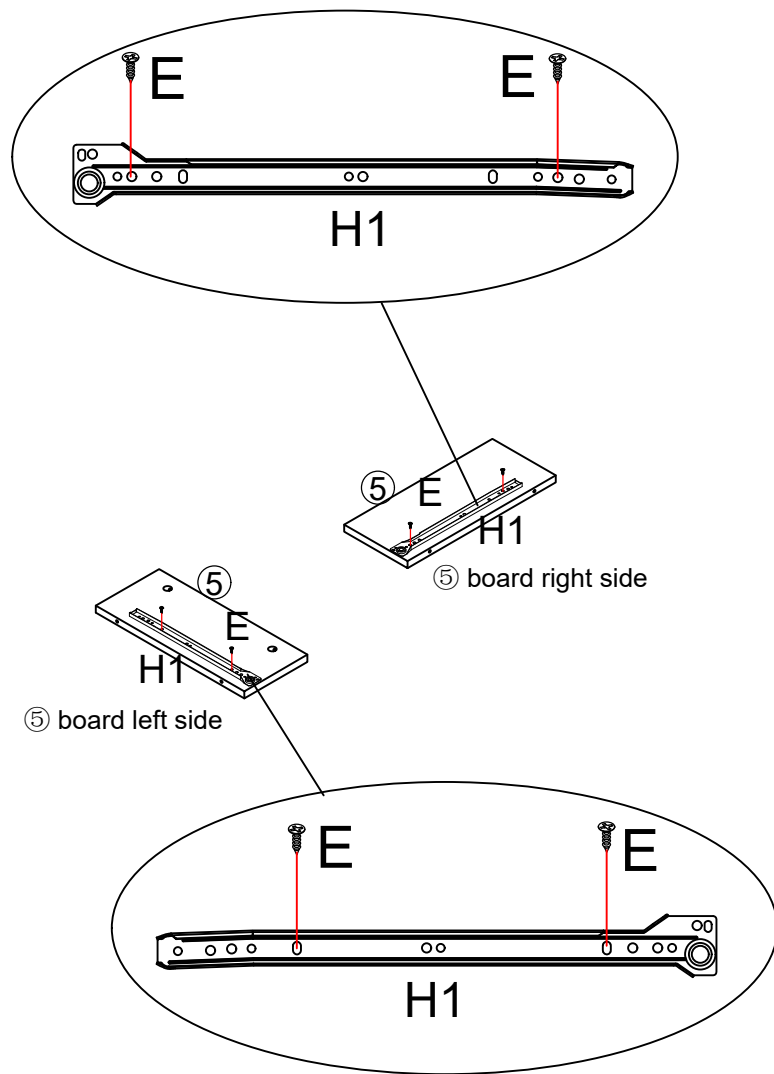
C*5

8



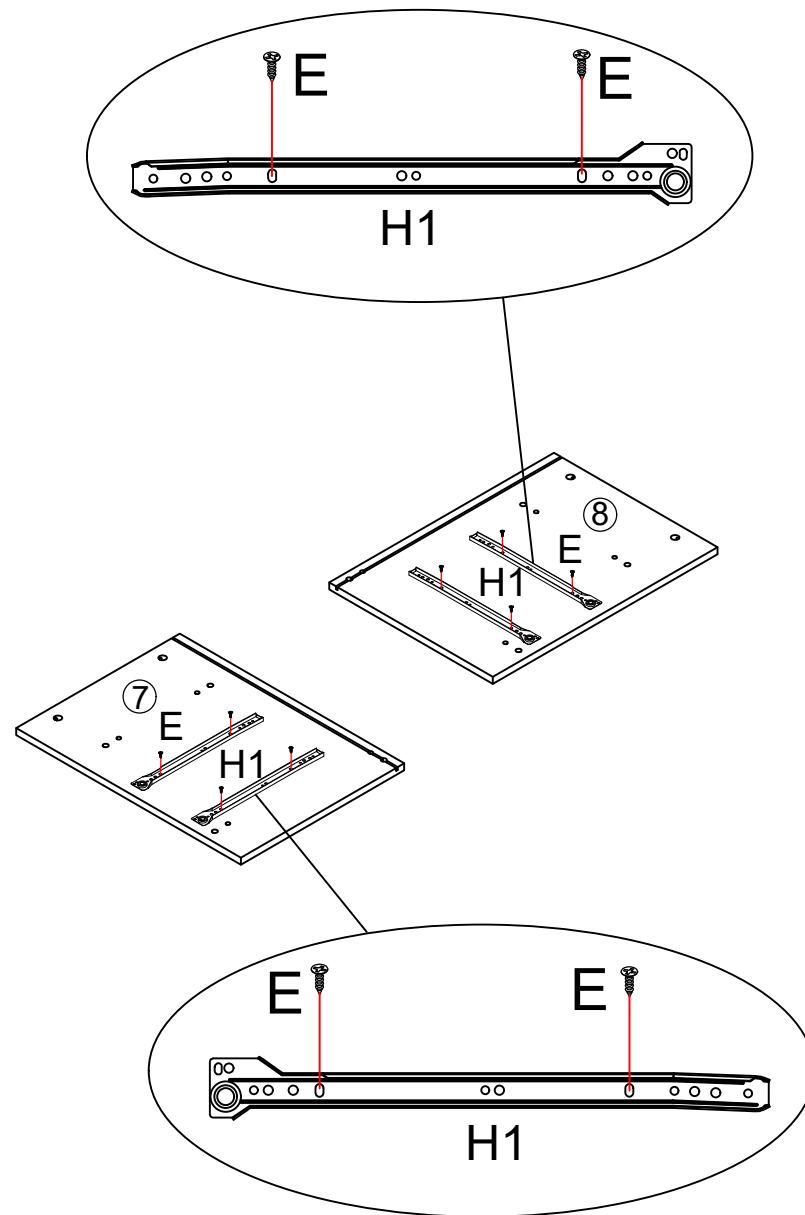
E*4 H1*1

9



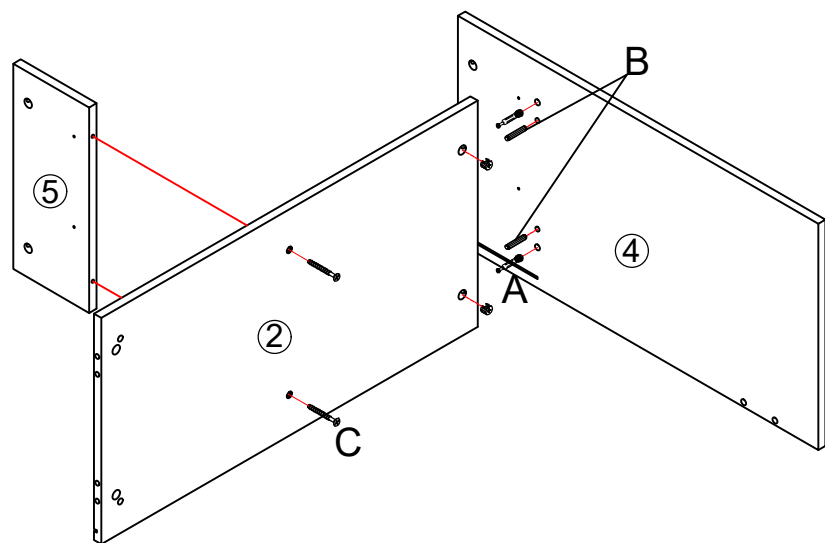
E*4 H1*1

10



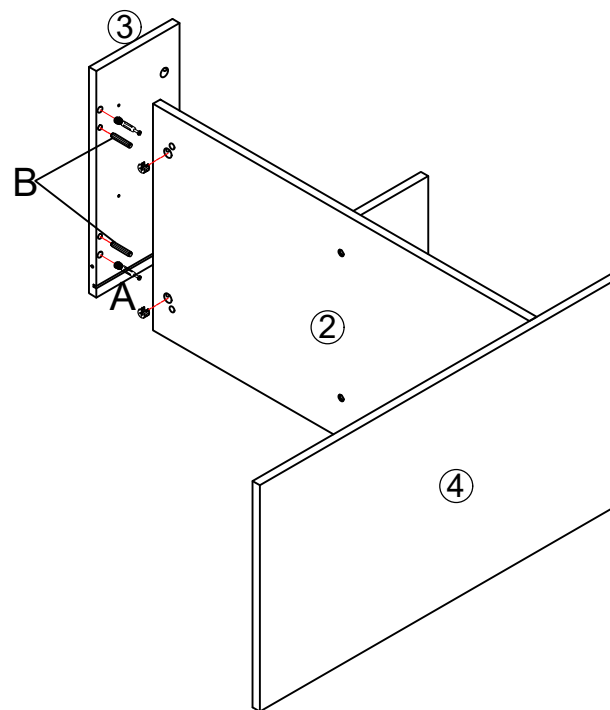
E*8 H1*2

11



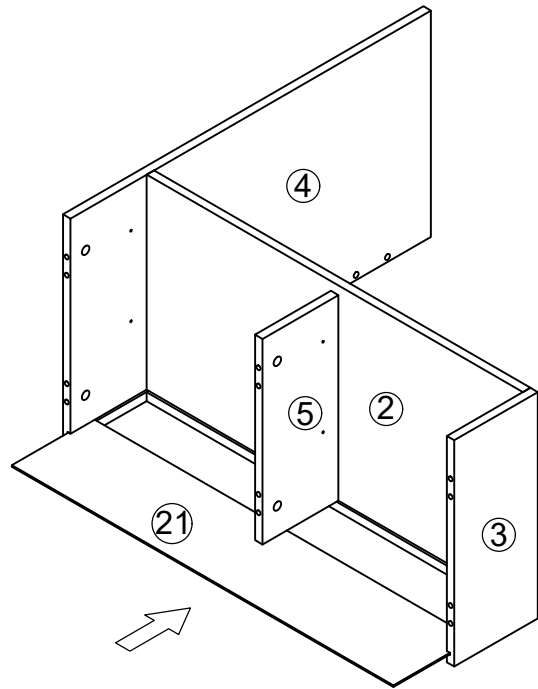
A*2 B*2 C*2

12

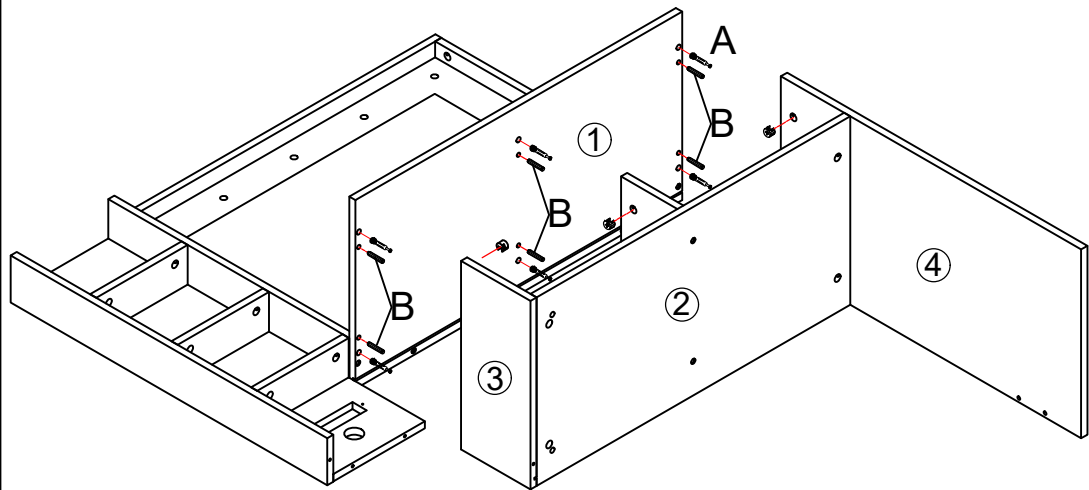


A*2 B*2

13

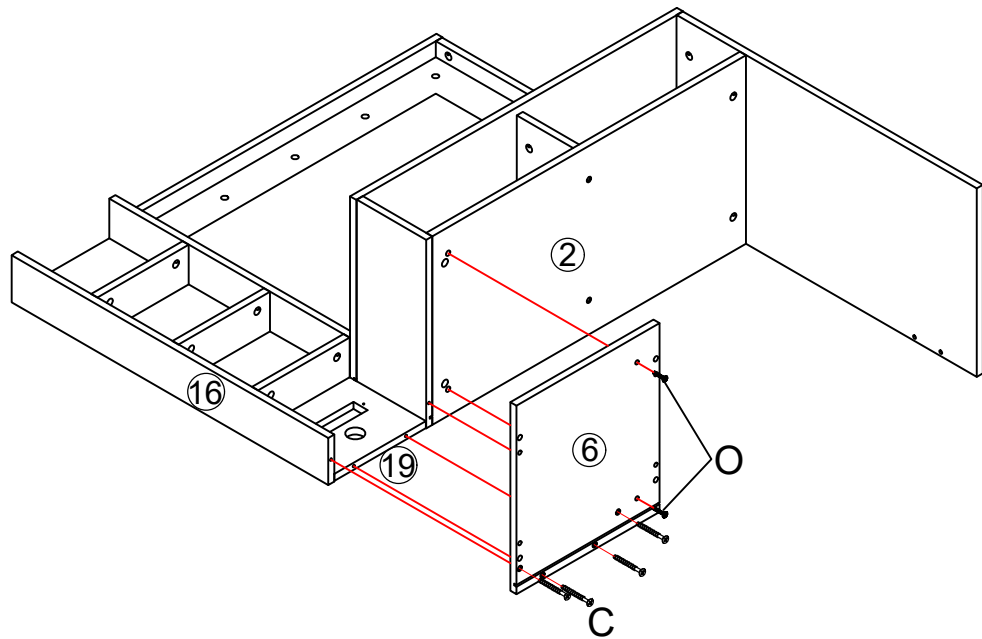


14



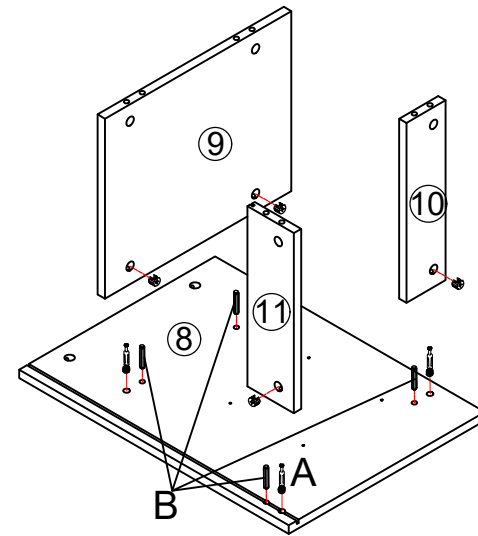
A*6 B*6

15



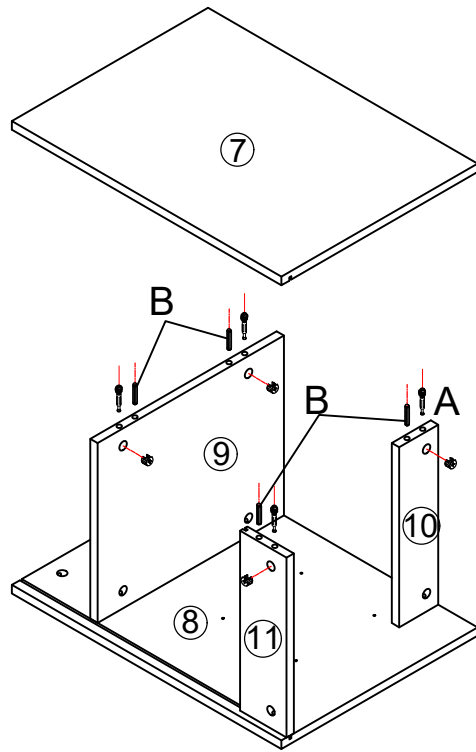
C*4 O*2

16



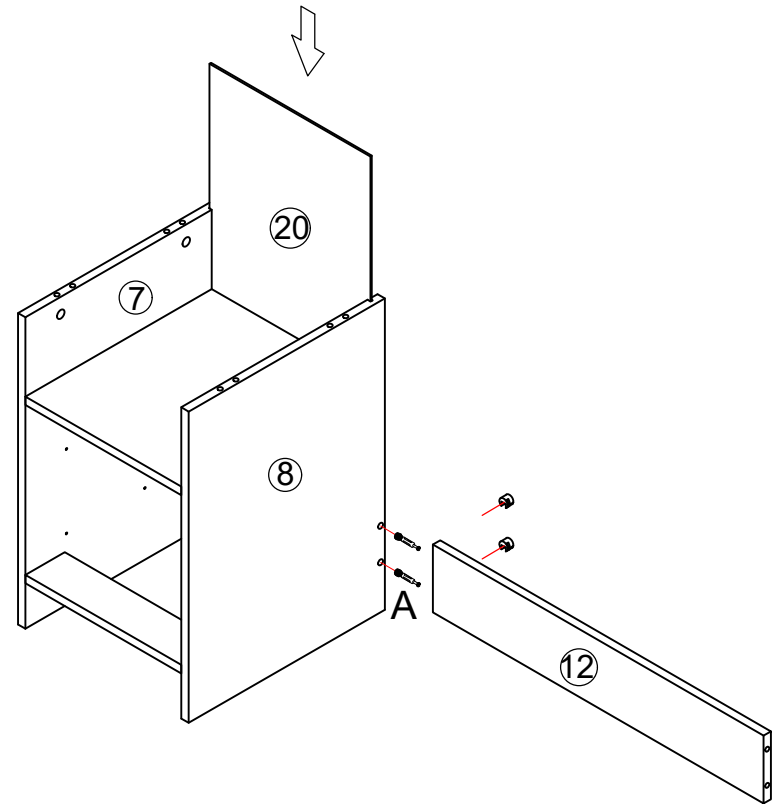
A*4 B*4

17



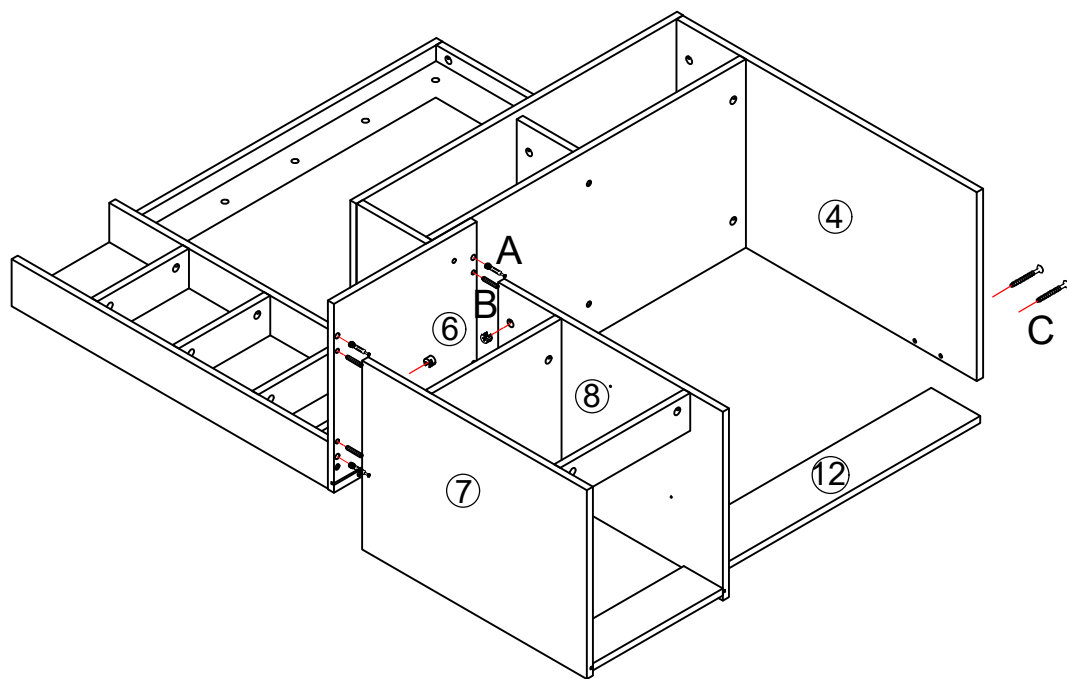
A*4 B*4

18



A*2

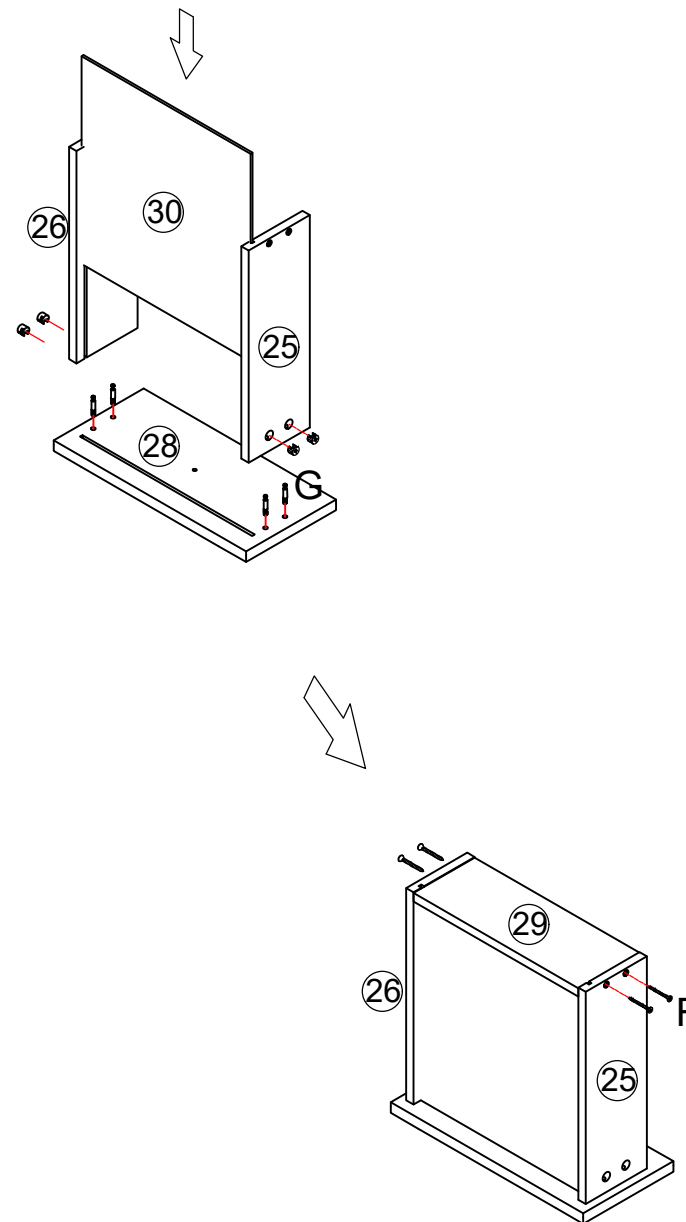
19



A*4 B*4 C*2

20

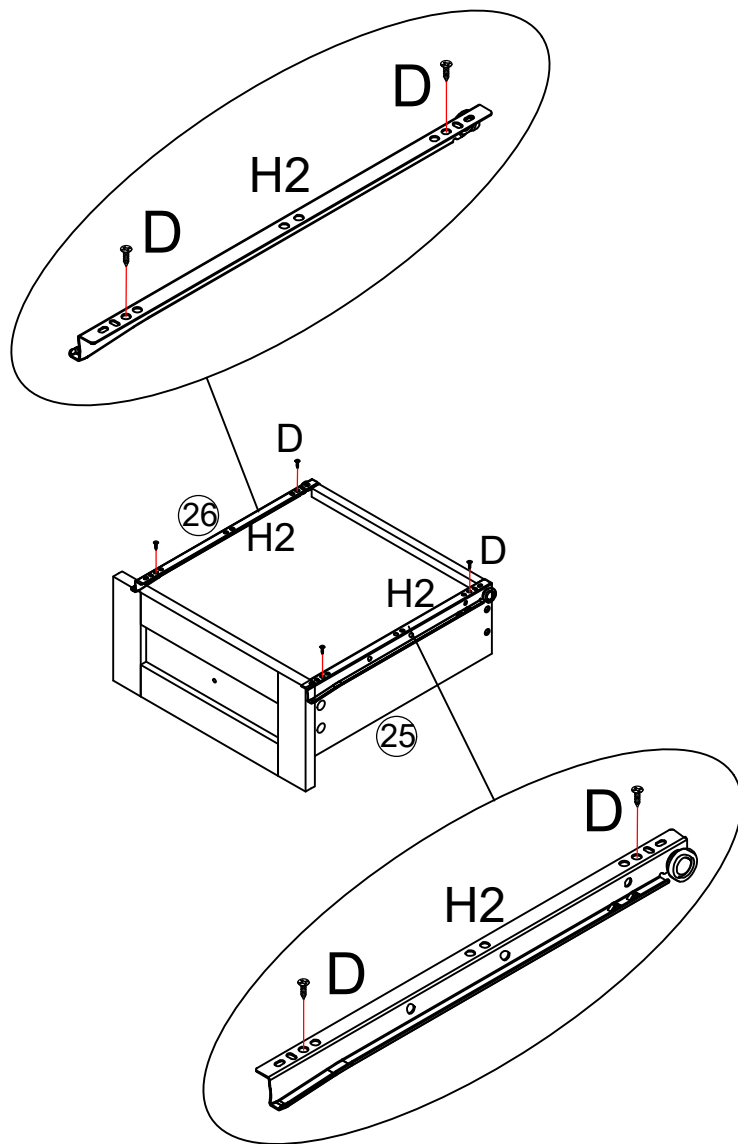
X2



F*8 G*8

21

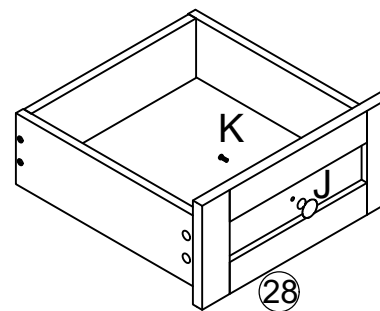
X2



D*8 H2*2

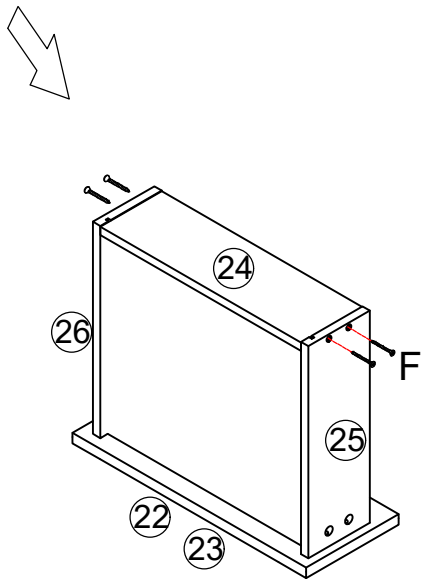
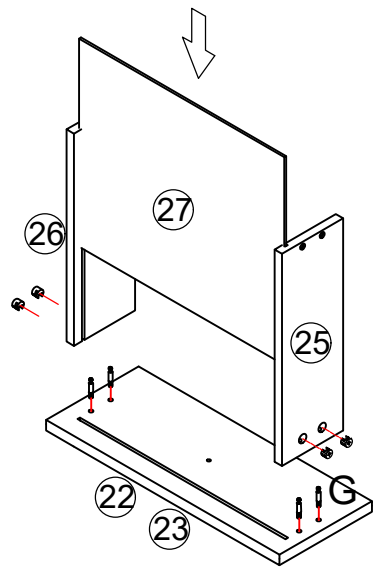
22

X2



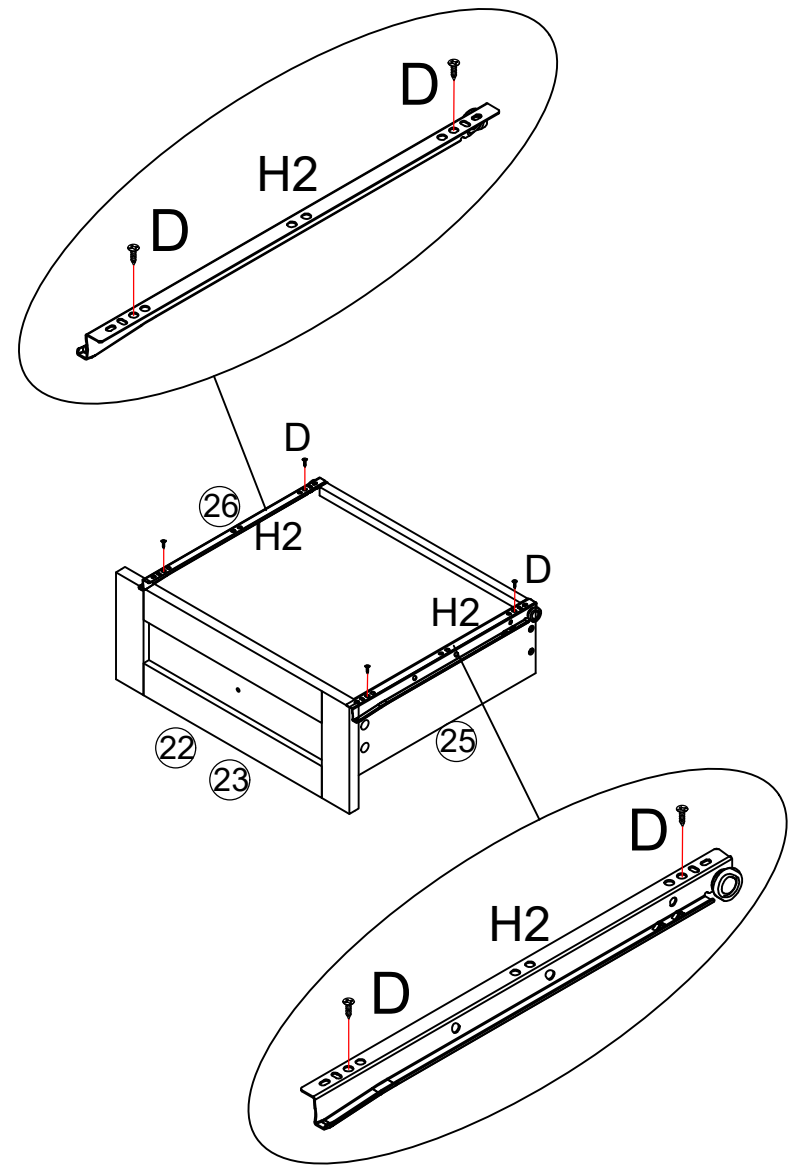
J*2 K*2

23



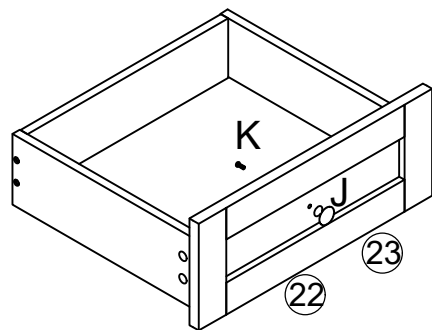
F*8 G*8

24



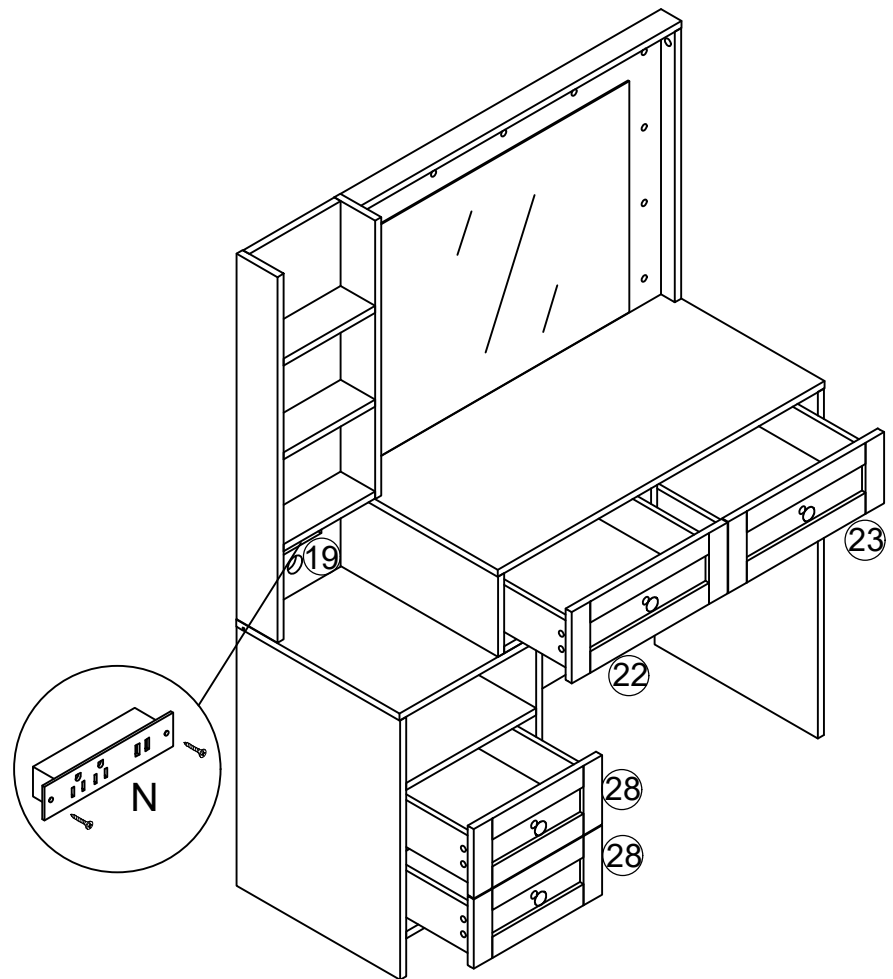
D*8 H2*2

25



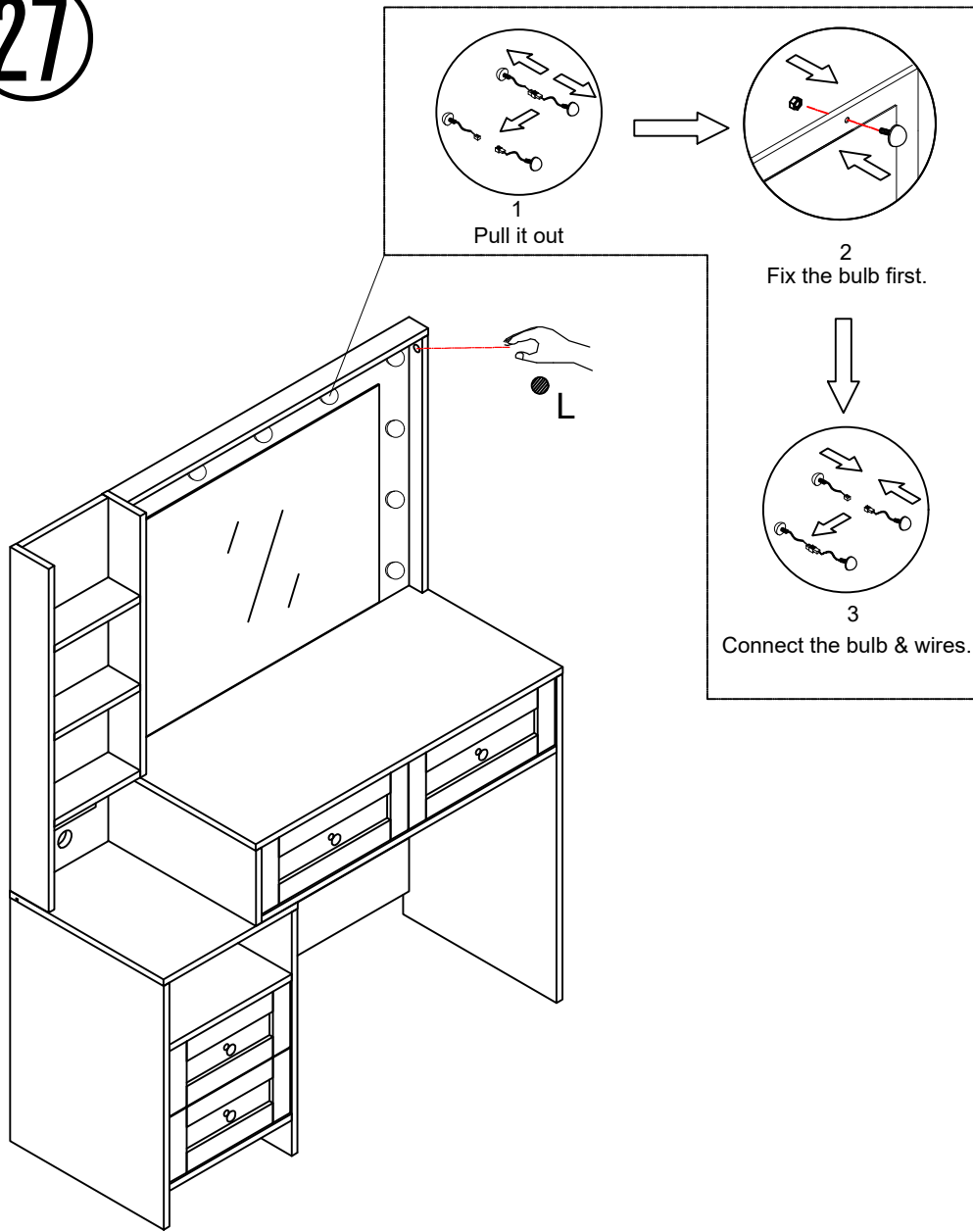
J*2 K*2

26



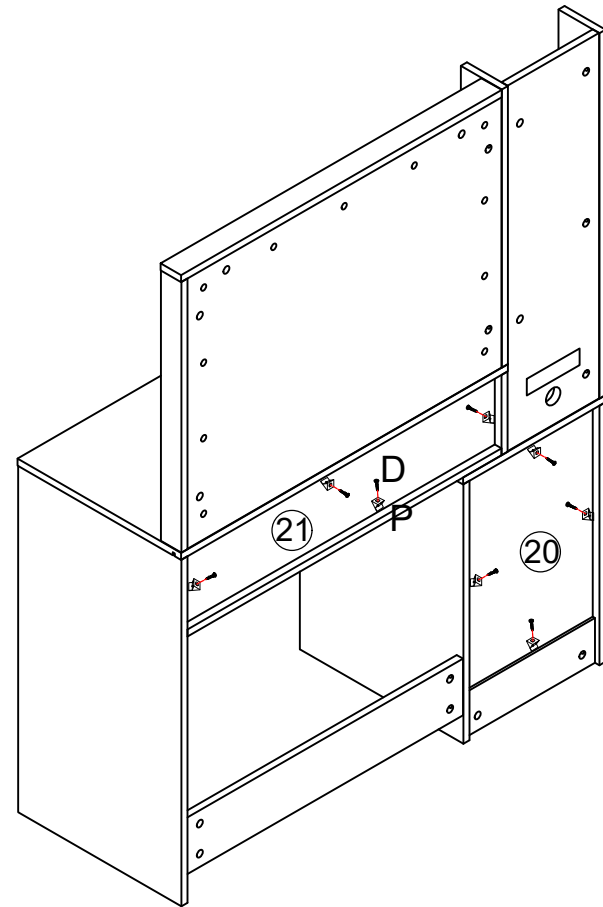
N*1

27



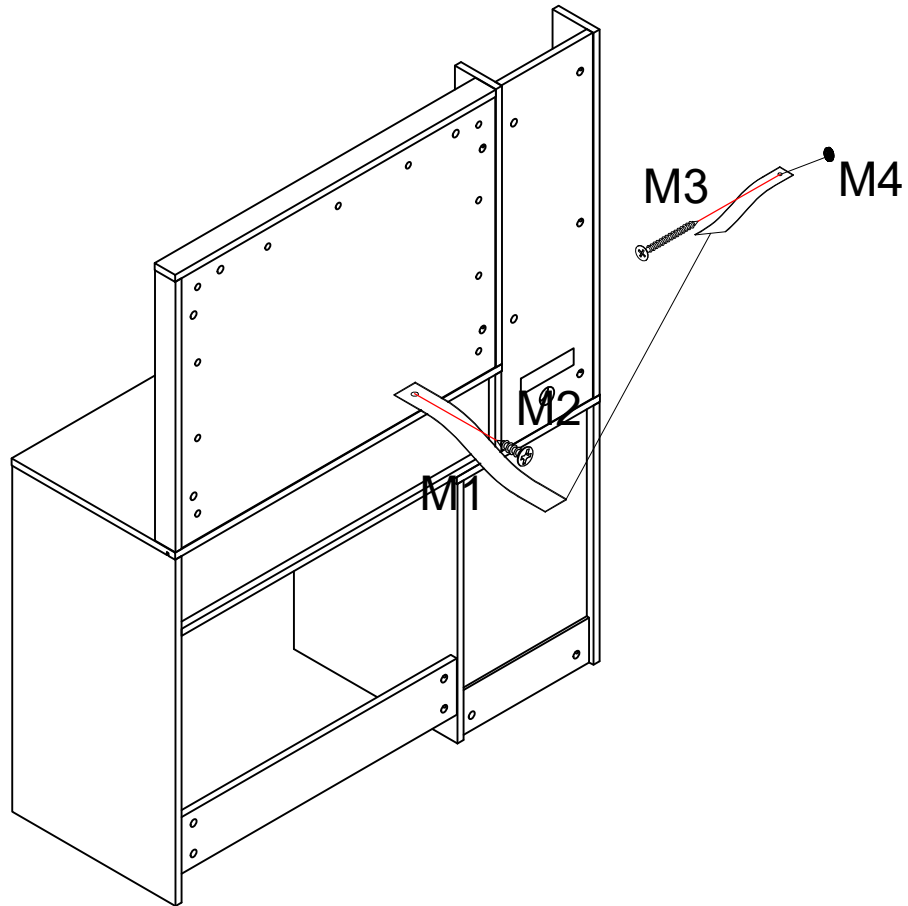
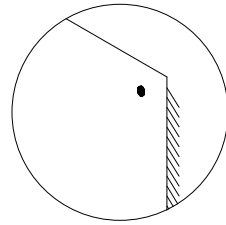
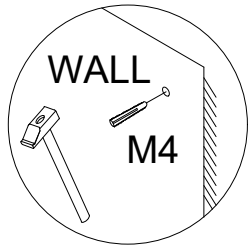
I*1 L*11

28



D*8 P*8

29



M*1

30

