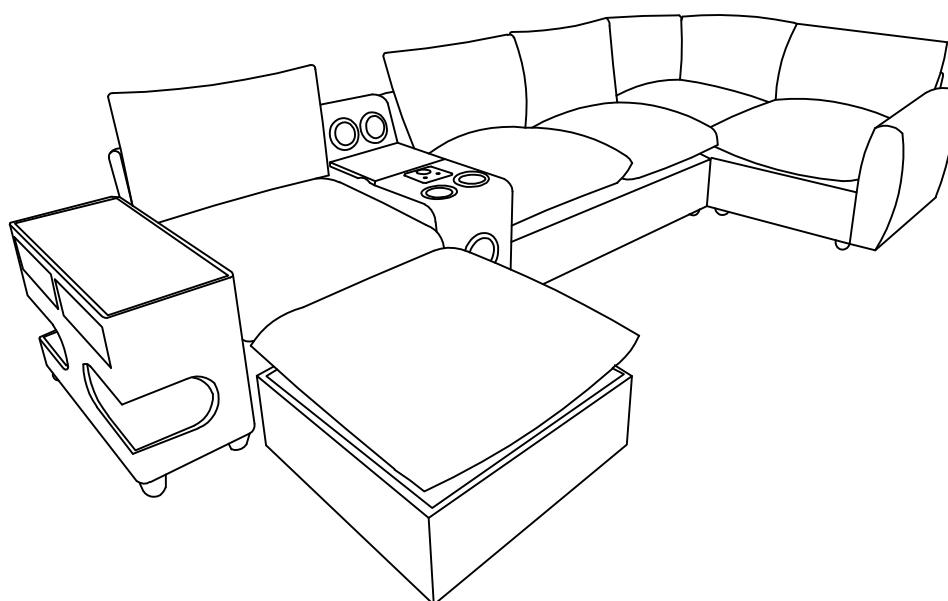


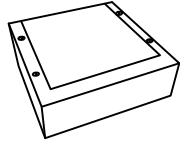
Sofa assembly instructions



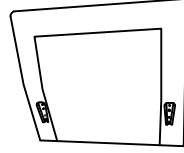
Single seat



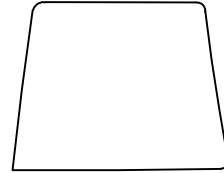
A*4



B*1



C*1



D*1



E*1



F*2

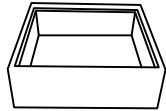


V*4

Ottoman



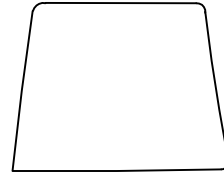
A*4



G*1



H*1



D*1

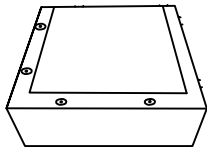


V*4

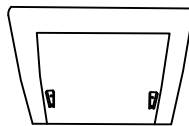
Corner Seat



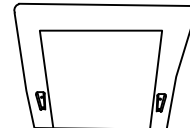
A*4



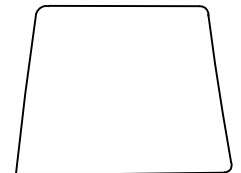
I*1



J*1



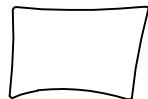
K*1



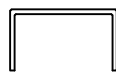
D*1



E*1



L*1



F*2

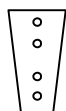


V*4

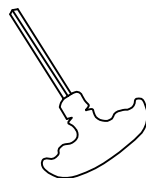
Armrest



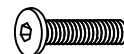
M*1



N*2



O*1



P*4

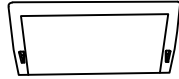
Double seat



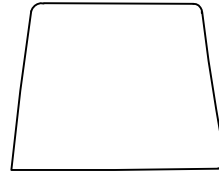
A*4



Q*1



R*1



D*2



E*2



F*2

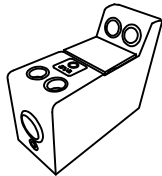


V*4

Versatile Console



A*4



S*1

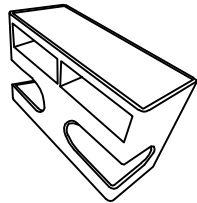


V*4

Pet cage



A*4



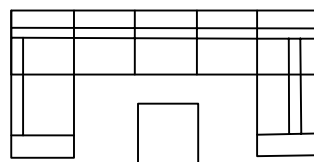
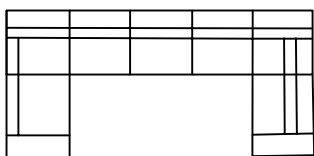
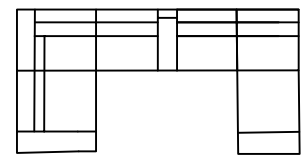
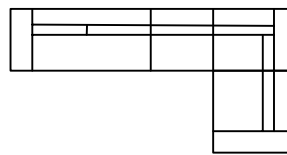
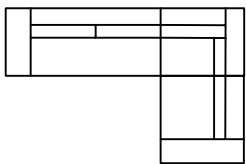
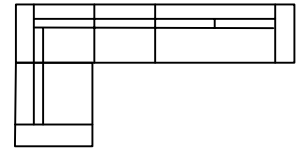
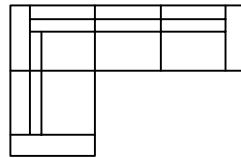
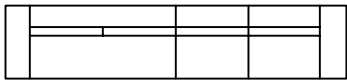
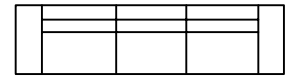
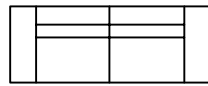
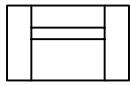
T*1



U*1



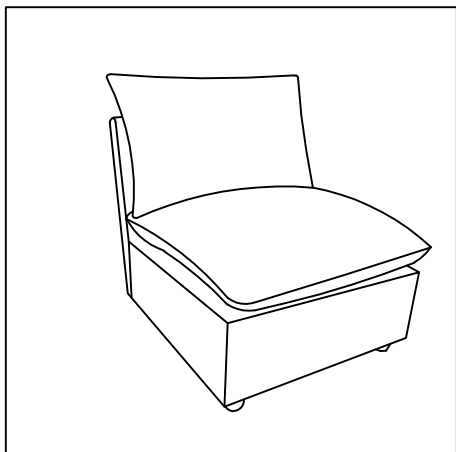
V*4



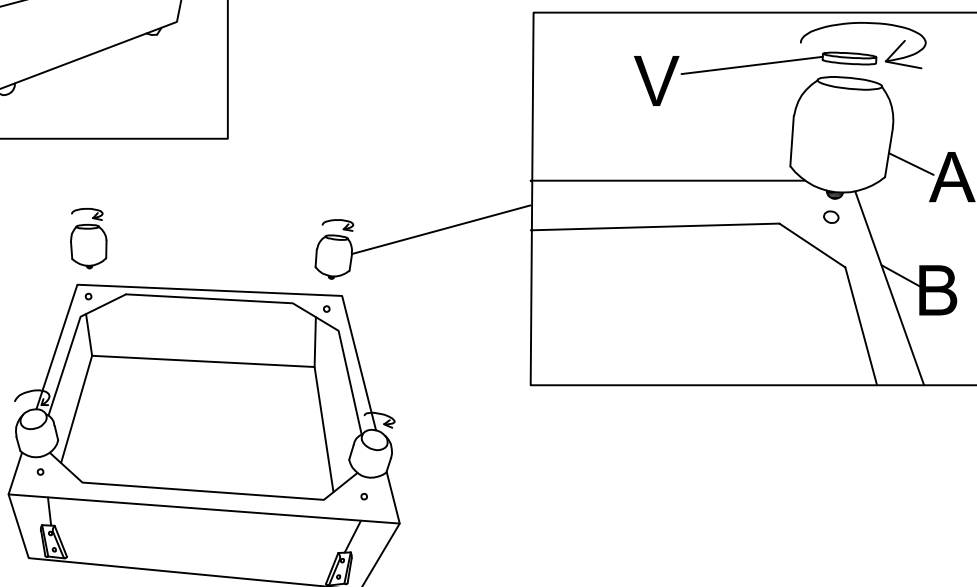
This manual provides assembly instructions for several modules of the modular sofa you may purchase. If you have any questions, please contact customer service for assistance.

Before assembly, please take out the sofa feet and hardware package from the bottom of the (B) sofa base.

Step 1

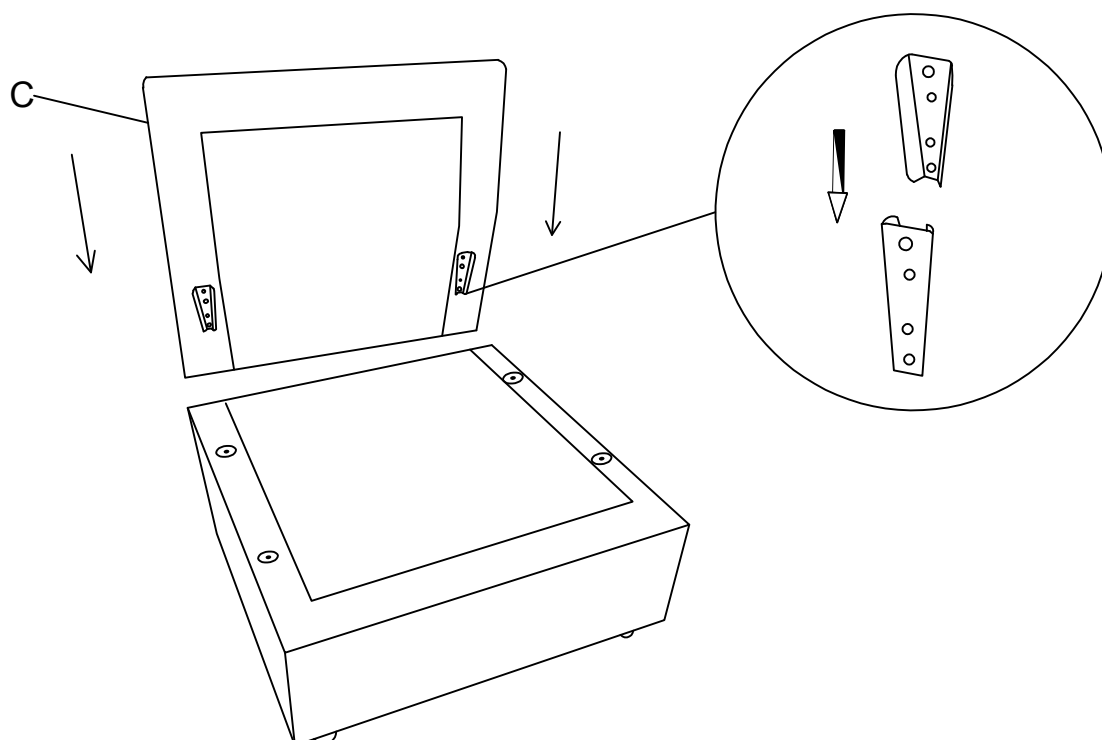


Turn over the (B) sofa base and install the (A) sofa feet.

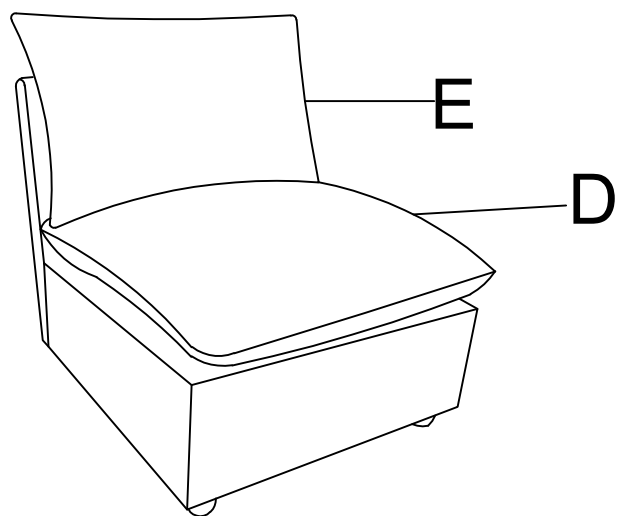


Step 2

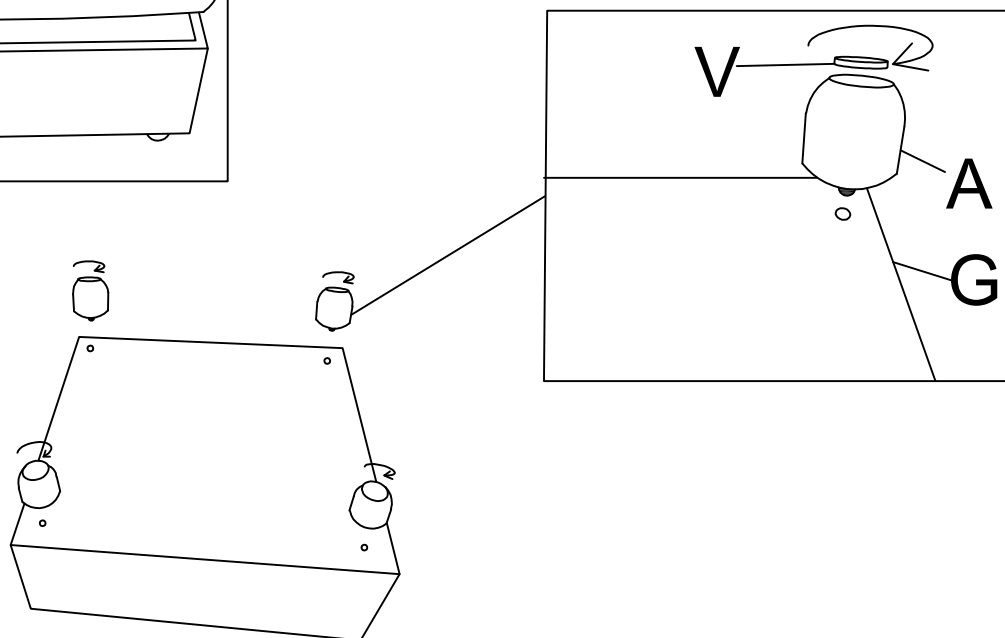
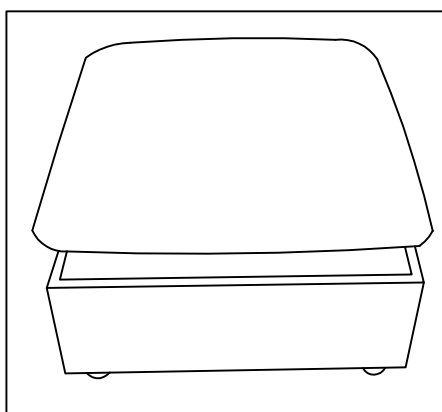
Insert the insert on the backrest (C) into the seat frame (B).



Put the seat cushion and back cushion onto the (B)sofa base, then you have the single sofa done.

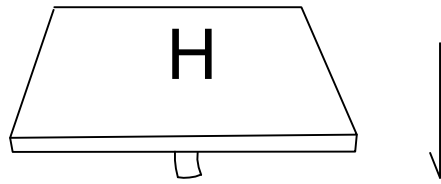


Step 3

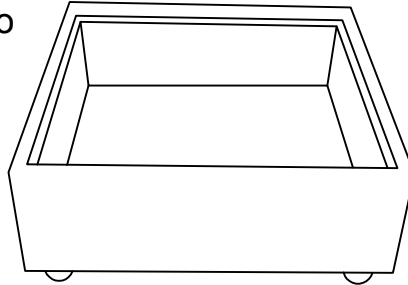


Turn over the (G)sofa base and install the (A)sofa feet.

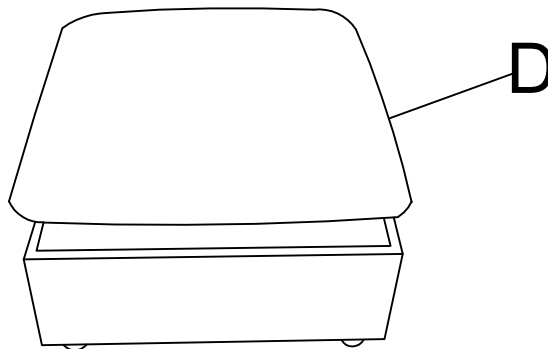
Step 4



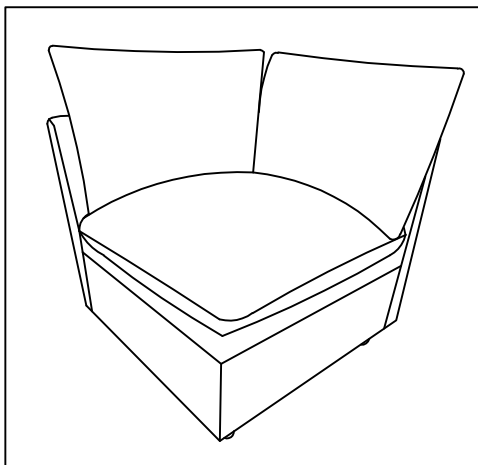
Put the (H) seatboard onto the (G) sofa base.



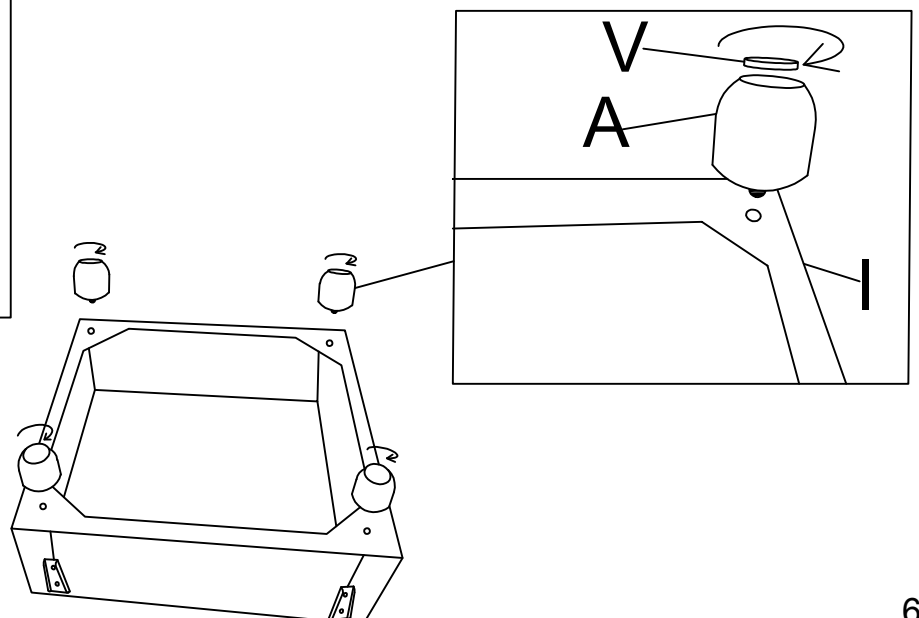
Then place the seat cushion on the base.
You have the ottoman done.



Step 5

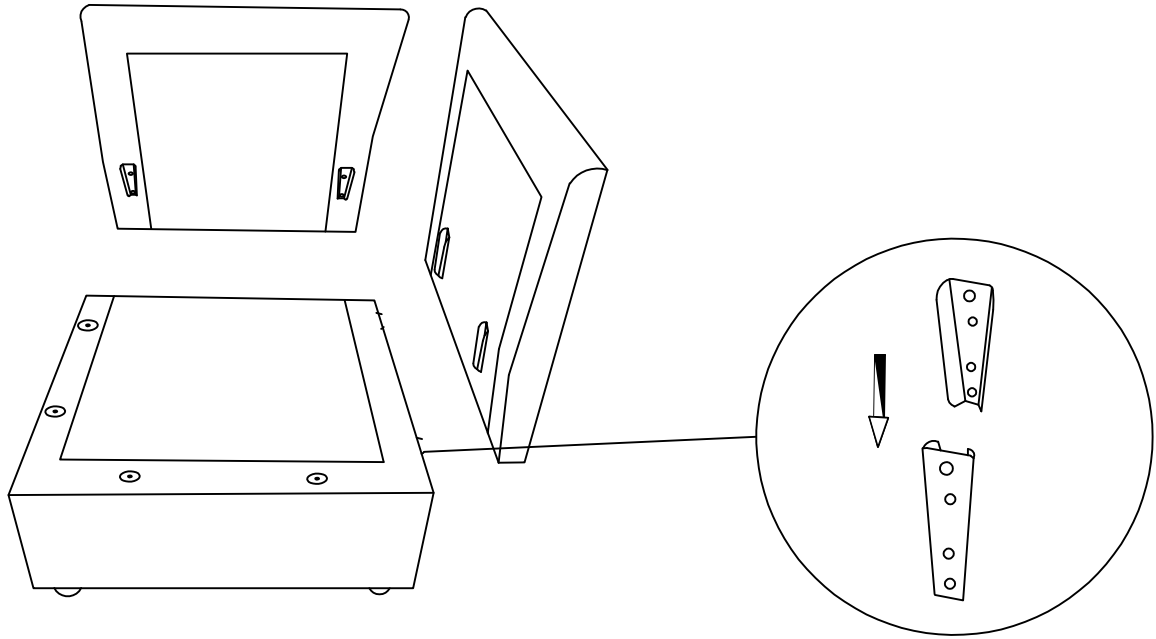


Turn over the (I) sofa base and install the (A) sofa feet.



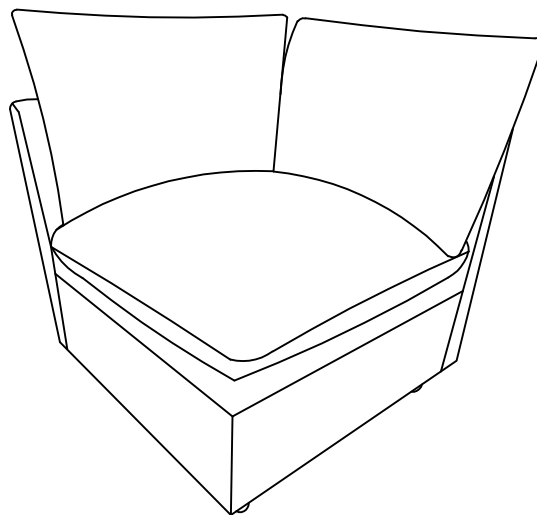
Step 6

Insert the (K)smaller backrest into the(I)sofa base first,and then insert the(J)bigger corner armrest.

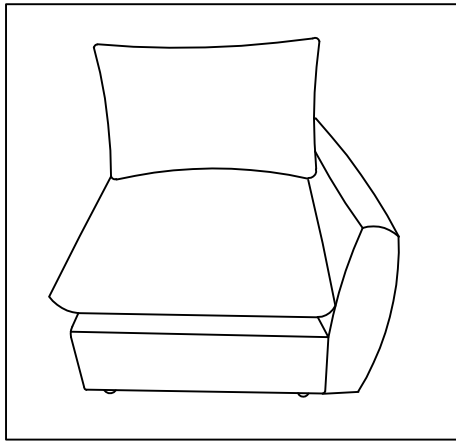


Step 7

Put the seat cushion and back cushion onto the (I)sofa base, then you have the corner seat done.

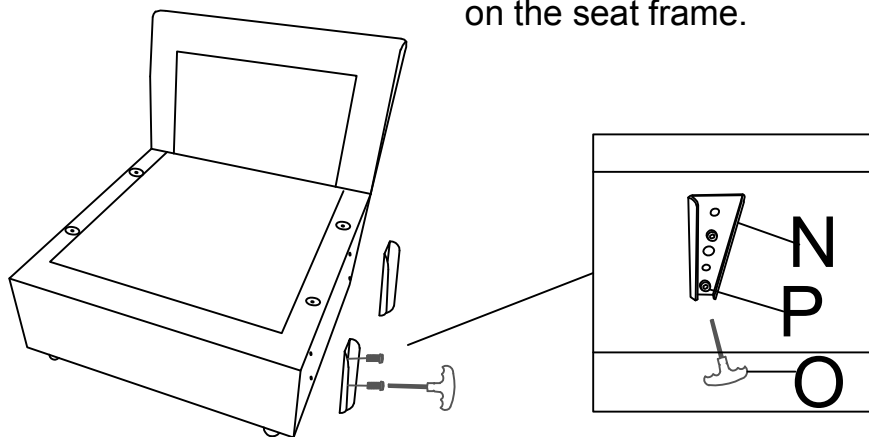


Step 8

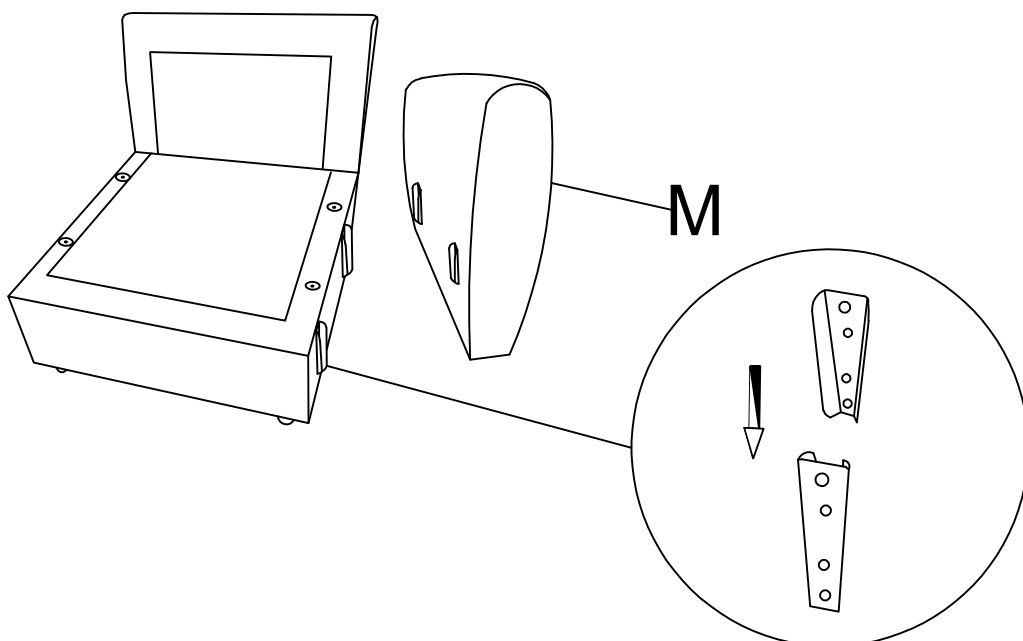


Step 9

Use bolts (O) to screw the insert (N) on the seat frame.

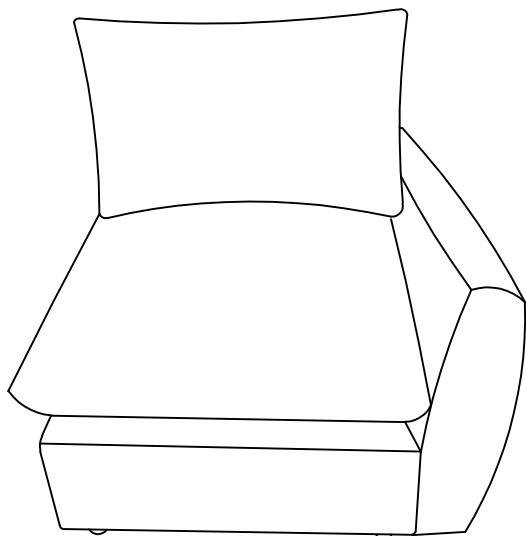


Step 10 Then insert the (M) armrest into the (B) sofa base.

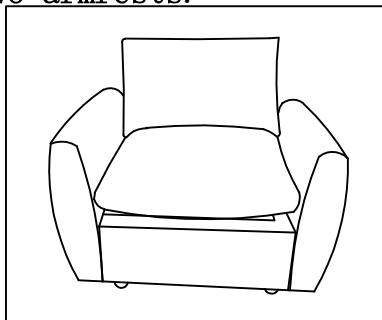


Step 11

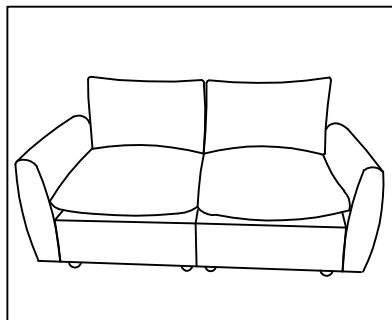
In this way, the armrest is assembled.



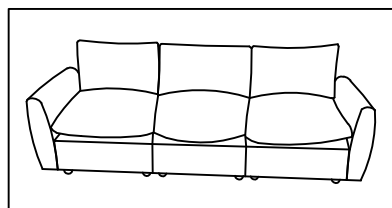
If you need one seat or two seats or three seats of sofa, Please insert two armrests.



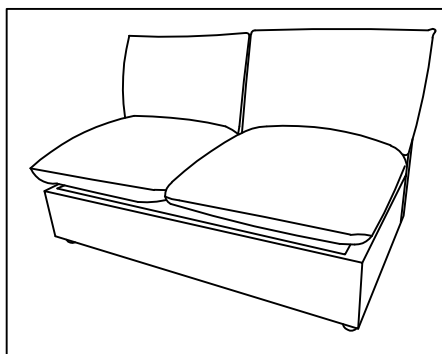
or



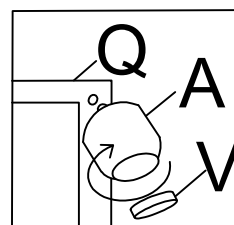
or



Step 12

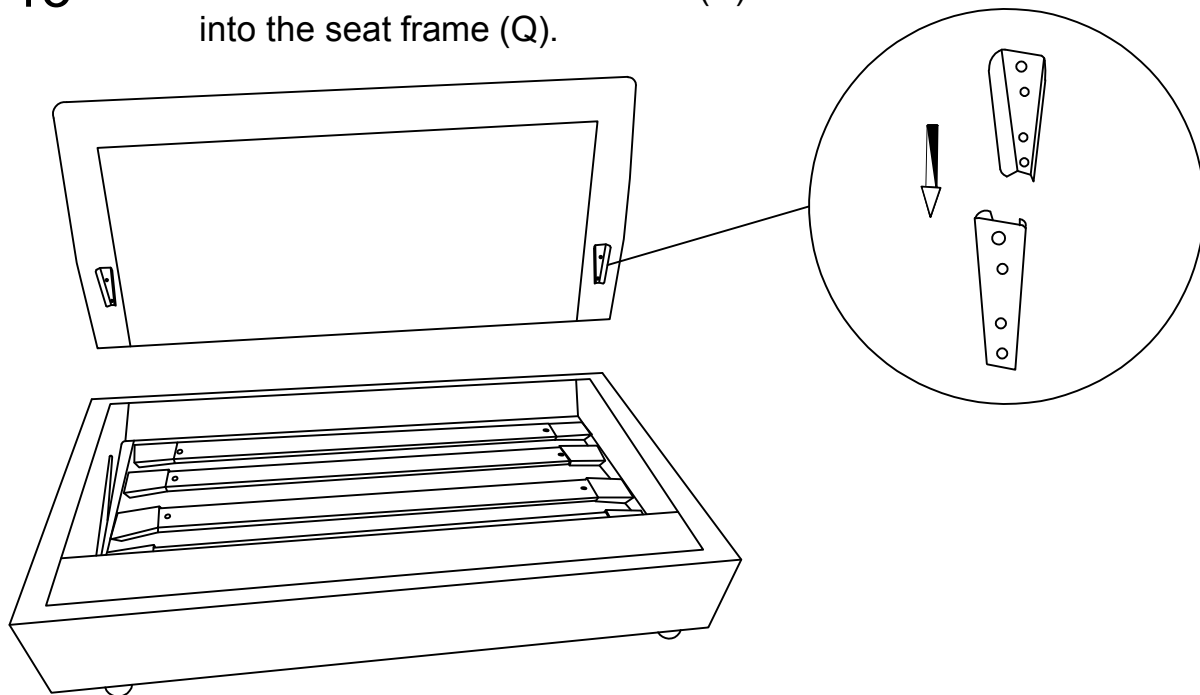


Turn over the(Q)sofa base and install the(A)sofa feet.

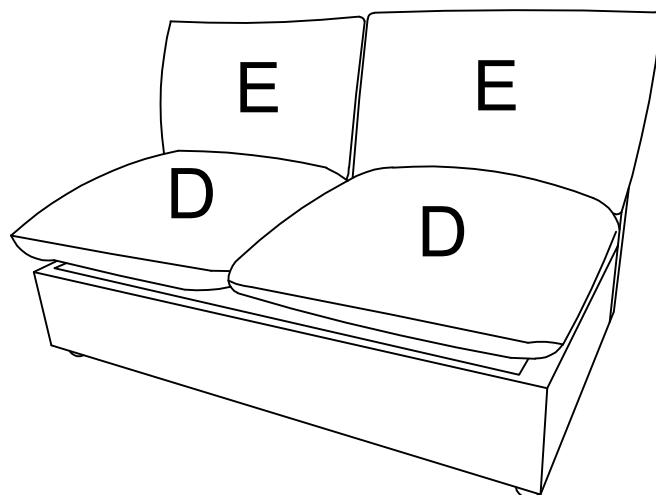


Step 13

Insert the insert on the backrest (R) into the seat frame (Q).

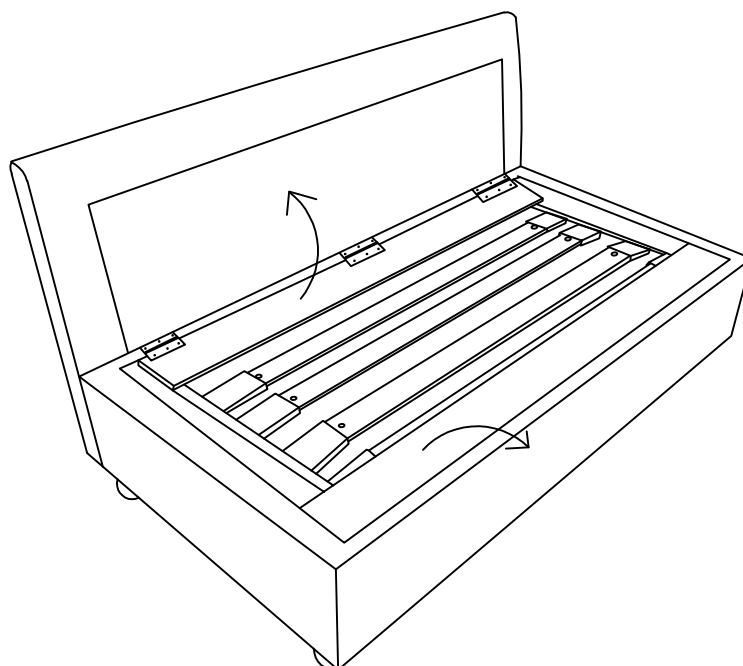


Step 14



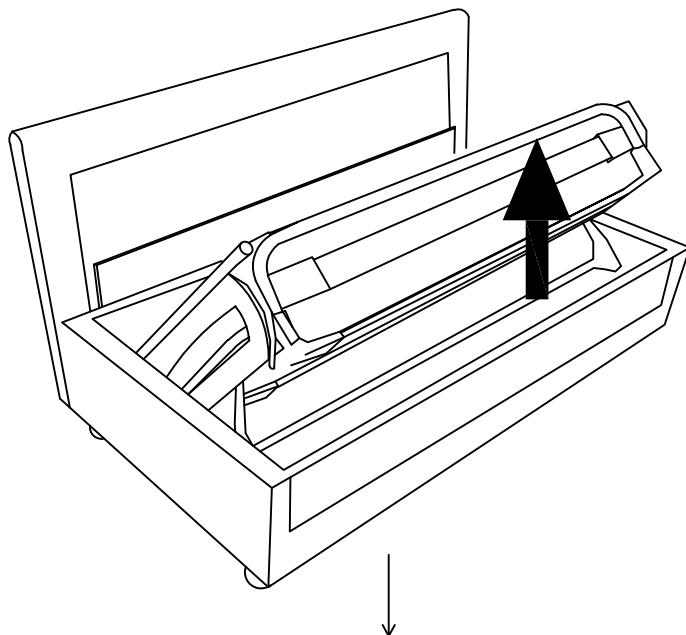
Put the seat cushion and back cushion onto the (Q) sofa base, then you have the sofa done.

Step 15

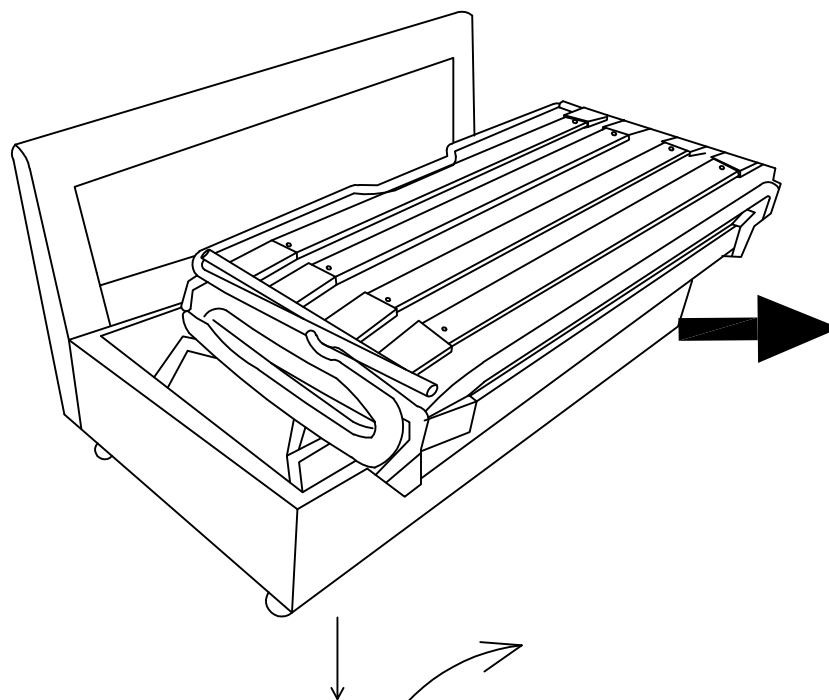


Open the baffle and the fabric strip.

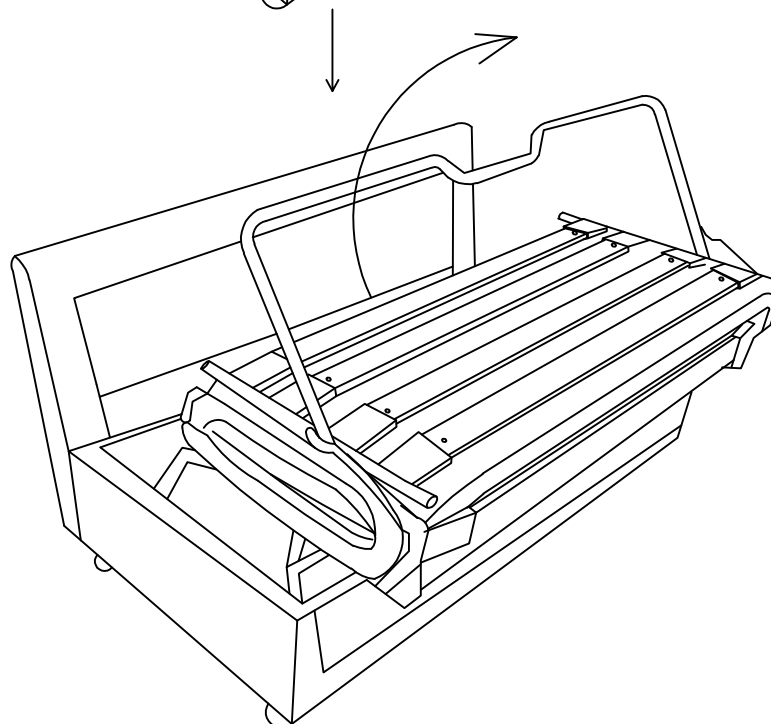
Lift the metal frame up.

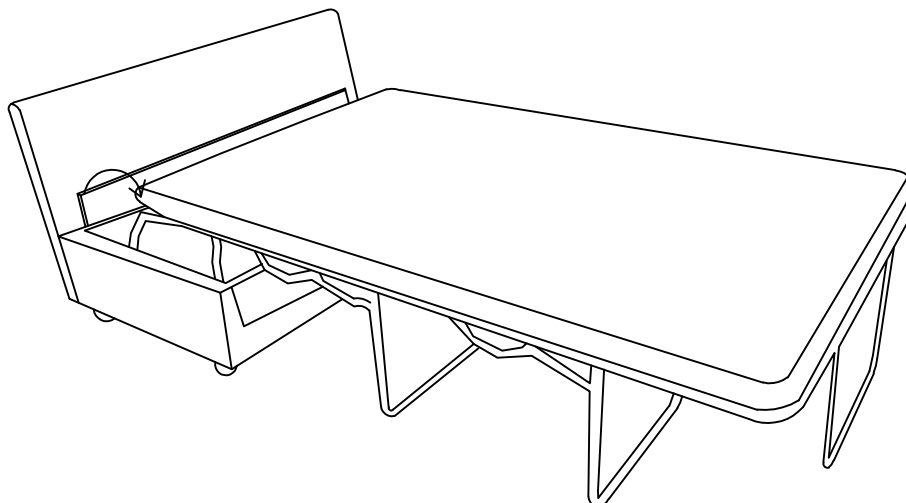
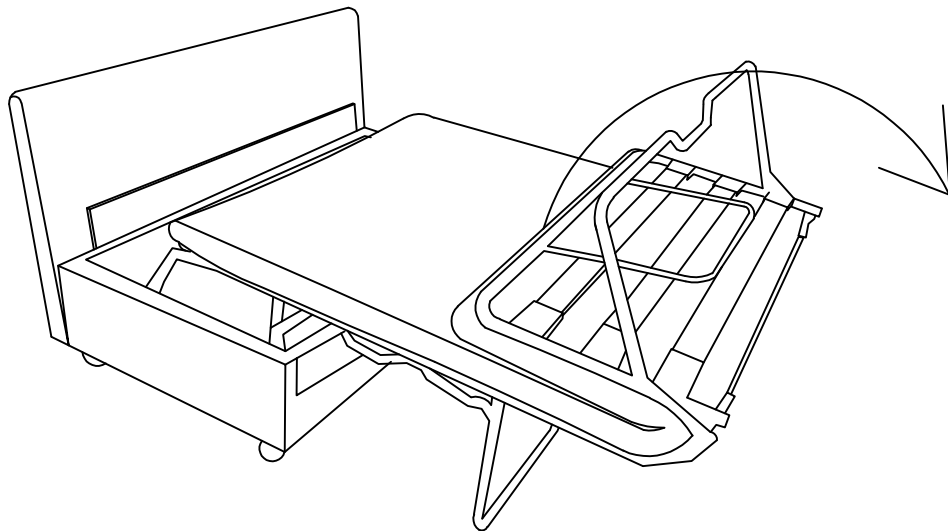


Pull the metal frame forward.

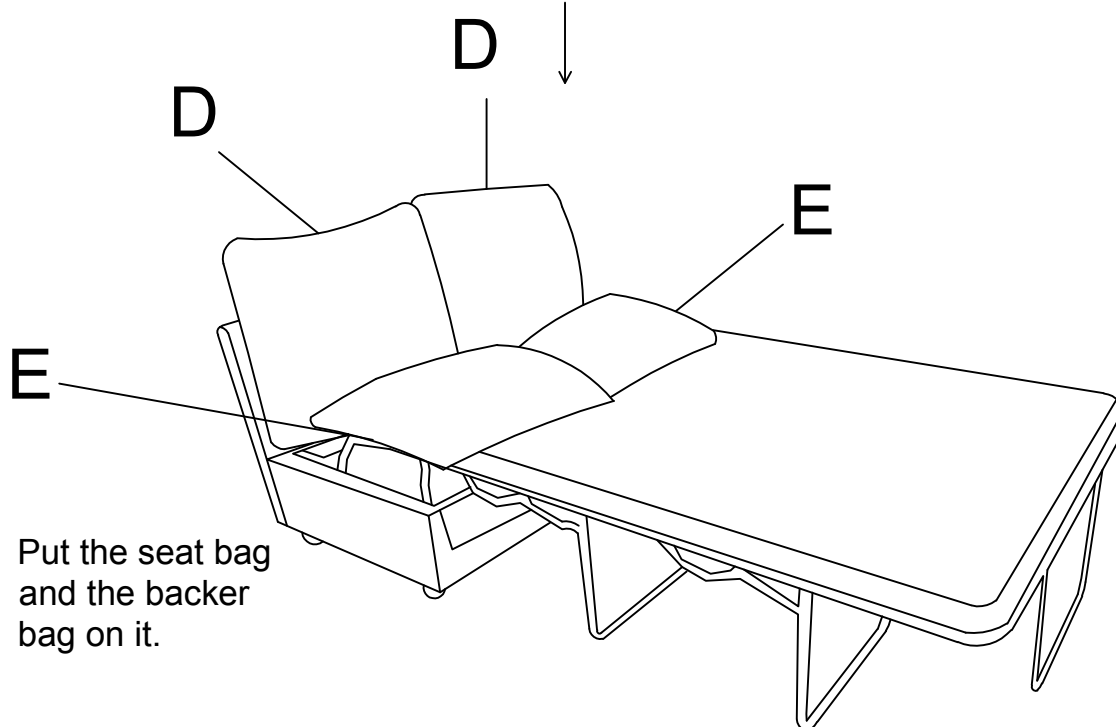


Open the metal frame.





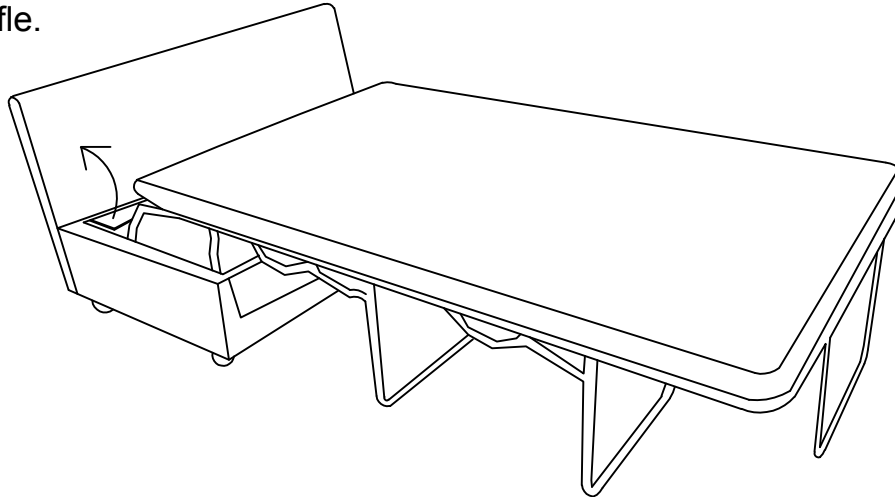
Put down the baffle.



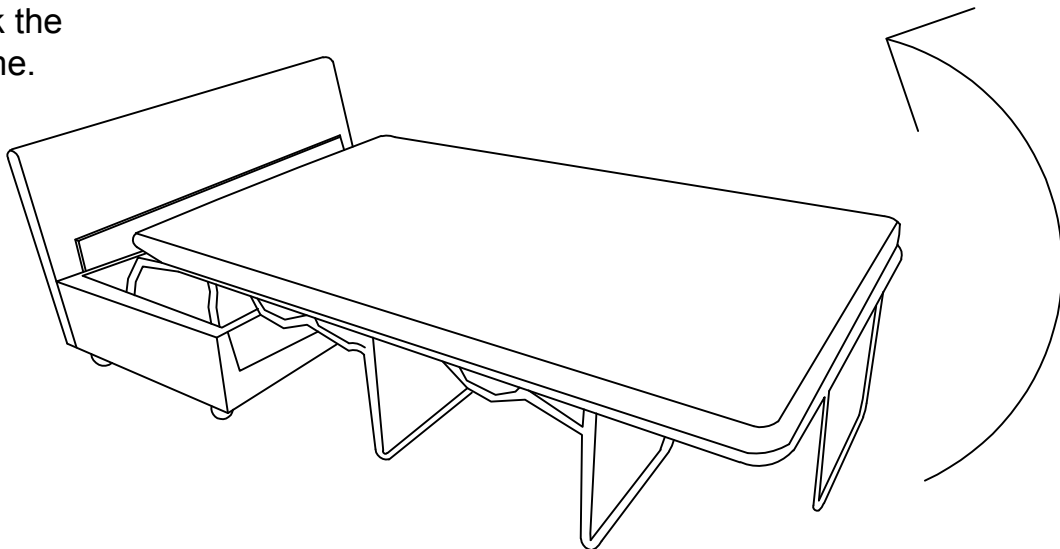
Put the seat bag and the backer bag on it.

Step 16

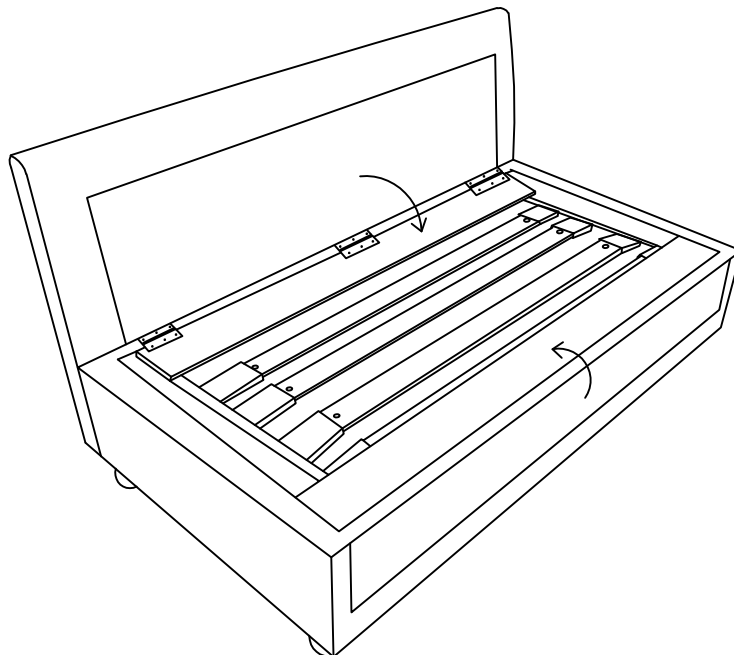
Retract the baffle.

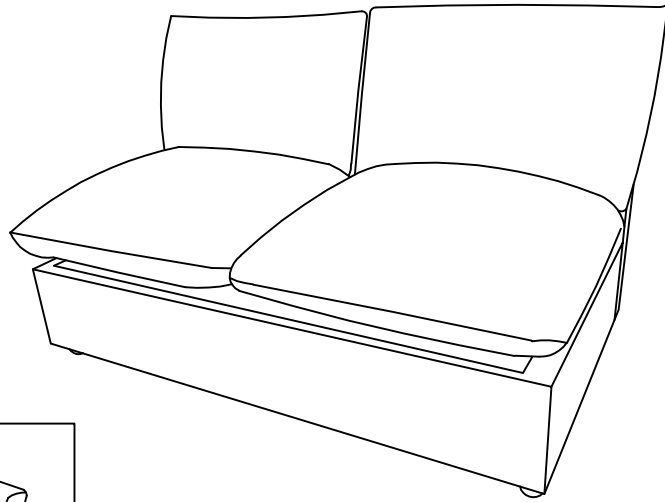


Take back the metal frame.

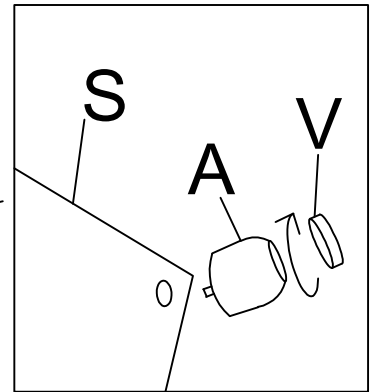
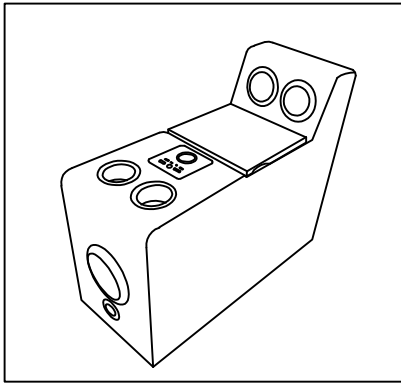


Put down the baffle and paste the fabric strip.

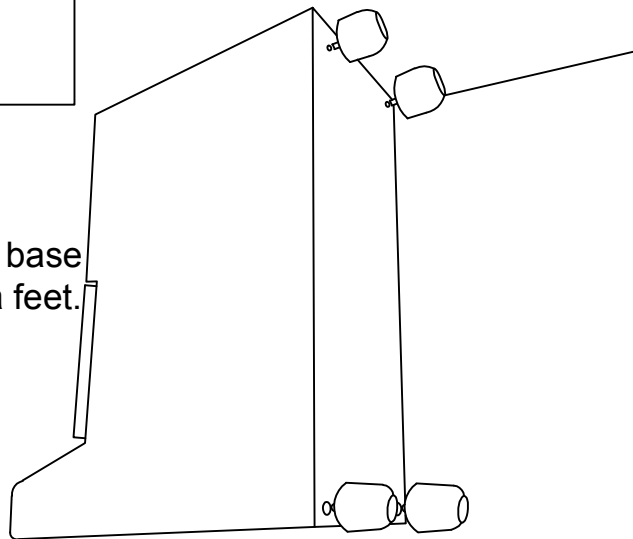




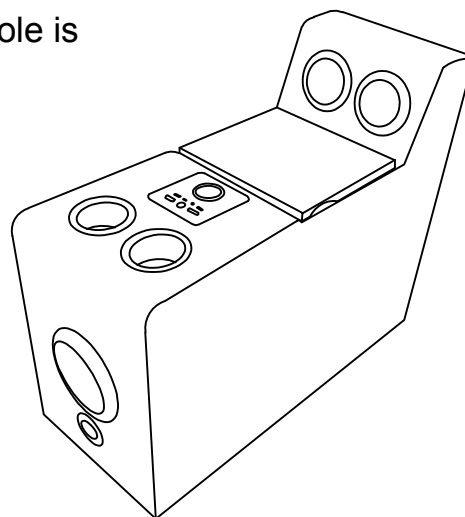
Step 17



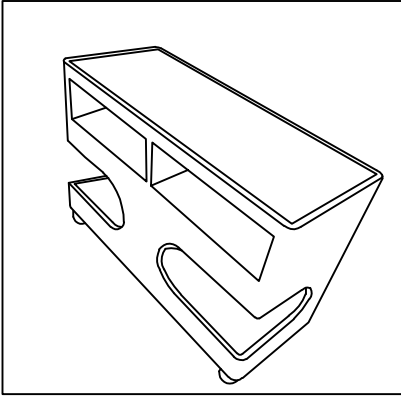
Turn over the (S) sofa base and install the (A) sofa feet.



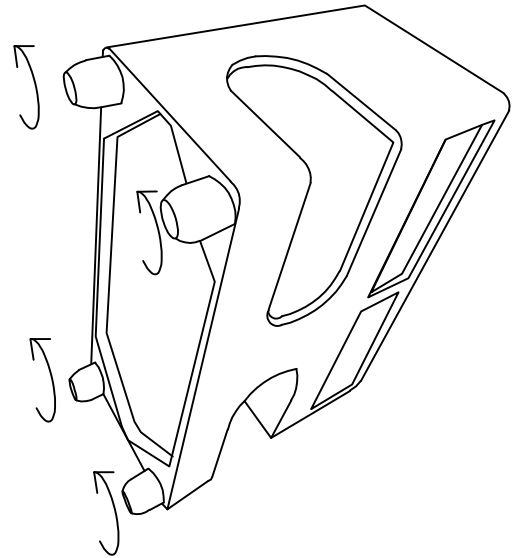
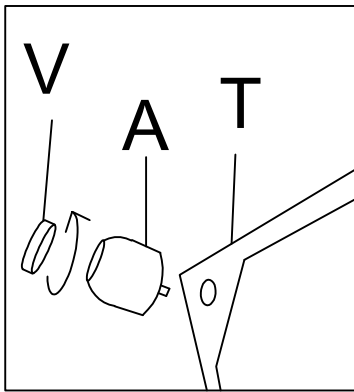
In this way, the Versatile Console is assembled.



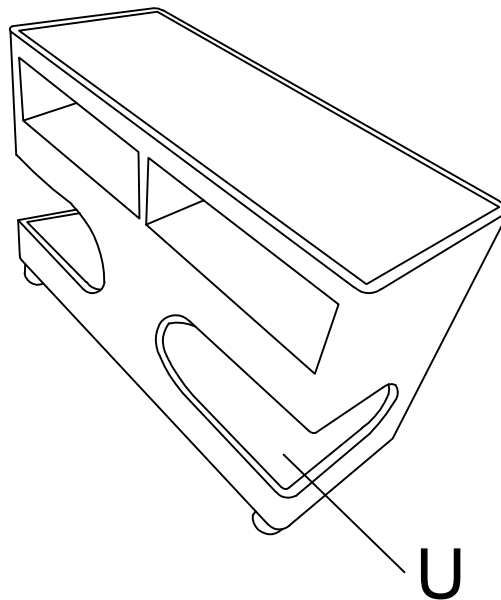
Step 18



Turn over the (T) sofa base
and install the (A) sofa feet.

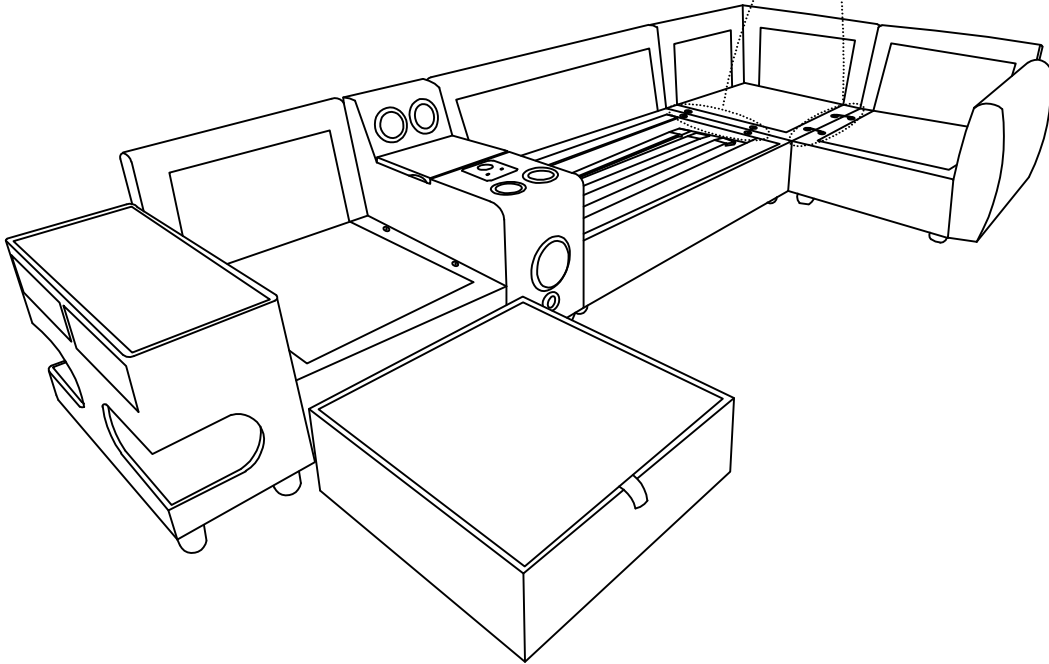
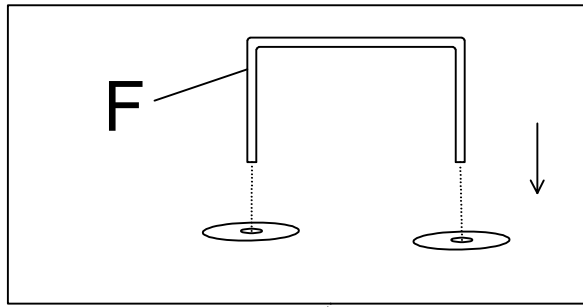


Step 19



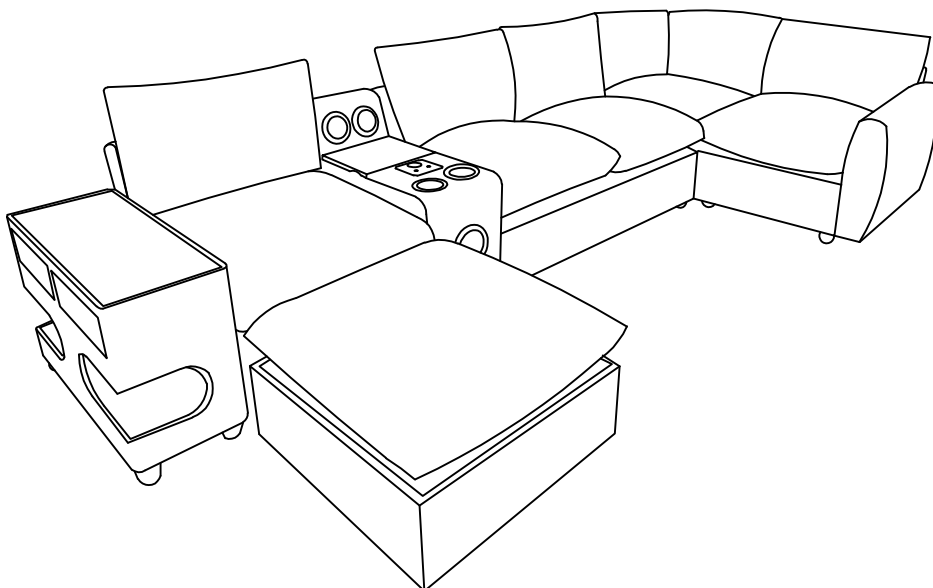
Step 20

Connect the sofa bases with the (F)U-shaped hardware. The Versatile Console and the pet cage do not need to be connected.



Step 21

Put the seat bag and the backer bag on it.



Step 22

You can also open the metal frame.

