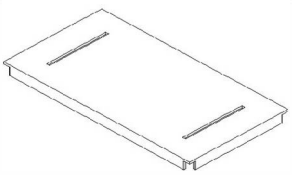
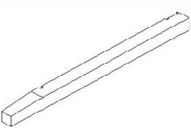
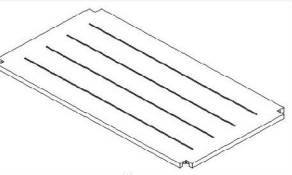
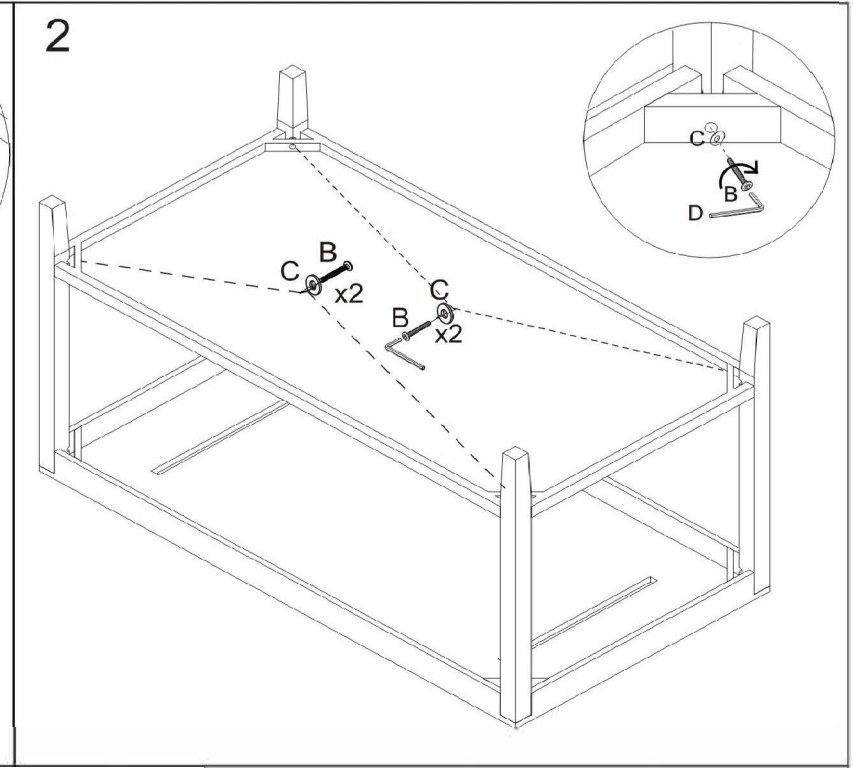
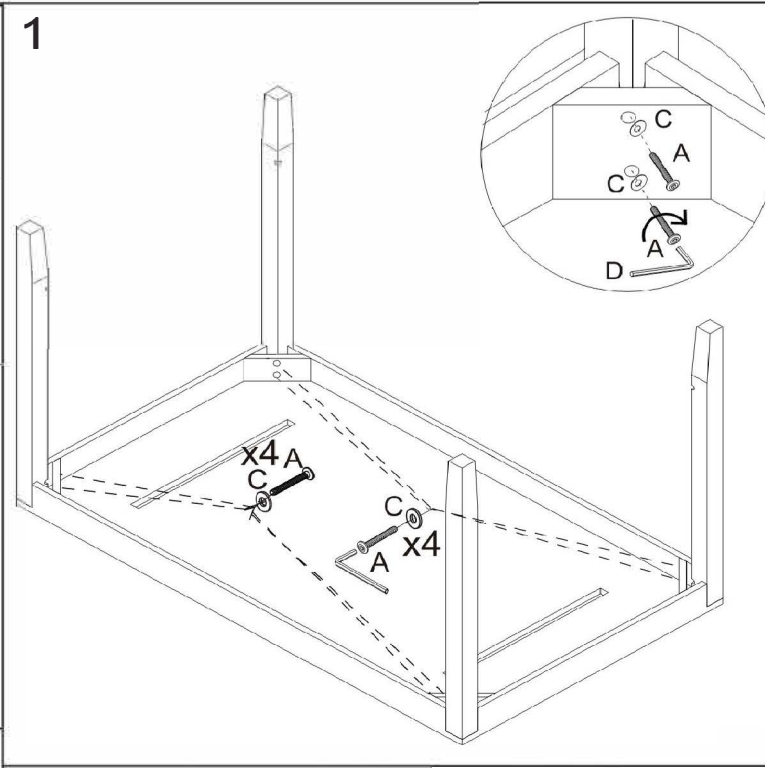

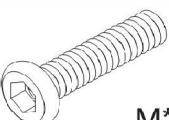

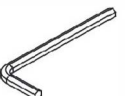
	x1
	x1
	x4
	x1



 M* 30	Ax8
 M* 45	Bx4
	Cx12
	D*1

