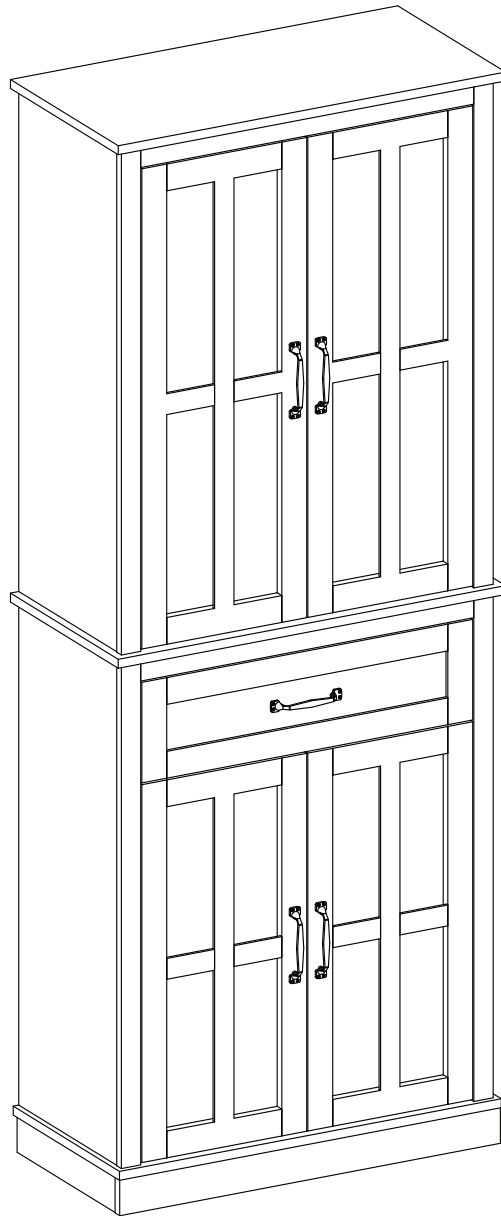


Cabinet > Manual



Thank you for purchase on our products. Please contact us if you have difficulty with assembly or need replacement parts. Our customer service is here to assist you. Please attach your User Name or Order ID so that we can assist you better.

Vielen Dank für Ihren Kauf von uns Produkten. Bitte kontaktieren Sie uns, wenn Sie Probleme mit Montage haben oder Ersatzteile benötigen. Wir Kundenservice ist für Sie da. Bitte geben Sie Ihren Benutzernamen oder Ihre Bestellnummer an, damit wir Sie besser unterstützen können.

EN

WARNING

Serious or fatal injury may occur from unexpected assembly or use.

1. During the assembly process, keep all parts away from babies or children.
2. Always securely fix this product to the wall. Make sure the wall area to be drilled is free from hidden electrical wires, water and gas pipes.
3. Use of tip-over restraints may only reduce, but not eliminate the risk of tip-over.
4. Unless specially designed to accommodate, do not set heavy objects on top of this product.
5. Place the heaviest items on the lowest shelf.
6. Never allow children to climb or bang on drawers, doors or shelves.

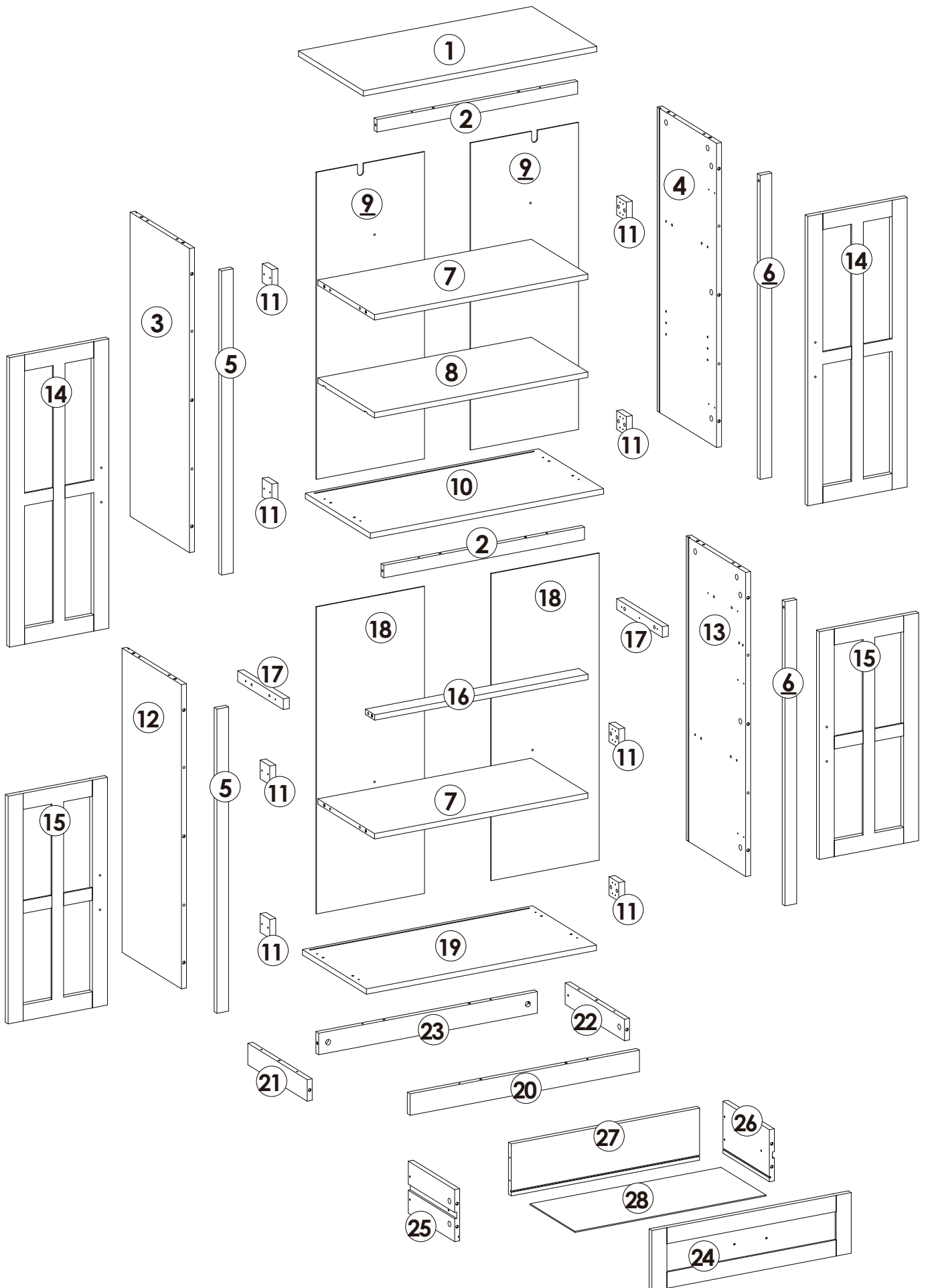
DE

WARNUNG

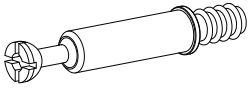

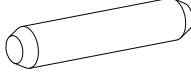
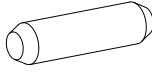
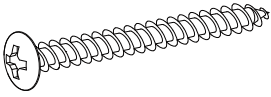
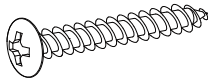
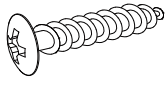
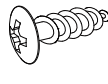
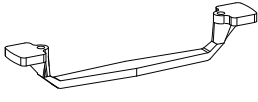
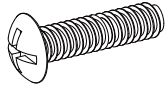
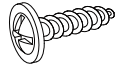

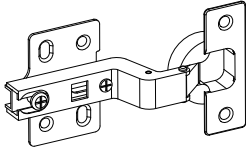
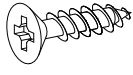
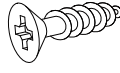
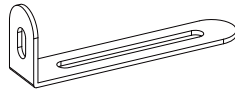
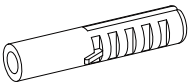
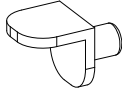

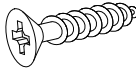
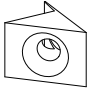
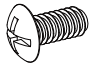
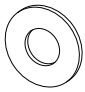
Bei unerwarteter Montage oder Verwendung können schwere oder tödliche Verletzung auftreten.

1. Legen Sie in den Montageprozess alle Teile weg von Babys oder Kindern.
2. Stellen Sie sicher, dass der gebohrte Wandbereich frei von verborgenen Stromkabeln, Wasser- und Gasleitungen ist, wenn Sie dieses Produkt an der Wand befestigen.
3. Die Verwendung von Kippsicherungen kann die Gefahr eines Kippens nur verringern, jedoch nicht beseitigen.
4. Setzen Sie bitte keine schweren Gegenstände auf dieses Produkt, es sei denn, dass das Produkt speziell für die Unterbringung konzipiert wird.
5. Legen Sie bitte die schwersten Gegenstände auf das unterste Regal.
6. Erlauben Sie nie Kindern, auf Schubladen, Türen oder Regale zu klettern oder zu knallen.

Parts List(EN) / Teile Liste(DE)

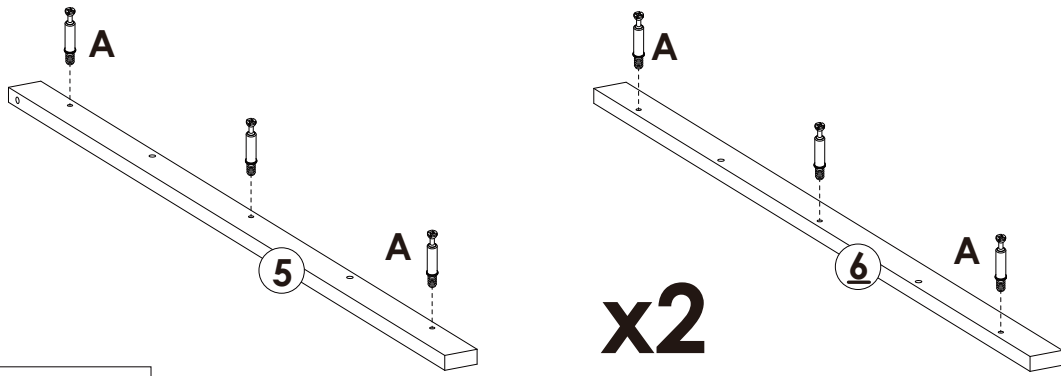


Parts List(EN) / Teile Liste(DE)

<p>A</p>  <p>M6×35mm 38+2PCS</p>	<p>B</p>  <p>Φ15×10mm 38+2PCS</p>	<p>C</p>  <p>Ø6×30mm 48+2PCS</p>	<p>D</p>  <p>Ø6×20mm 4PCS</p>
<p>E</p>  <p>M4×65mm 8+1PCS</p>	<p>F</p>  <p>M4×35mm 18+2PCS</p>	<p>G</p>  <p>M4×25mm 20+2PCS</p>	<p>H</p>  <p>M4×12mm 2PCS</p>
<p>I</p>  <p>5PCS</p>	<p>J</p>  <p>M4×18mm 8+1PCS</p>	<p>K</p>  <p>M2.5×12mm 4PCS</p>	<p>L</p>  <p>2PCS</p>
<p>M</p>  <p>8PCS</p>	<p>N</p>  <p>M4×12mm 48+2PCS</p>	<p>O</p>  <p>M3×12mm 6PCS</p>	<p>P</p>  <p>2PCS</p>
<p>Q</p>  <p>2PCS</p>	<p>R</p>  <p>4PCS</p>	<p>S</p>  <p>2PCS</p>	<p>T</p>  <p>M3×14mm 8+1PCS</p>
<p>U</p>  <p>8+1PCS</p>	<p>V</p>  <p>4PCS</p>	<p>W</p>  <p>2PCS</p>	

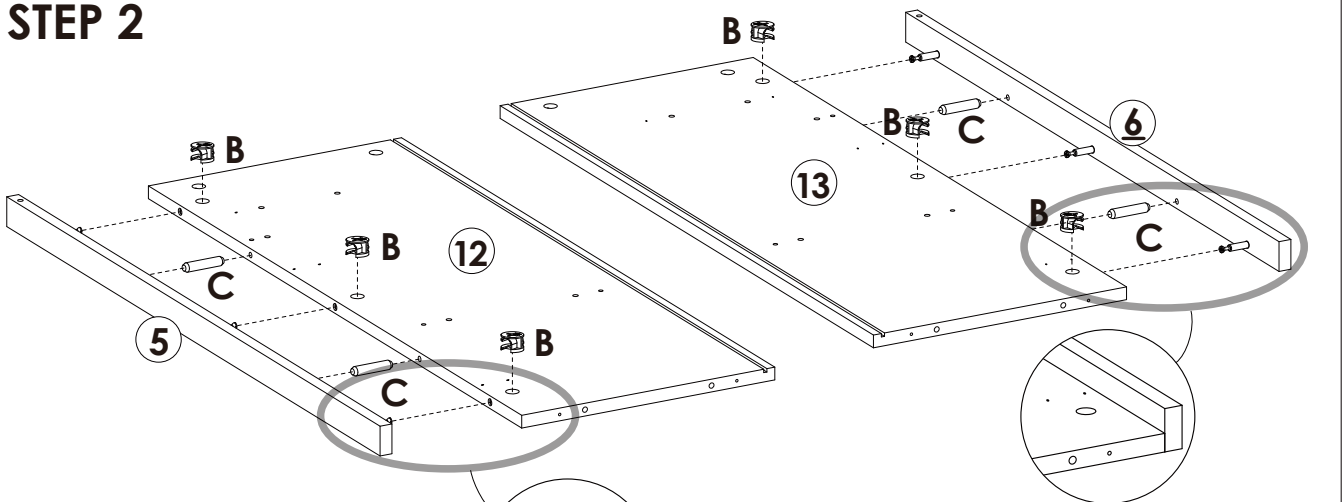
Assembly Steps(EN) / Montageschritte(DE)



STEP 1

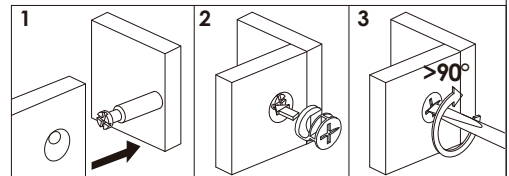


	A x 12PCS
---	-----------

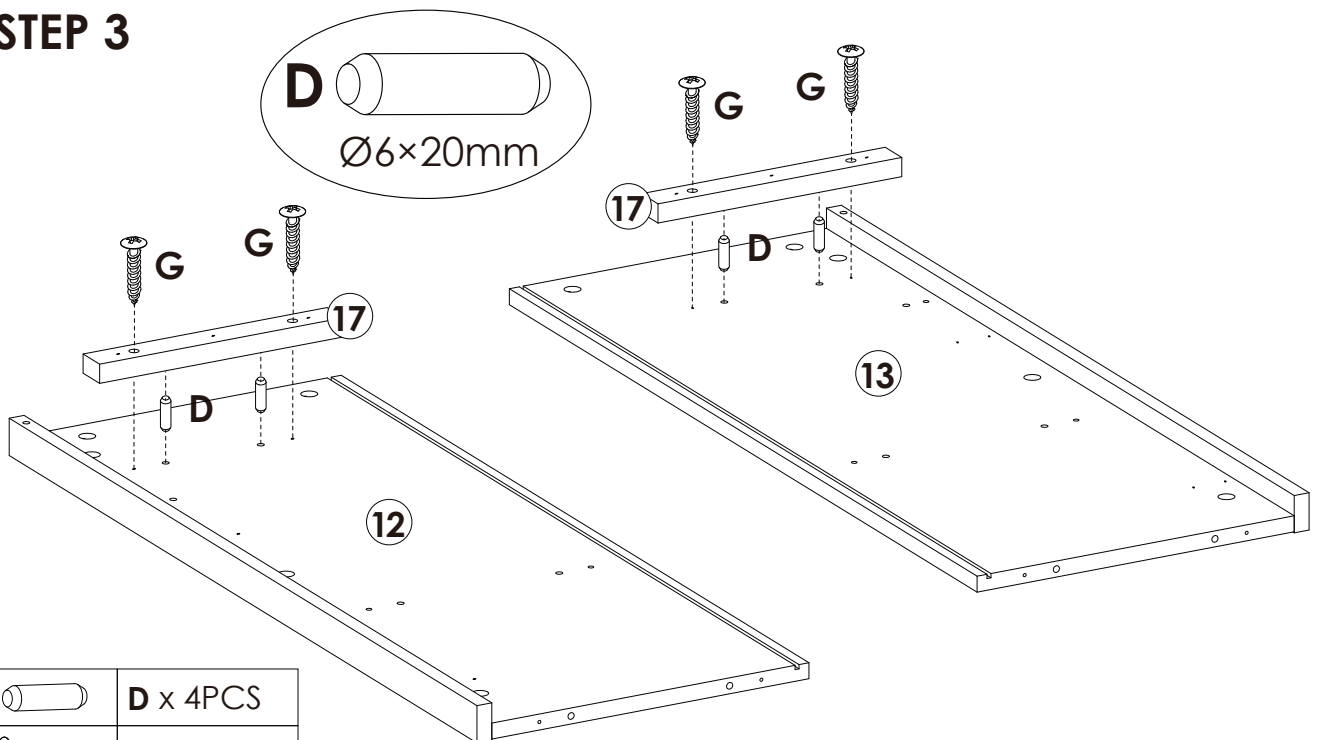
STEP 2

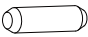



	B x 6PCS
	C x 4PCS



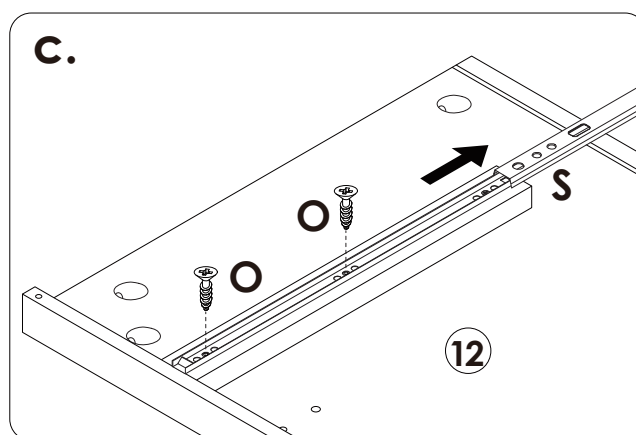
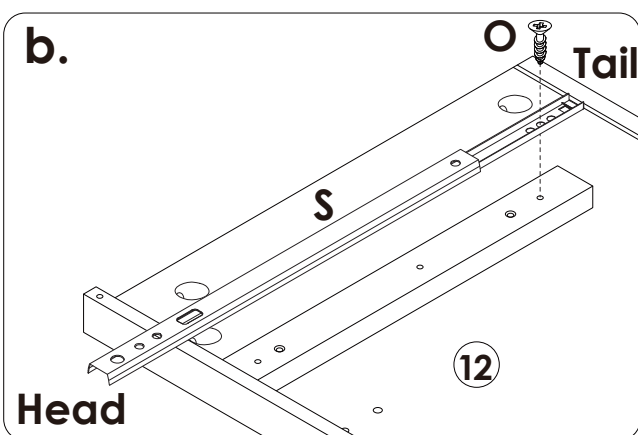
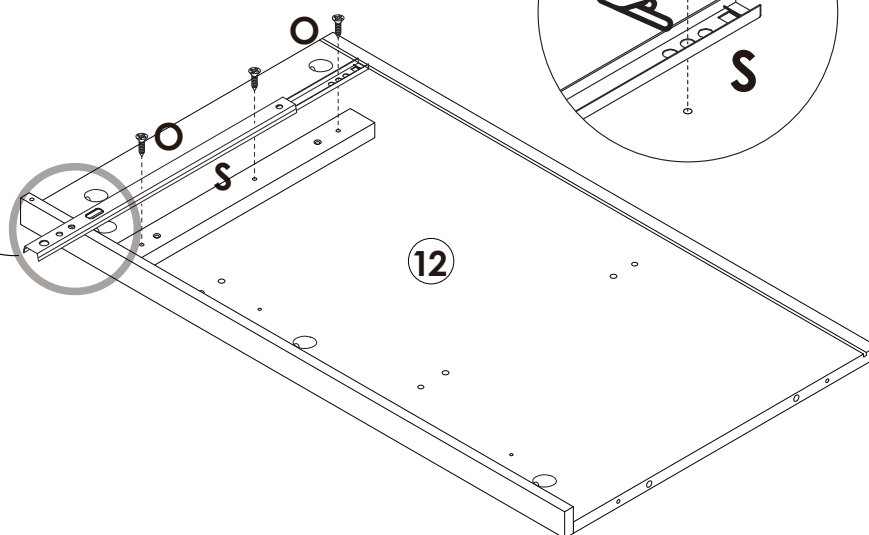
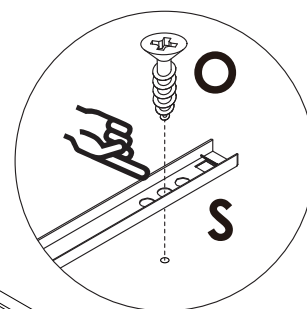
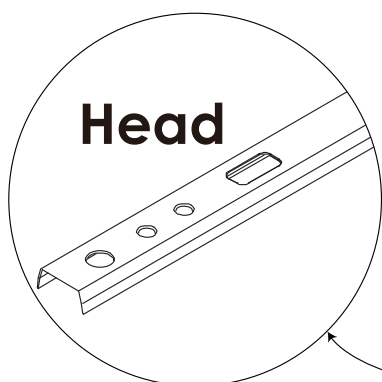
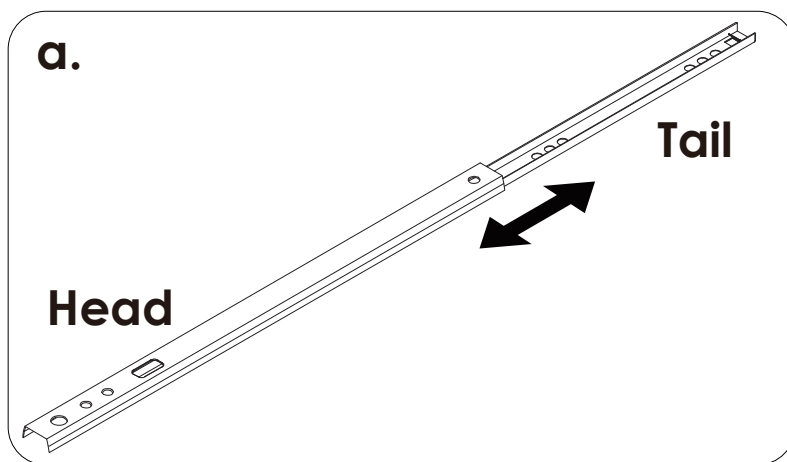
STEP 3





	D x 4PCS
	G x 4PCS

Assembly Steps(EN) / Montageschritte(DE)

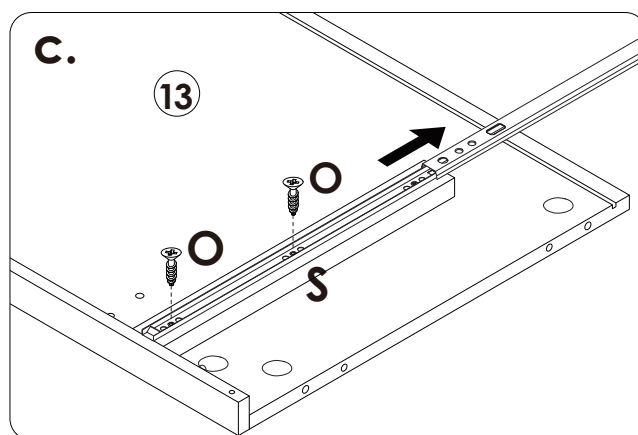
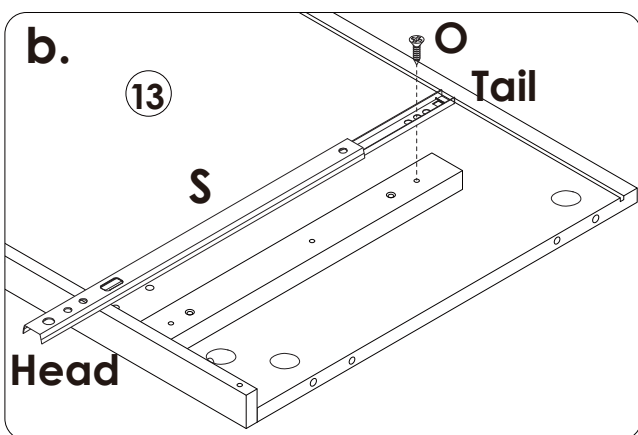
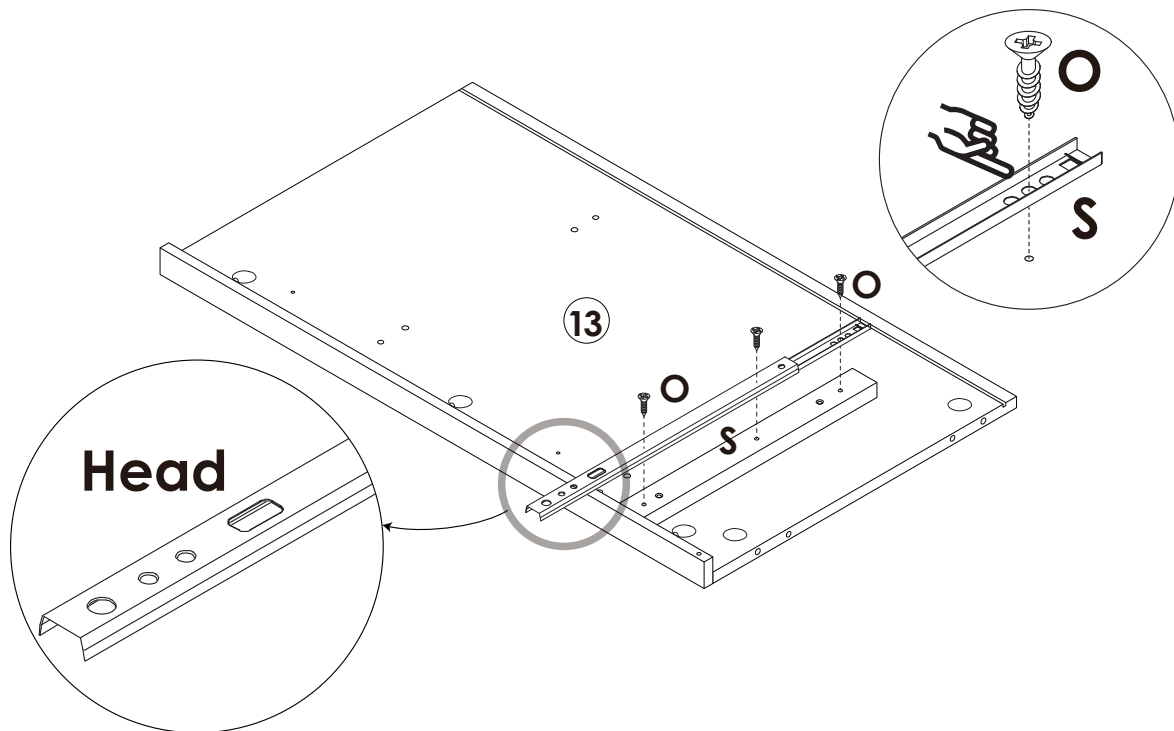
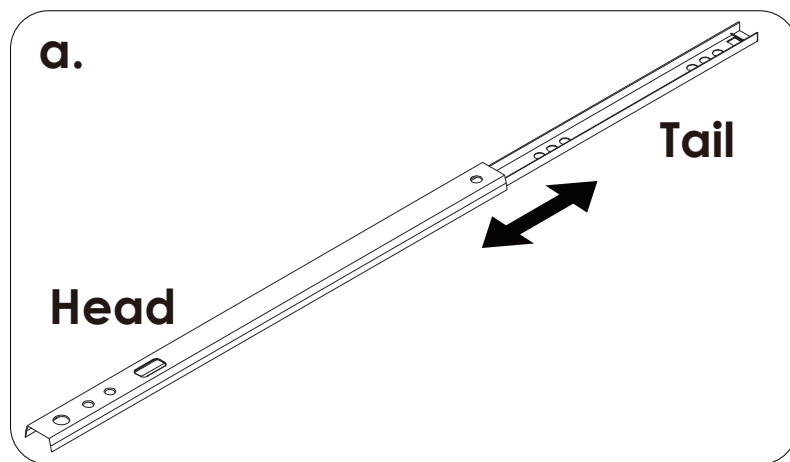
STEP 4





	O x 3PCS
	S x 1PC

Assembly Steps(EN) / Montageschritte(DE)

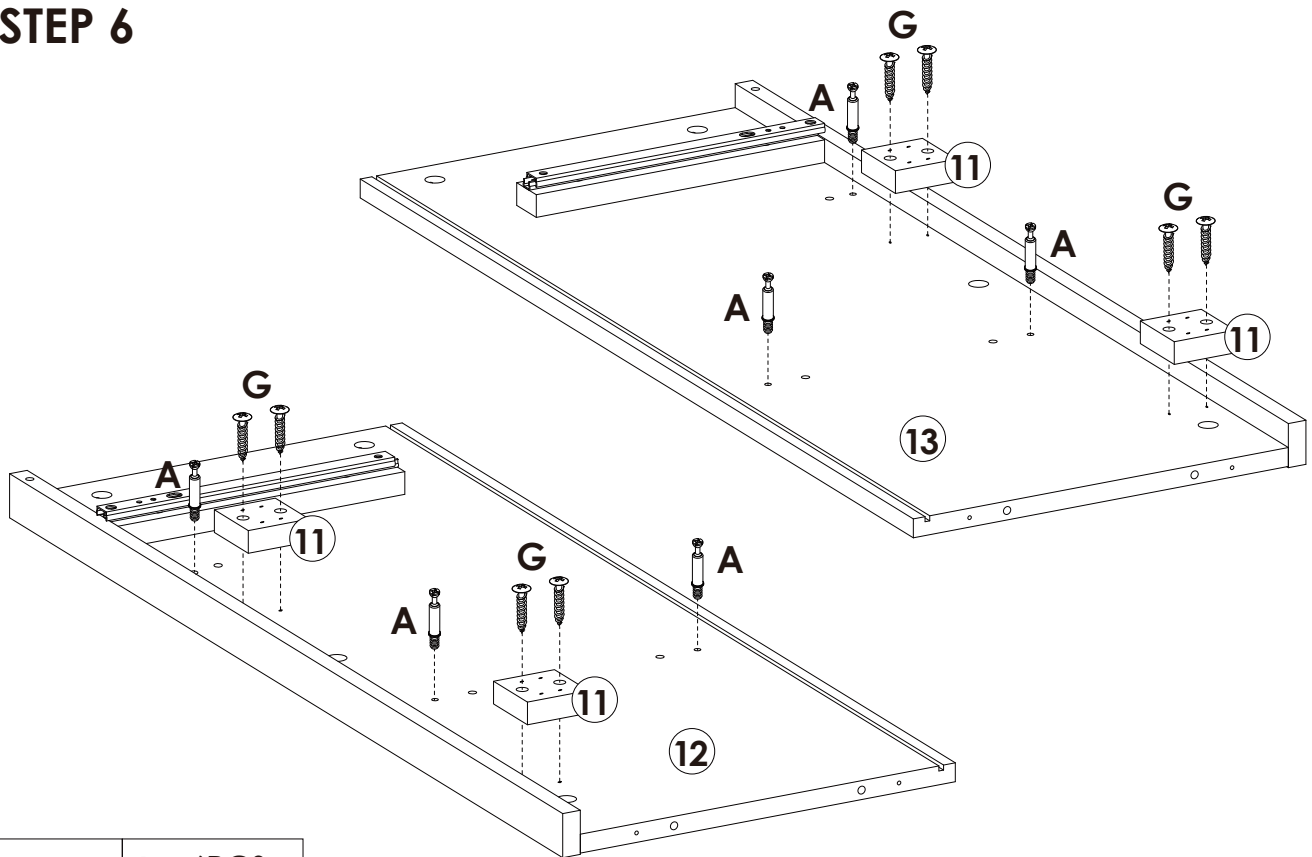
STEP 5




	O x 3PCS
	S x 1PC

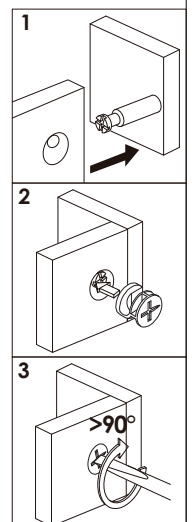
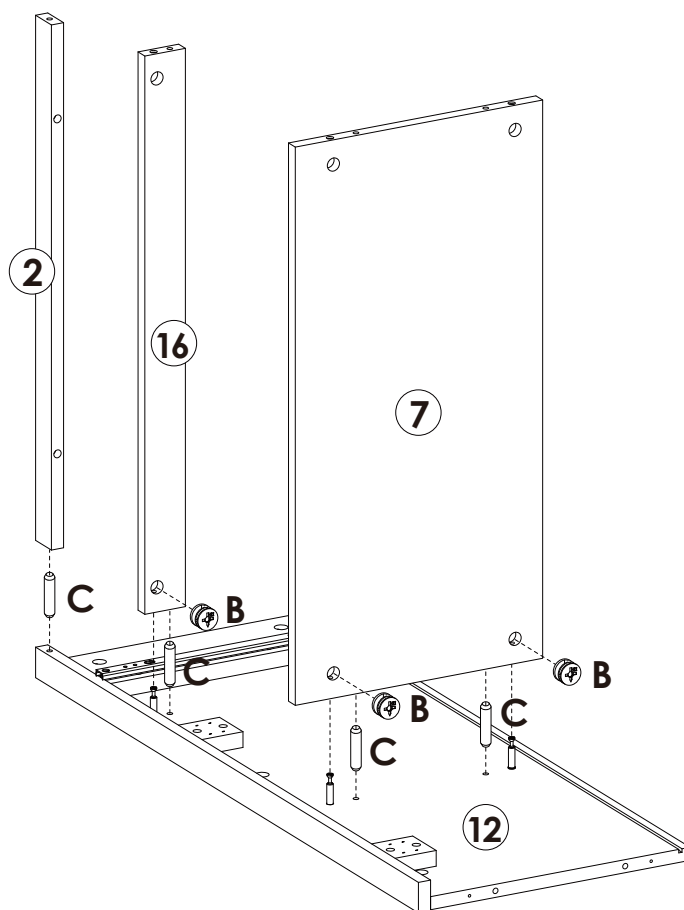
Assembly Steps(EN) / Montageschritte(DE)


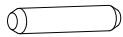
STEP 6



	A x 6PCS
	G x 8PCS

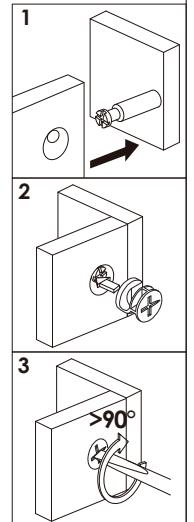
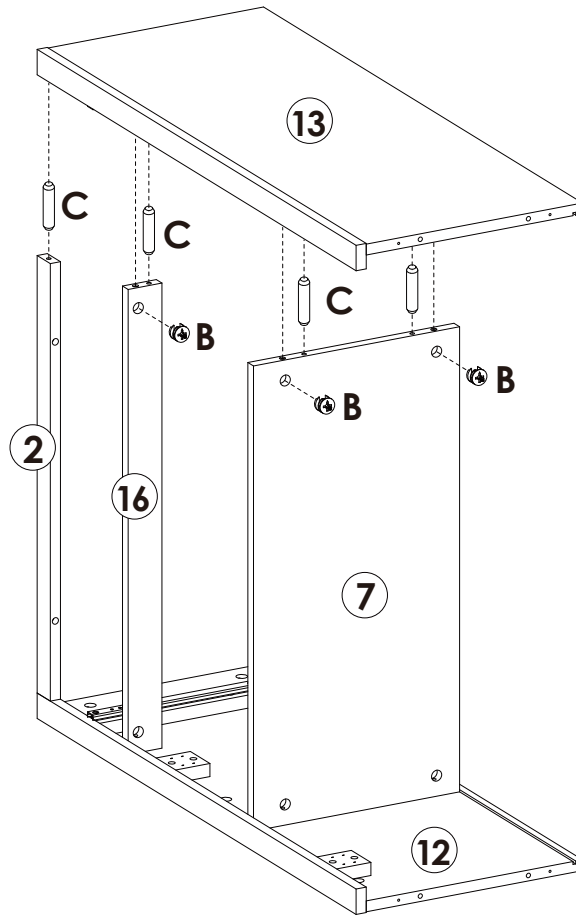
STEP 7





	B x 3PCS
	C x 4PCS

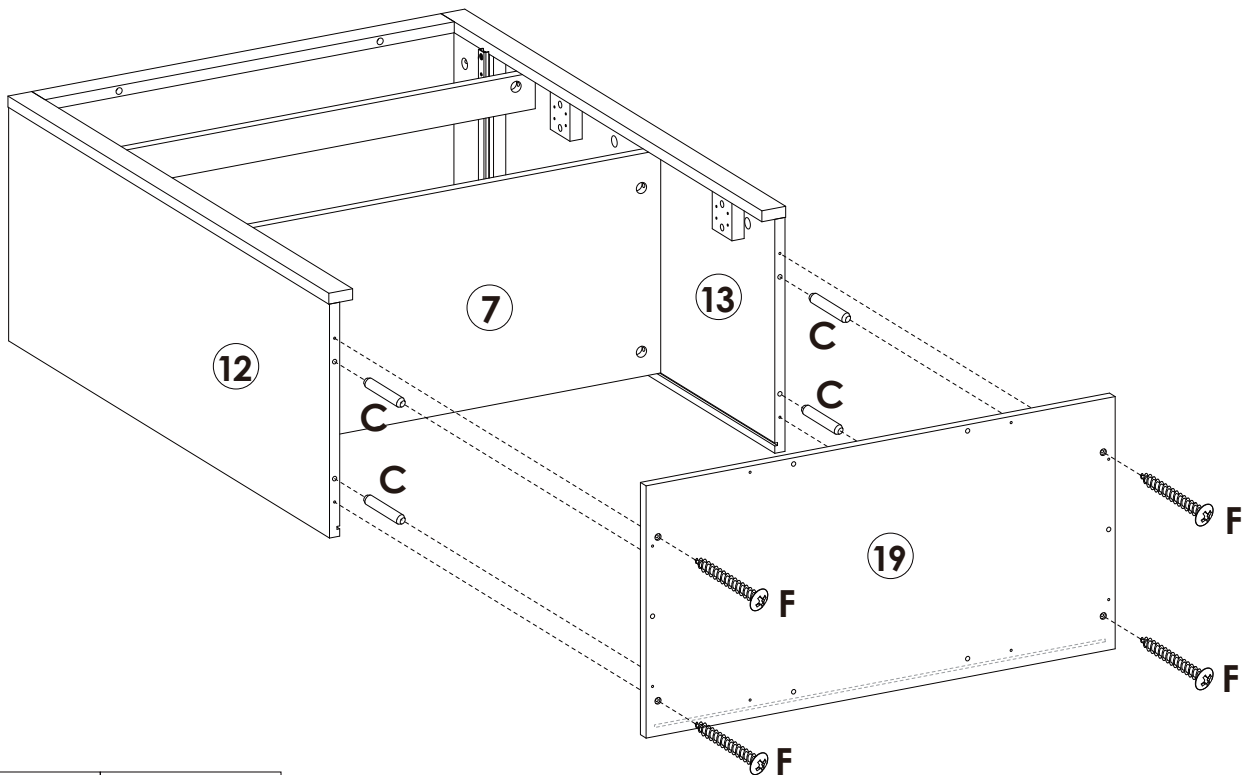
Assembly Steps(EN) / Montageschritte(DE)

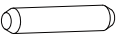

STEP 8



	B x 3PCS
	C x 4PCS

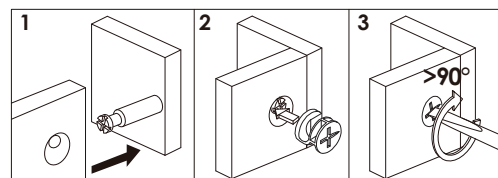
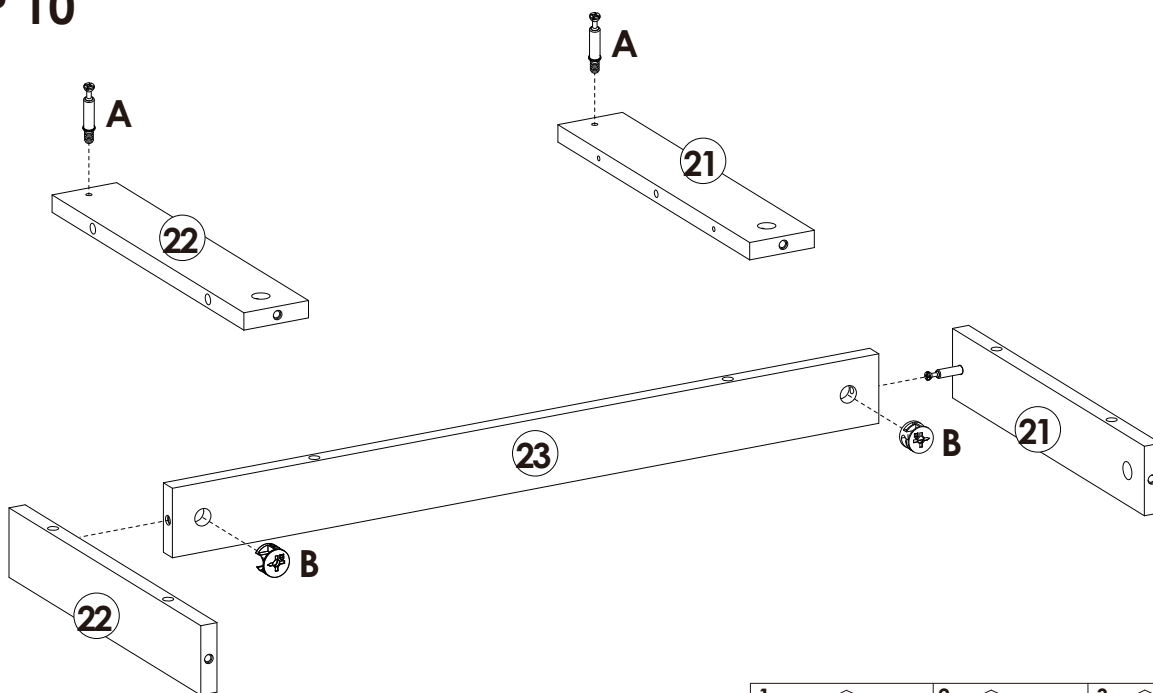
STEP 9

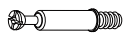



	C x 4PCS
	F x 4PCS

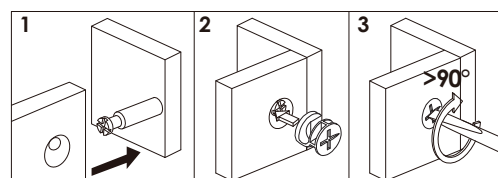
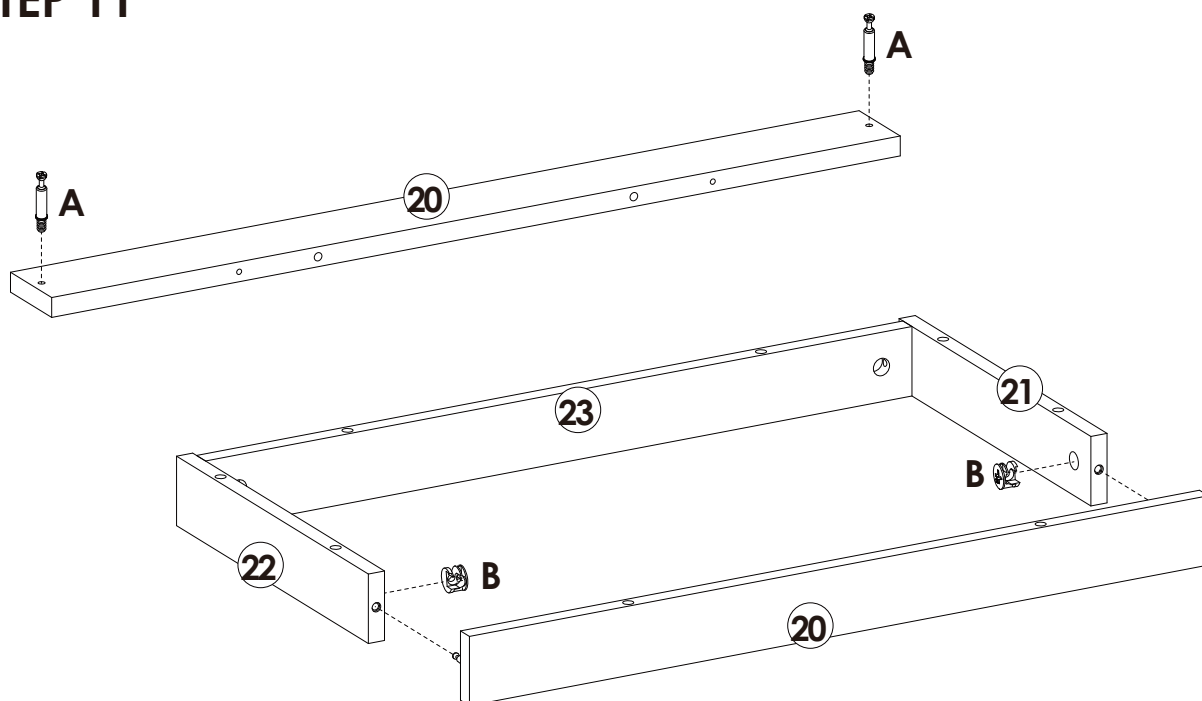
Assembly Steps(EN) / Montageschritte(DE)

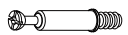

STEP 10



	A x 2PCS
	B x 2PCS

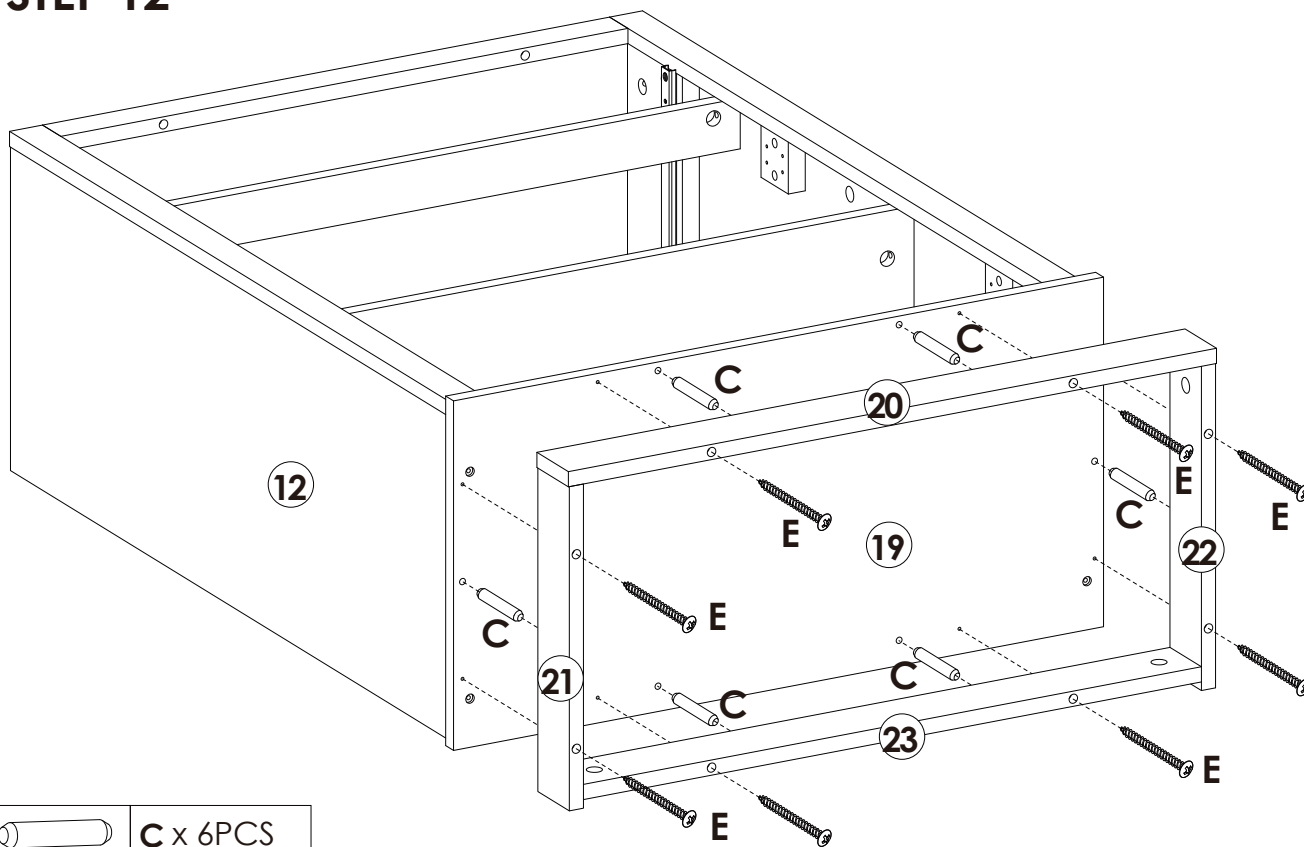
STEP 11





	A x 2PCS
	B x 2PCS

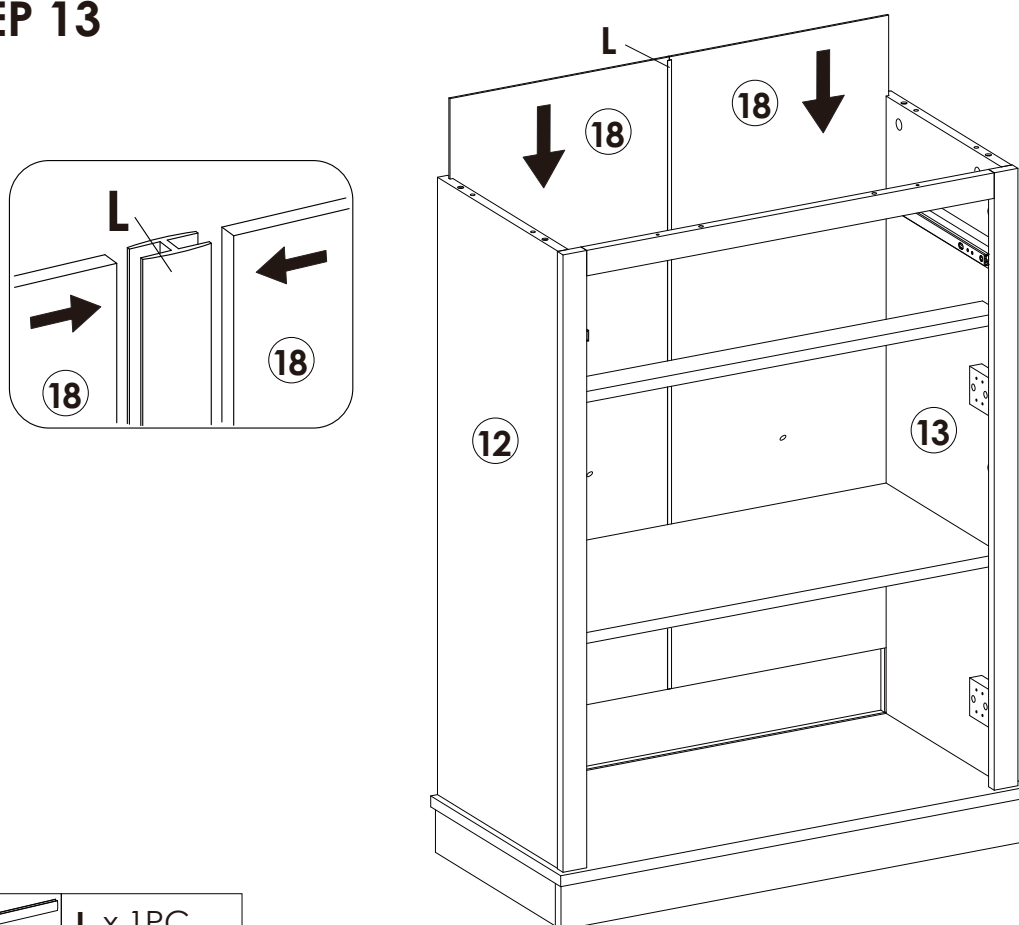
Assembly Steps(EN) / Montageschritte(DE)

STEP 12



	C x 6PCS
	E x 8PCS

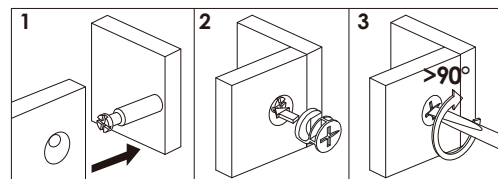
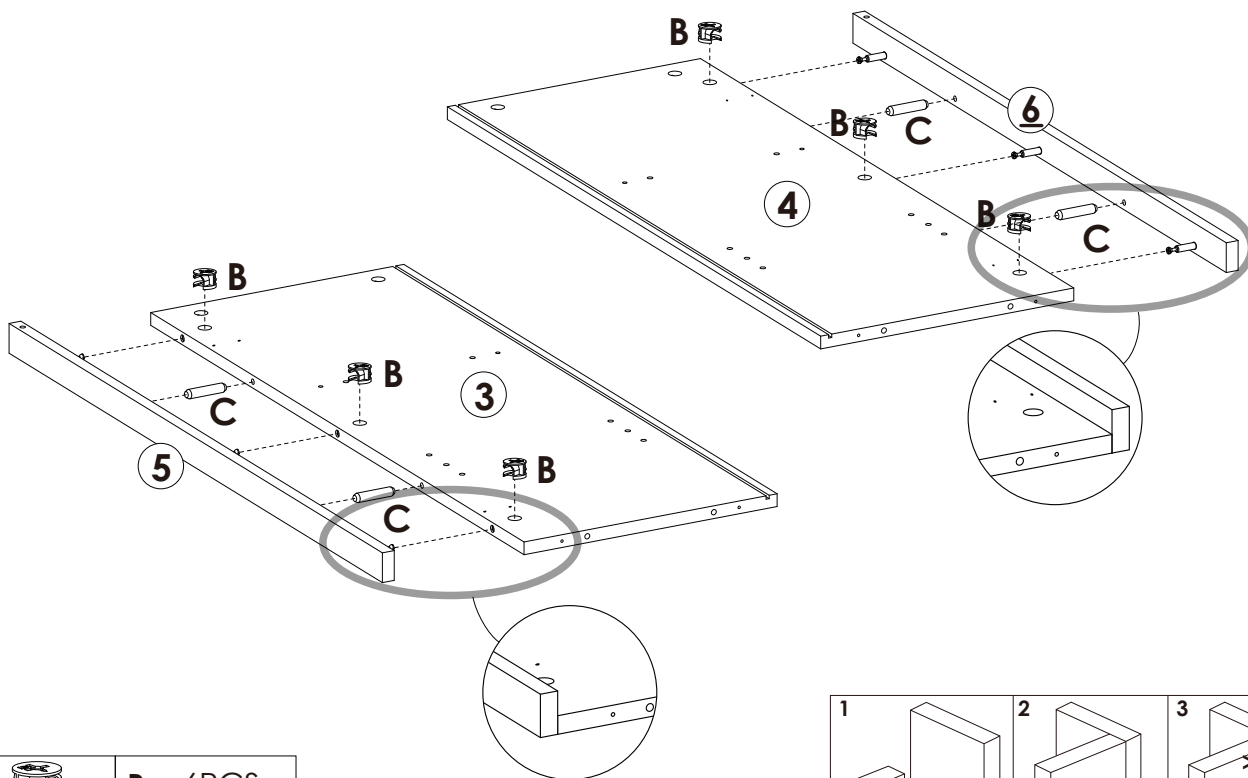
STEP 13





	L x 1PC
---	---------

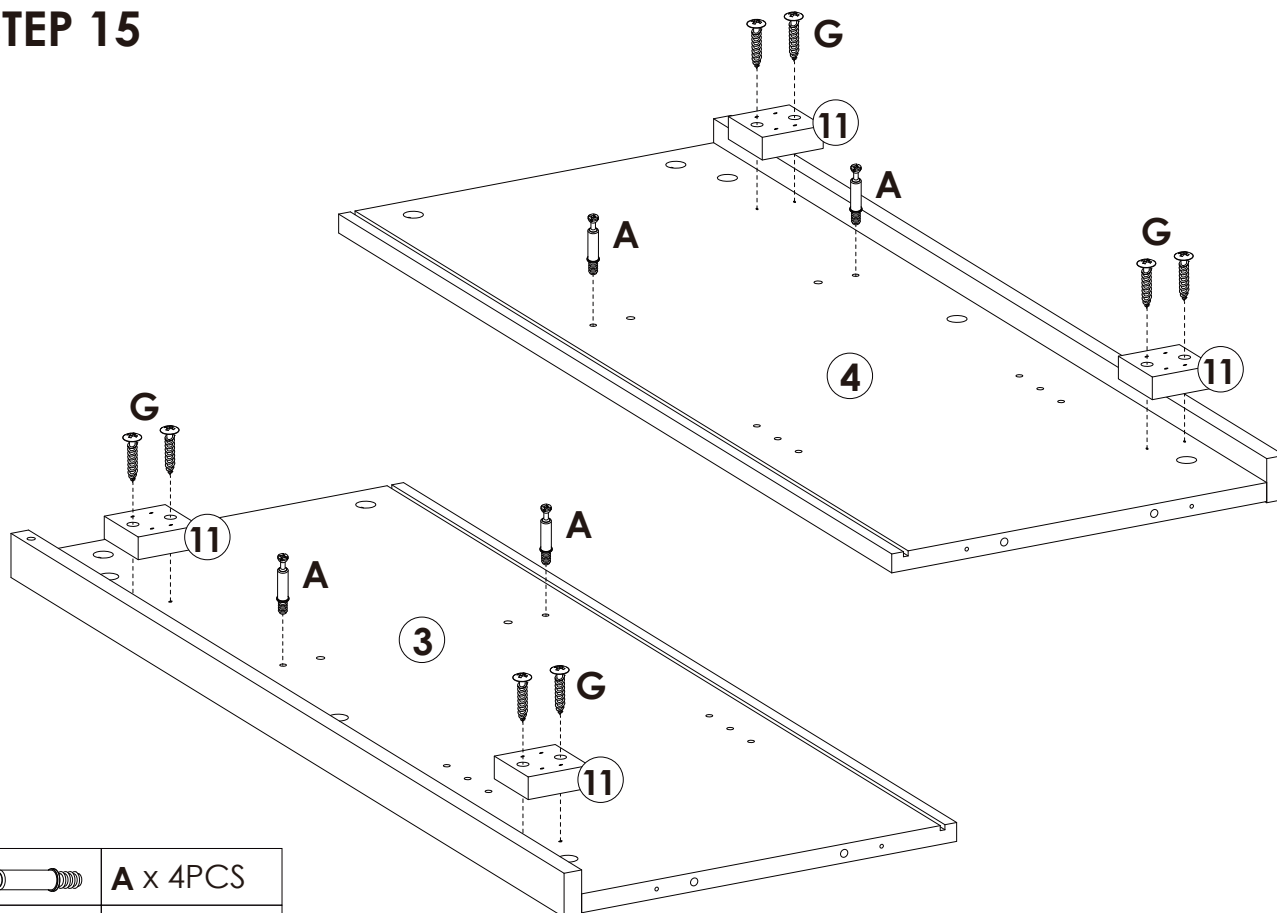
Assembly Steps(EN) / Montageschritte(DE)



STEP 14



	B x 6PCS
	C x 4PCS

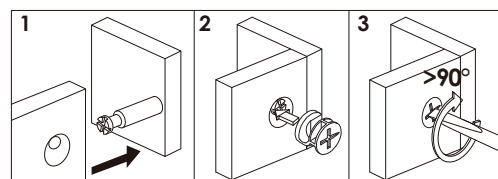
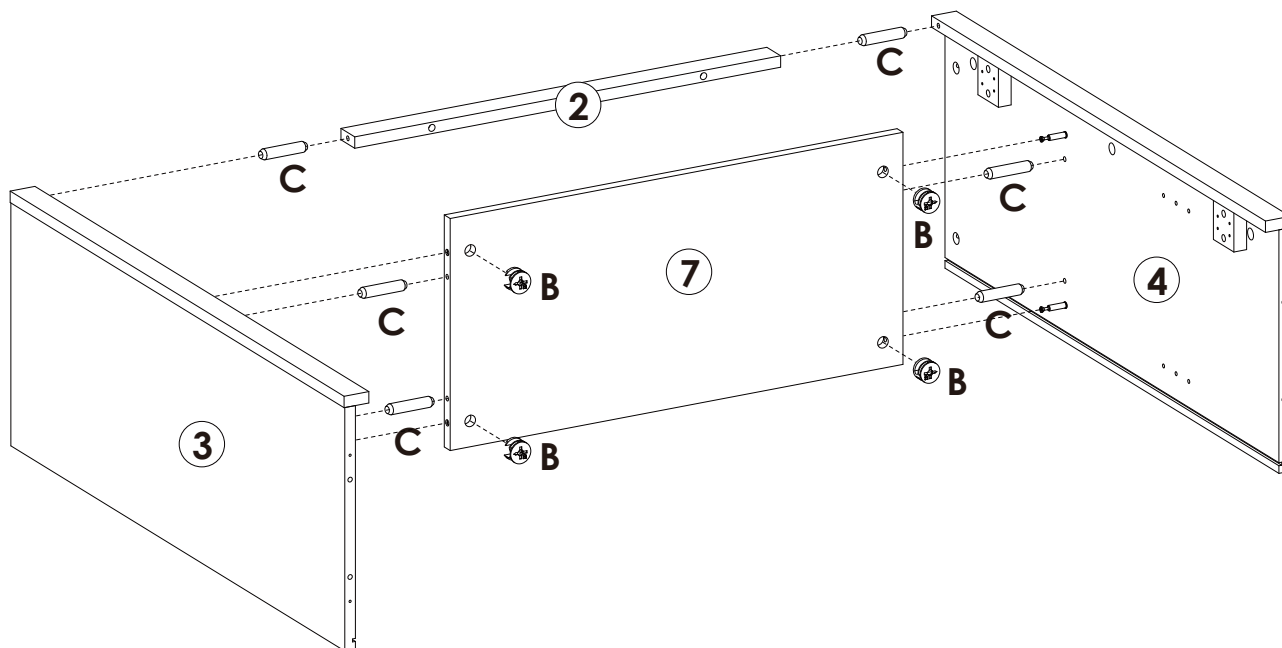
STEP 15





	A x 4PCS
	G x 8PCS

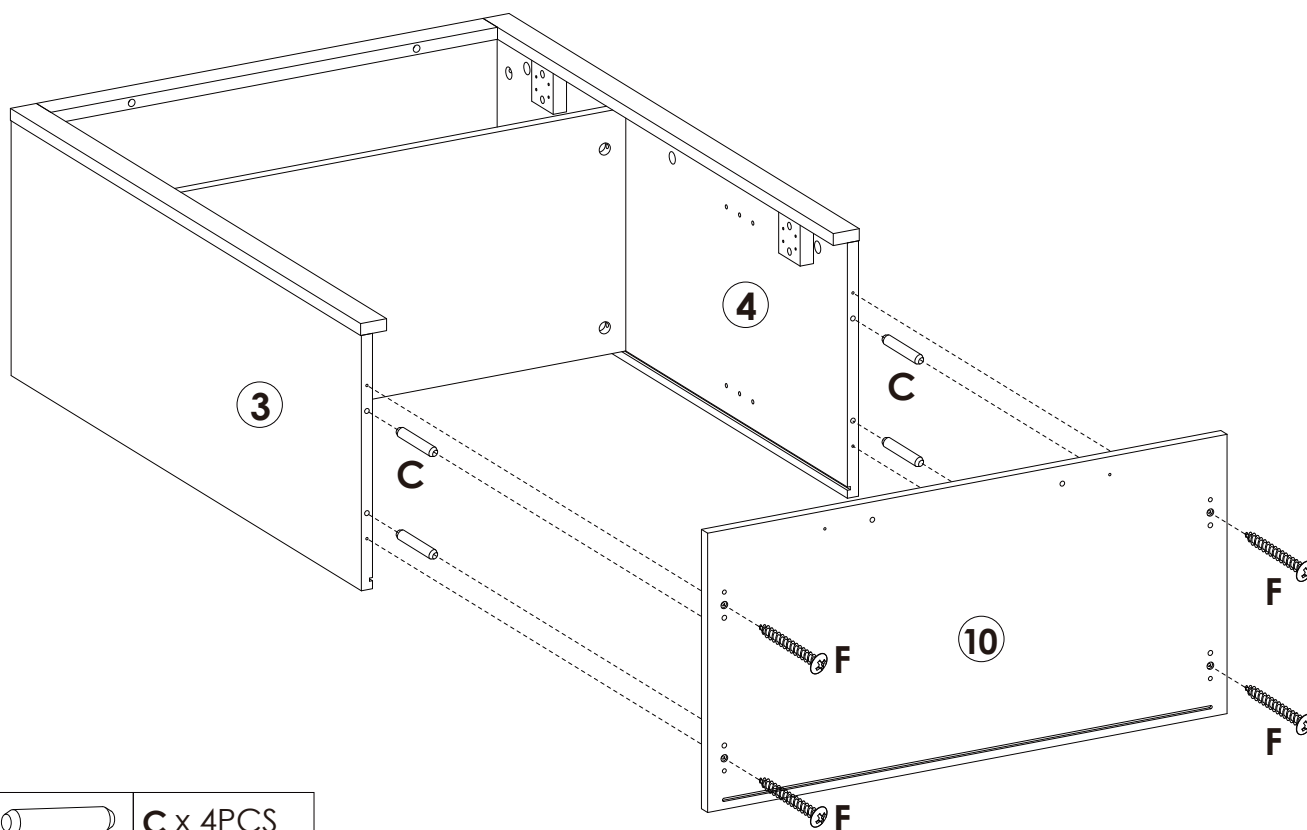
Assembly Steps(EN) / Montageschritte(DE)


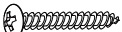
STEP 16



	B x 4PCS
	C x 6PCS

STEP 17

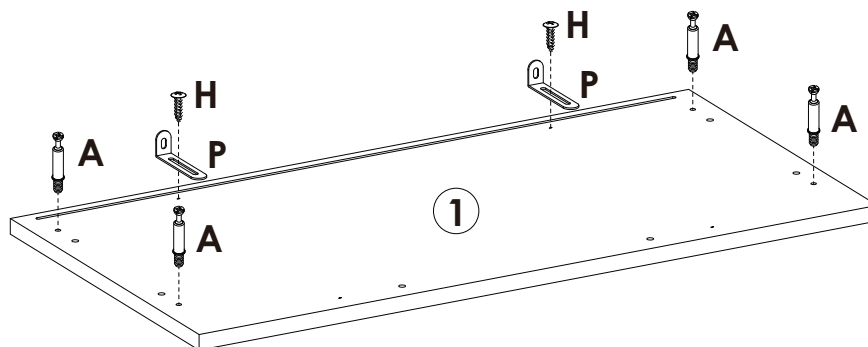


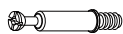


	C x 4PCS
	F x 4PCS

Assembly Steps(EN) / Montageschritte(DE)

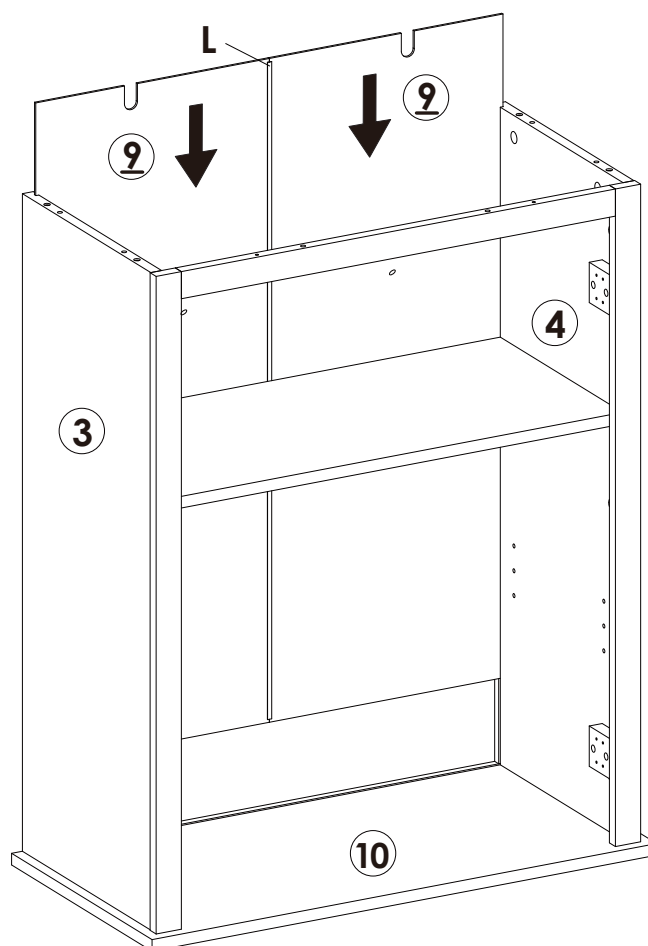
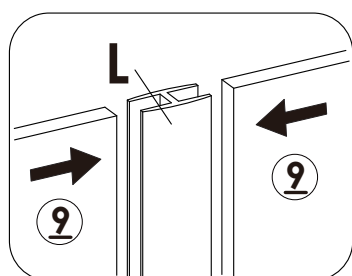
STEP 18

Lock the long side of the "P" L-shaped metal plate to the ① board with the "H" short screw



	A x 4PCS
	H x 2PCS
	P x 2PCS

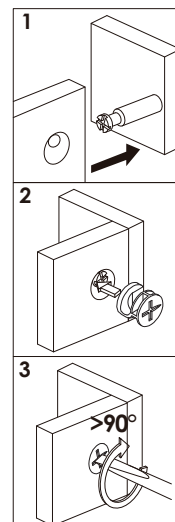
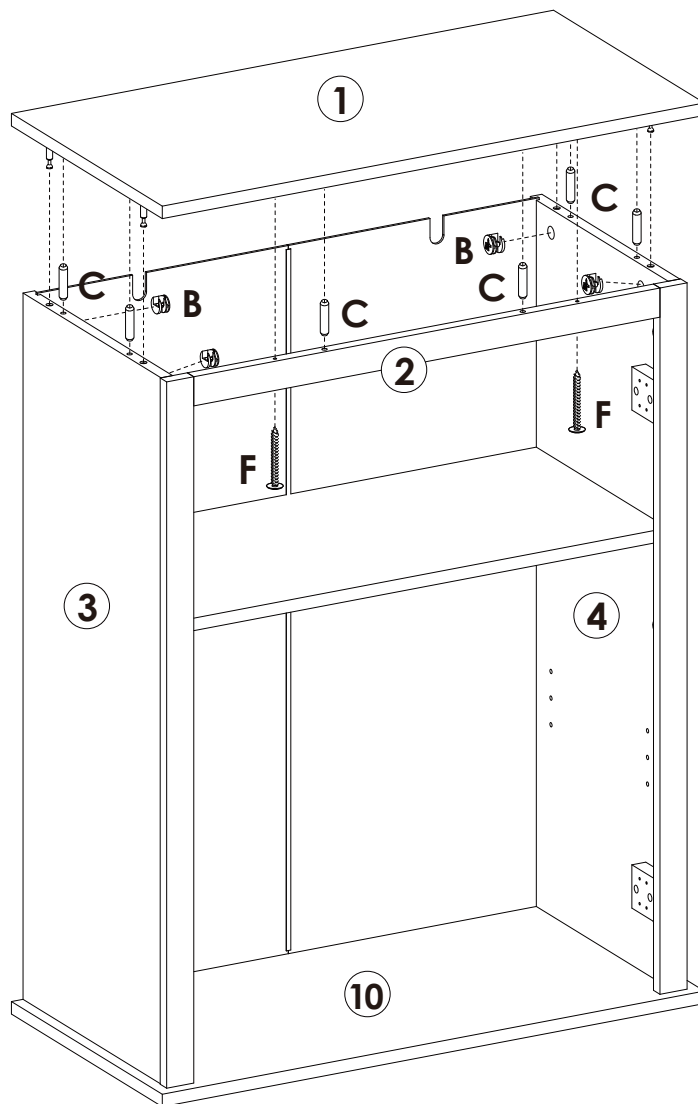
STEP 19



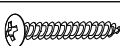


	L x 1PC
---	---------

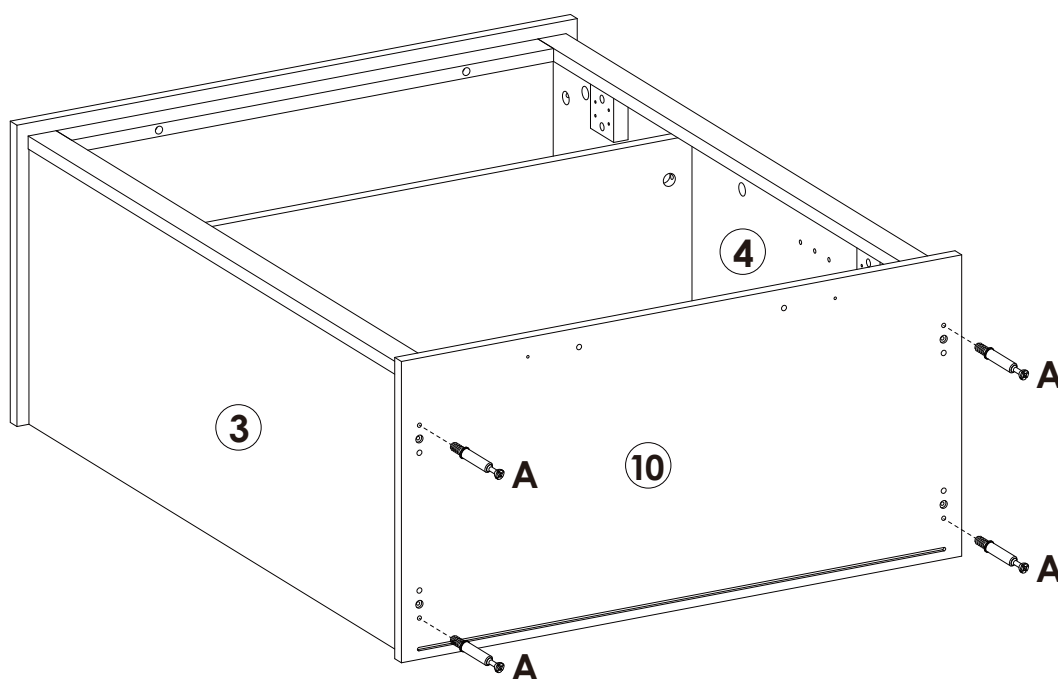
Assembly Steps(EN) / Montageschritte(DE)

STEP 20



	B x 4PCS
	C x 6PCS
	F x 2PCS

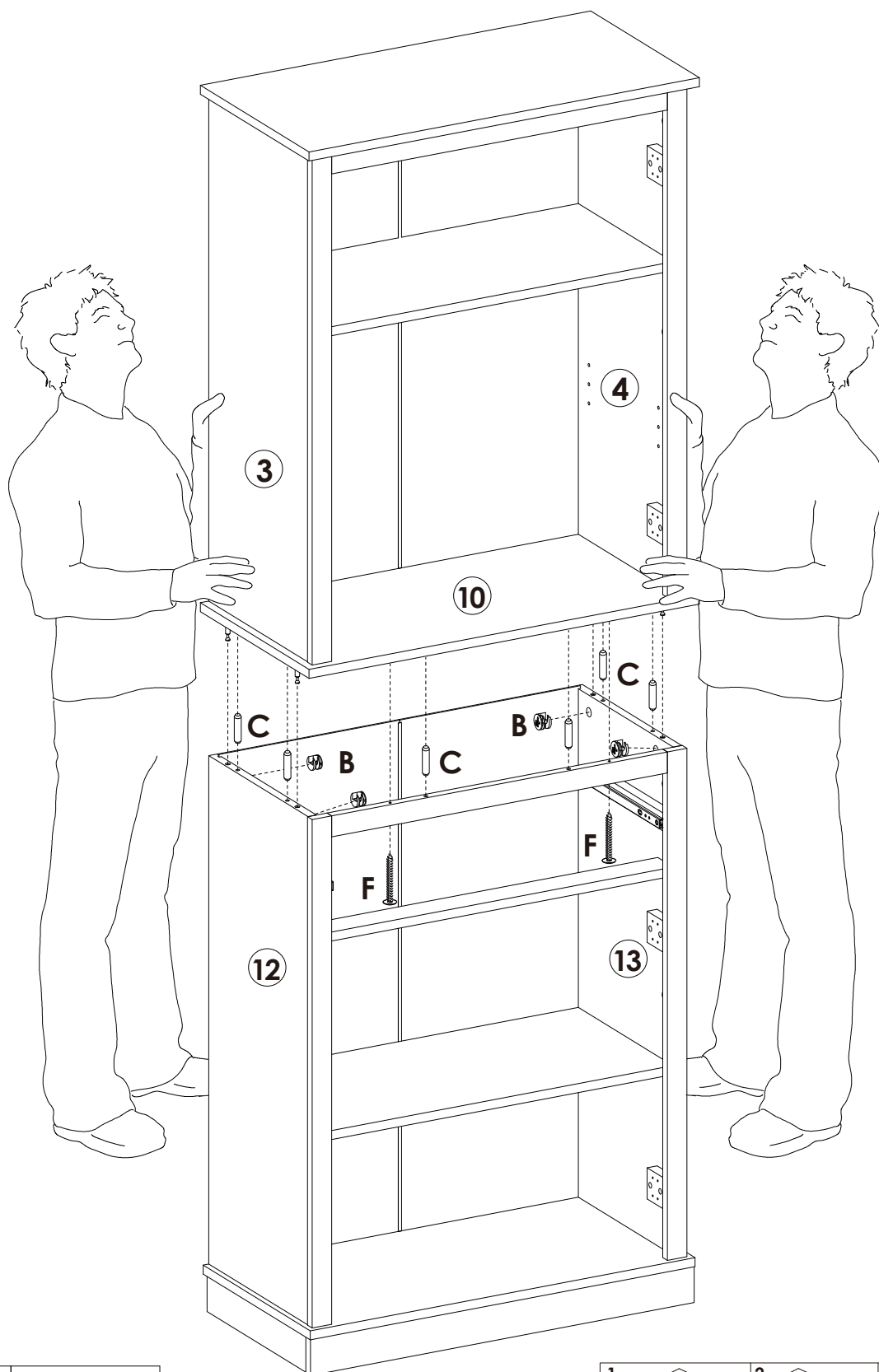
STEP 21






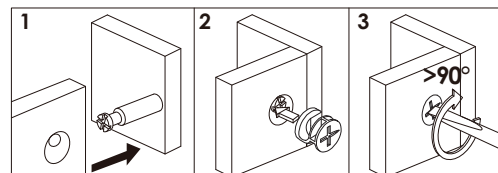
	A x 4PCS
---	-----------------

Assembly Steps(EN) / Montageschritte(DE)

STEP 22

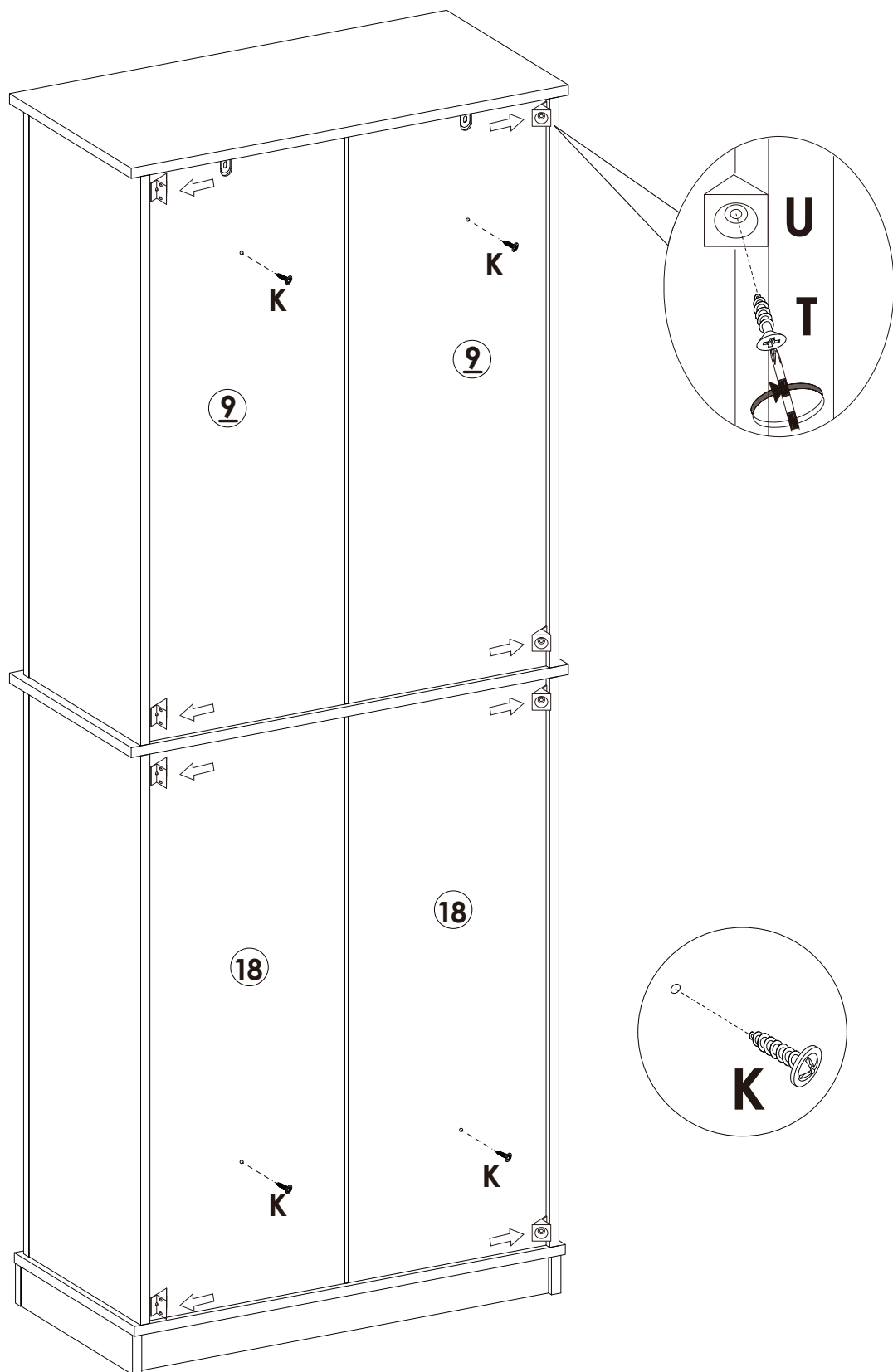





	B x 4PCS
	C x 6PCS
	F x 2PCS



Assembly Steps(EN) / Montageschritte(DE)

STEP 23

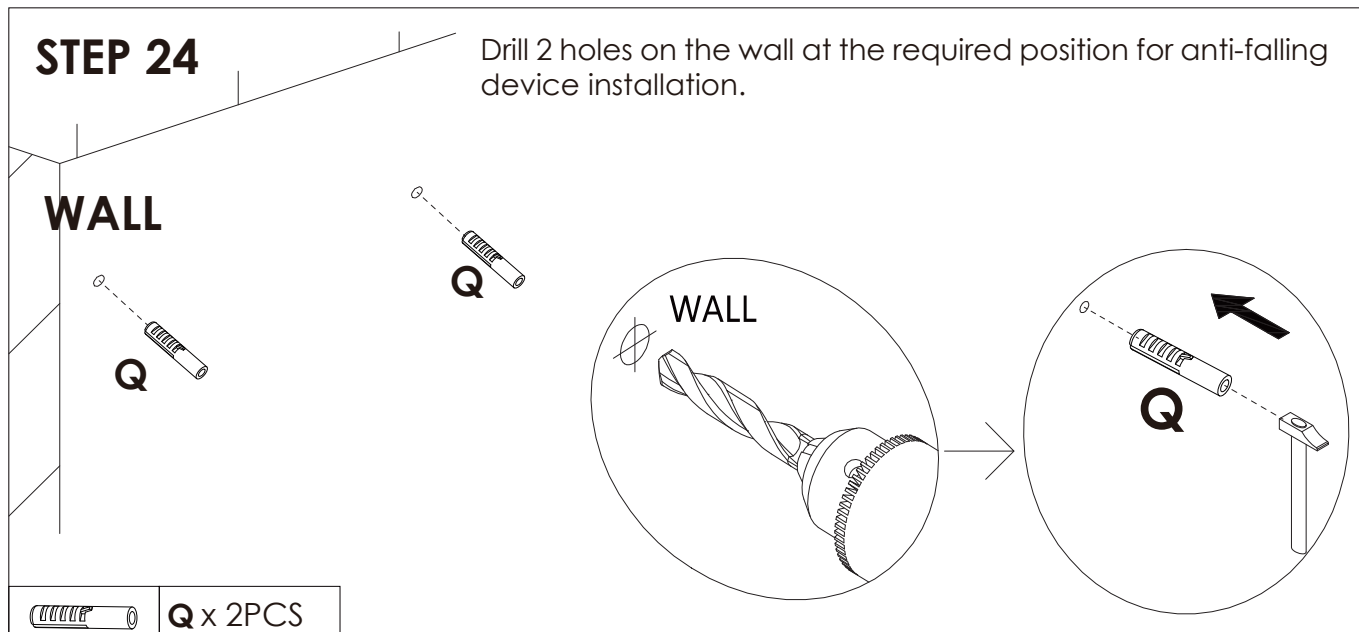


	K x 4PCS
	T x 8PCS
	U x 8PCS

Assembly Steps(EN) / Montageschritte(DE)

STEP 24

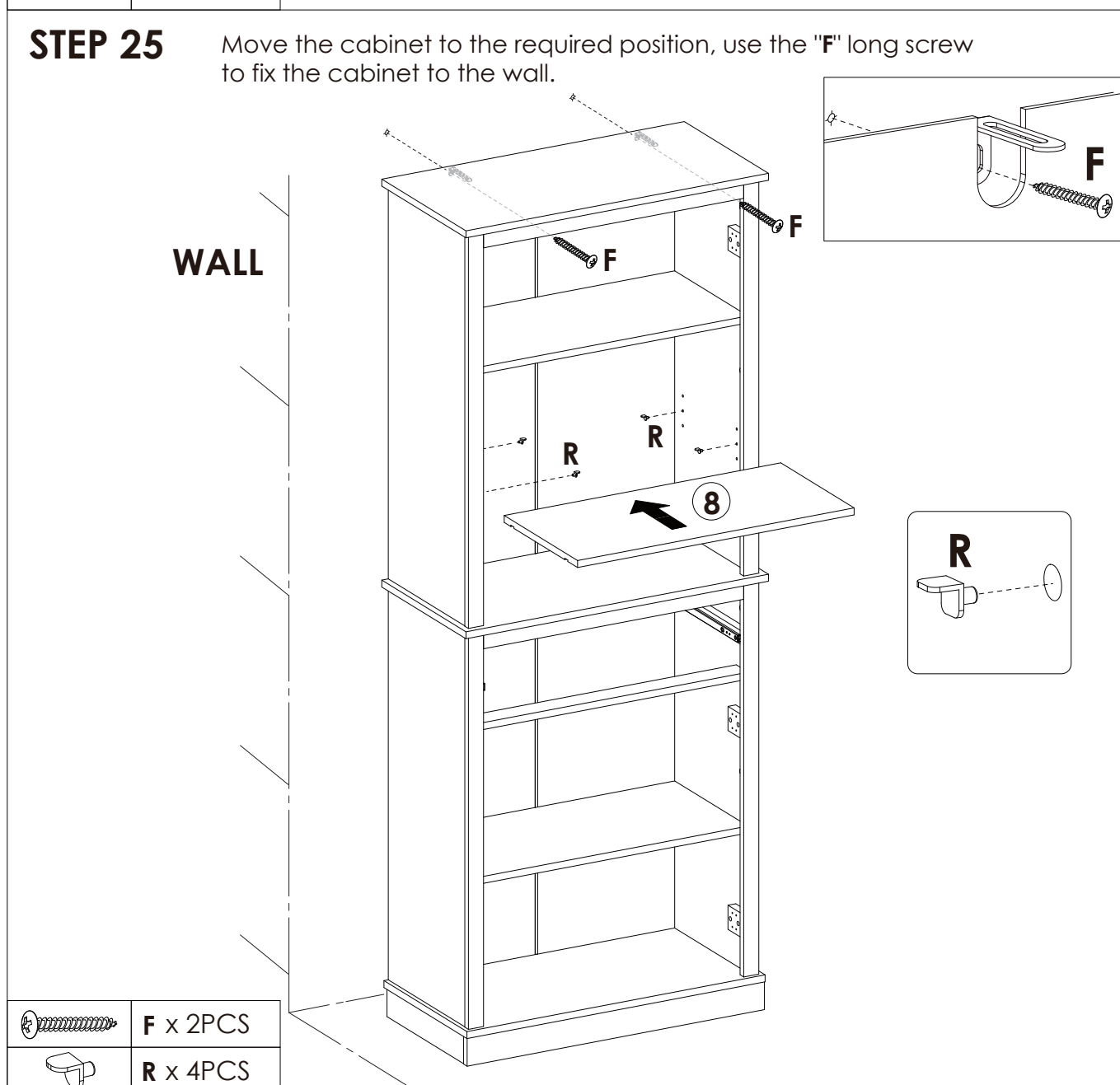
Drill 2 holes on the wall at the required position for anti-falling device installation.




 **Q x 2PCS**

STEP 25

Move the cabinet to the required position, use the "F" long screw to fix the cabinet to the wall.

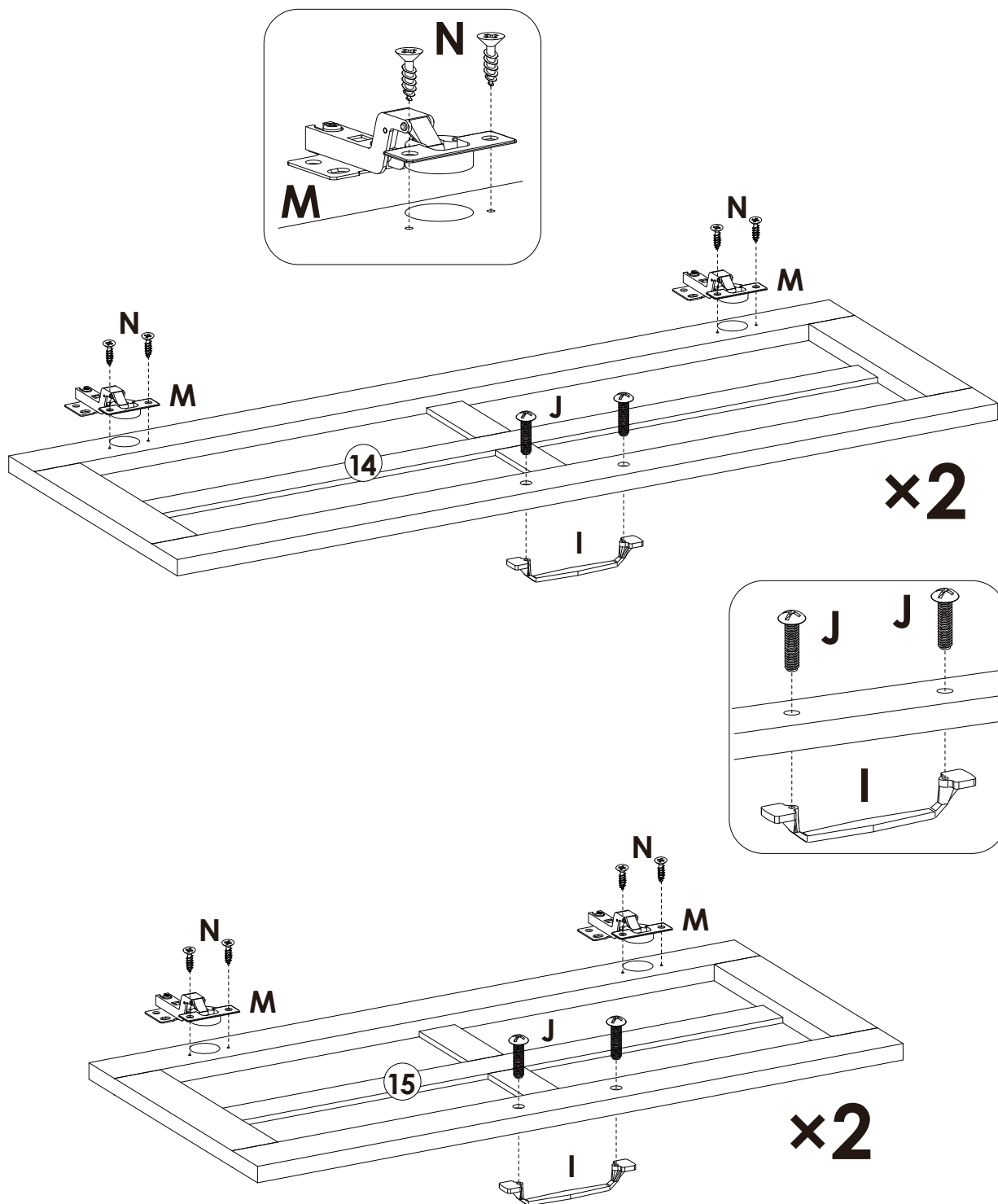






 **F x 2PCS**

 **R x 4PCS**

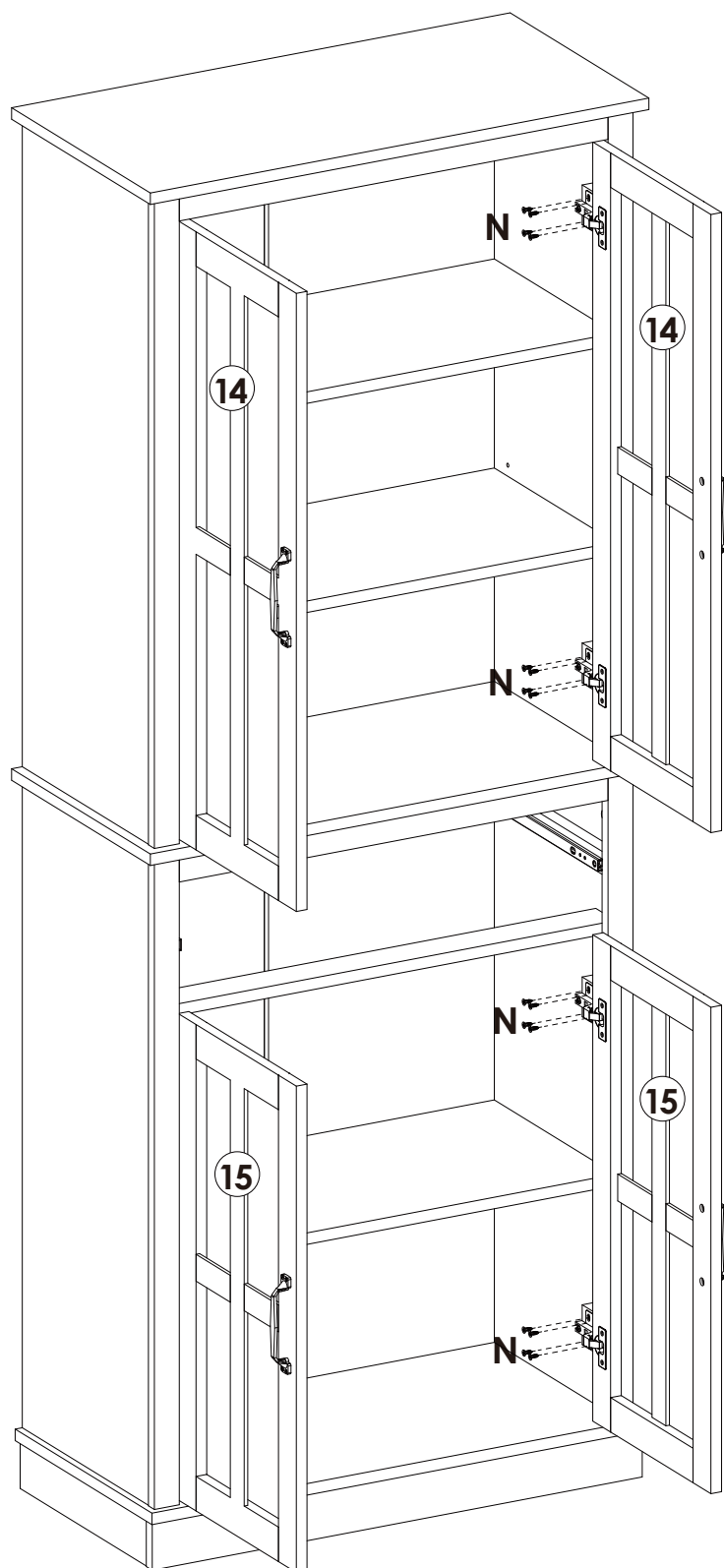
Assembly Steps(EN) / Montageschritte(DE)

STEP 26



	I x 4PCS
	J x 8PCS
	M x 8PCS
	N x 16PCS

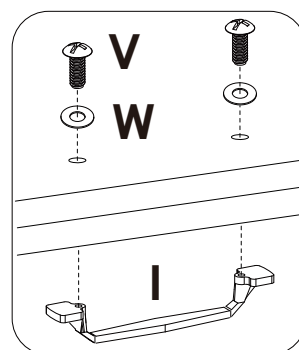
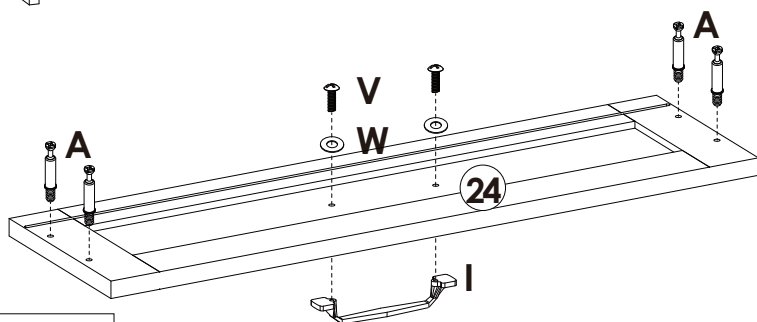
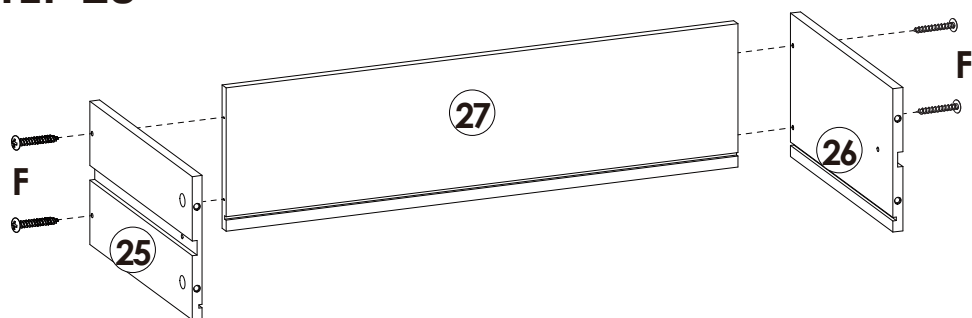
STEP 27

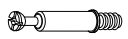






N x 32PCS

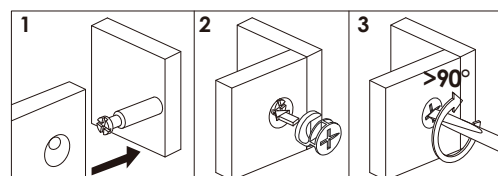
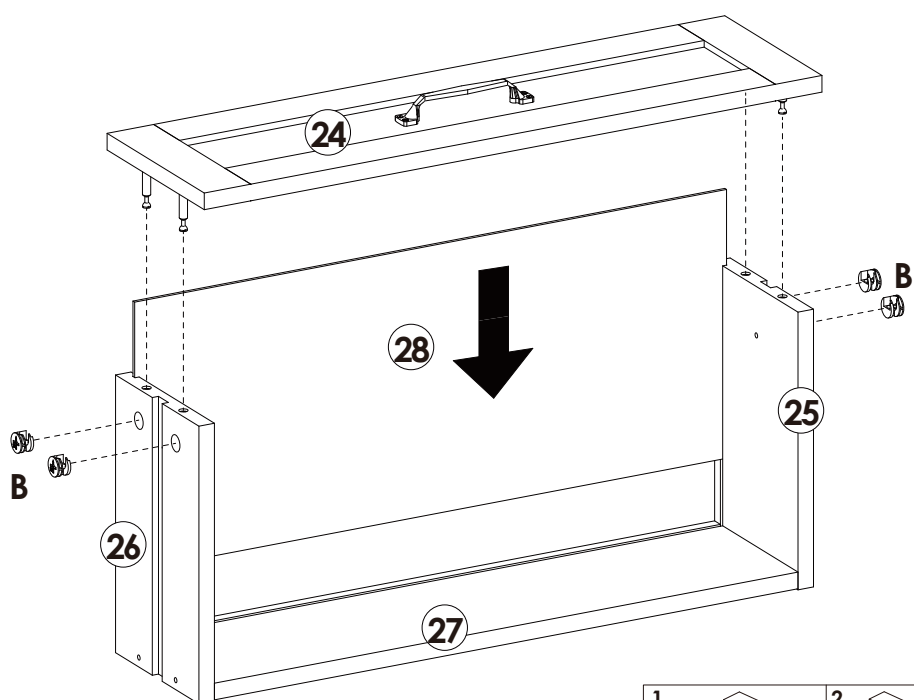
Assembly Steps(EN) / Montageschritte(DE)


STEP 28



	A x 4PCS
	F x 4PCS
	I x 1PC
	V x 2PCS
	W x 2PCS

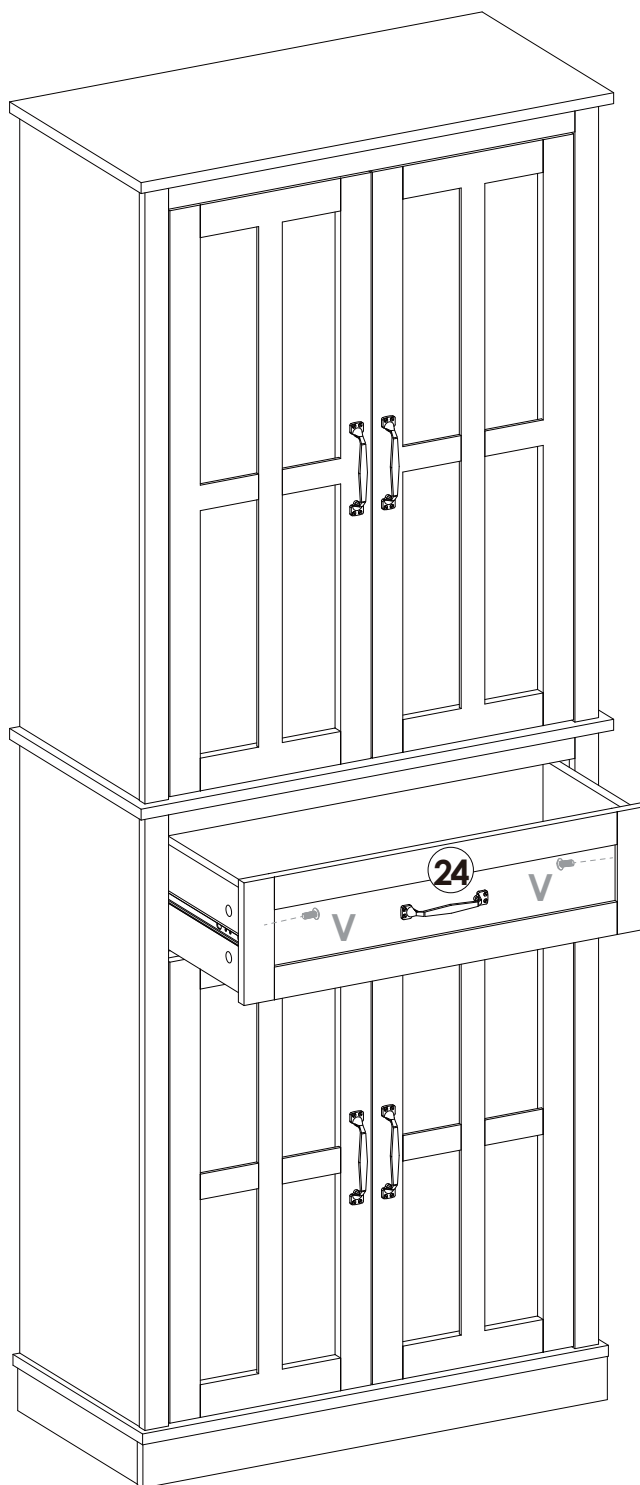
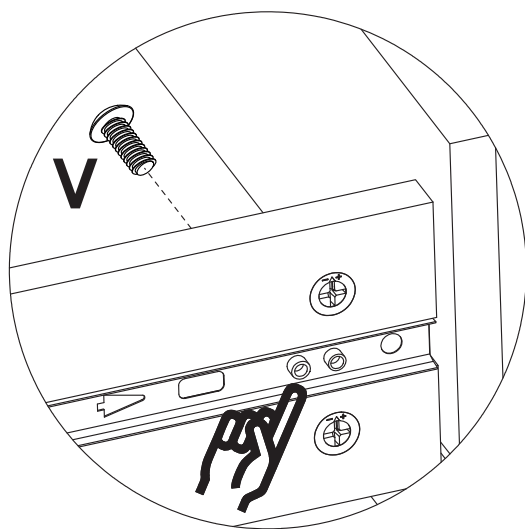
STEP 29



	B x 4PCS
---	----------

Assembly Steps(EN) / Montageschritte(DE)

STEP 30

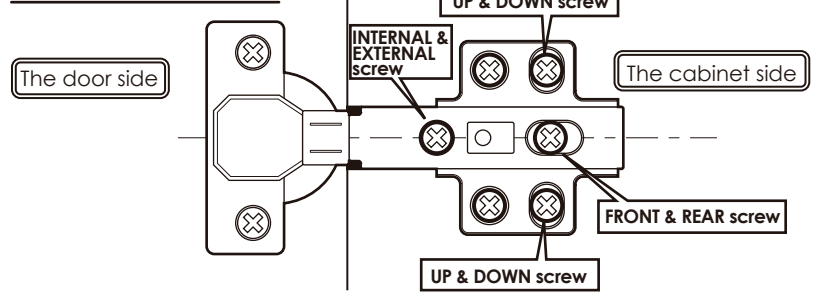


V x 2PCS

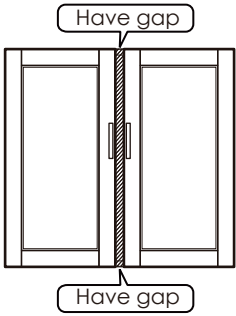
The ways to adjust the door

- Before adjusting the hinge, please check whether the cabinet is skewed.
- If the skew can not be repaired, please remove the anti-tipping device first, then adjust the cabinet to vertical position.
- Please adjust the hinge with the door open.
- Please operate it with more than 2 people, one person holds the door and the other one adjusts the screw.

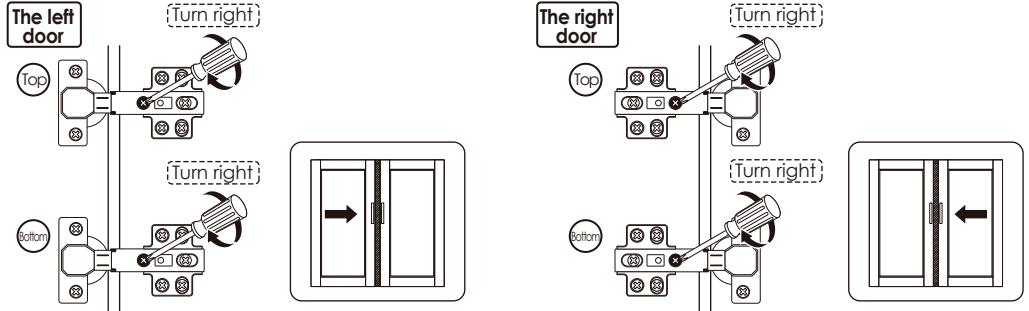
Components Name



Obvious gaps between doors or Doors don't look closed



- 1 Turn "internal & external screw" to the right can make the door approach inside. Please adjust the doors little by little.



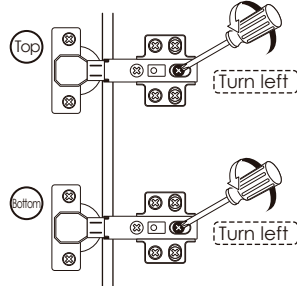
※ If the 2 doors are overlap, please turn the "internal & external screw" to the left.

When door is crooked



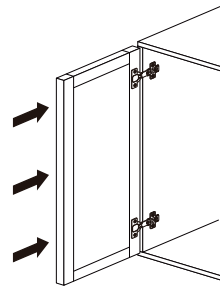
Please take the following steps to adjust first.

- 1 Rotate the "front and rear screws" to the left

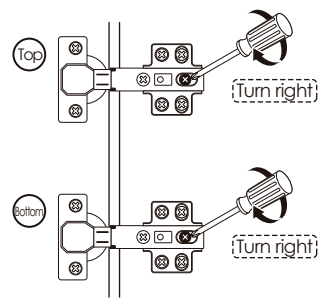


※ After adjusting the "front and rear screw", the door still does not change, please turn the "internal & external screw" to the right slightly.

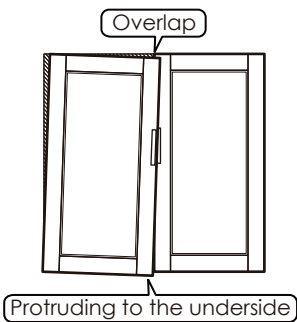
- 2 Push the door to the cabinet



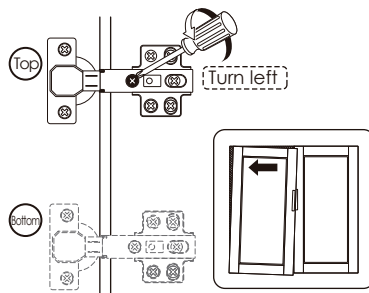
- 3 Rotate the "front and rear screws" to the right



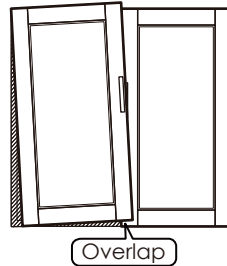
When door is leaning



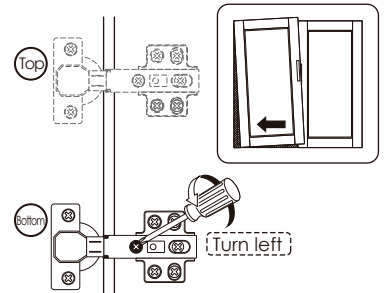
- 1 Turn "internal & external screw" to the left can make the top of the door tilted outward.



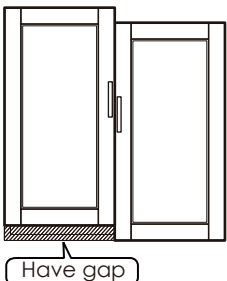
Protruding to the upside



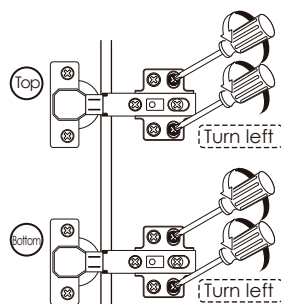
- 1 Turn "internal & external screw" to the left can make the bottom of the door tilted outward.



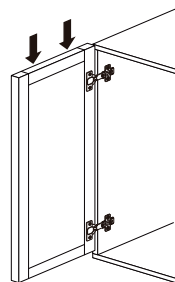
When the door is higher on top



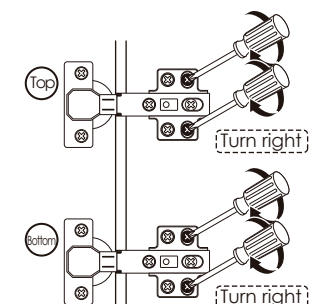
- 1 Turn "up & down screw" to the left



- 2 Lower the door's height so that 2 doors are of the same height.



- 3 Turn "up & down screw" to the right



※ If the door is lower on bottom, please lift up the left door slightly on step 2



WARNING



Children have died from furniture tipover. To reduce the risk of furniture tipover:

- **ALWAYS** install Anti-tip device provided.
- **NEVER** put a TV on this product.
- **NEVER** allow children to stand, climb or hang on drawers, doors, or shelves.
- **NEVER** open more than one drawer at a time.
- Place heaviest items in the lowest drawers.

