

**Set-up Instructions for
IMPERIAL Cabinets and
Option-Desk**



roomandloft

Thank you so much for your purchase!!!

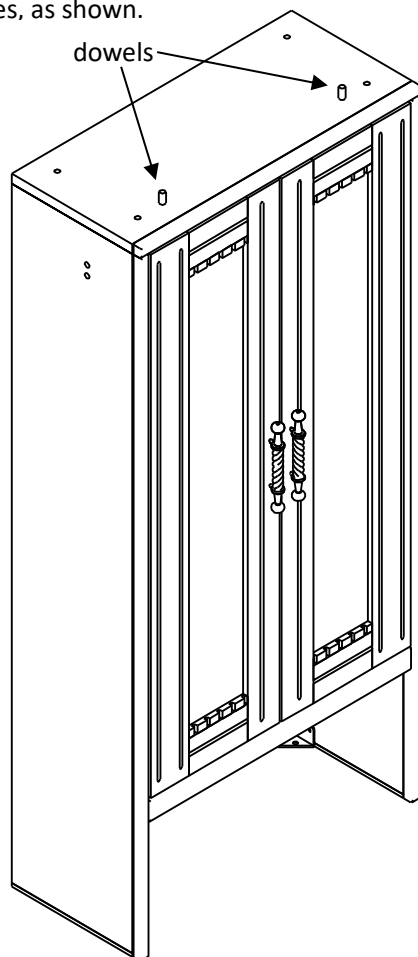
We want to provide you with the best and fastest service possible, so if you need a replacement for a damaged or missing part, or if you have a question...

Please Call Us at 714-455-7446 for Prompt Service.

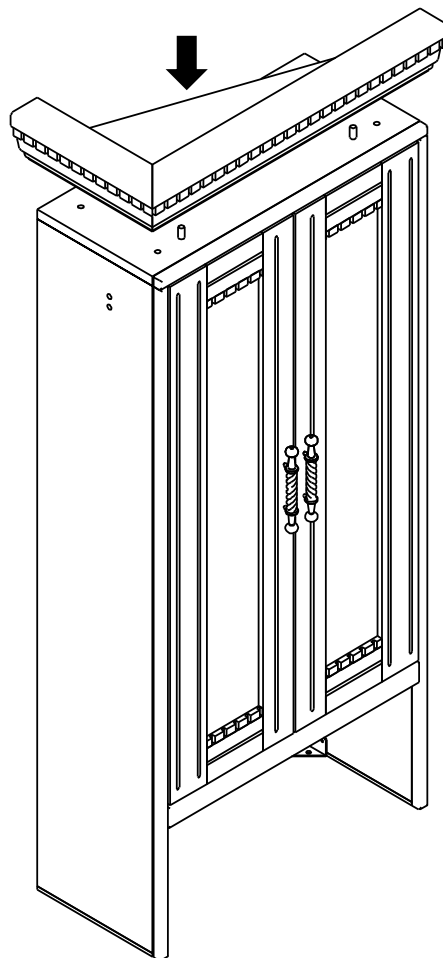
Connecting the Pier crown to the topper.

STEP 1: Remove the Crown tops and shelves from inside the topper.

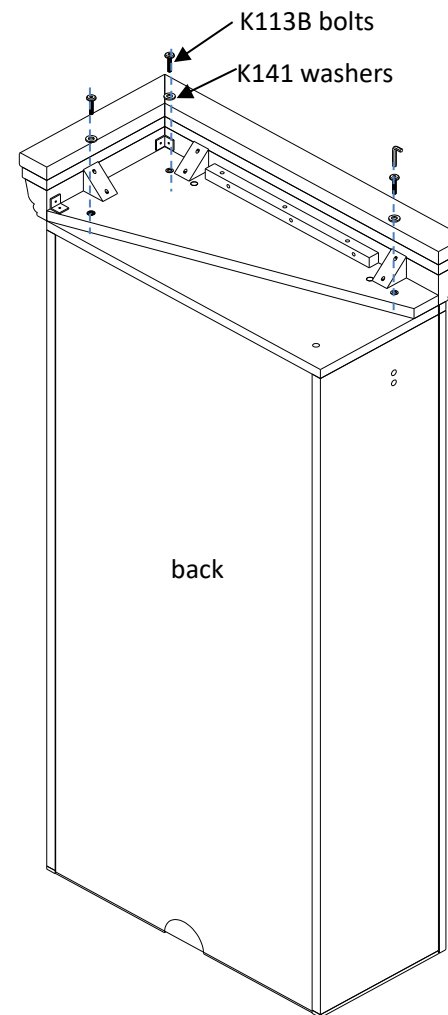
STEP 2: Place the two K129 dowels into the holes, as shown.



STEP 3: Choose the correct crown, right or left, and set it onto the topper using the dowels to with correct alignment.



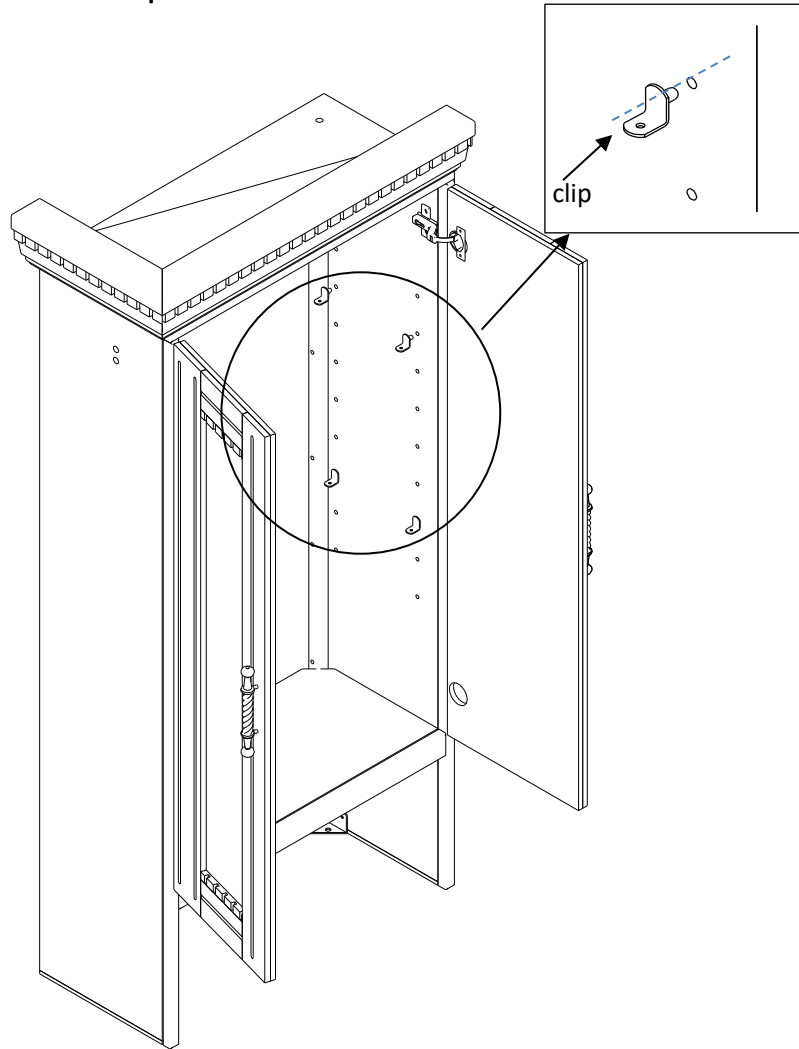
STEP 4: From the top of the crown, insert the K113B bolts with K141B washers, as shown below, to connect the crown to the topper.



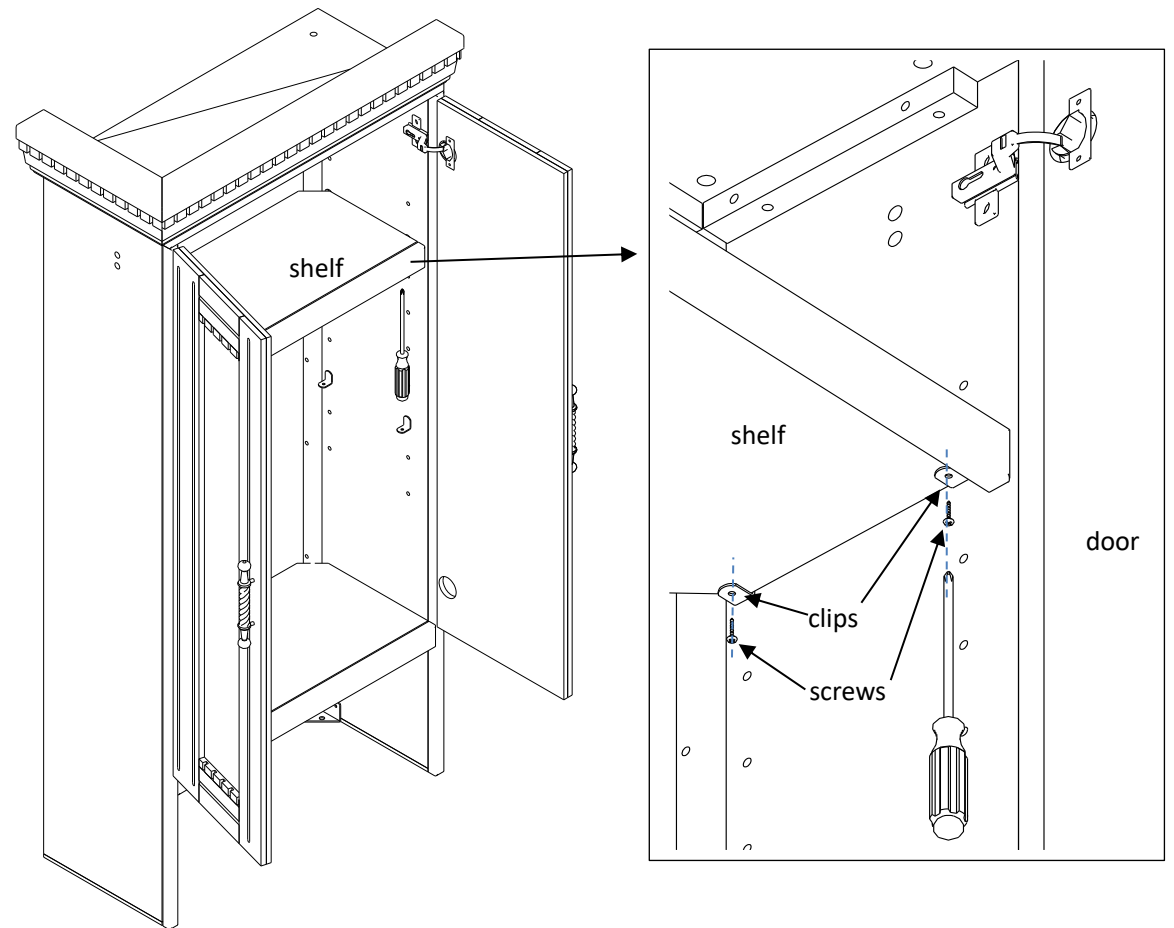
Install the adjustable shelves

STEP 1: Place the shelf clips into the sides of topper. Each shelf needs four clips.

Be sure all clips for each shelf are level.



STEP 2: Place the shelves onto the clips. Use the K123 screws to connect the clips to the wood shelves.



Attaching the Pier Topper to the 3-Drawer Base, and the connecting the assembled pier to the Bed Case.

STEP 1
Carefully place the pier topper onto the 3-drawer Base, flush on the sides and back.

STEP 2
Using the supplied Allen wrench, securely connect the topper and the drawer base together with the K113B bolts.

STEP 3A
Now attach the pier to the bed case using the K113 bolt and K128 binding barrel. Connect through the pier topper side panel and through the Bed Case side panel.

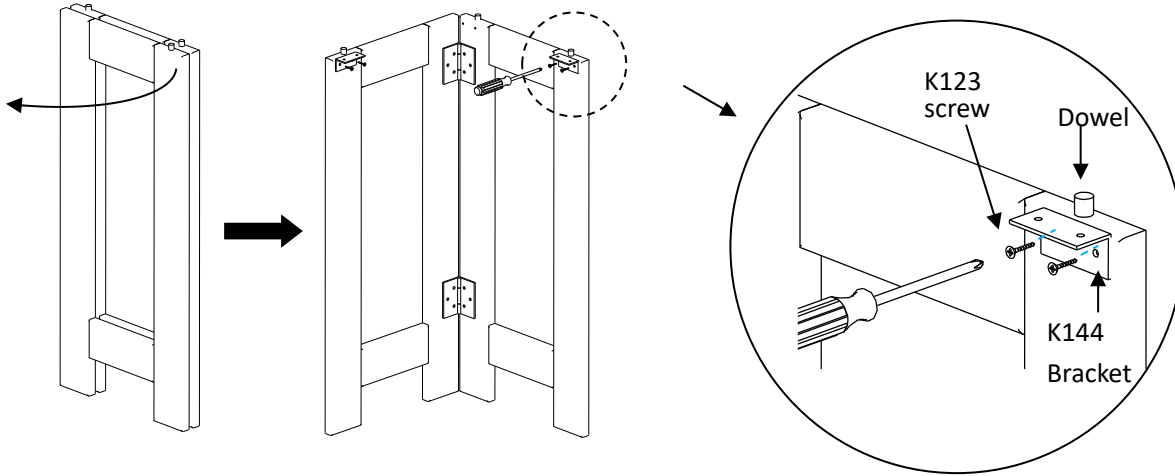
STEP 3B
On the outside of the pier topper, insert the K142 wood plugs to cover the exposed connection holes.

Labels: K160 Wrench, TOPPER, K113B Bolt, BASE, 3B, 3A, K113B Bolt, K128 Barrel, K142 finish-matched wood plug.

Setting up the Option Desk page 1

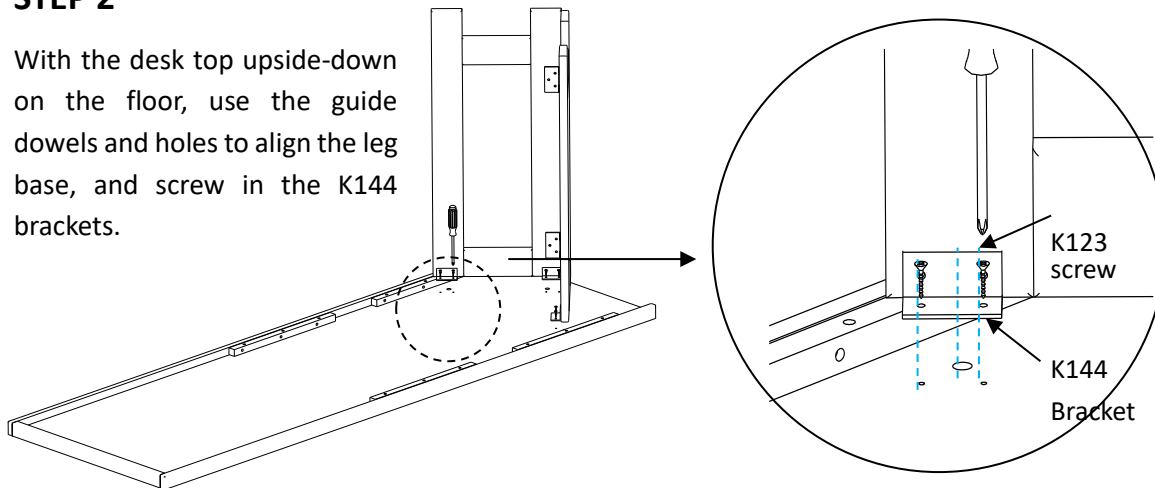
STEP 1

Unfold the Leg Base and attach the L-shaped K144 bracket to each leg as shown.

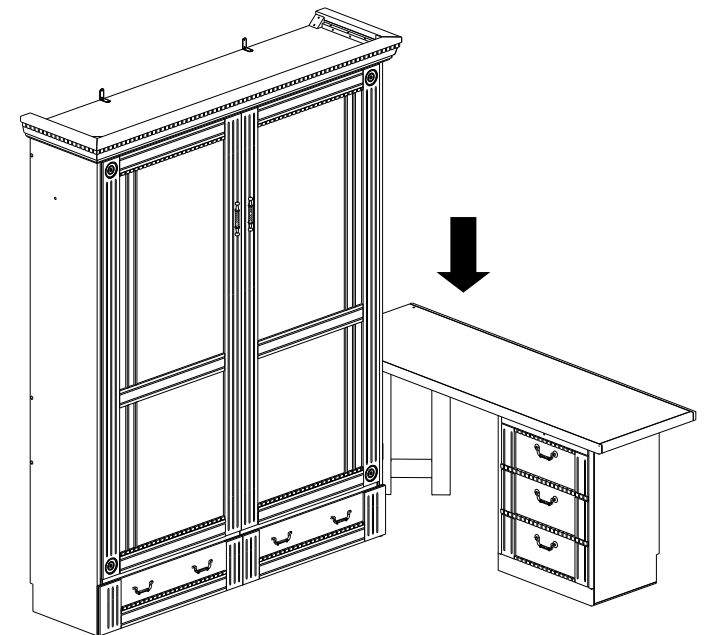


STEP 2

With the desk top upside-down on the floor, use the guide dowels and holes to align the leg base, and screw in the K144 brackets.

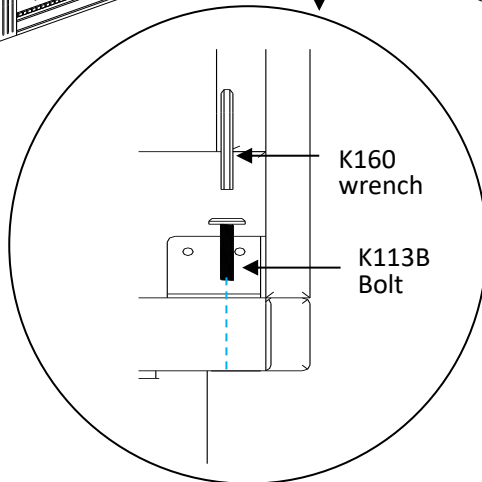
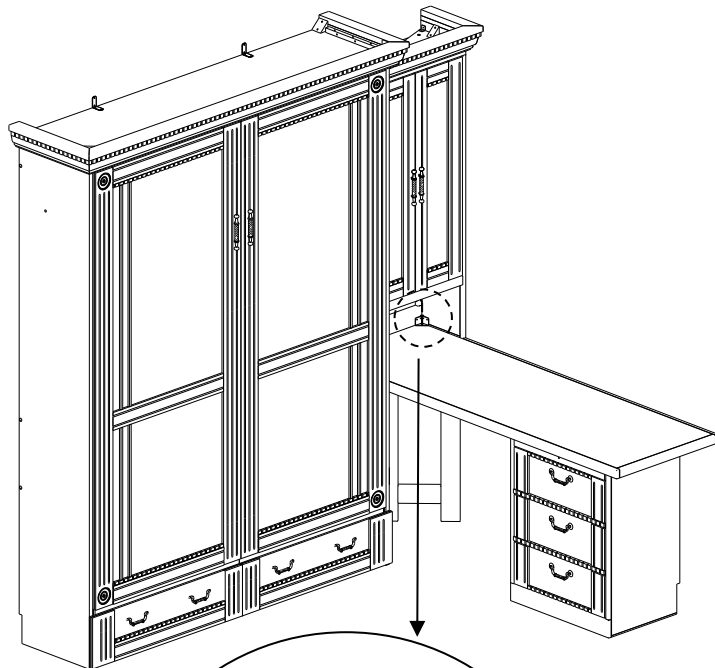


STEP 3: Set the desk top square against the Bed Case and back to the wall, and position the 3-drawer base under the open end of the Desk



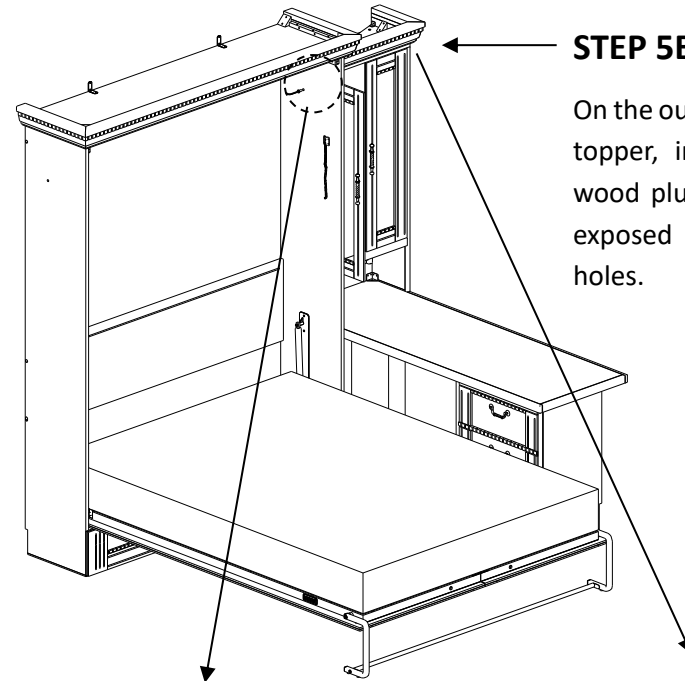
STEP 4

With the supplied Allen wrench, securely connect the topper and the desktop together using the K113B bolts.



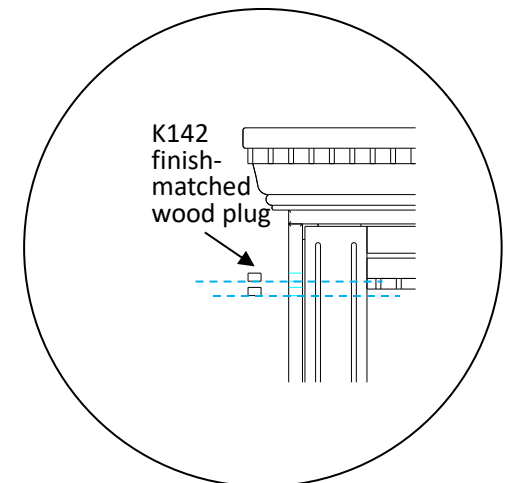
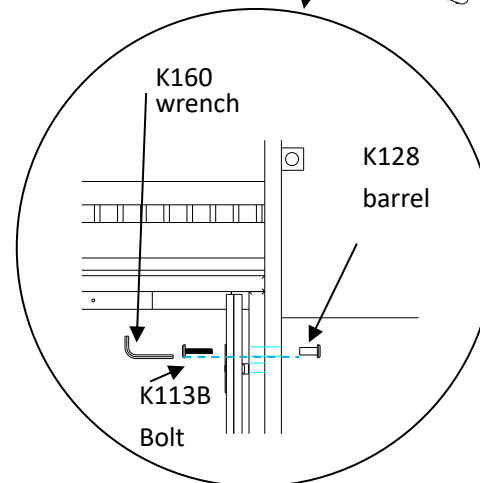
STEP 5A

Now attach the topper to the bed case using the K113 bolt and K128 binding barrel. Connect through the pier topper side panel and through the Bed Case side panel

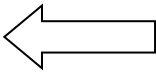
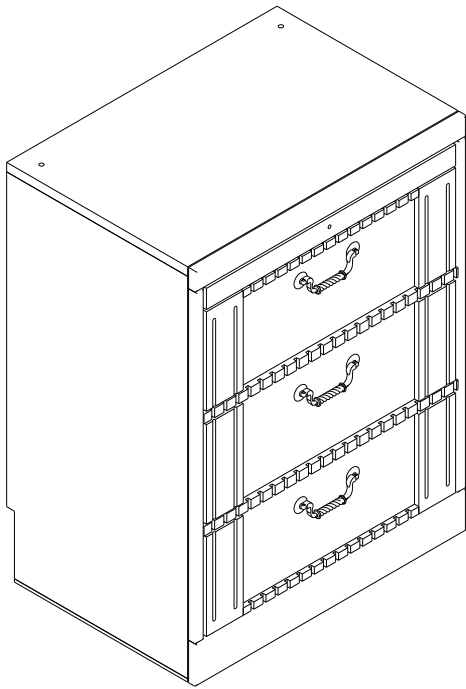


STEP 5B


On the outside of the pier topper, insert the K142 wood plugs to cover the exposed connection holes.



IM-230 3 DRAWER CASE



UP

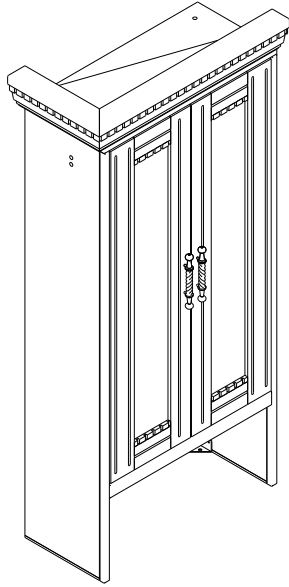


IM230-HC
Moderne
Chocolat
PO 13212

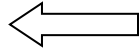
3DWR/ROS DRAWER BASE
C.FT 9.07
CM 0.257
LBS 54
KG 24.5




US PATENT PENDING

NO BUBBLE PACK



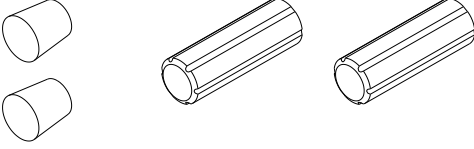
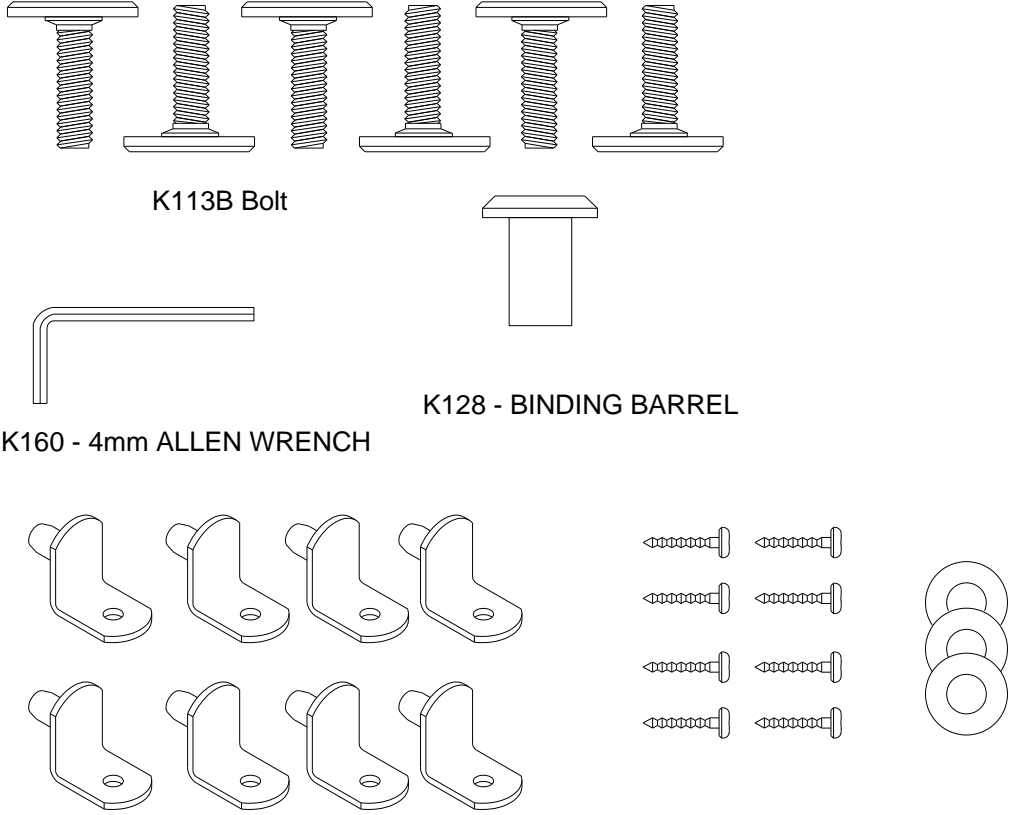
IM-248LR DOOR TOPPER



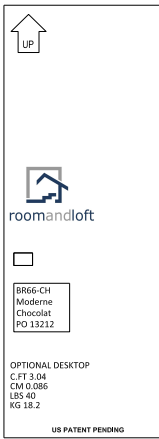
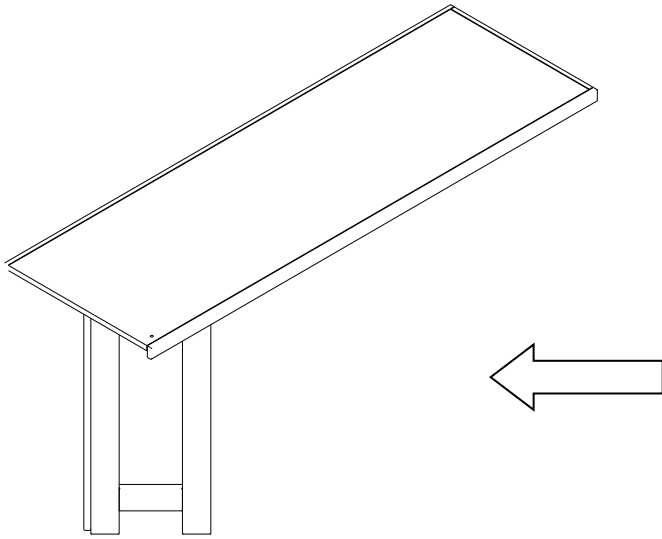
 UP


 RR148-CH
 Moderne
 Chocolat
 PO 13212

 OPEN SHELF TOPPER
 C.FT 9.78
 CM 0.276
 LBS 50
 KG 22.73

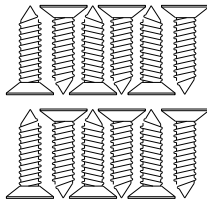
 US PATENT PENDING

<p>HARDWARE BAG</p>	 <p>K142 PLUG K129 DOWEL</p>
<p>BUBBLE PACK</p>	 <p>K113B Bolt</p> <p>K160 - 4mm ALLEN WRENCH</p> <p>K128 - BINDING BARREL</p> <p>K131 CLIP</p> <p>K123 SCREW</p> <p>K141B WASHER</p>

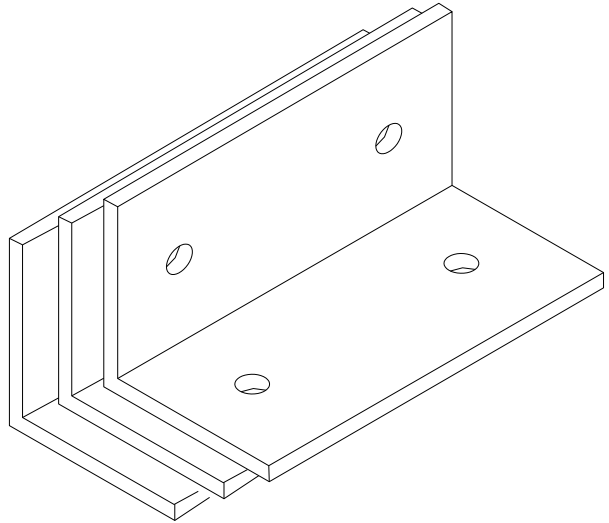
IM66 OPTION DESK TOP



**BUBBLE
PACK**



K123 - FSCREW #8 X 5/8"



K114 -BRACKET