



## WARNING!

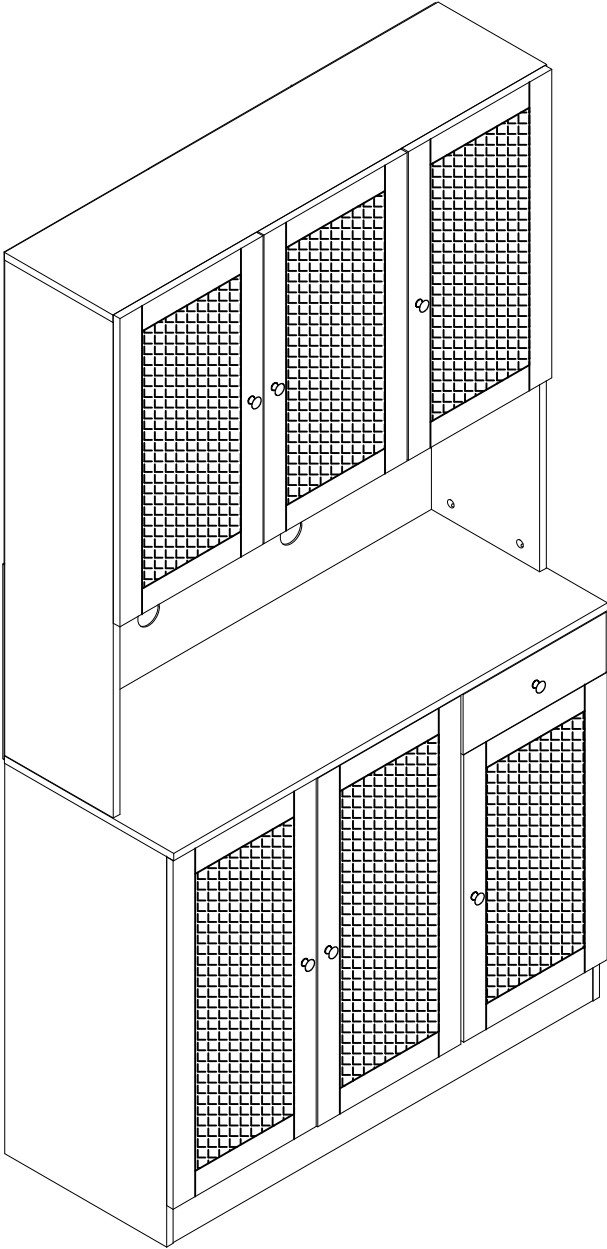
Children have died from furniture tipover. Fixed wall device have been included with this product;you must install the fixed wall device according to these instructions in order to minimize the risk of furniture.If you have any questions about this product or the Fixed wall device , please contact us immediately.

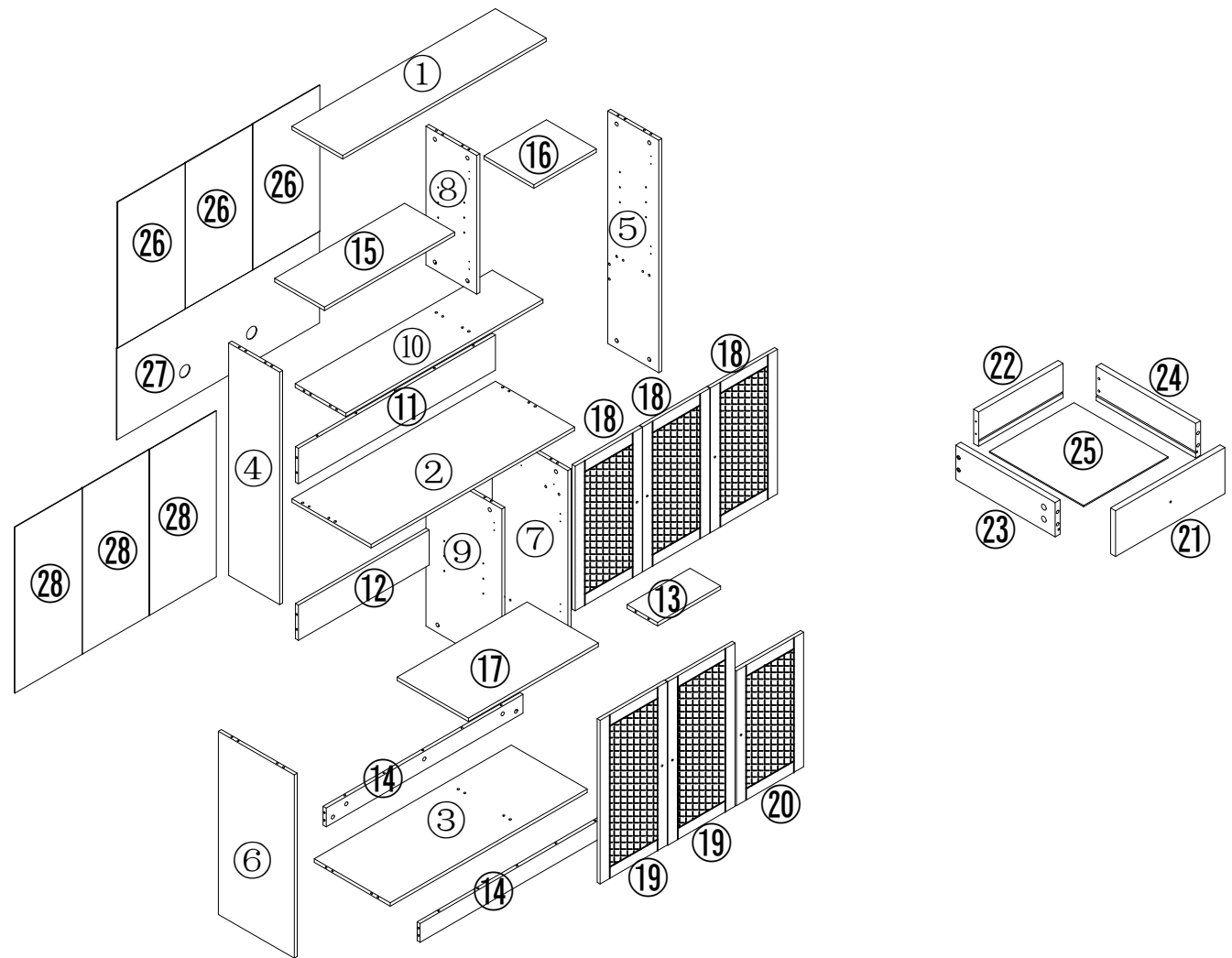
Never allow children to climb or hang on furniture,including drawers or cabiner doors.






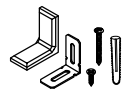
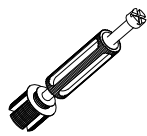

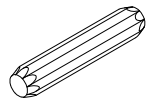
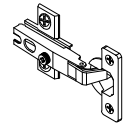
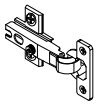
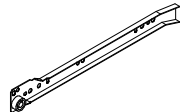
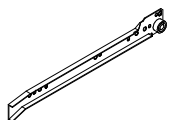
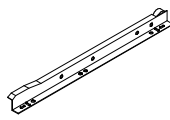
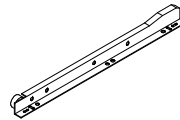

In addition to installing the restrains,to help prevent tip-over.

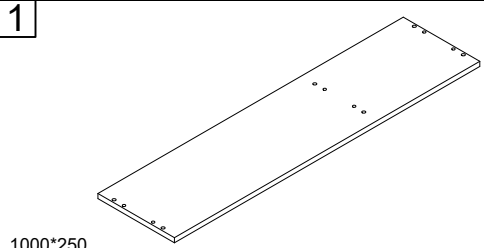
1. Never put a TV or other heavy objects on top of this product.
2. Do not stand on the product.

<b>⚠ WARNING</b>	
	<p><b>Children have died from furniture tipover. To reduce the risk of furniture tipover:</b></p> <ul style="list-style-type: none"><li>• ALWAYS install tipover restraint provided.</li><li>• NEVER put a TV on this product.</li><li>• NEVER allow children to stand, climb or hang on drawers, doors, or shelves.</li><li>• NEVER open more than one drawer at a time.</li><li>• Place heaviest items in the lowest drawers.</li><li>• Do not defeat or remove the drawer interlock system.</li></ul>
	<p><i>This is a permanent label. Do not remove!</i></p>

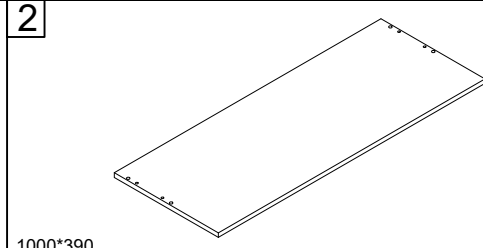




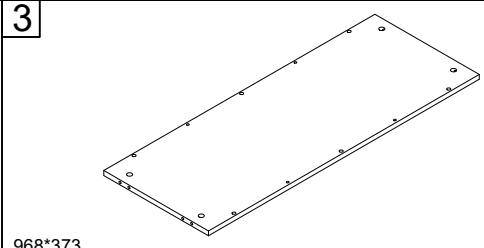
<b>K</b>  7PCS	<b>L</b> 4*20  7PCS	<b>M</b> 3.5*14  80PCS	<b>N</b> 3.5*35  4PCS	<b>O</b>  60PCS	<b>P</b>  2PCS				
<b>A</b>  57PCS	<b>B</b>  57PCS	<b>C</b> 8*40  38PCS	<b>D</b>  8PCS	<b>E</b>  4PCS	<b>F</b> 300mm  1PCS	<b>G</b> 300mm  1PCS	<b>H</b> 300mm  1PCS	<b>I</b> 300mm  1PCS	<b>J</b>  12PCS



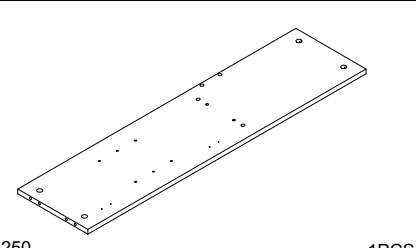
1 1000\*250 1PCS



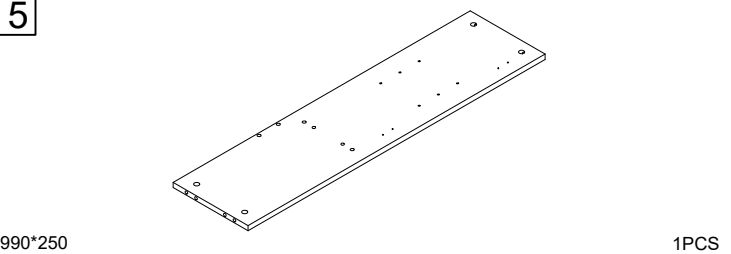
2 1000\*390 1PCS



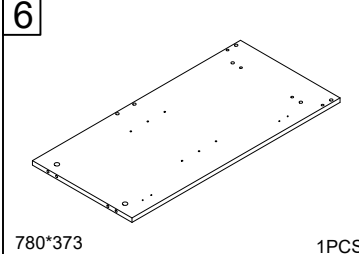
3 968\*373 1PCS



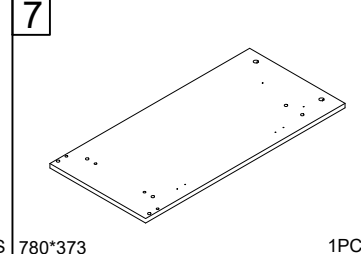
4 990\*250 1PCS



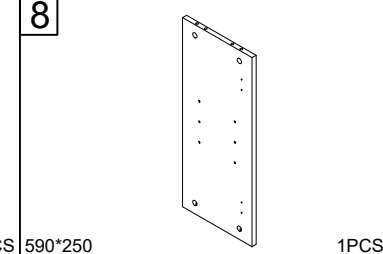
5 990\*250 1PCS



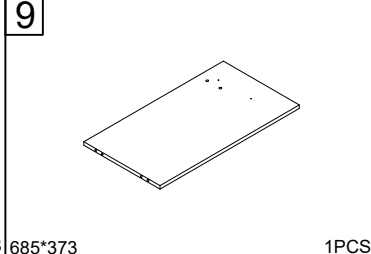
6 780\*373 1PCS



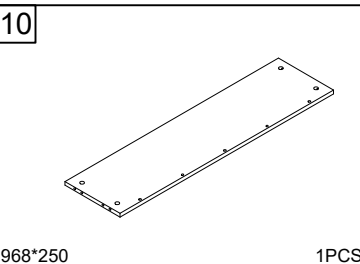
7 780\*373 1PCS



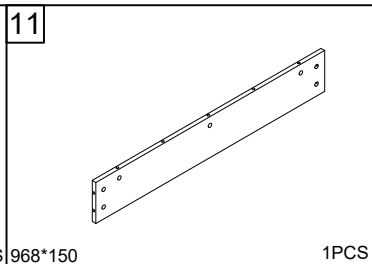
8 590\*250 1PCS



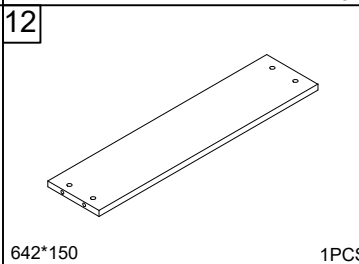
9 685\*373 1PCS



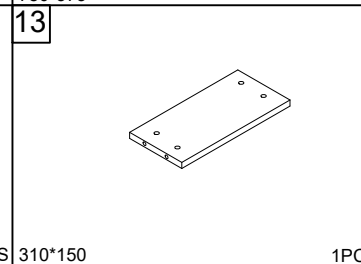
10 968\*250 1PCS



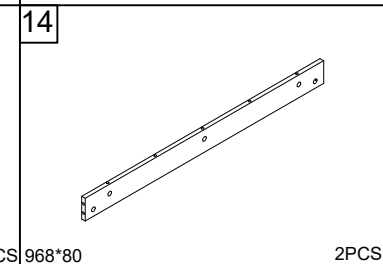
11 968\*150 1PCS



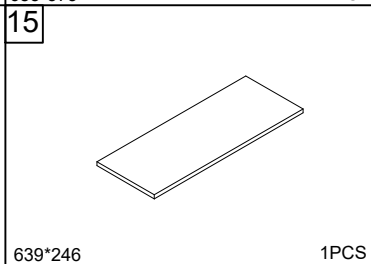
12 642\*150 1PCS



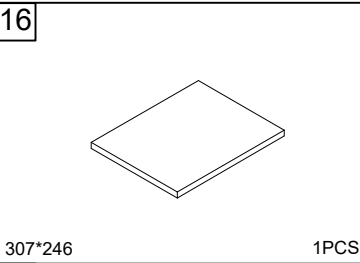
13 310\*150 1PCS



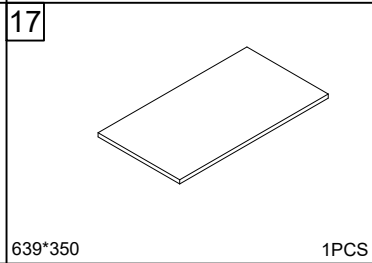
14 968\*80 2PCS



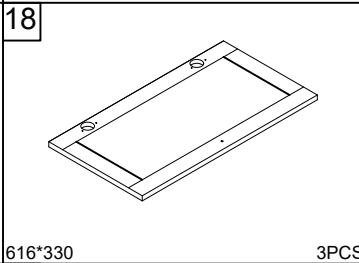
15 639\*246 1PCS



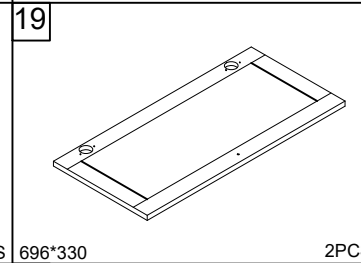
16 307\*246 1PCS



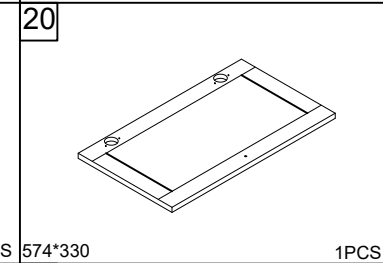
17 639\*350 1PCS



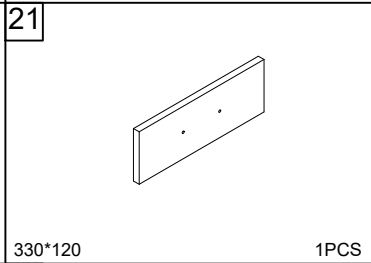
18 616\*330 3PCS



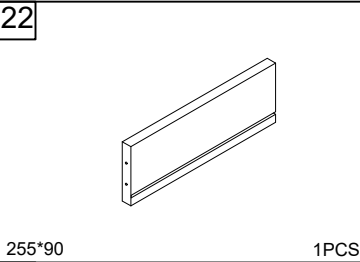
19 696\*330 2PCS



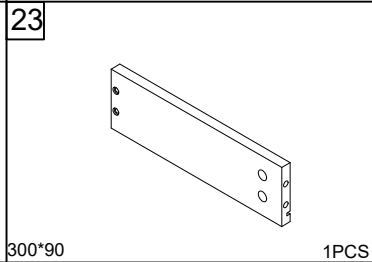
20 574\*330 1PCS



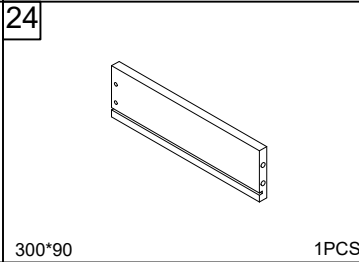
21 330\*120 1PCS



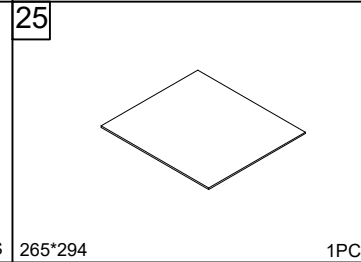
22 255\*90 1PCS



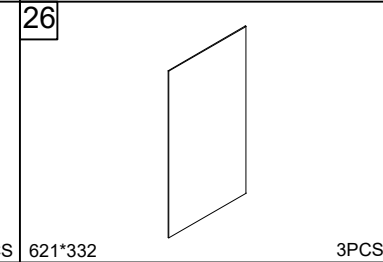
23 300\*90 1PCS



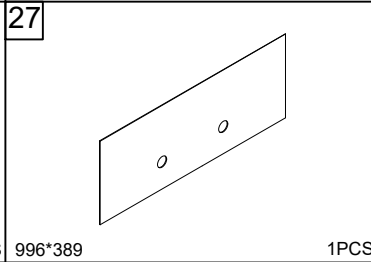
24 300\*90 1PCS



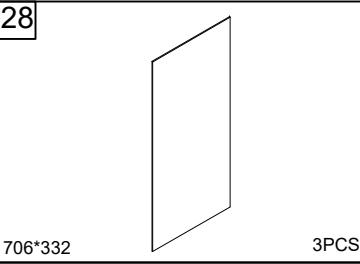
25 265\*294 1PCS



26 621\*332 3PCS



27 996\*389 1PCS



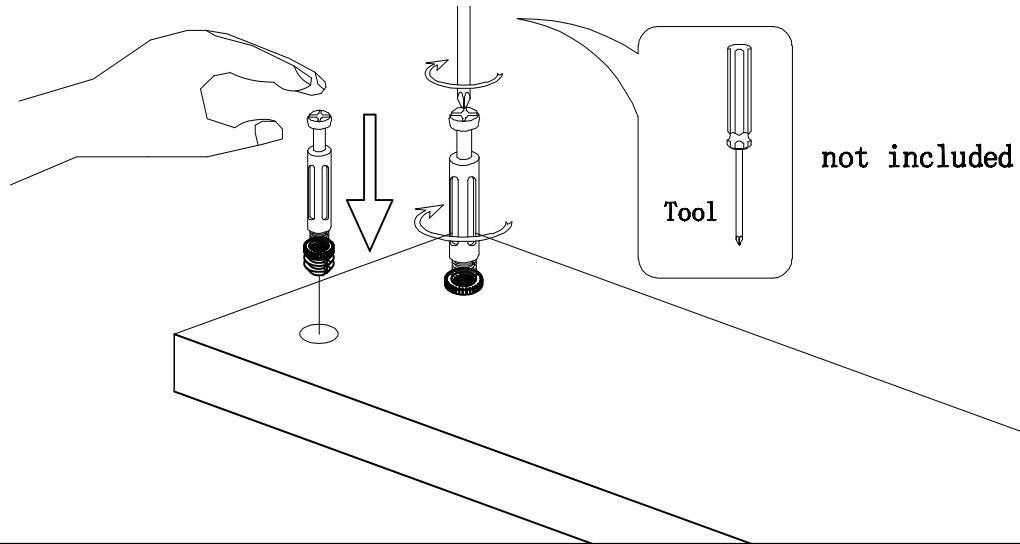
28 706\*332 3PCS



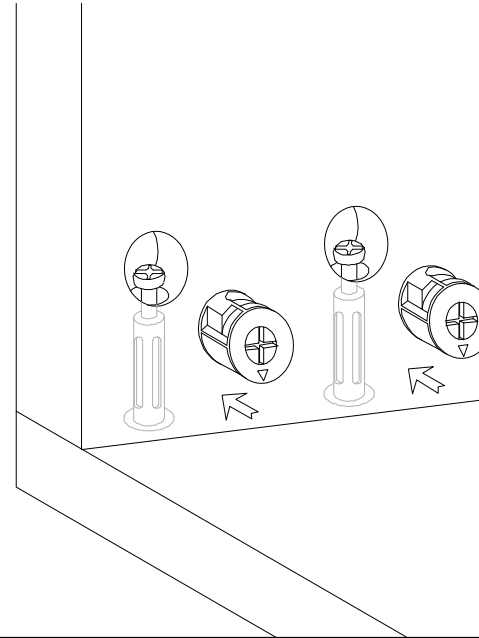
## Hardware installation demonstration

NOTE: Please make sure "A" hardware tightened and can't be pulled out!

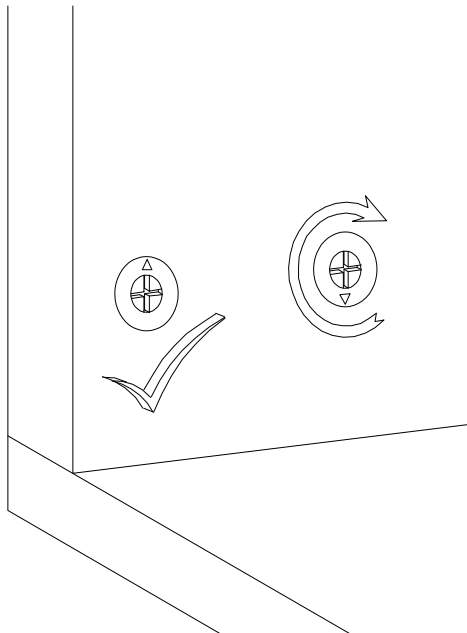
I



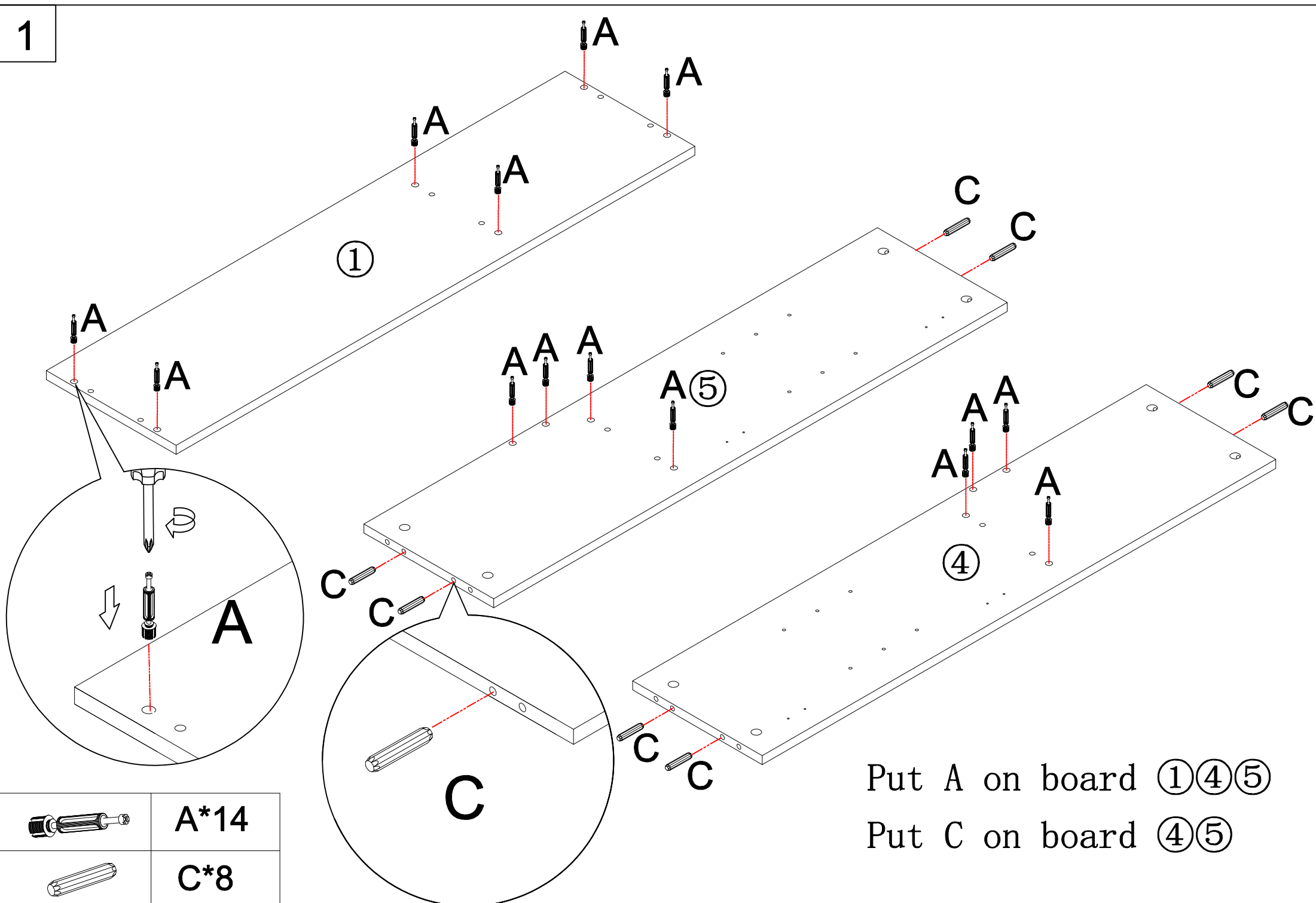
II



III

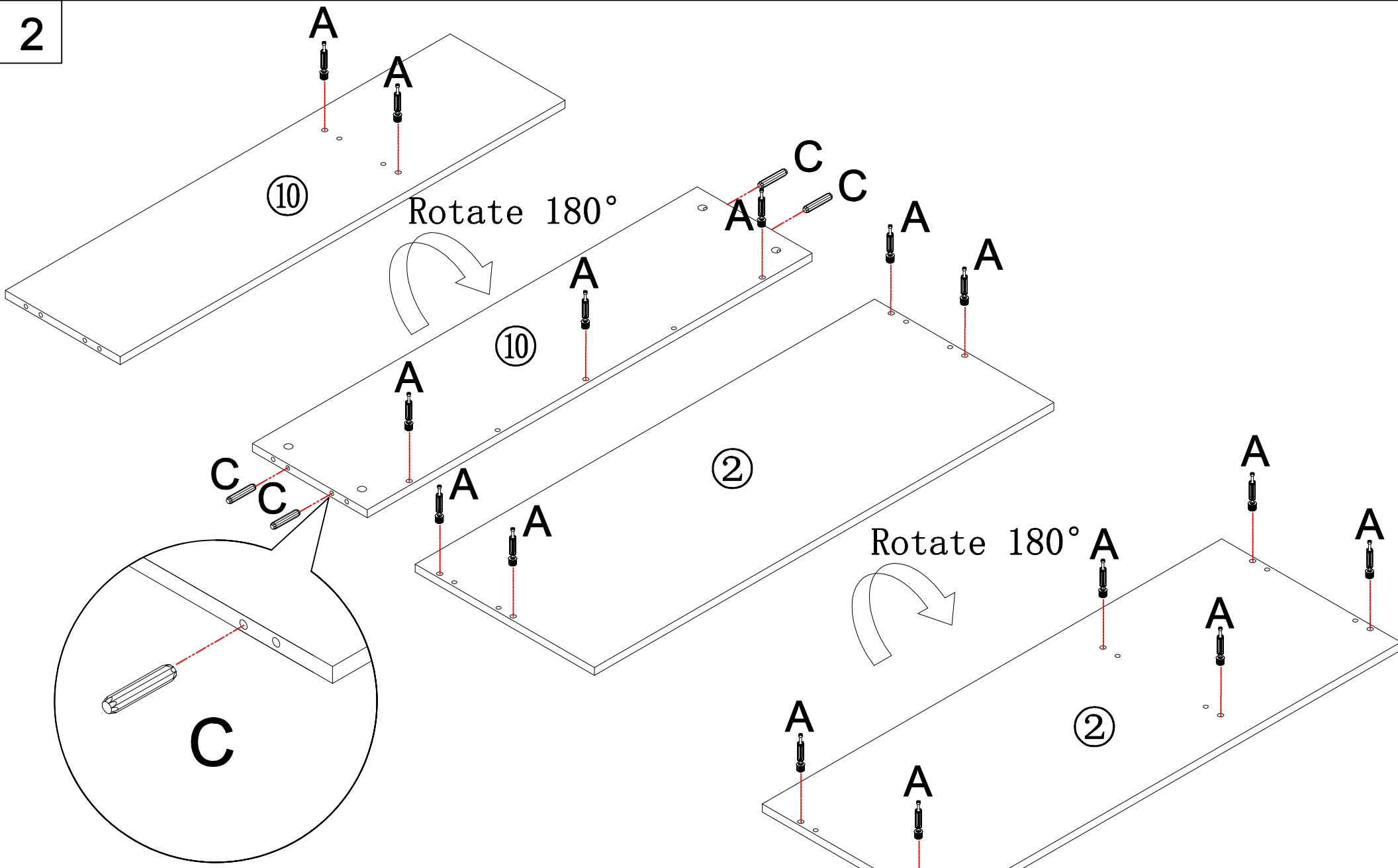


1



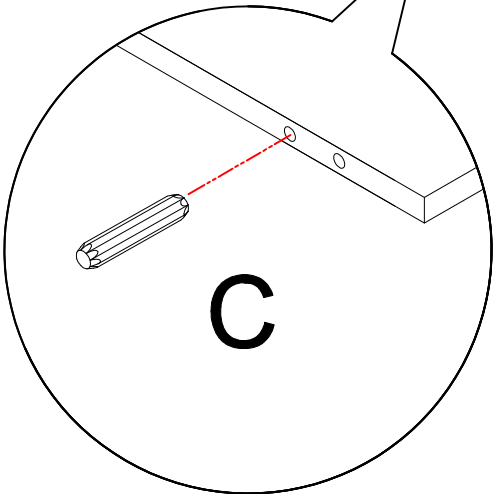
Put A on board ①④⑤



Put C on board ④⑤



Rotate 180°

Rotate 180°

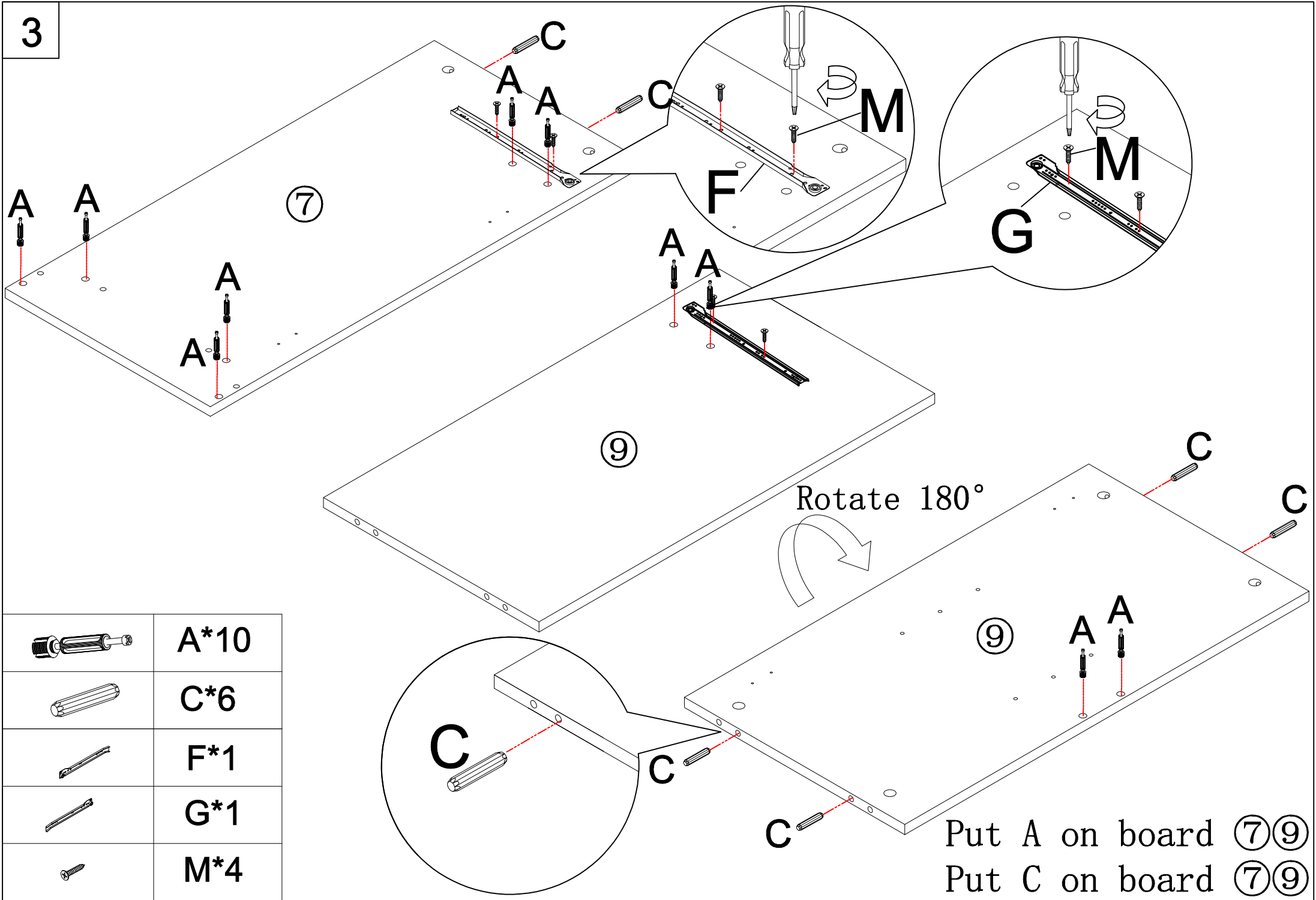


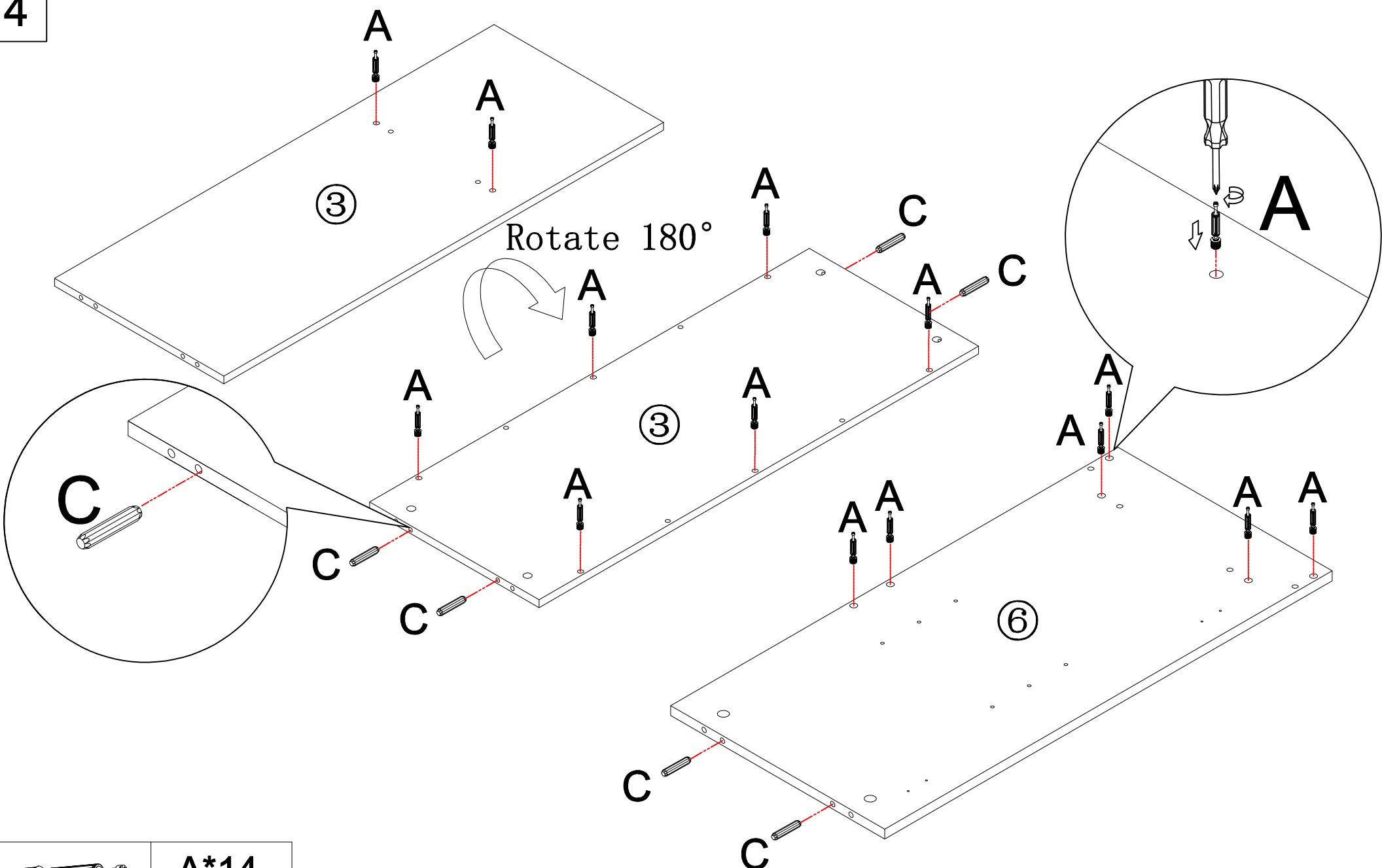
	A*15
	C*4



Put A on board ②⑩

Put C on board ⑩

3

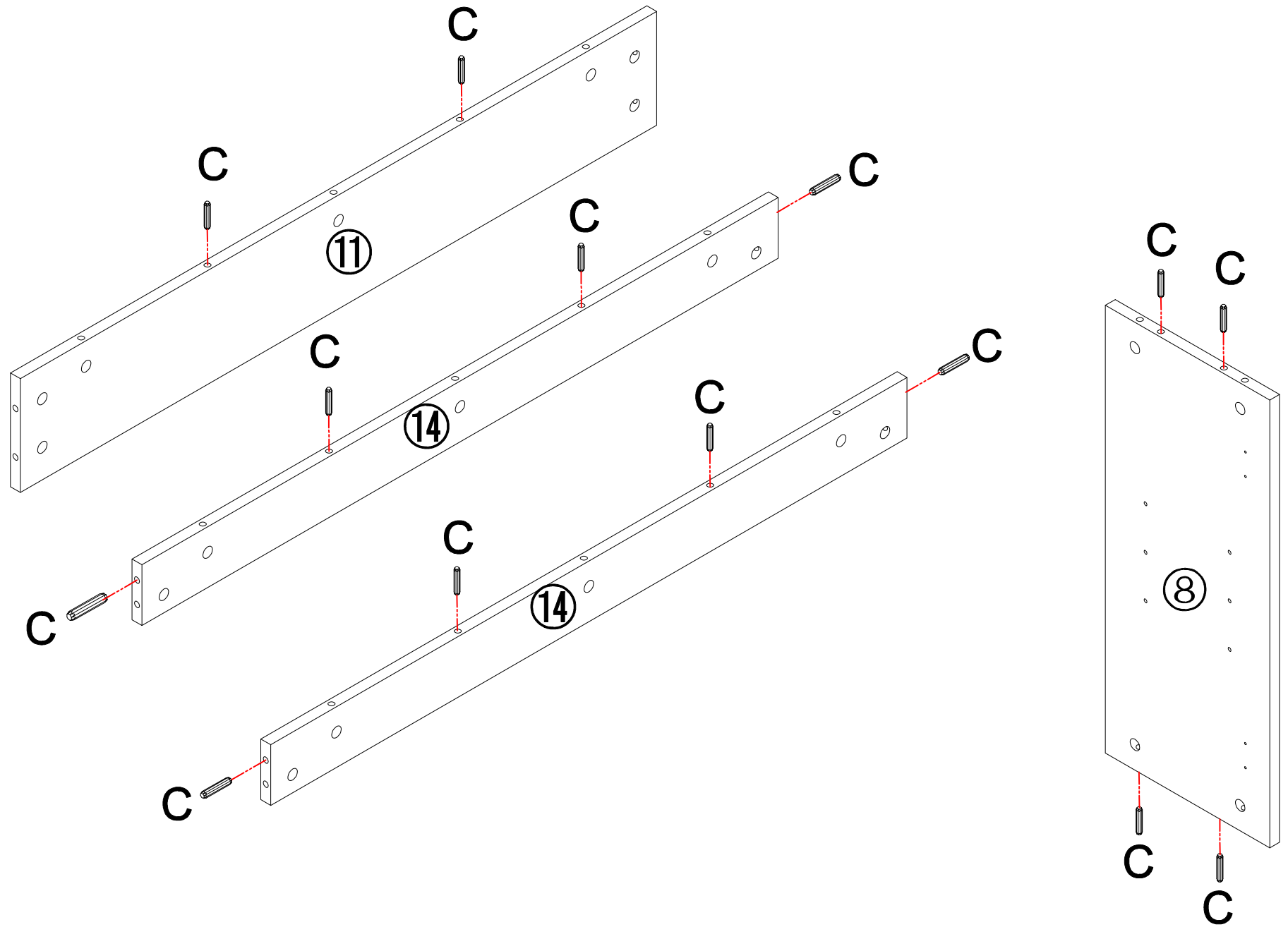




	A*14
	C*6

Put A on board ③⑥  
Put C on board ③⑥

5

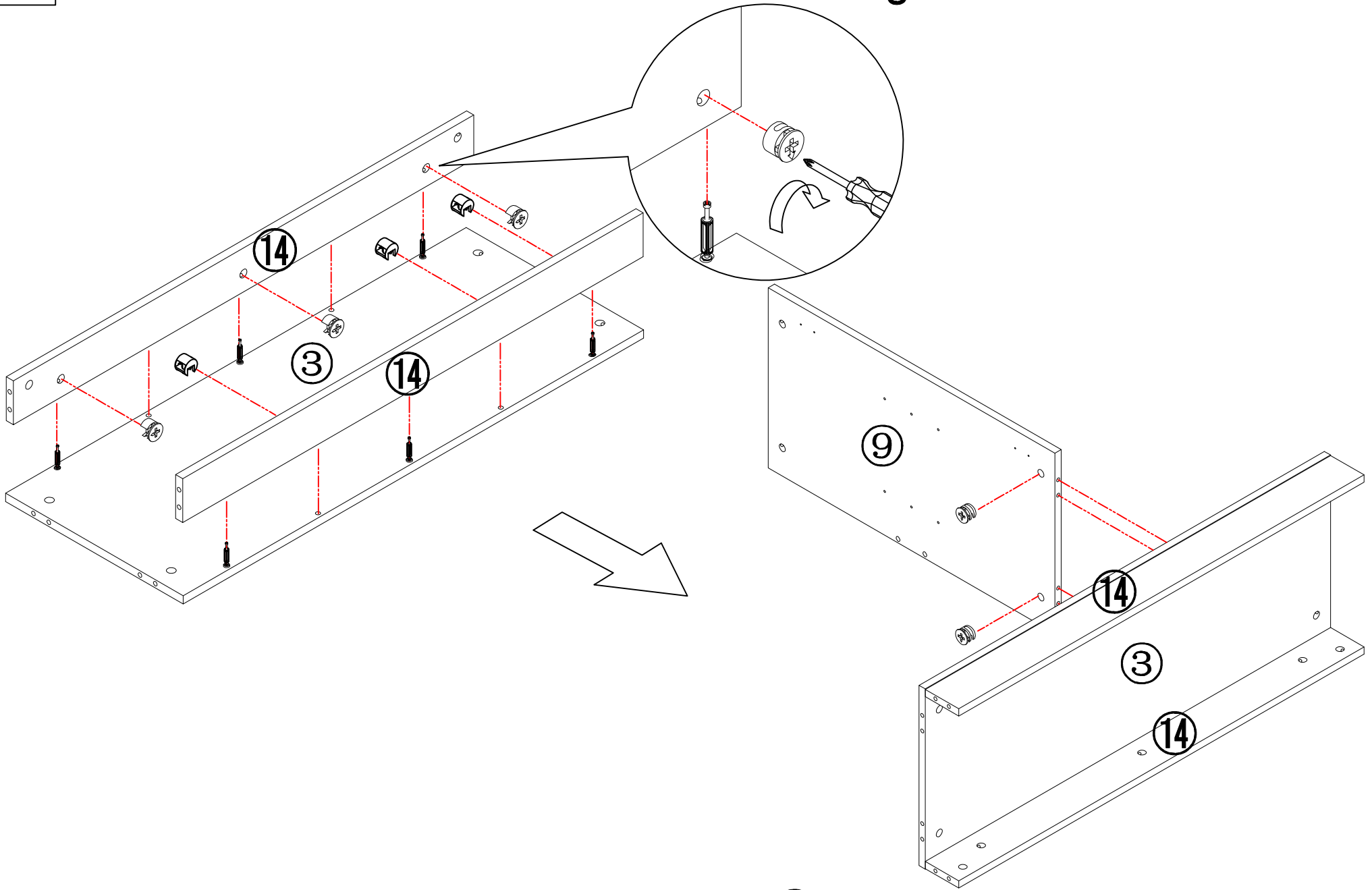


C\*14

Put C on board ⑧⑪⑭

6

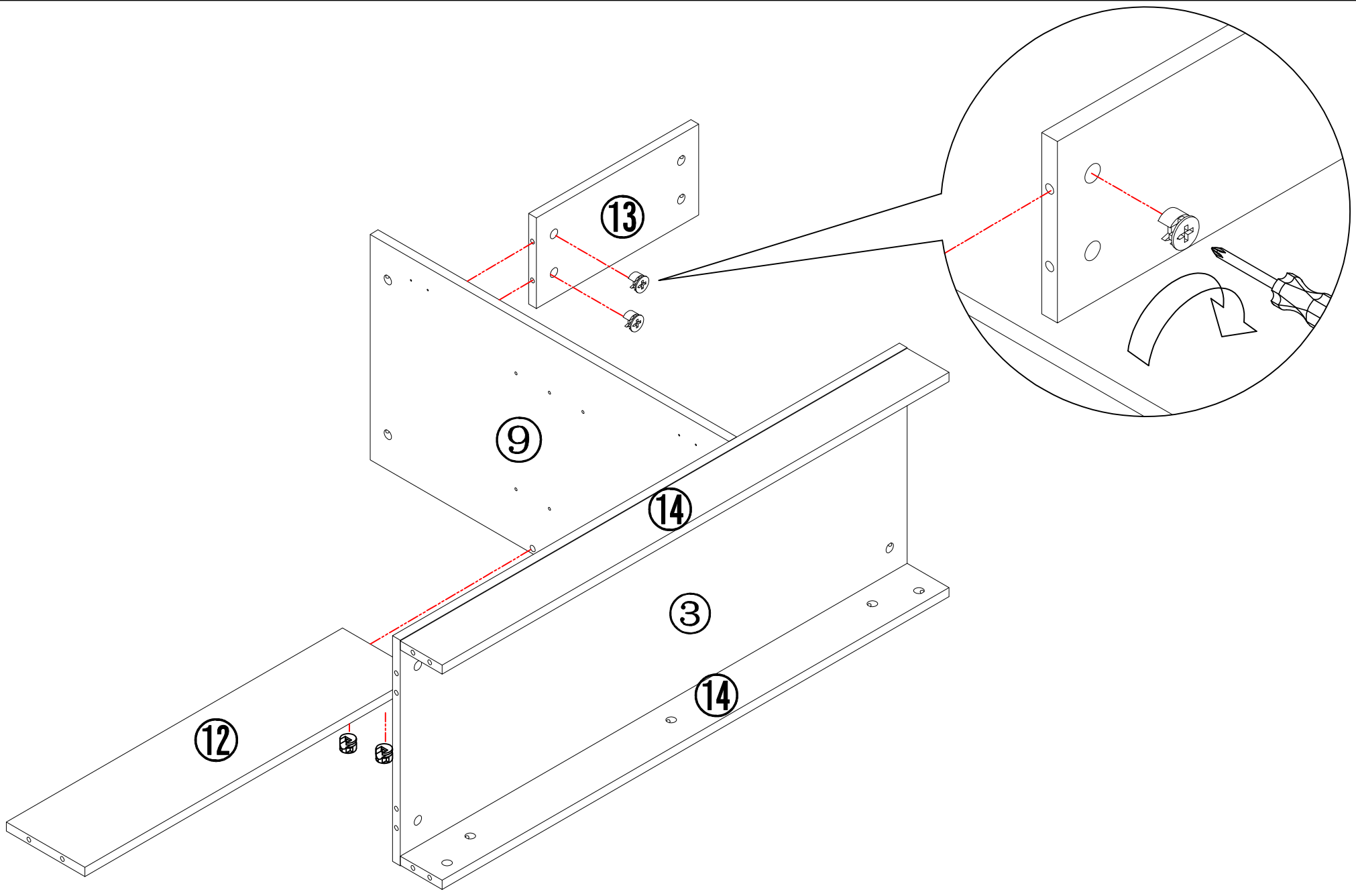
Make sure the arrow on the screw align to the hole on the side



B\*8

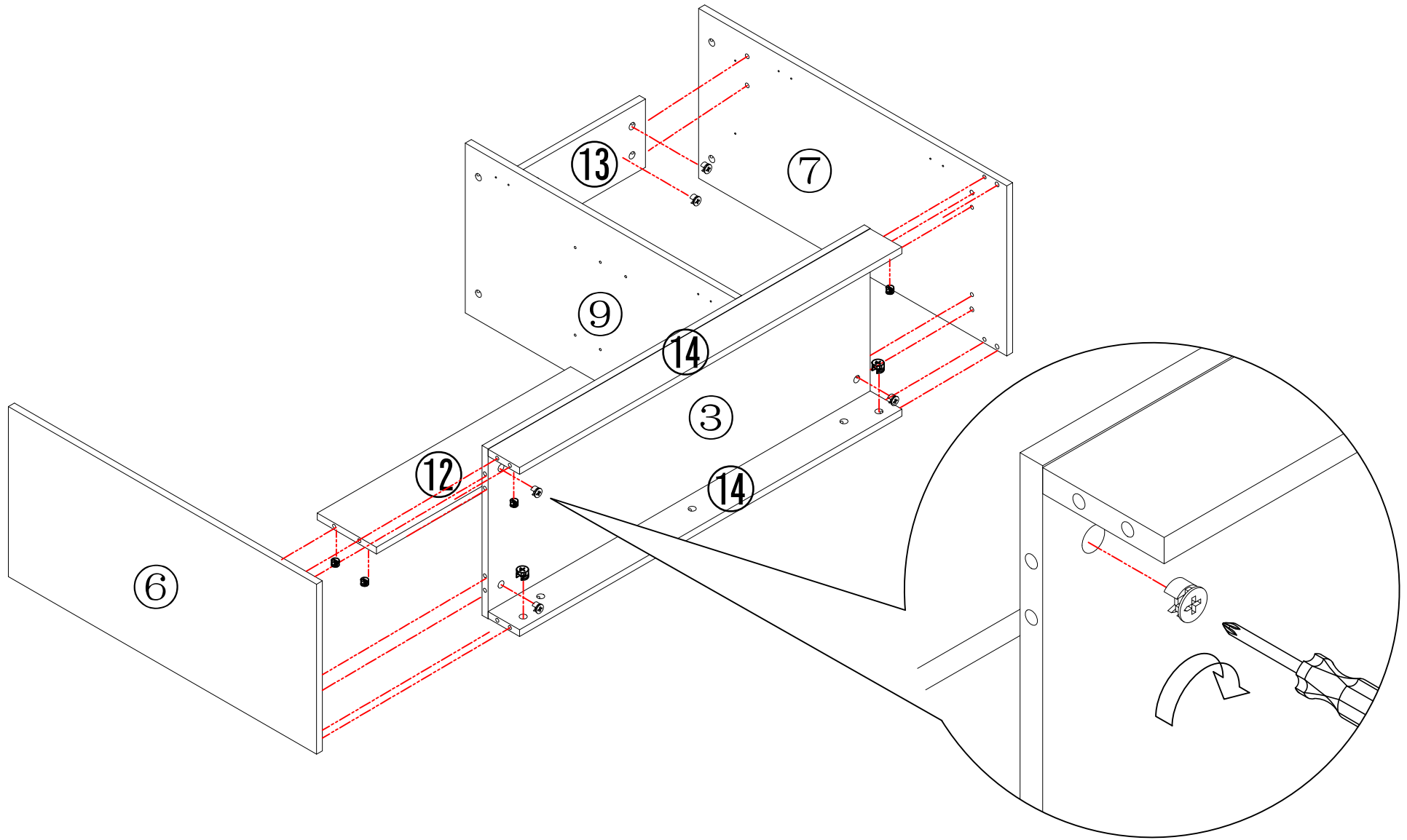
Put B on board ⑨⑭

7



B\*4

Put B on board 12 13

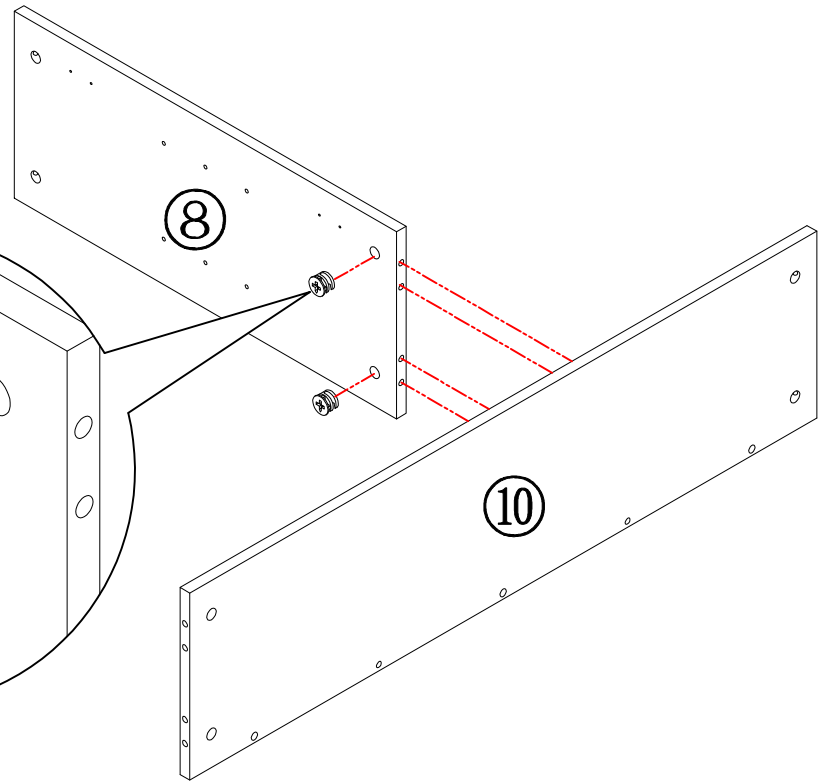
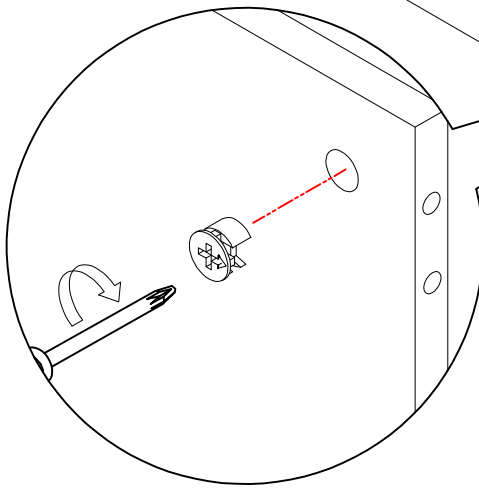
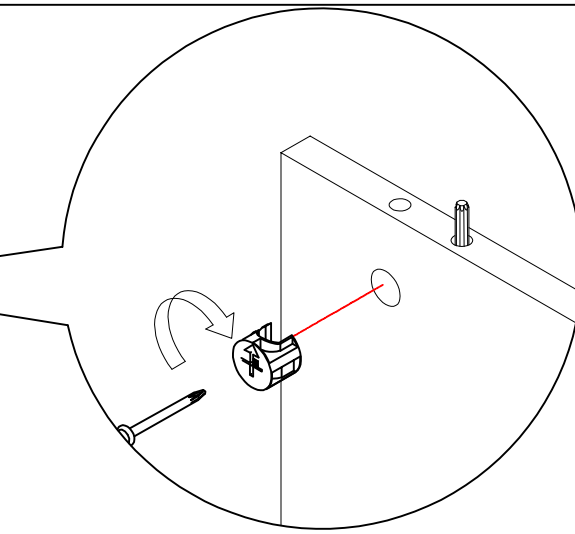
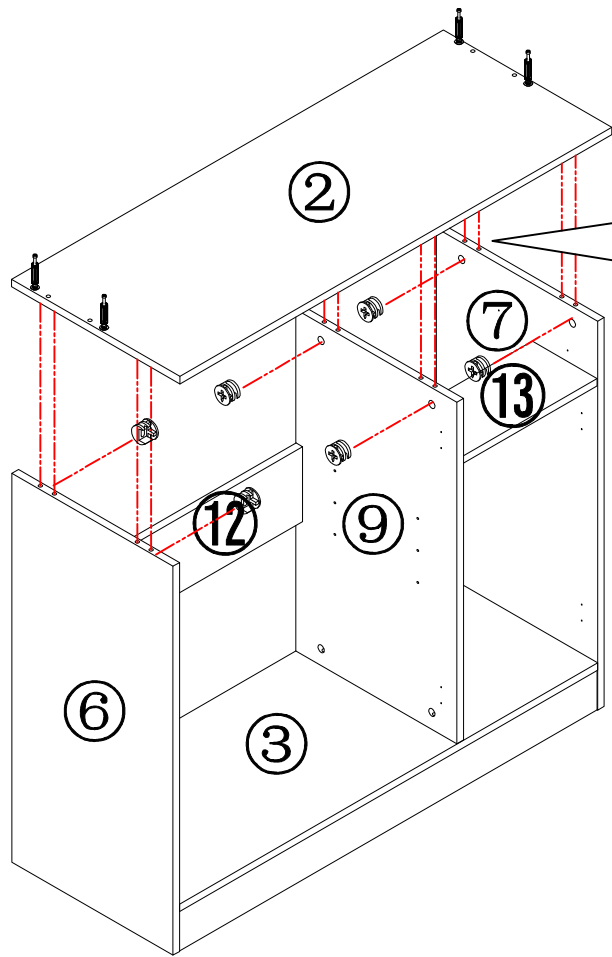


Put B on board ③⑫⑬⑭



B\*12

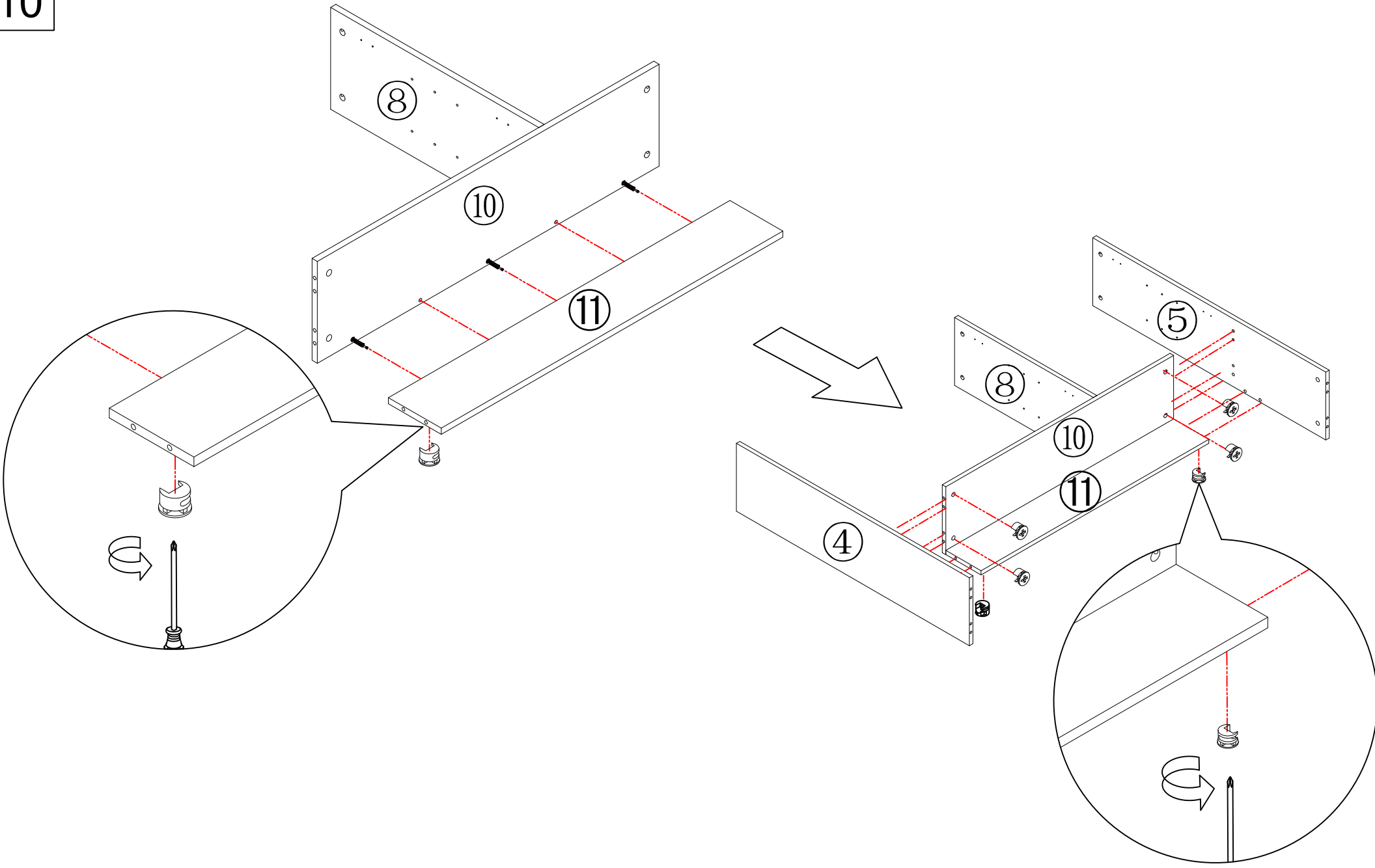
9



Put B on board ⑥⑦⑧⑨

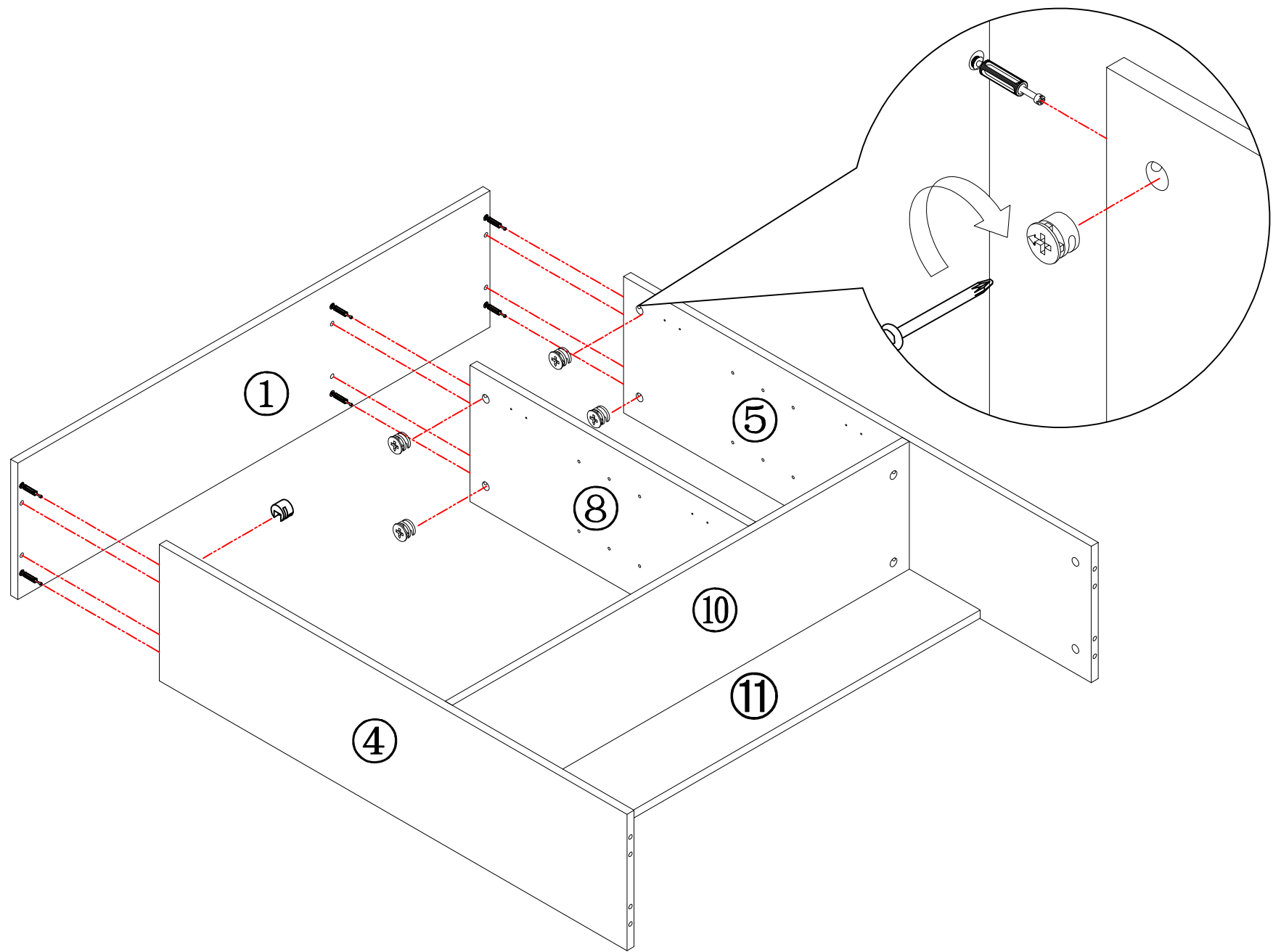


B\*8



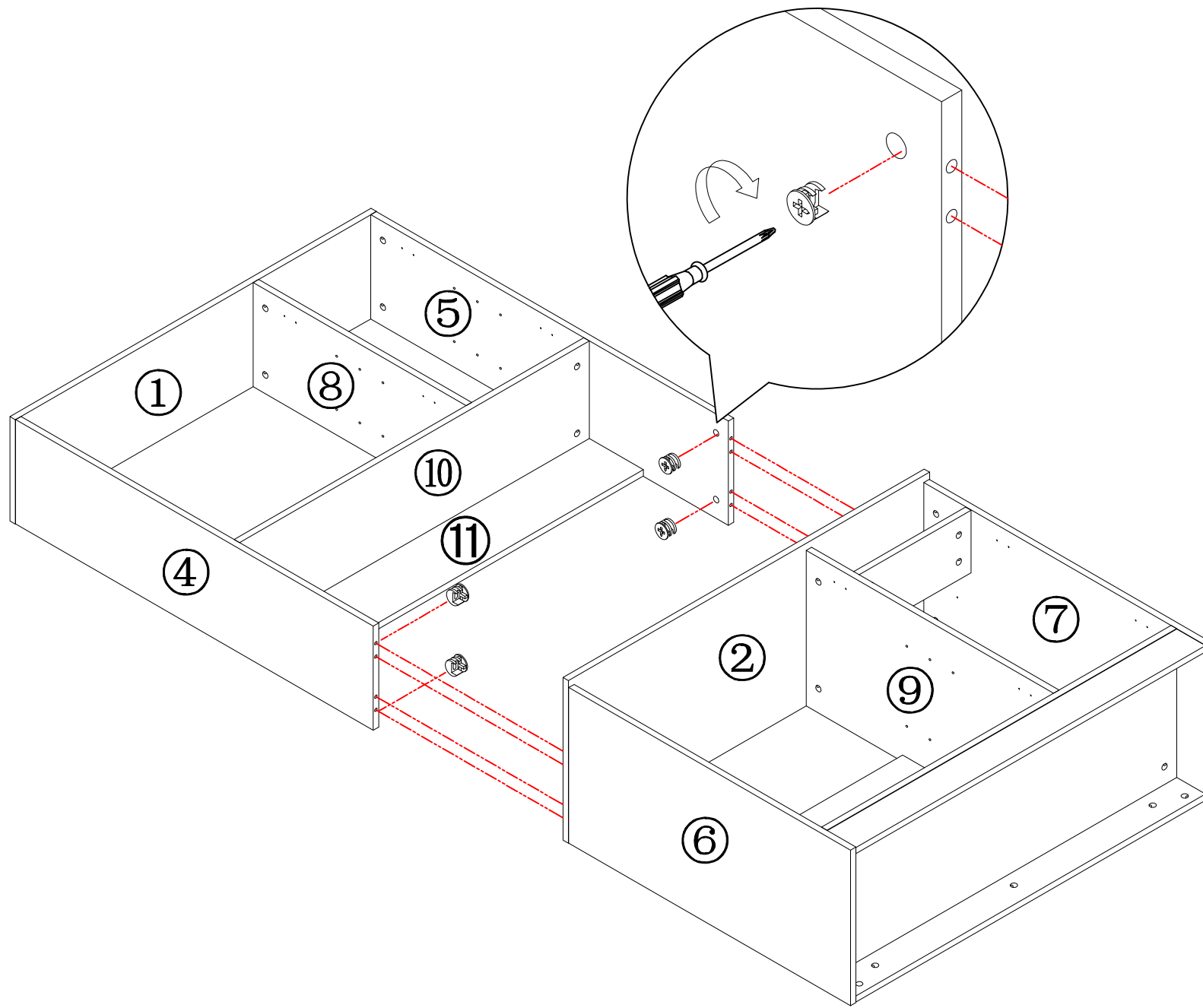
B\*11

Put B on board ⑩⑪



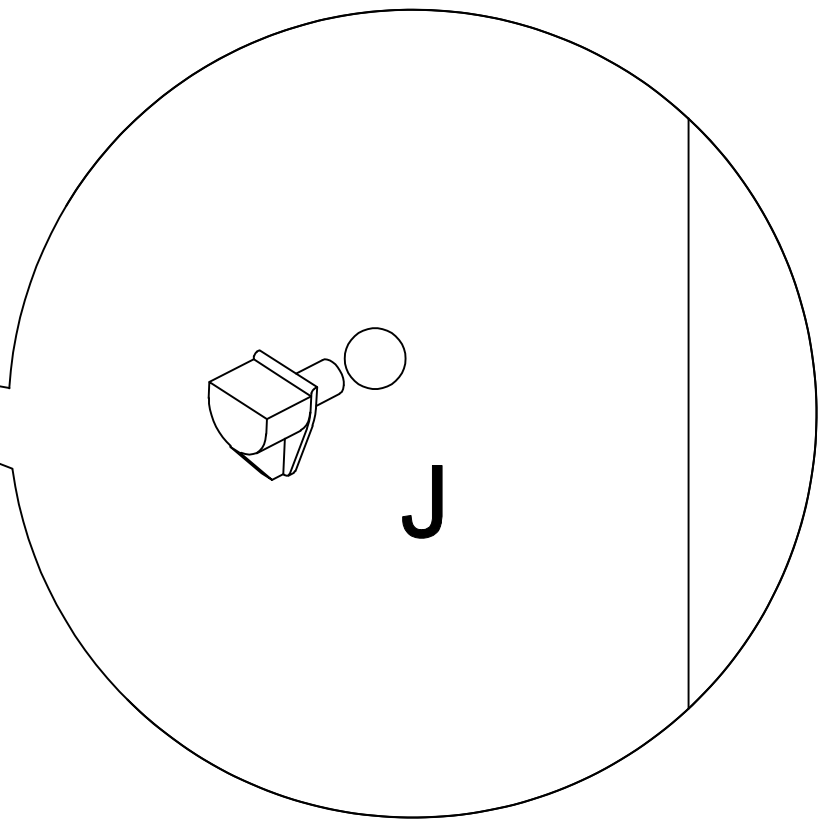
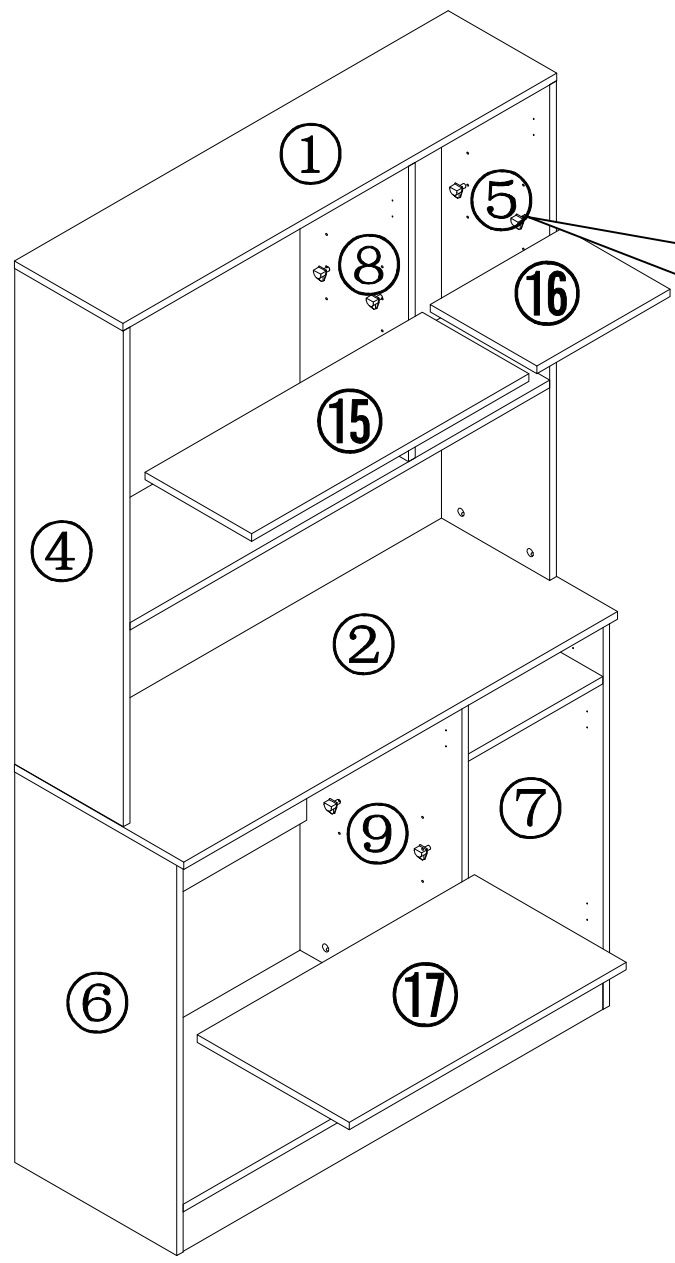
B\*6

Put B on board ④⑤⑧

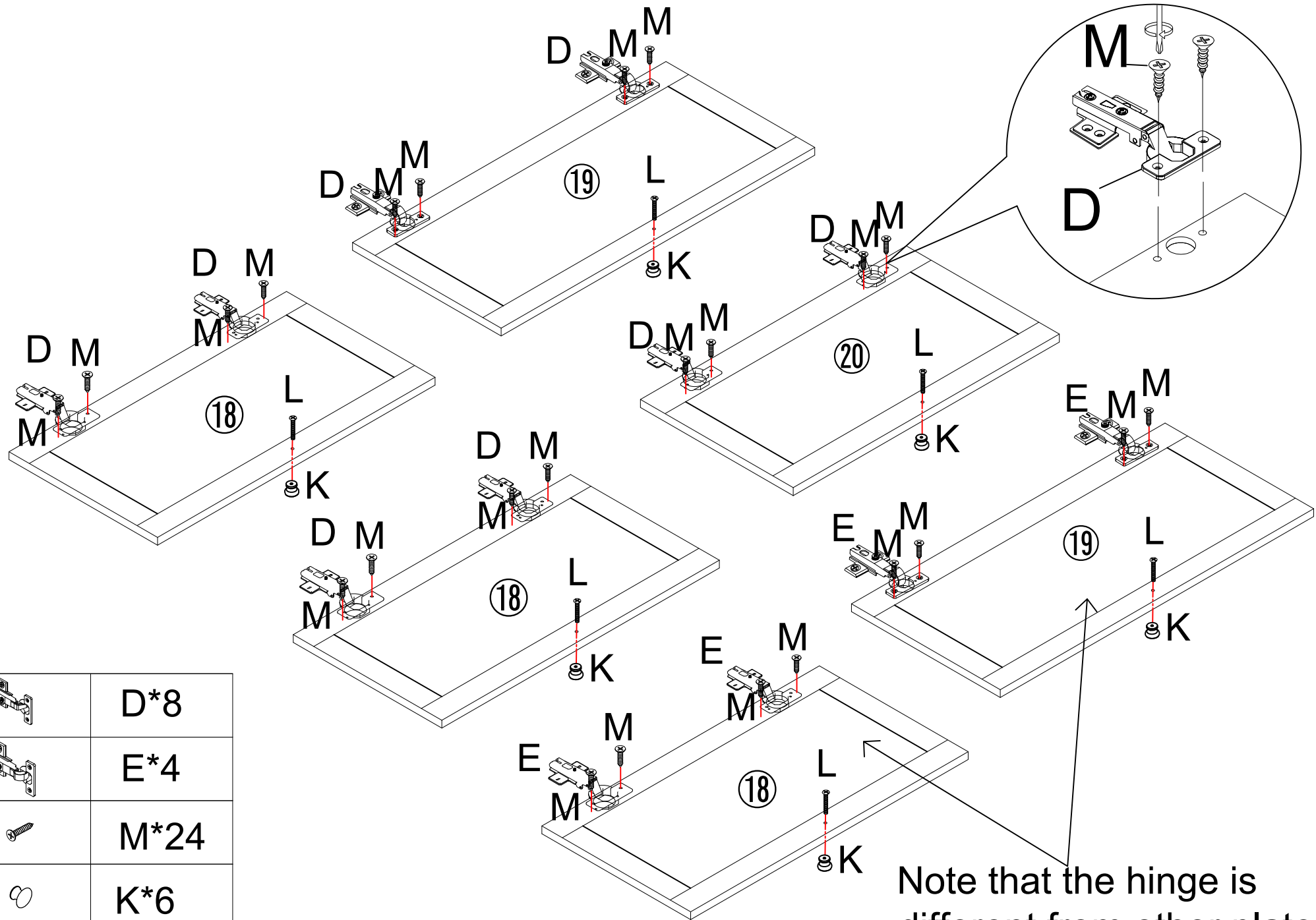


B\*4

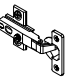
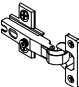



Put B on board ④⑤

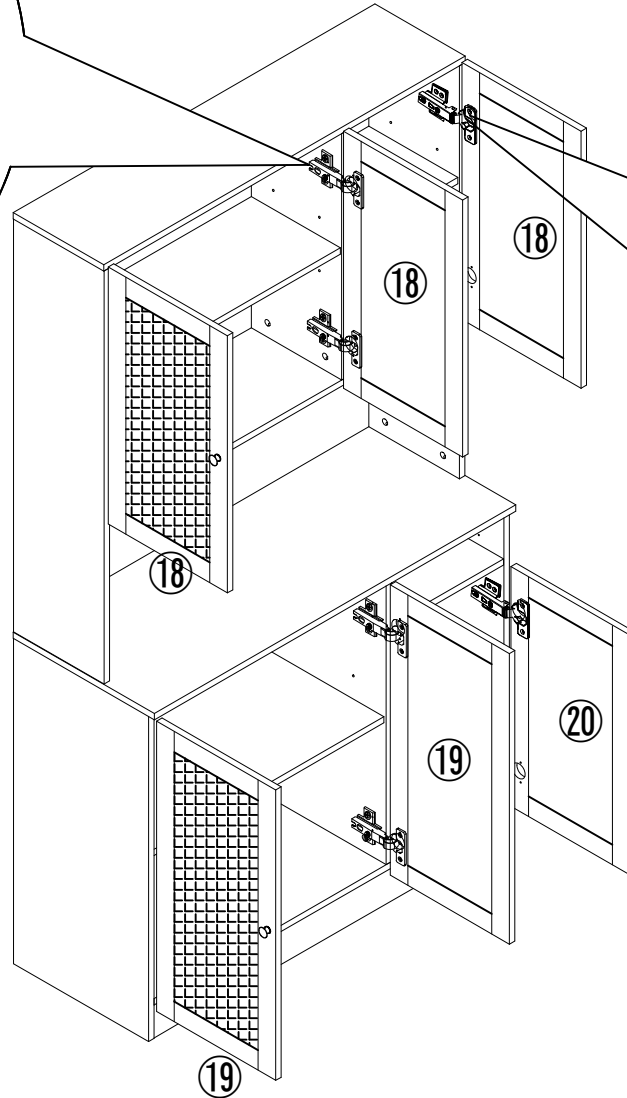
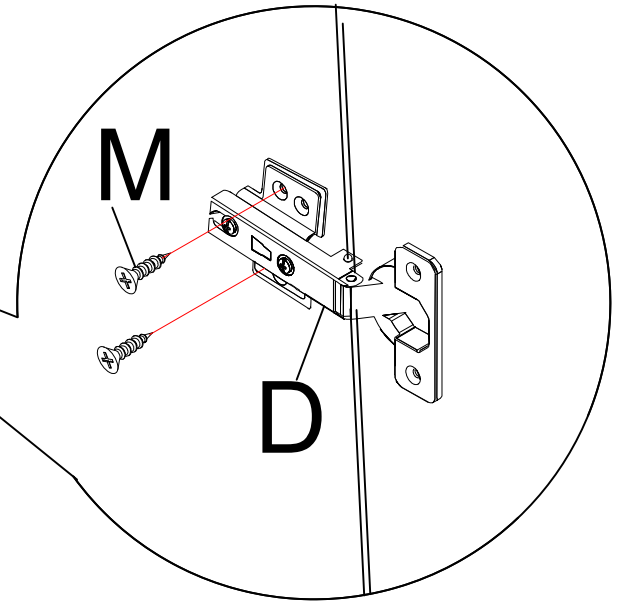
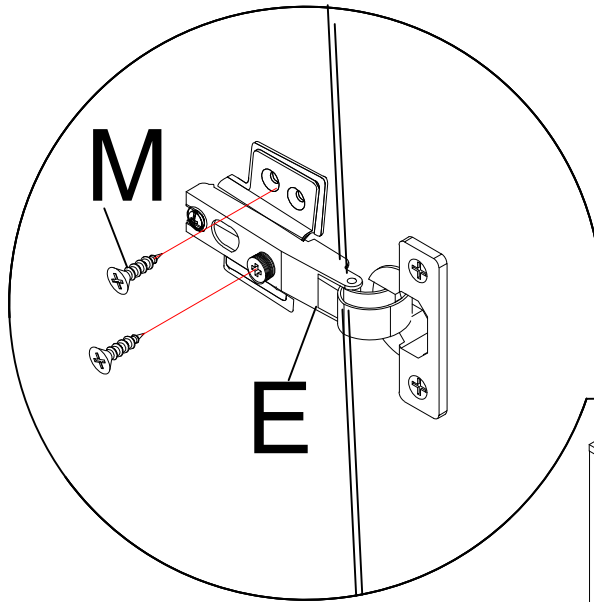


J\*12

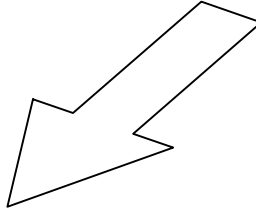
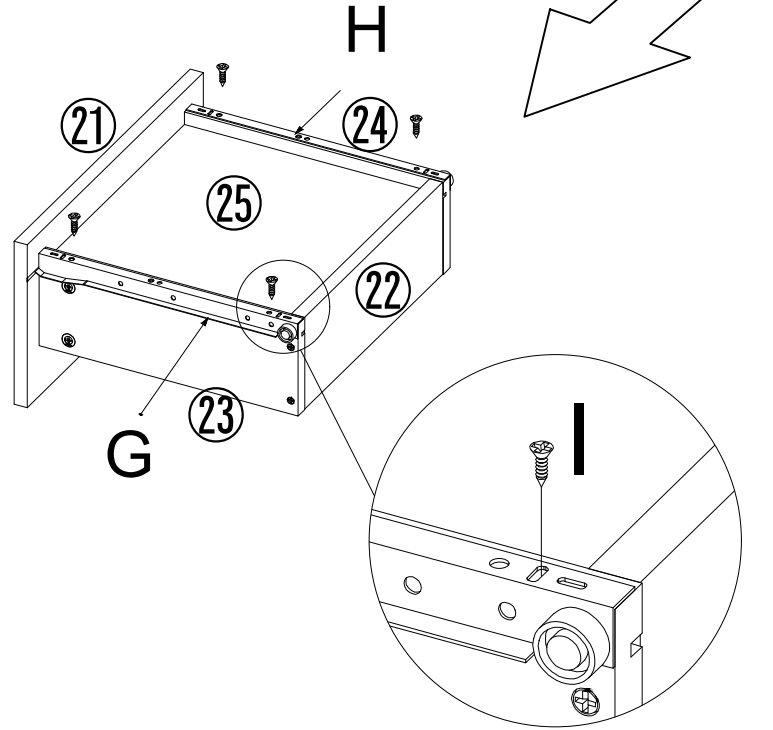
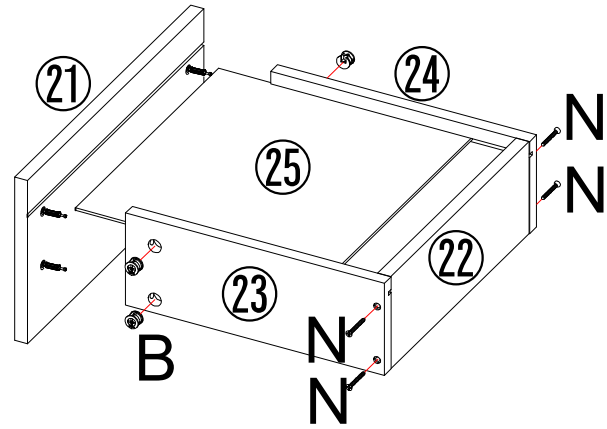
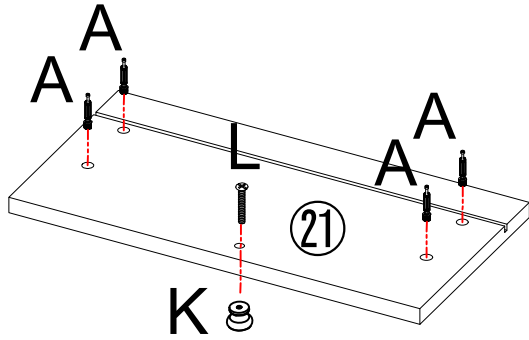





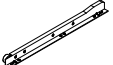




Note that the hinge is different from other plates

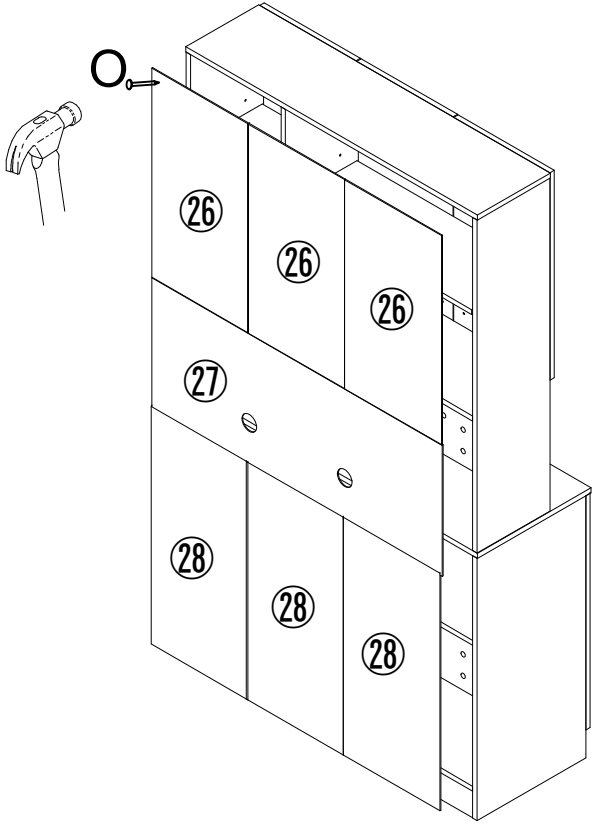
	D*8
	E*4
	M*24
	K*6
	L*6



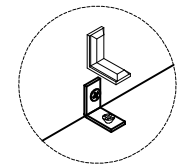
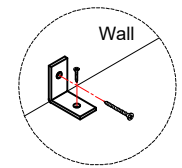
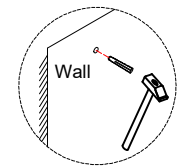
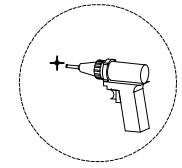
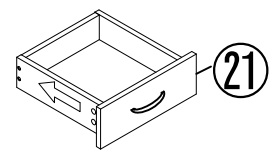
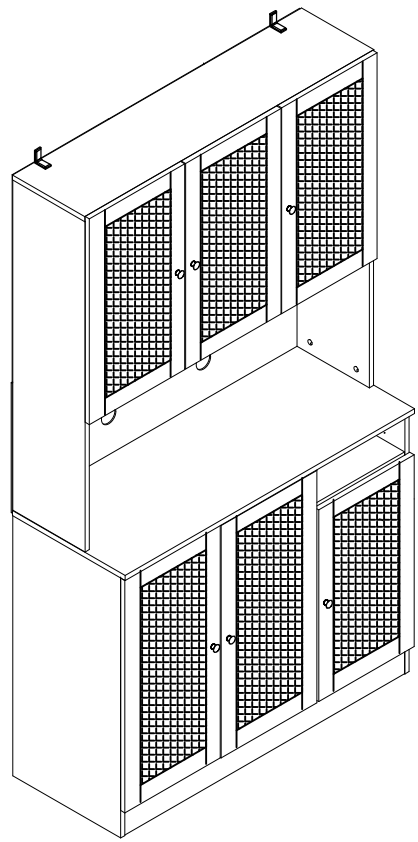
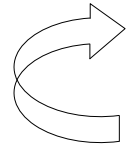
M\*48




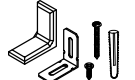
	A*4
	B*4
	H*1
	I*1
	K*1
	L*1
	M*4
	N*4



Rotate 90°



Please install tip-proof fitting.

	O*60
	P*2

