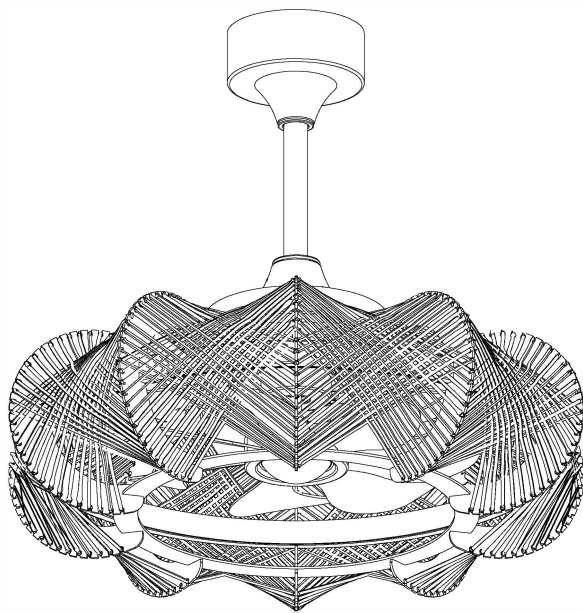


INSTALLATION MANUAL

Ceiling Fan With Lights



Safety Rules

1. Be sure the power to the wires you are working on is disconnected, either the fuse is removed or the circuit breaker is turned off. Turning the power off using the light switch is not sufficient to prevent electrical shock.
2. A qualified licensed electrician is required for the installation.
3. The outlet box and support structure must be securely mounted and capable of reliably /supporting a minimum of 70 pounds. Use only UL (cUL for Canadian Installation) listed mounting boxes marked "FOR FAN SUPPORT".
4. The fan must be mounted with a minimum of 7 feet clearance from the trailing edge of the blades to the floor.
5. Do not operate reversing switch while fan blades are in motion (if applicable). Fan must be turned off and blades stopped before reversing blade direction.
6. Do not place any objects in the path of the blades.
7. To avoid personal injury or damage to the fan and other items, be cautious when working around or cleaning the fan.
8. Do not use water or detergents when cleaning the fan or fan blades. A dry dust cloth or lightly dampened soft cloth will be suitable for the cleaning.
9. After marking electrical connections, spliced conductors should be turned upward and pushed carefully up into outlet box. The wires should be spread apart with the grounded conductor on one side of the outlet box.
10. Electrical diagrams are reference only, different fan light may have different light shade and bulbs.
11. Use only our replacement parts. This equipment has been tested and found to comply with the limits for a class B digital device, pursuant to part 15 of the FCC Rules. These limits are to provide reasonable protection against harmful interference in a residential installation. This equipment generates, uses and can radiate radio frequency energy and if not installed and used in accordance with the instructions may cause harmful interference to radio communications.

Warning:

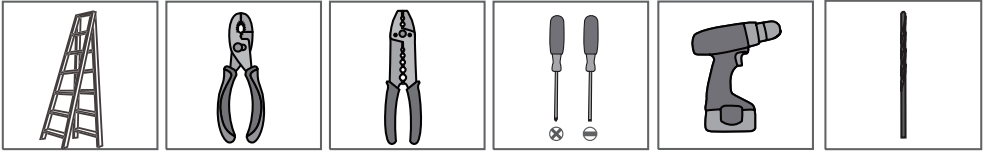
To reduce the risk of personal injury, use only the two steel screws and washers provided with the outlet box for mounting to the outlet box. Most outlet boxes commonly used for the support of lighting fixtures are not acceptable for fan support and need to be replaced, consult a qualified electrician if in doubt.

To reduce the risk of fire, electric shock or person injury, mount fan to outlet box marked "acceptable for fan support".

To reduce the risk of personal injury, do not bend the blade brackets (also referred to as flanges) during assembly or after installation. Do not insert objects in the path of the blades.

Installation Preparation

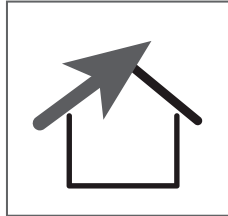
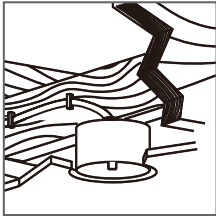
Tools You Need



- Ladder
- Pliers
- Wire Strippers
- Screwdrivers
- Power Drill (optional)
- Drill Bit (optional)

If mounting to a support structure, you will also need the optional tools.

What to Expect with Your Installation



- Must be able to secure the fan to building structure or fan-rated outlet box
- Check the box to see the weight of the fan
- Applicable for angled ceiling

Switch Selection

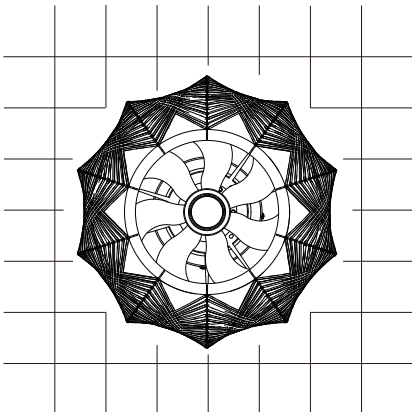
Note: Using a dimmer switch to control the fan may damage the fan. To reduce the risk of fire or electrical shock, do not use a dimmer switch to control the fan.

The recommended switches are as follows:

Recommended:	Single Pole Switch (Not Included)			
Not Recommended:	Dimmer Switch	Timer Switch	Fan Speed Control Switch	Motion Sensor Switch

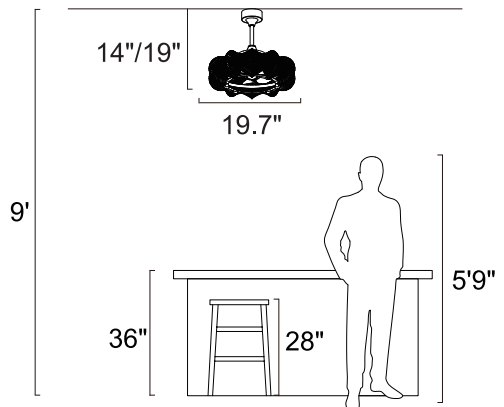
Installation Recommended

Room Size:



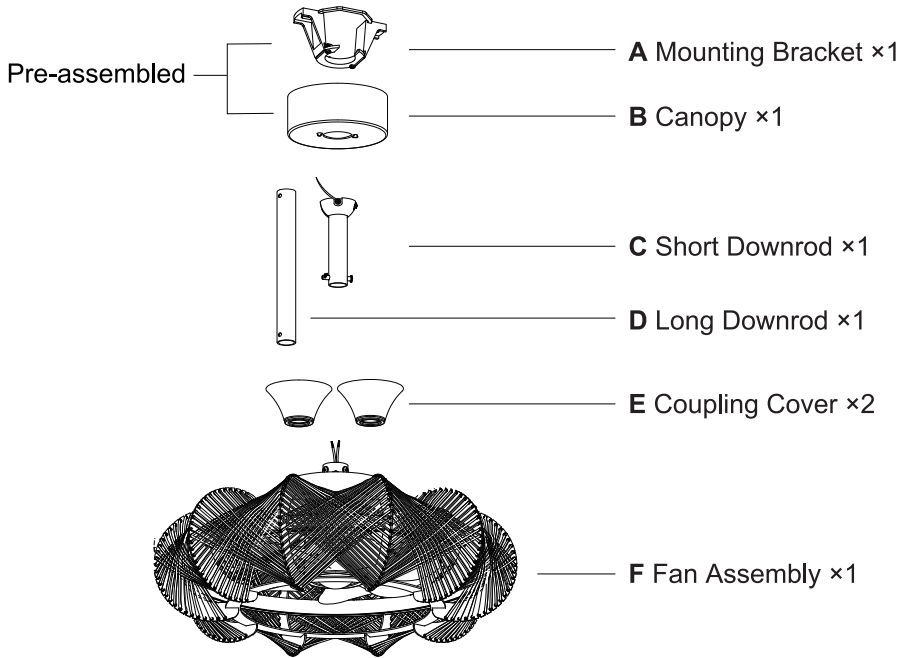
UP TO 8 ft x 10 ft

Room Height:


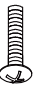








Recommended ceiling height: 8 to 12 ft.

Packing List



Installation Kits

AA	3x	BB	2x	CC	2x	DD	2x
							
Wire Nut		Outlet Box Screw		Wood Screw		Washer	
EE	2x	FF	1x	GG	2x	HH	1x
							
Anchor Bolt		Remote Control & Holder		Remotel Holder Anchor & Screw		Gloves	

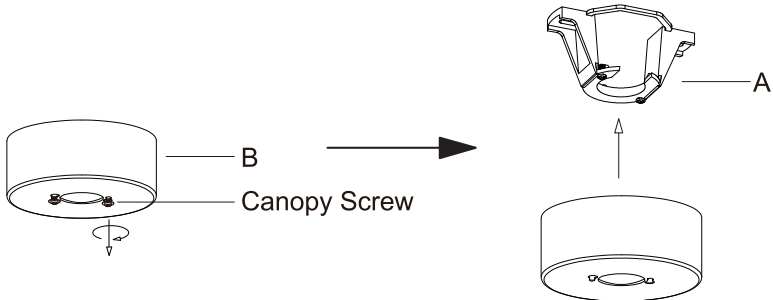
Note:

- 1.The listed quantity is for installation, extra hardware may be included.
2. The mounting bracket (A) is pre-installed on the canopy (B).

Installation Instructions

1. Remove the Mounting Bracket

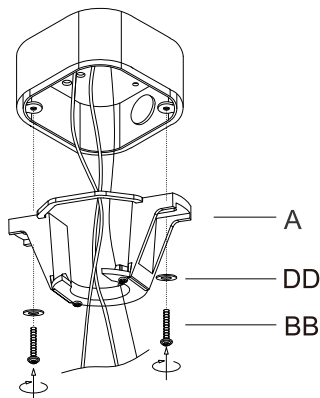
Loosen the canopy screws on the mounting bracket (A), but do not remove them, and then rotate the canopy (B) to remove the mounting bracket (A).



2. Mount the Bracket (3 Options)

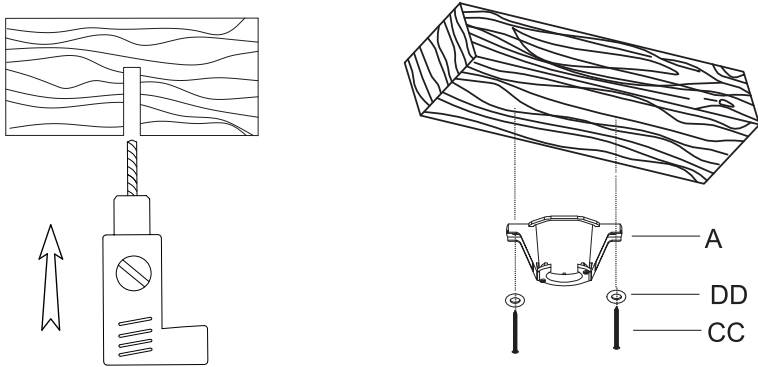
Option1. (For Outlet Box)

Secure the mounting bracket (A) to the outlet box with screws taken off from outlet box or screws (BB) and washers (DD) provided.



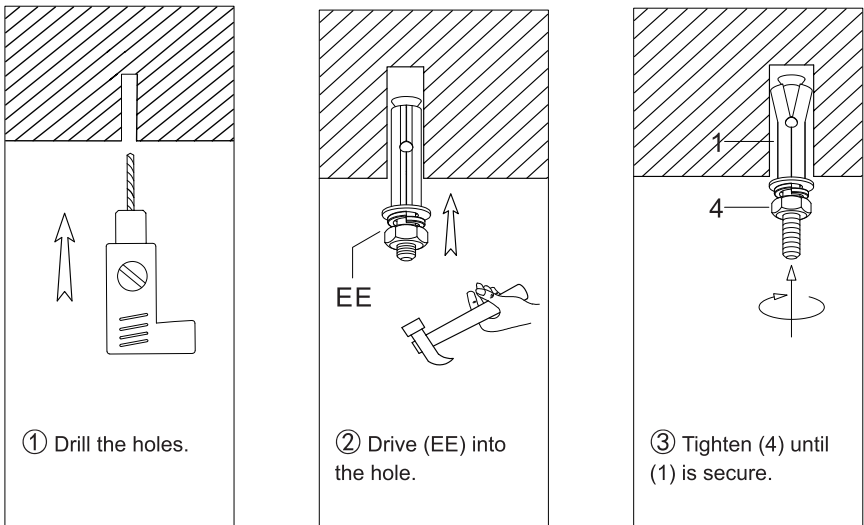
Option 2. (For Solid Wood Structure)

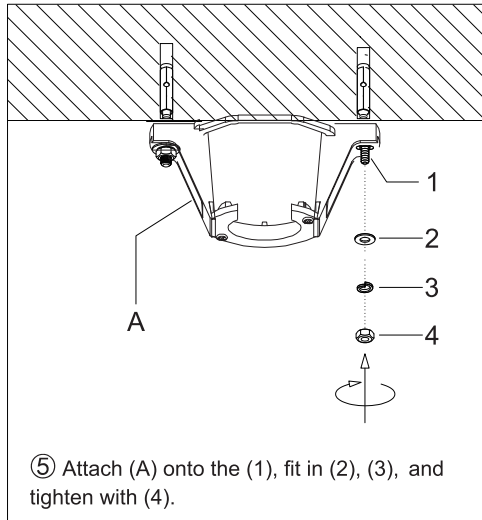
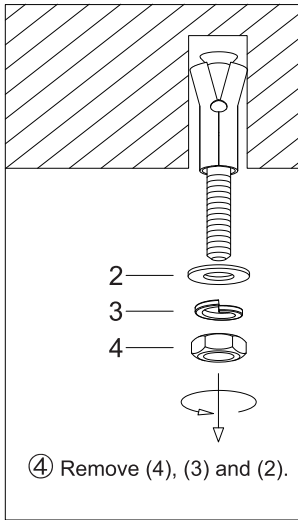
Mark and drill the screw holes on the solid wood structure. Mount the mounting bracket with wood screws (CC) and washers (DD).



Option 3. (For Concrete Structure)

Mount the mounting bracket (A) to the concrete structure with anchor bolt (EE).



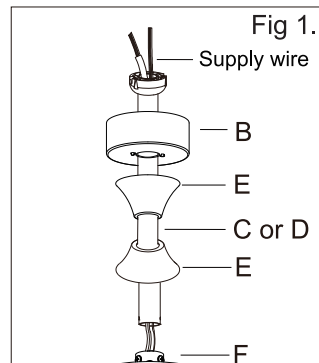
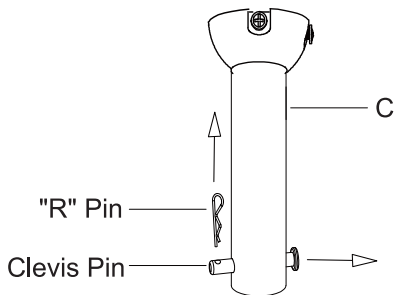


3. Assemble the Fan

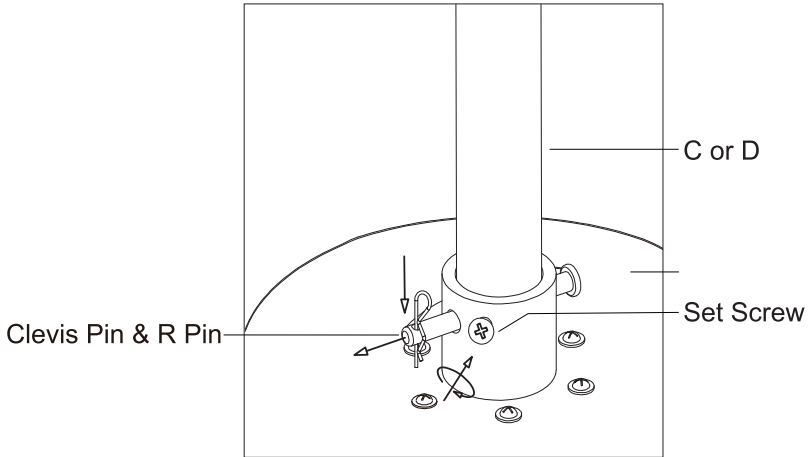
Step 1. Remove the "R" pin and clevis pin from the short downrod (C).

Step 2. Pass the downrod (C or D) through the canopy (B) and the 2 coupling covers (E) as Fig 1.

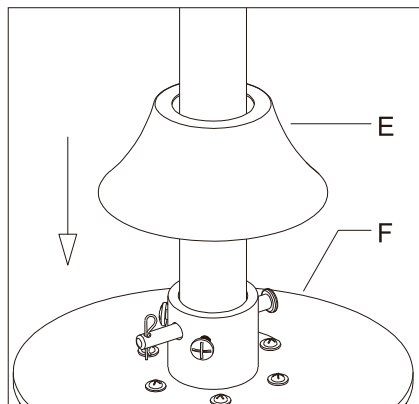
Step 3. Thread the supply wire of fan assembly (F) through downrod (C or D).



Step 4. Align the hole at the bottom of the downrod with the hole in the fan assembly (F). Insert the clevis pin and "R" pin.
Step 5. Tighten the set screws to secure the downrod.

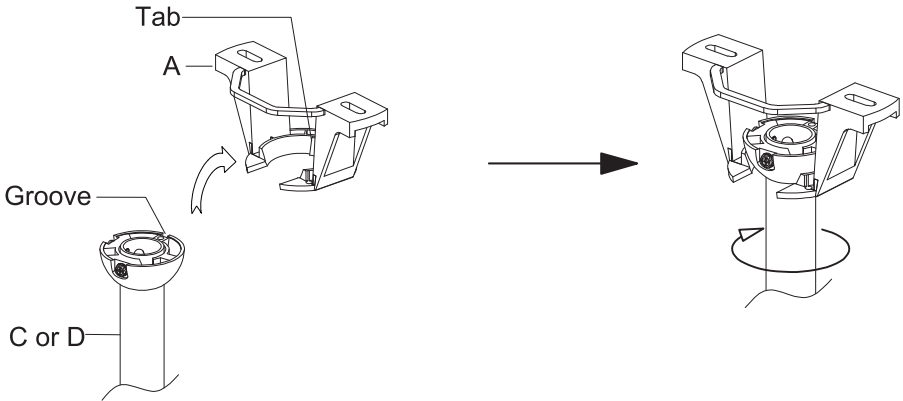


Step 6. Fit the coupling cover (E) onto the fan assembly (F).



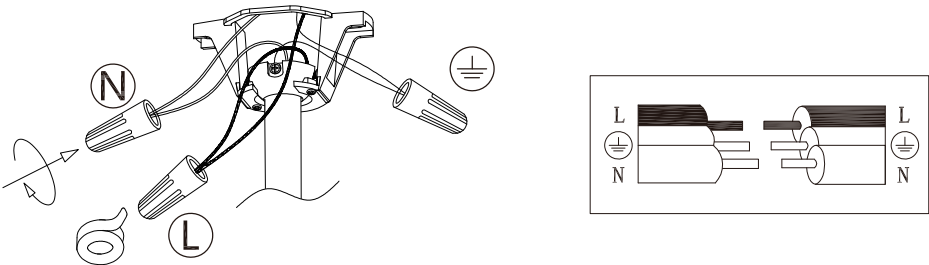
4. Hang the Fan

Lift the downrod (C or D) into the bracket. Rotate the downrod until the tab in the bracket is seated in the groove in the downrod ball.



5. Connect the Wires

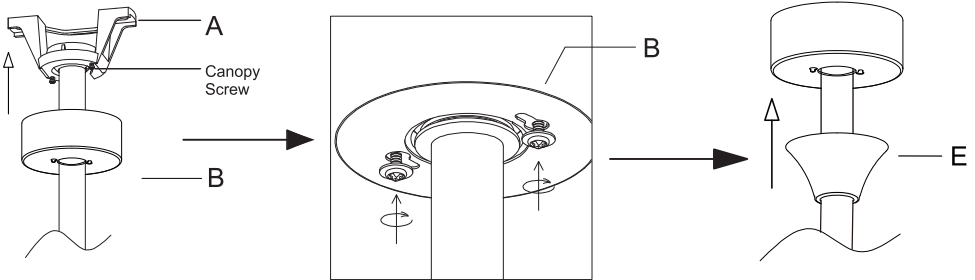
Connect the wires from the fan to the house supply wires with wire nuts (AA), ground wire (green, green / yellow, or bare copper) to ground wire, neutral wire (white) to neutral wire, and hot wire (black) to hot wire. Wrap the connection with electrical tape.



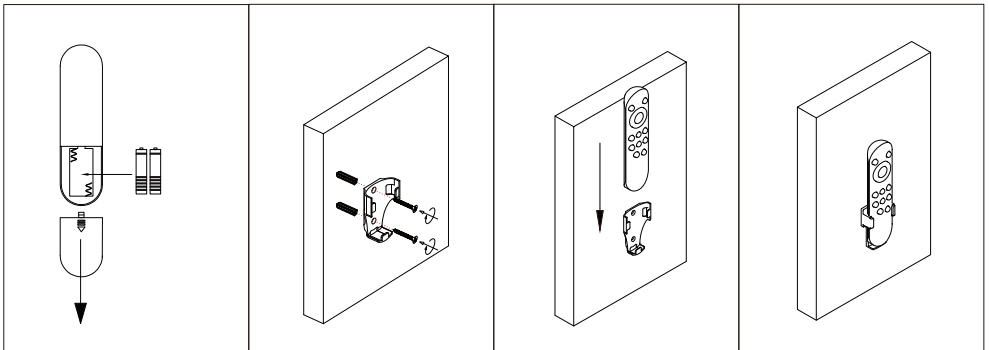
6. Attach the Canopy

Step 1. Raise the canopy (B) to the ceiling, twist it to lock onto the screws, and then tighten the screws to secure the canopy.

Step 2. Push up the canopy cover (E).



7. Install the Remote Holder



Step 1. Insert 2 batteries before using: AAA 1.5V battery x 2pcs (not included).

Step 2. Mark and drill screw holes in the wall, then insert the remote holder anchors.

Step 3. Use remote holder screws to fix the remote holder onto the wall.

Remote Control Instructions

		Turn off fan and light.
		Fan moves forwards or reversely.
		Turn on the fan on Speed 1/2/3/4/5/6.
		Turn off the fan.
		Adjust the light color temperature.
		Quick switch of the light color: Yellow Light→White Light→Natural Light.
		Turn on/off the light.
		Adjust the brightness of the light.
		1H/2H for timing the fan.

REMOTE SIGNAL PAIRING:

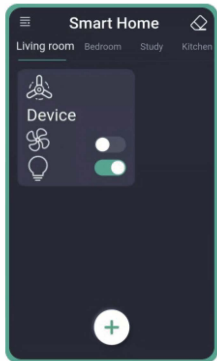
If the remote control loses the signal of the fan, turn off the power from wall switch, then turn it on, press immediately for around 3 seconds, after the fixture beeps or flashes, then it's down.

Note:

Insert 2 batteries before using : AAA 1.5V battery x 2pcs (not included).

APP Control Instructions

Install the app from Google Play, Apple App Store, or other app stores by searching for the app name. Ensure that your phone is connected to the internet and Bluetooth enabled.



	Pairing: Click the Pair button within 5 seconds after turning on the fan from the wall switch. Once the fan flashes or beeps, it has been successfully paired with your phone and can now be controlled through the app.
	Turn on/off the light.
	Quick switch for "White" light color.
	Quick switch for "Yellow" light color.
	Quick switch for "Natural" light color.
	Night mode: Dim the lights.
	Slide the slider to change the brightness of the light.
	Slide the slider to change the fan speed.
	Fan moves forward.
	Fan moves reversely.
	Change the direction of the wind. (Not supported)
	Timing the fan.
	Natural wind: The fan speed will change automatically when you use this function
	Sleeping wind. (Not supported)
	Turn on/off the fan.
	Unpairing: Click the unpair button within 5 seconds after turning on the fan. Once the fan flashes or beeps, it has been successfully unpaired from your phone.

Trouble Shooting

1. Fan doesn't work

- Check the remote control battery (not included in this package).
- Check the circuit breaker to ensure the power is on.
- Check the connection of the power cord.

2. Lights Do Not Light Up / Flicker / Noisy Operation

- Check the circuit breaker to ensure the power is on.
- Check the connection of the power cord.
- Check the connection of the LED light source.

3. Noisy Operation

- Re-tighten all screws on the bracket, and fan blades (do not over tighten).
- Check to see if the blade is cracked. If so, contact us to replace it.

4. Remote does not work

- Make sure the battery is installed correctly.
- Pair the remote control again. (See "Remote Control Instructions").
- Install 2 new batteries.

Clean And Care

To clean, wipe the fixture with a soft cloth. Spraying from chemical cleaners can discolor the finish of the fixture. Do not use scouring pads, powders, steel wool, or abrasive paper to clean this fixture.

Ordering Parts

Keep this manual for future reference, and in case replacement parts are needed. Available parts can be ordered from the place of purchase. Use exact wording from diagrams when ordering parts.