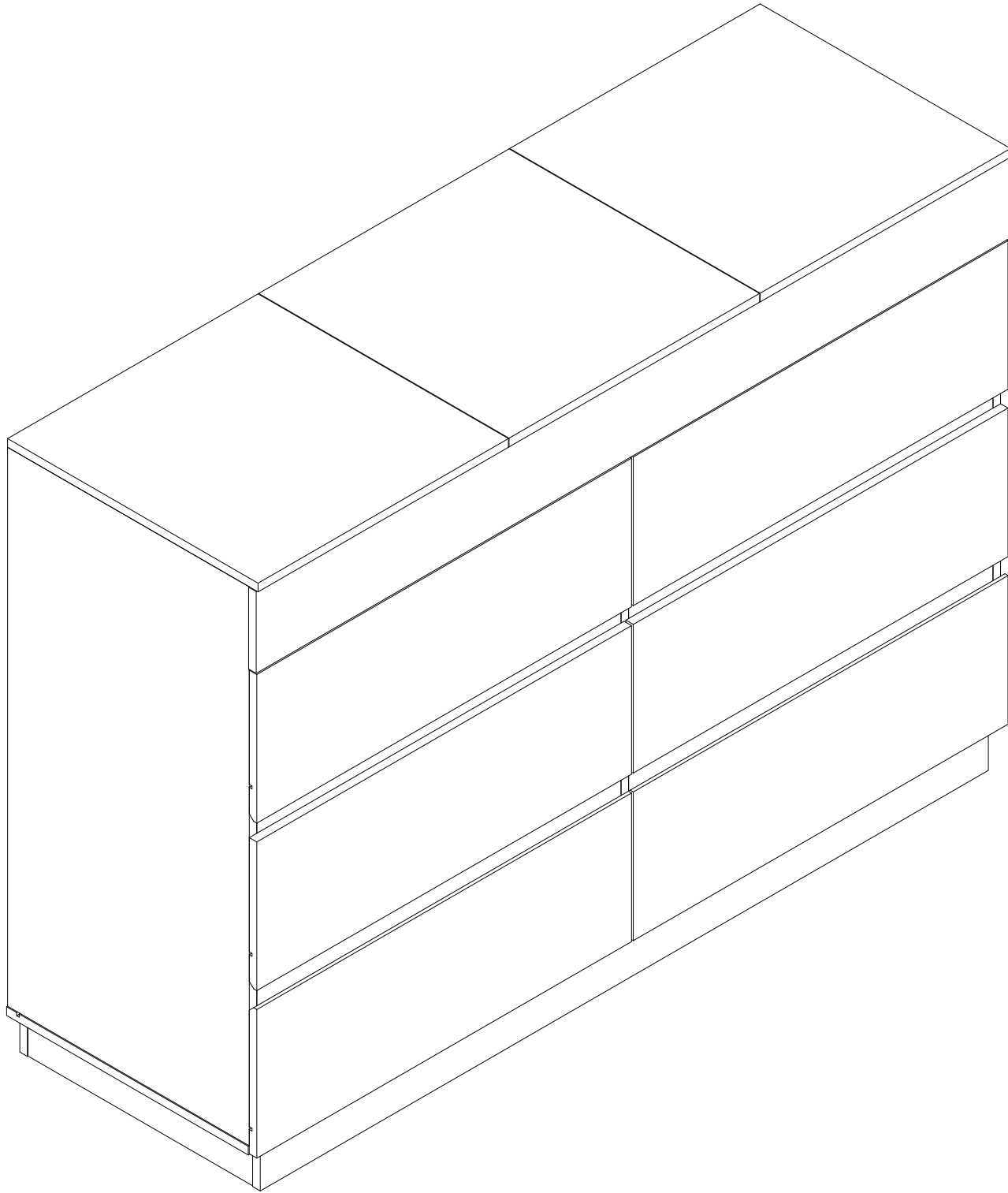


Assembly Instruction



⚠ WARNING

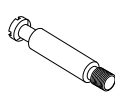
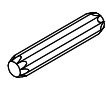

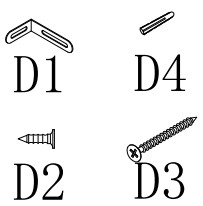
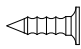
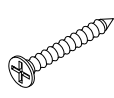
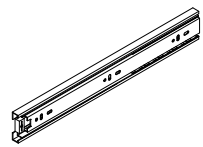
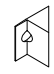
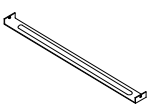
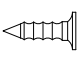
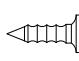
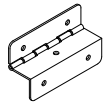
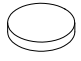
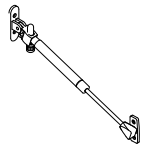


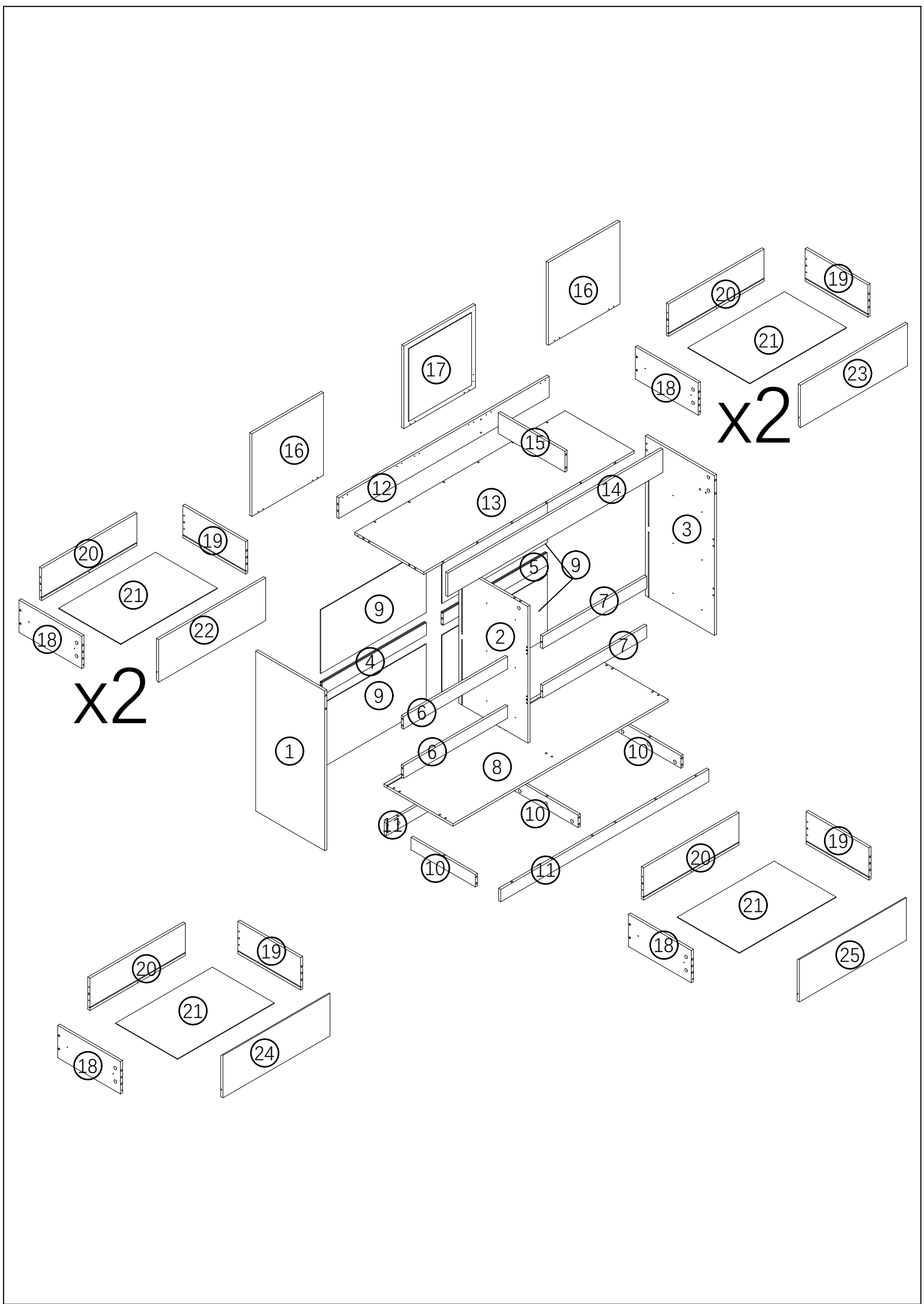
Children have died from furniture tipover. To reduce the risk of furniture tipover:

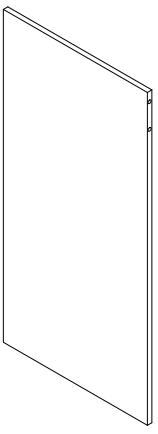
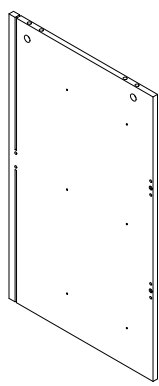
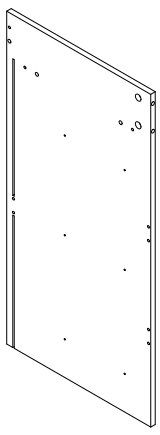
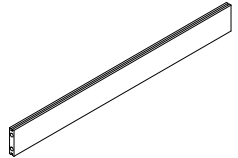
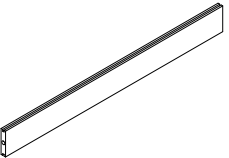
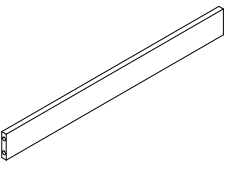
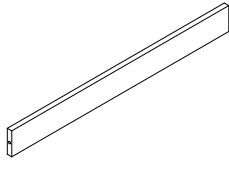
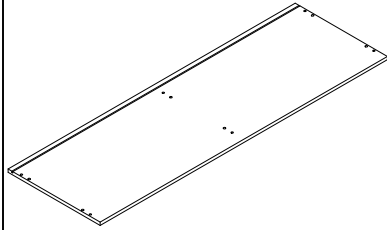
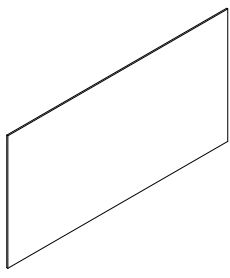
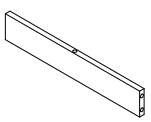
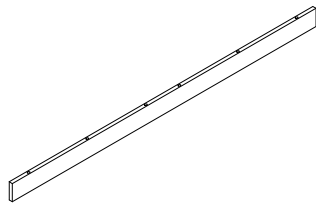
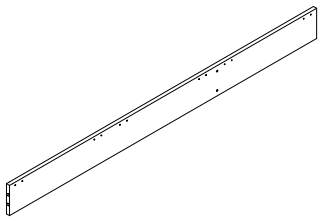
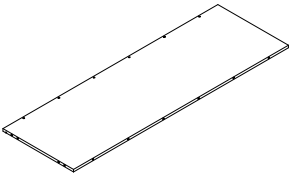
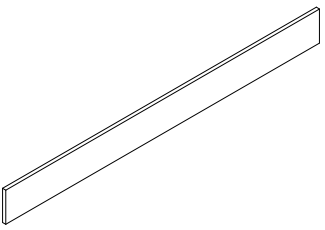
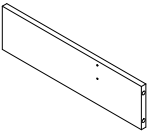
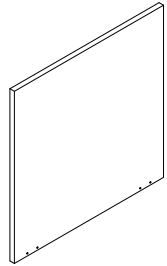
- ALWAYS install Anti-tip device provided.
- NEVER put a TV on this product.
- NEVER allow children to stand, climb or hang on drawers, doors, or shelves.
- NEVER open more than one drawer at a time.
- Place heaviest items in the lowest drawers.

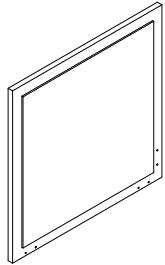
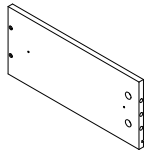
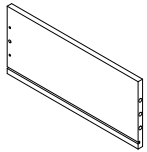
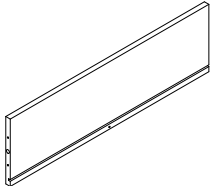
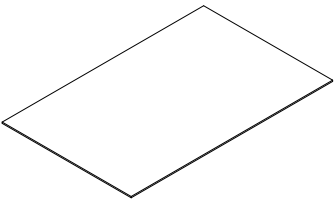
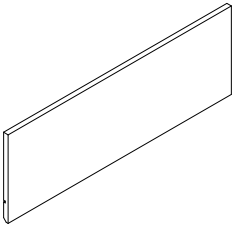
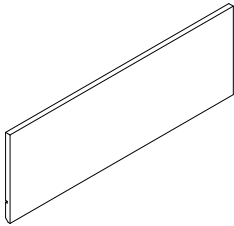
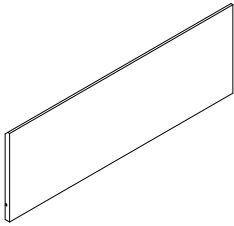
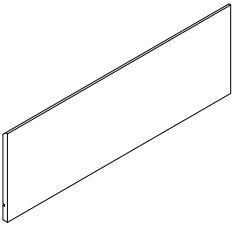


*This is a permanent label.
Do not remove!*

<p>A</p>  <p>80PCS</p>	<p>B 6*30</p>  <p>52PCS</p>	<p>C 15*10</p>  <p>80PCS</p>	<p>D</p>  <p>D1 D4 D2 D3 2PCS</p>	<p>E 3.5*12</p>  <p>48PCS</p>
<p>F 3.5*30</p>  <p>36PCS</p>	<p>G 350MM</p>  <p>12PCS</p>	<p>H</p>  <p>16PCS</p>	<p>I</p>  <p>6PCS</p>	<p>J 3*12</p>  <p>28PCS</p>
<p>K 3.5*12</p>  <p>34PCS</p>	<p>L</p>  <p>6PCS</p>	<p>M</p>  <p>6PCS</p>	<p>N</p>  <p>1PCS</p>	

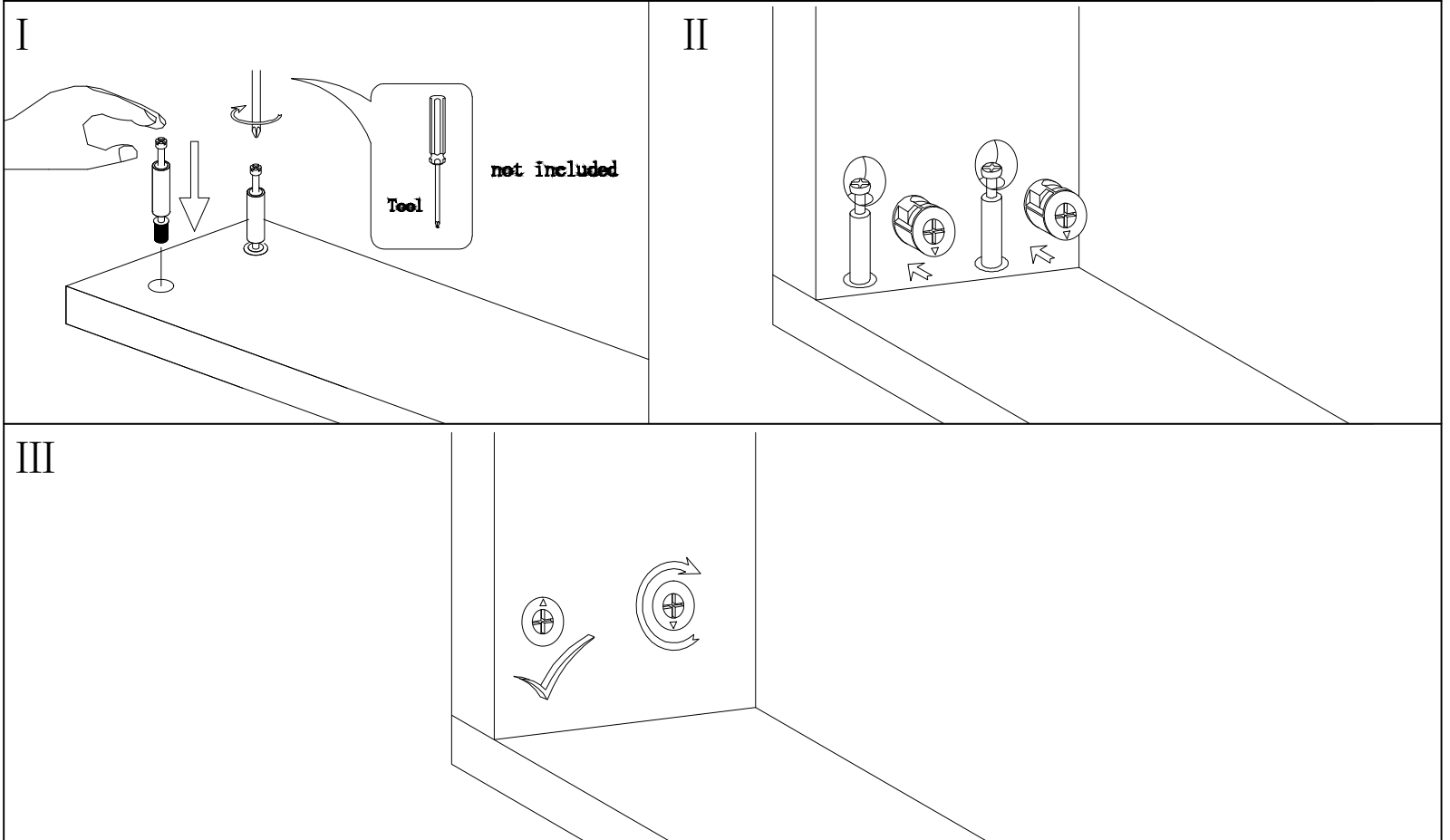


<p>1</p> <p>771*385*12</p>  <p>x1</p>	<p>2</p> <p>659*385*12</p>  <p>x1</p>	<p>3</p> <p>771*385*12</p>  <p>x1</p>	<p>4</p> <p>580.5*60*12</p>  <p>x1</p>
<p>5</p> <p>580.5*60*12</p>  <p>x1</p>	<p>6</p> <p>580.5*60*12</p>  <p>x2</p>	<p>7</p> <p>580.5*60*12</p>  <p>x2</p>	<p>8</p> <p>1200*385*12</p>  <p>x1</p>
<p>9</p> <p>588*307*3</p>  <p>x4</p>	<p>10</p> <p>359*60*12</p>  <p>x3</p>	<p>11</p> <p>1160*60*12</p>  <p>x2</p>	<p>12</p> <p>1173*100*12</p>  <p>x1</p>
<p>13</p> <p>1173*385*12</p>  <p>x1</p>	<p>14</p> <p>1199*113*12</p>  <p>x1</p>	<p>15</p> <p>372*100*12</p>  <p>x1</p>	<p>16</p> <p>399*399*12</p>  <p>x2</p>

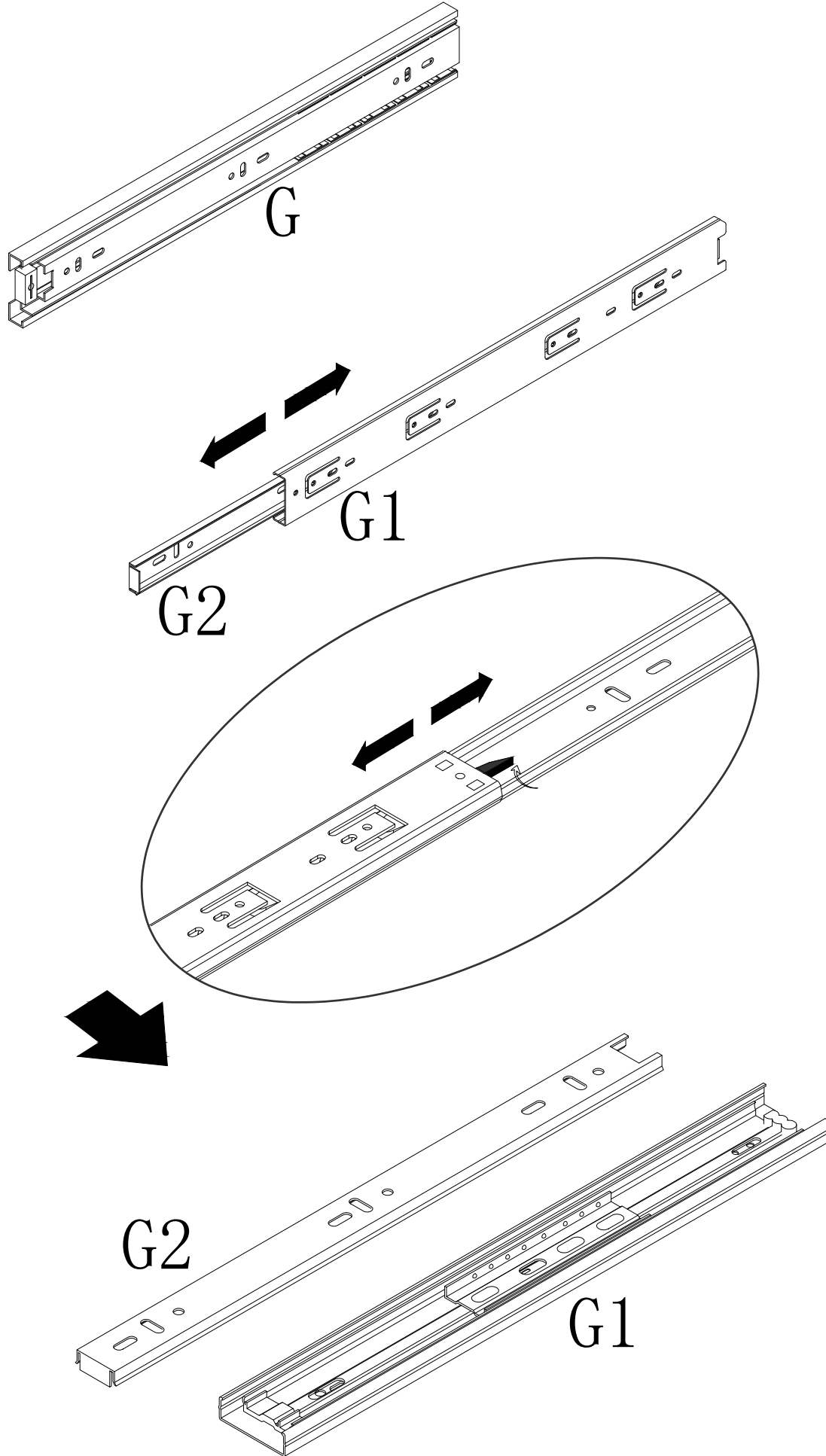
<p>17 399*399*12</p>  <p>x1</p>	<p>18 350*156*12</p>  <p>x6</p>	<p>19 350*156*12</p>  <p>x6</p>	<p>20 531.5*156*12</p>  <p>x6</p>
<p>21 539*345*3</p>  <p>x6</p>	<p>22 597*205*12</p>  <p>x2</p>	<p>23 597*205*12</p>  <p>x2</p>	<p>24 597*205*12</p>  <p>x1</p>
<p>25 597*205*12</p>  <p>x1</p>			



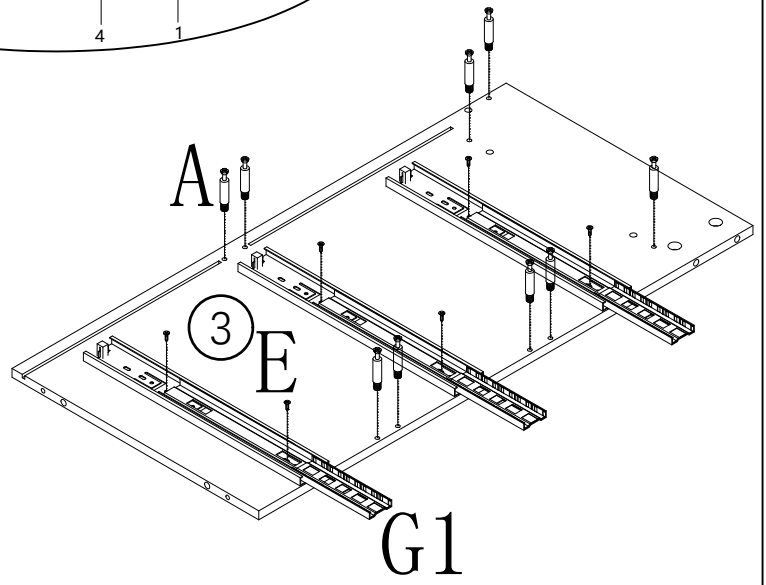
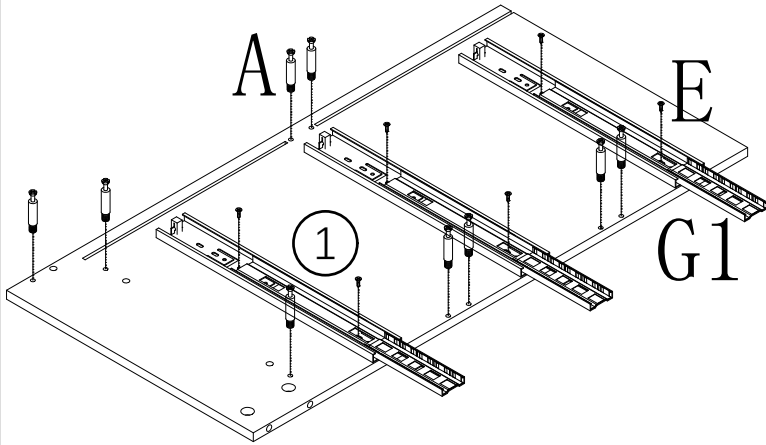
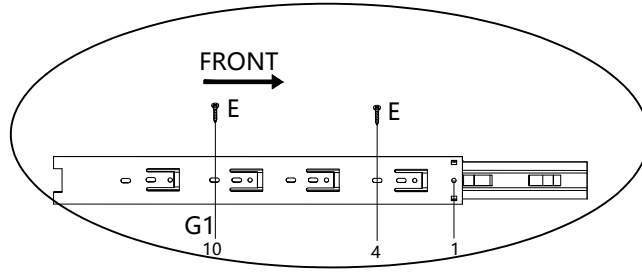
Hardware installation demonstration
NOTE: Please make sure "A" hardware
tightened and can't be pulled out!



1

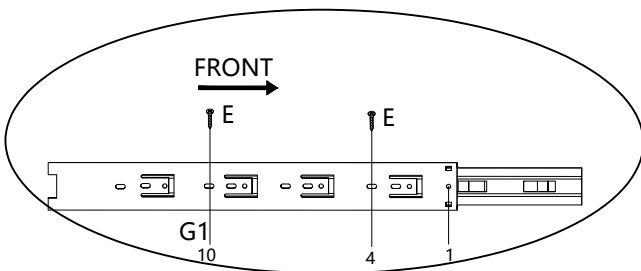
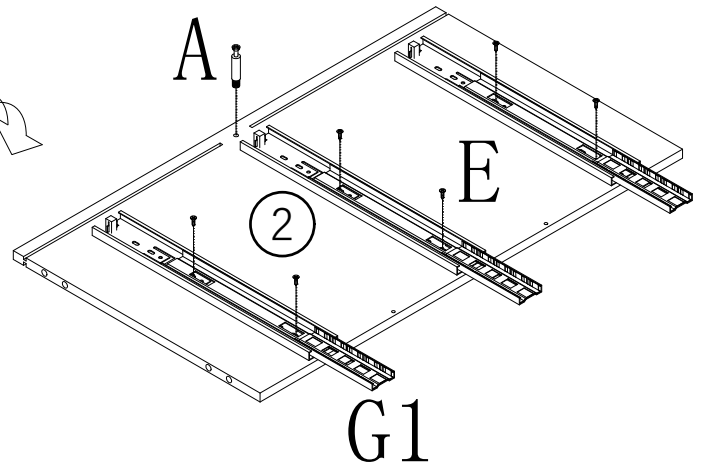
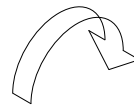
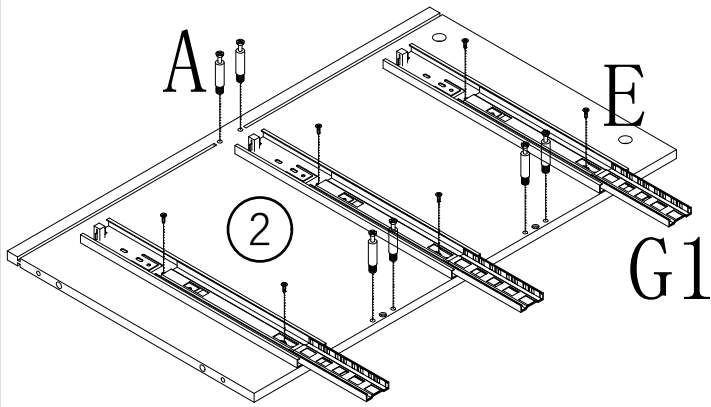
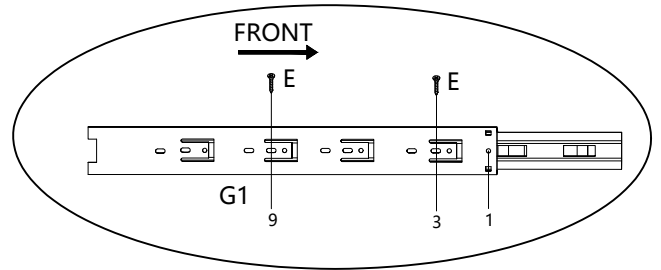


2



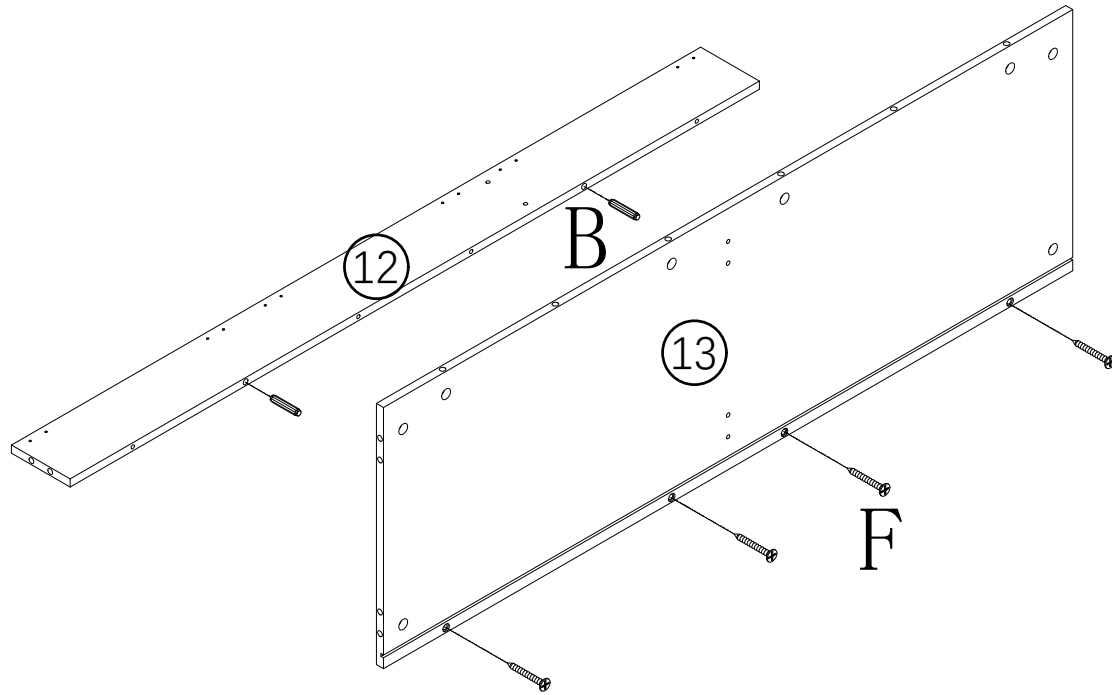
A*18 E*12 G1*6

3



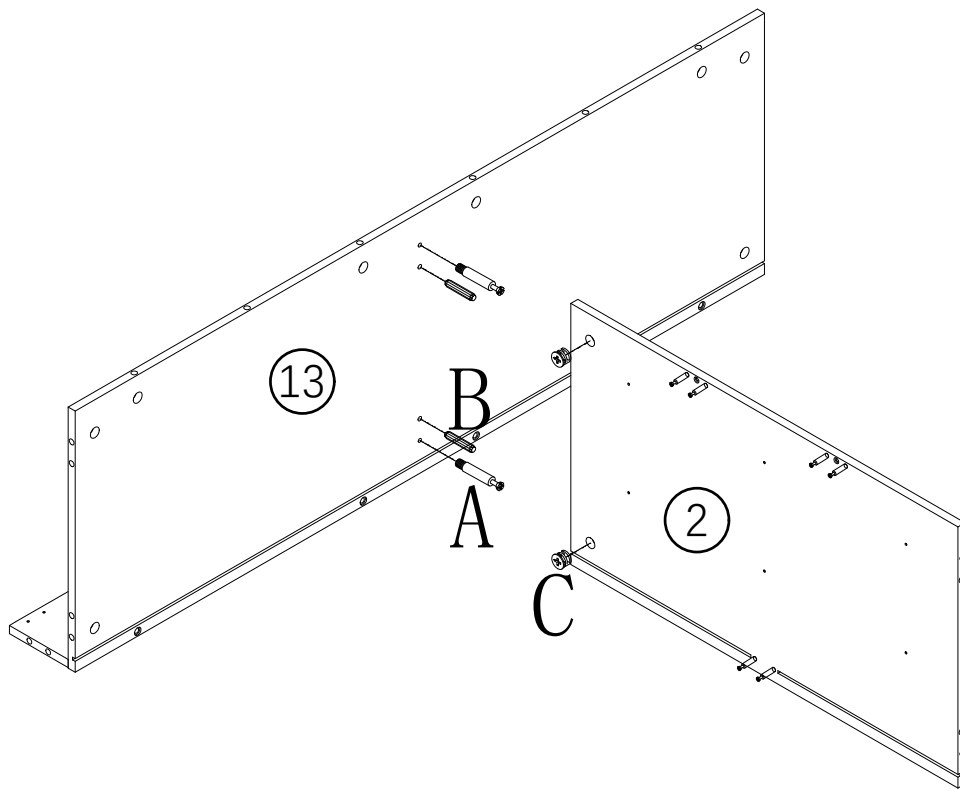
A*7 E*12 G1*6

4



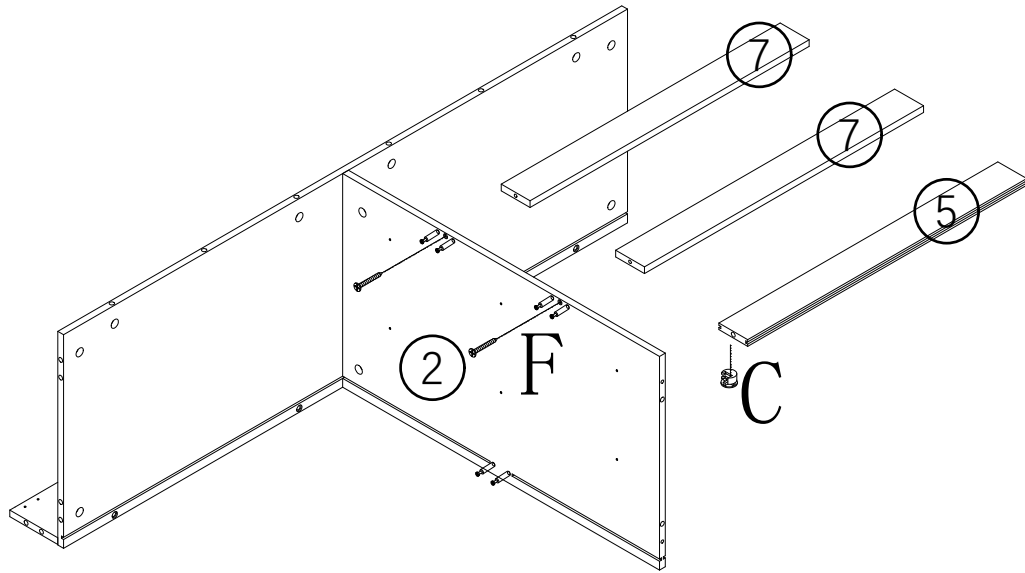
B*2 F*4

5



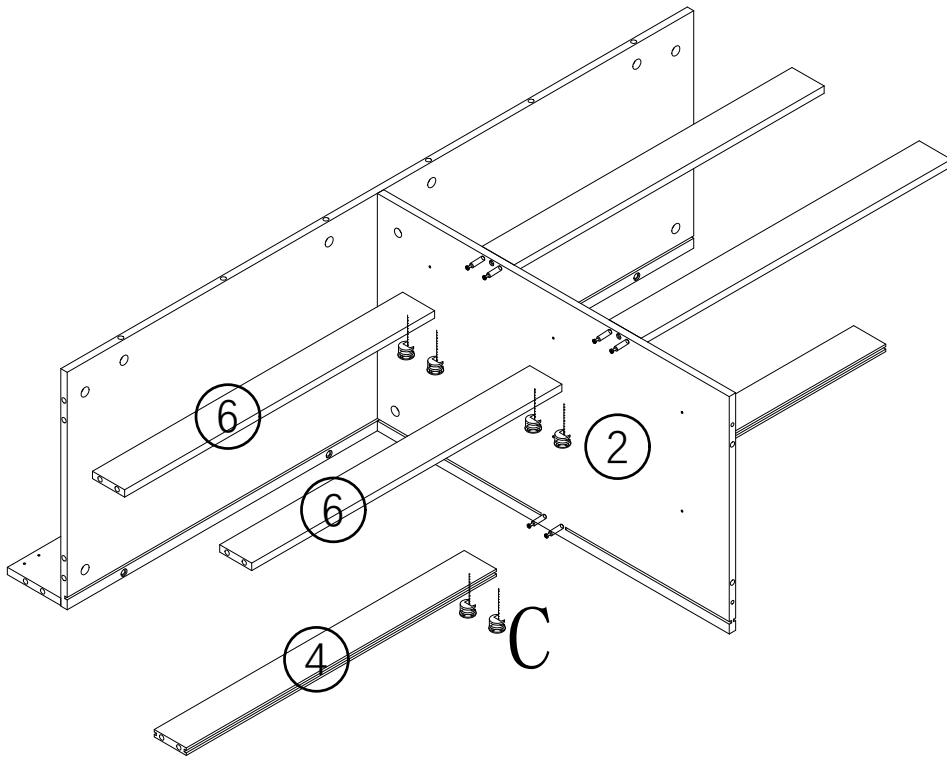
A*2 B*2 C*2

6



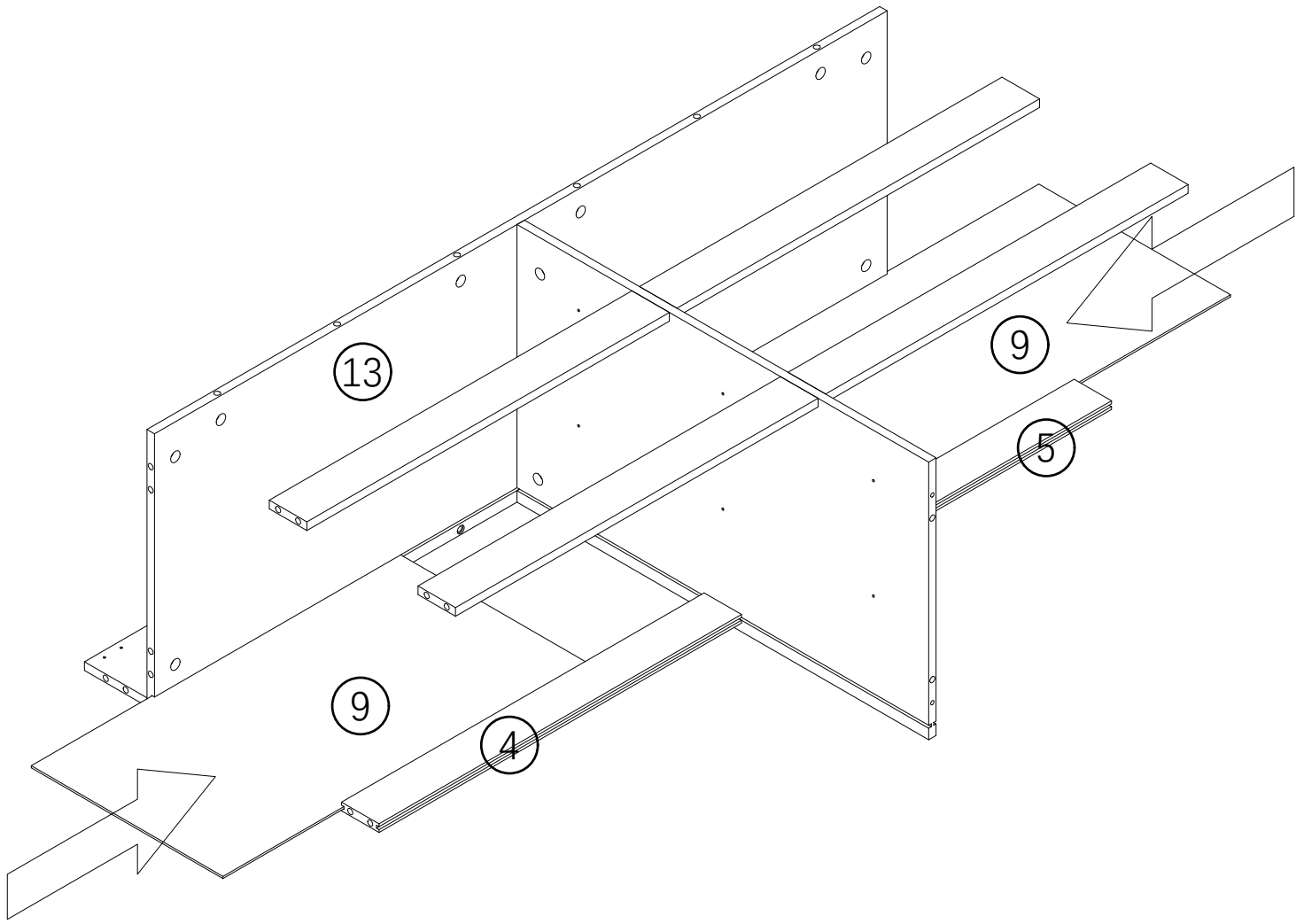
C*1 F*2

7

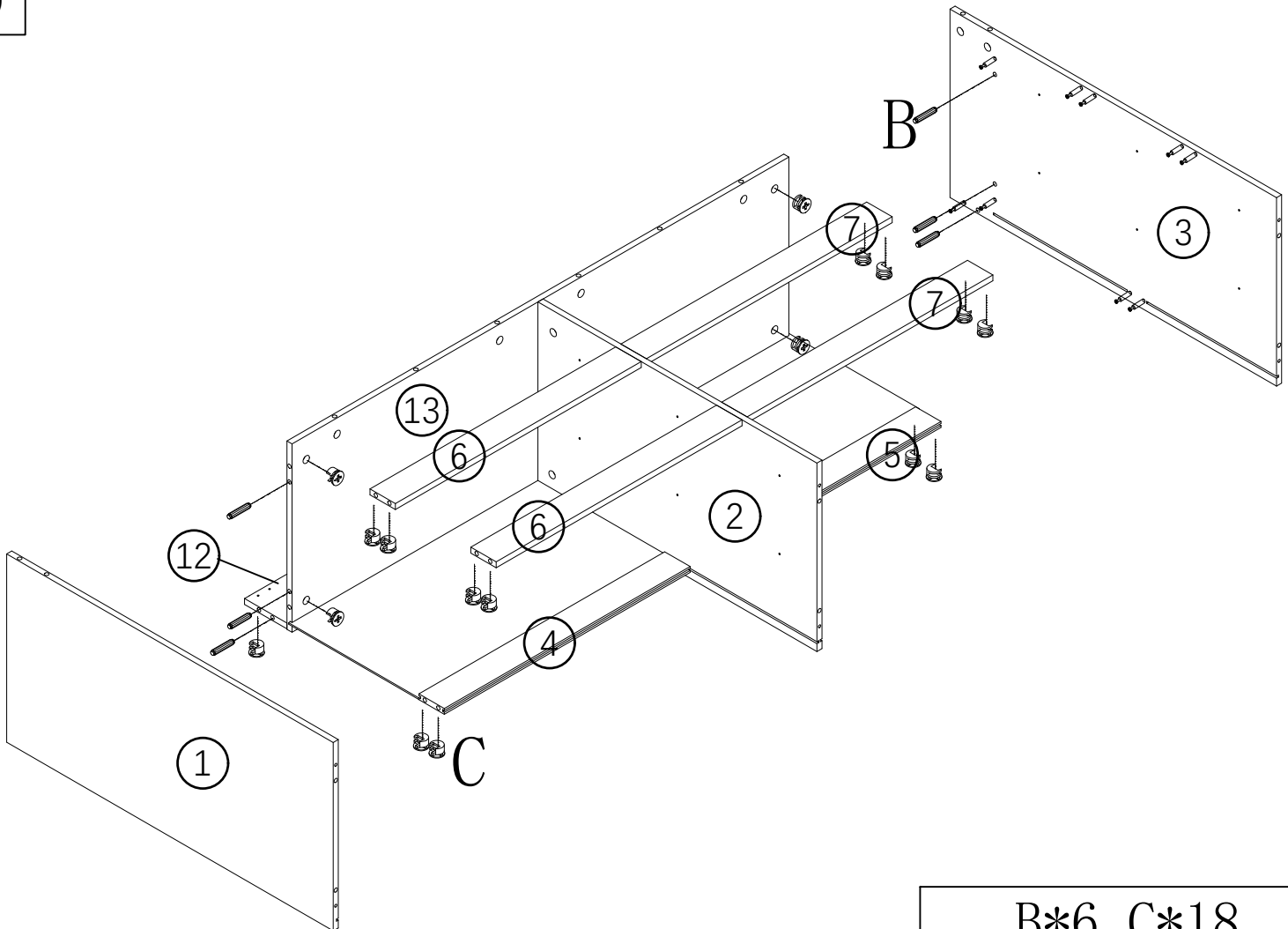


C*6

8

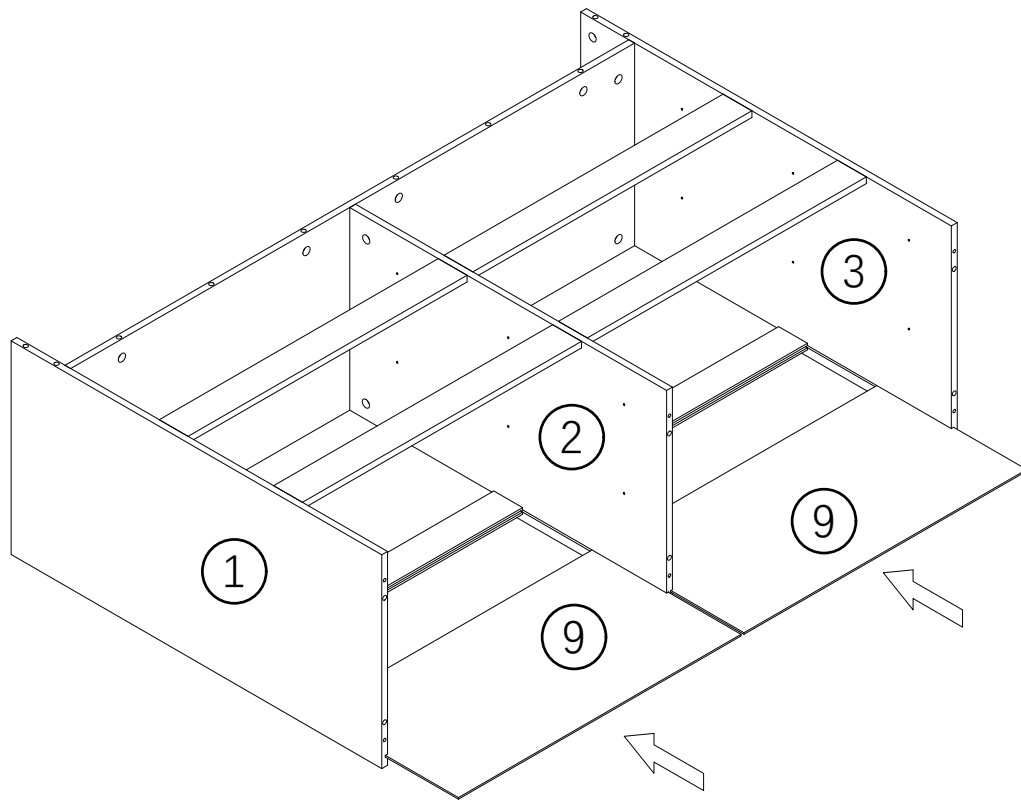


9

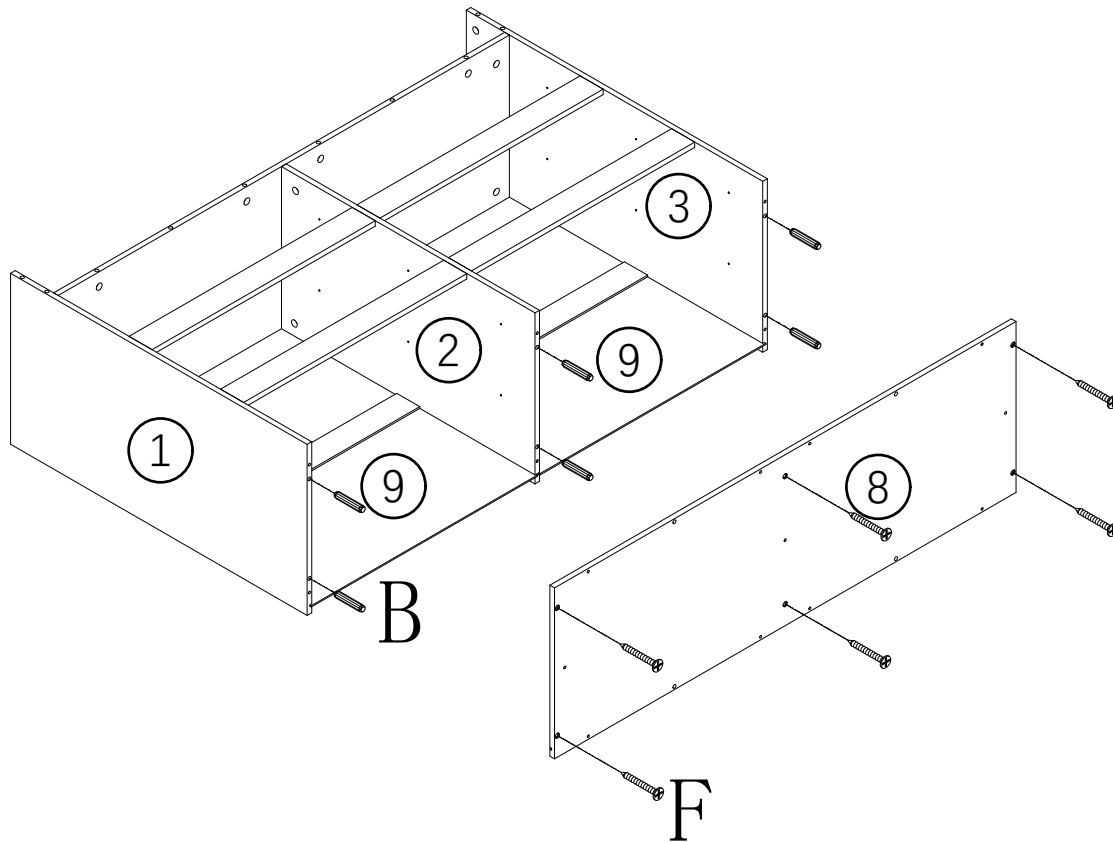


B*6 C*18

10

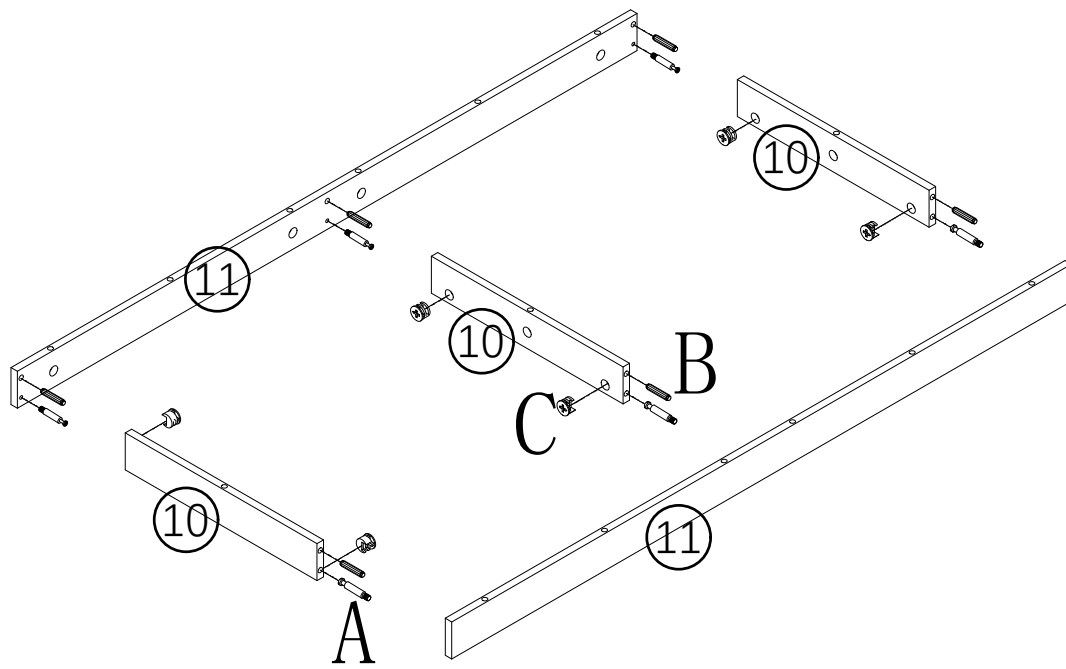


11



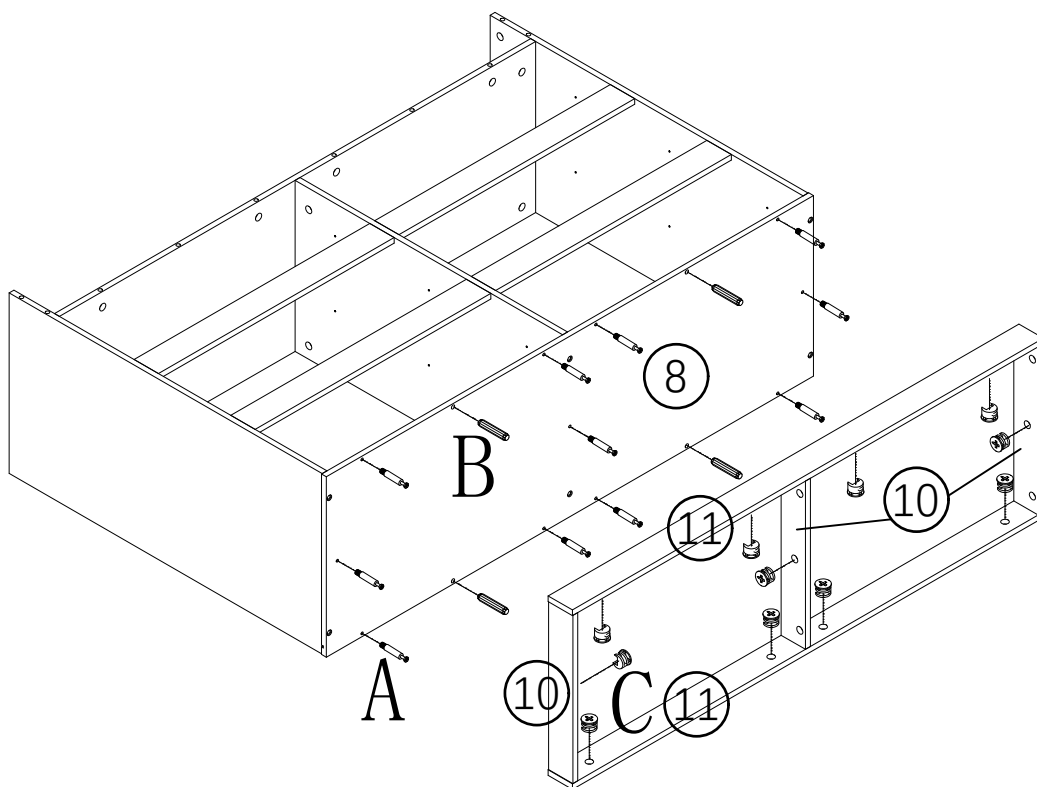
B*6 F*6

12



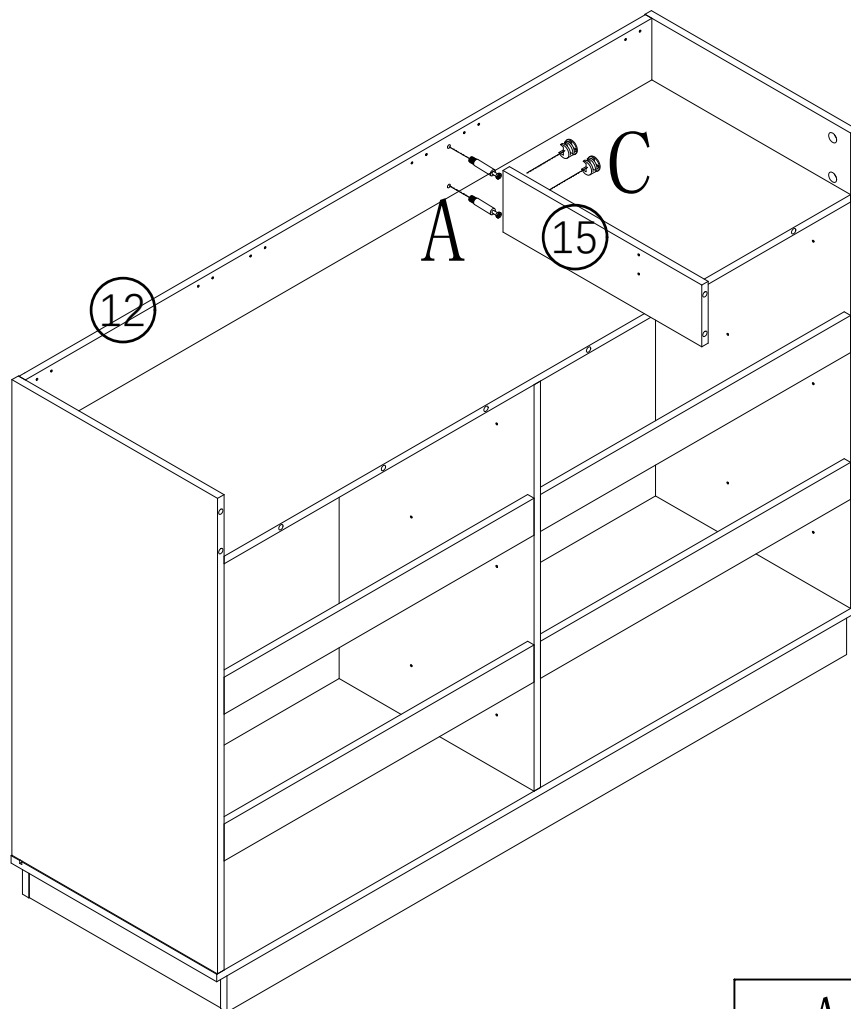
A*6 B*6 C*6

13



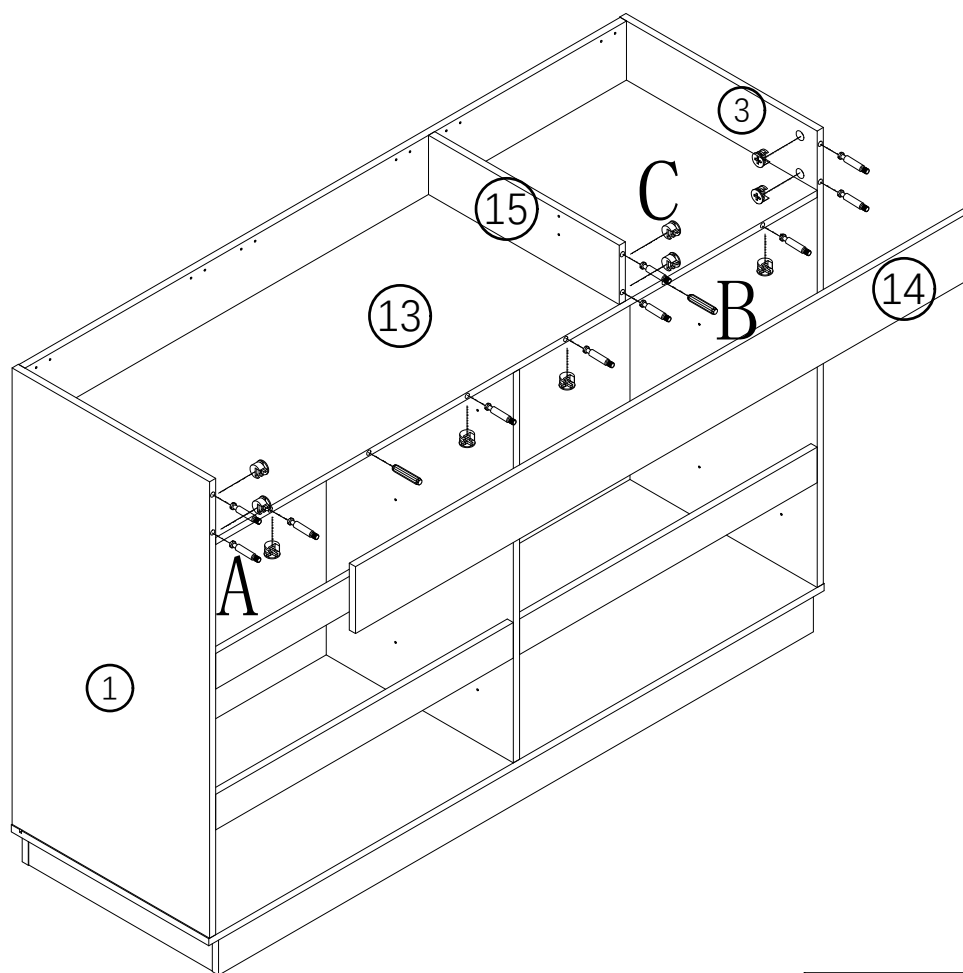
A*11 B*4 C*11

14



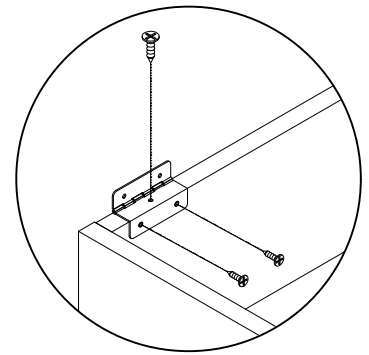
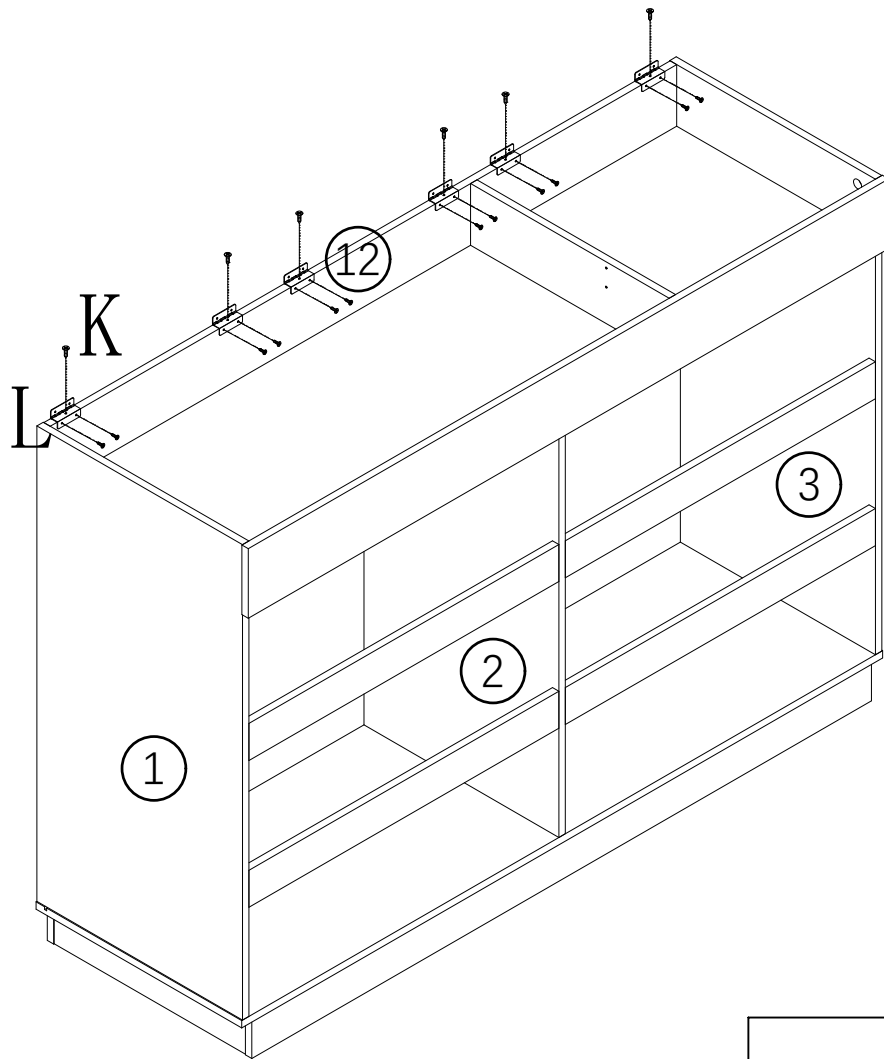
A*2 C*2

15



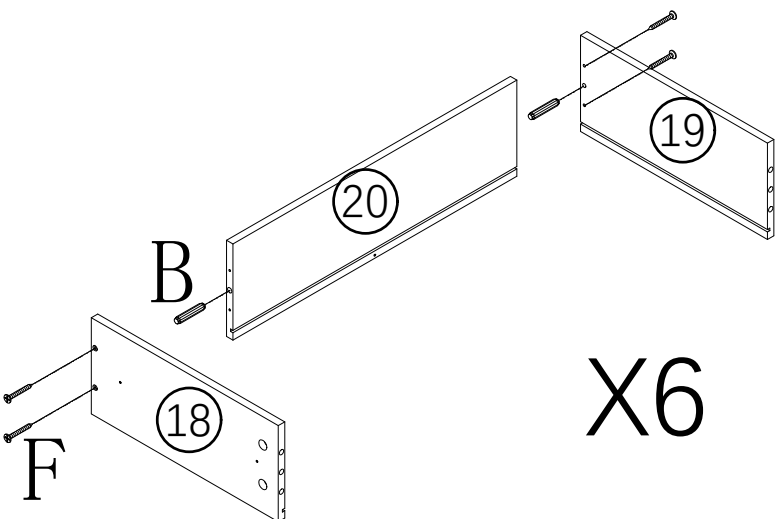
A*10 B*2 C*10

16



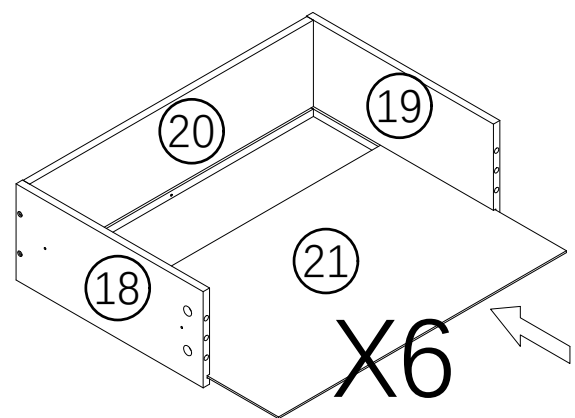
K*18 L*6

17

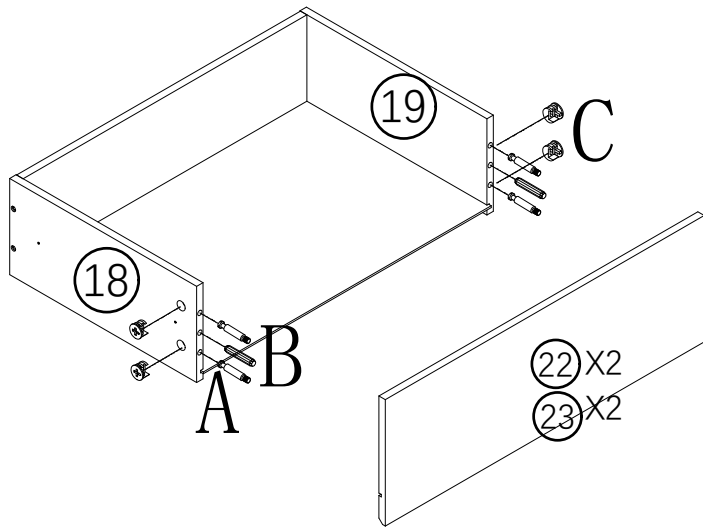


B*12 F*24

18

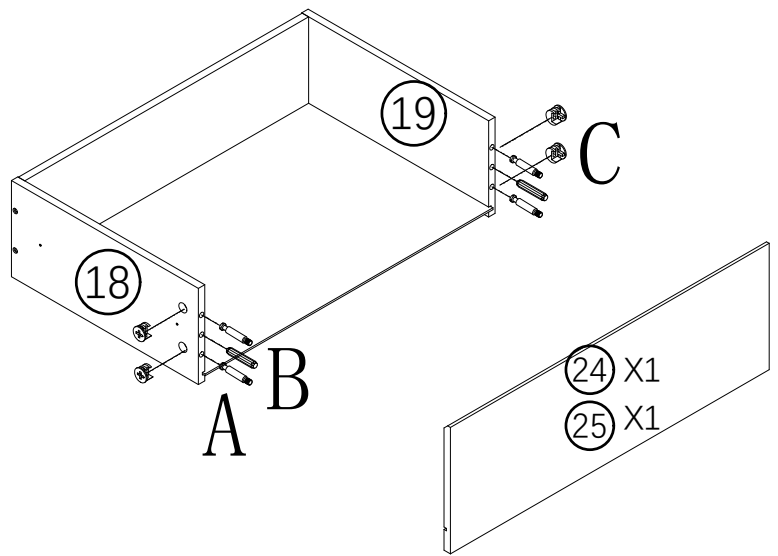


19



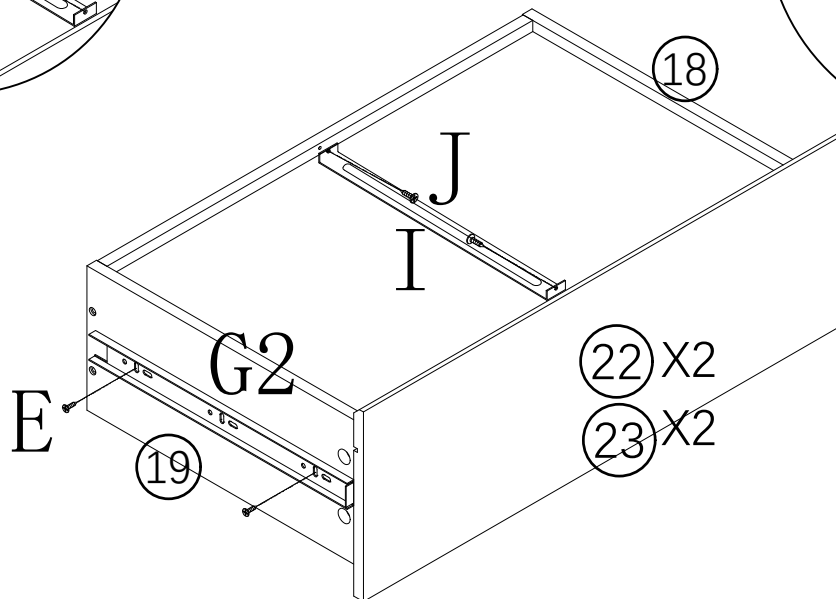
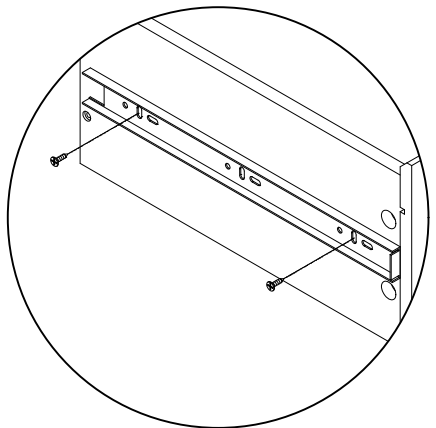
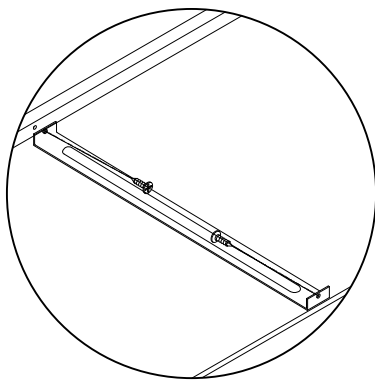
A*16 B*8 C*16

20



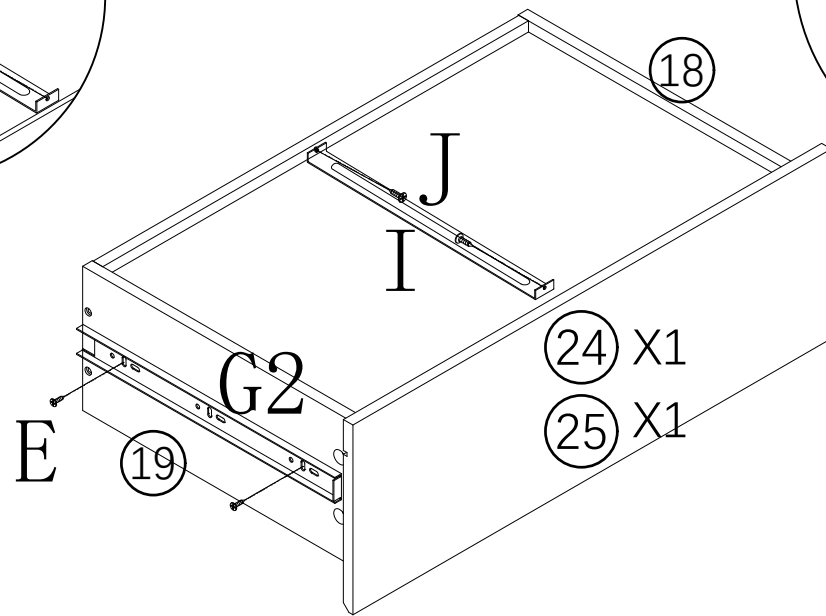
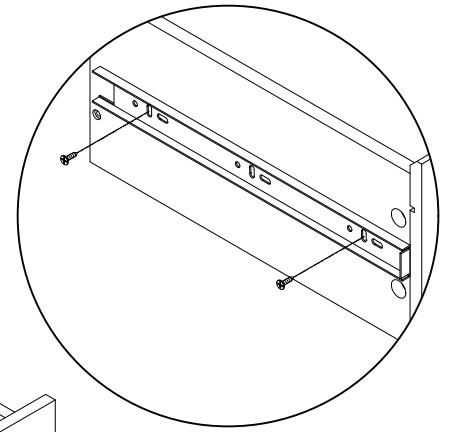
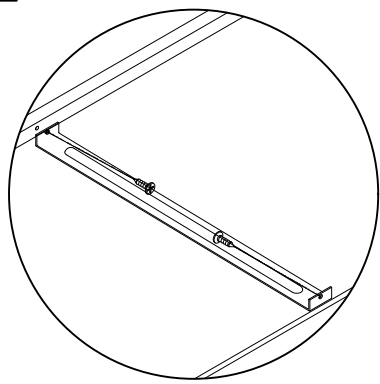
A*8 B*4 C*8

21



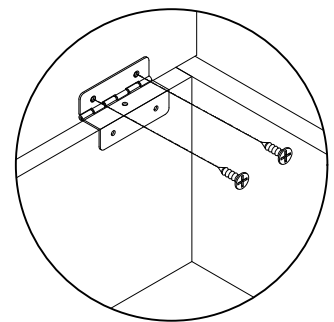
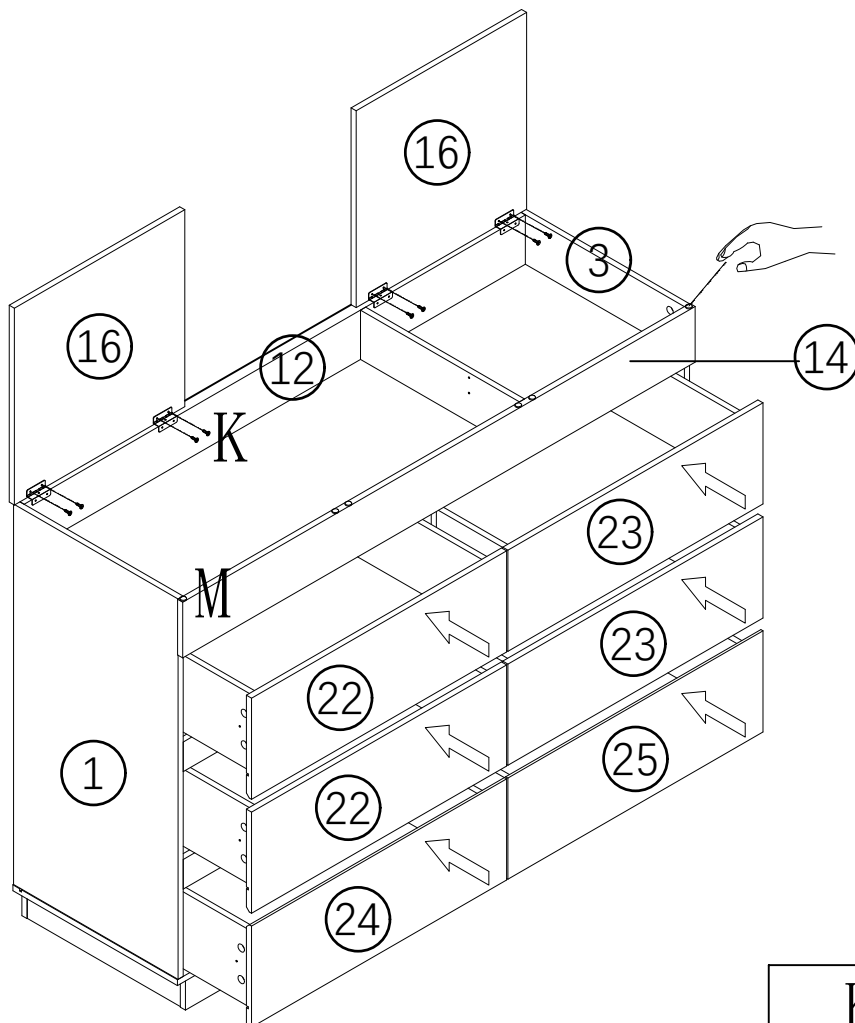
E*16 G2*8 I*4 J*8

22



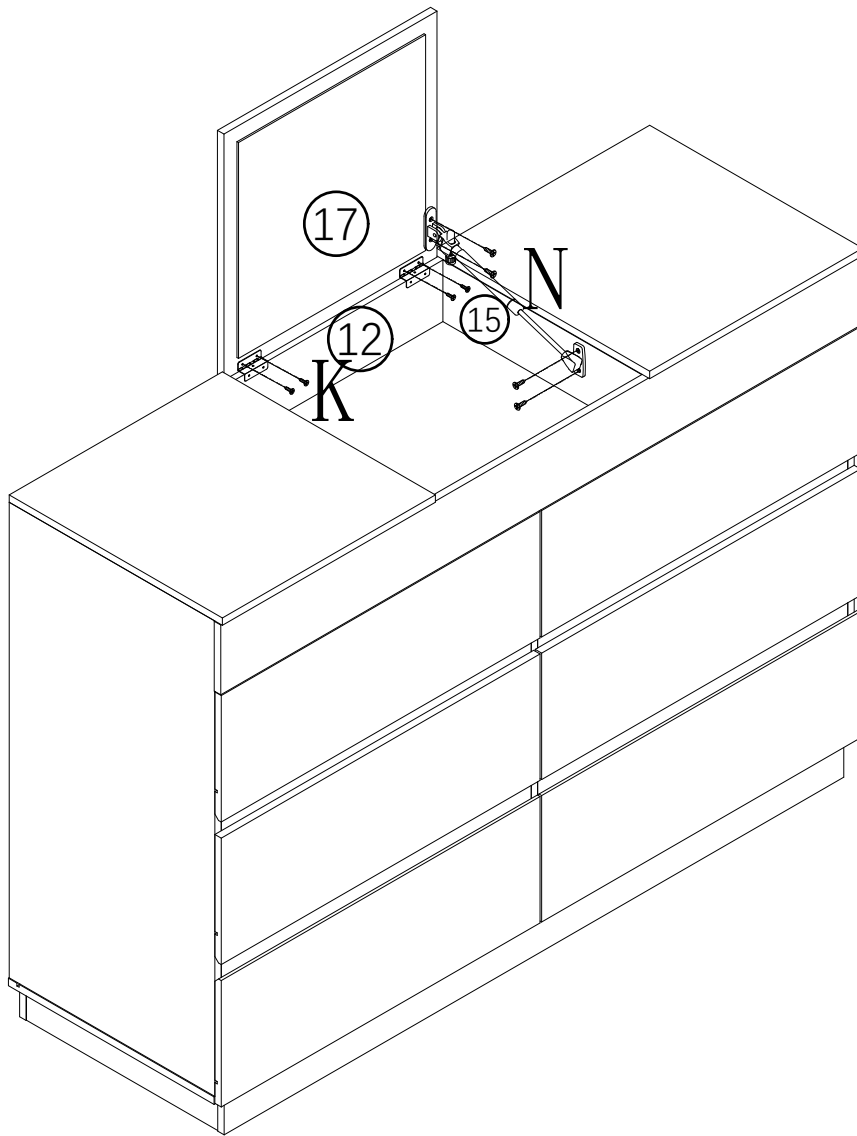
E*8 G2*4 I*2 J*4

23



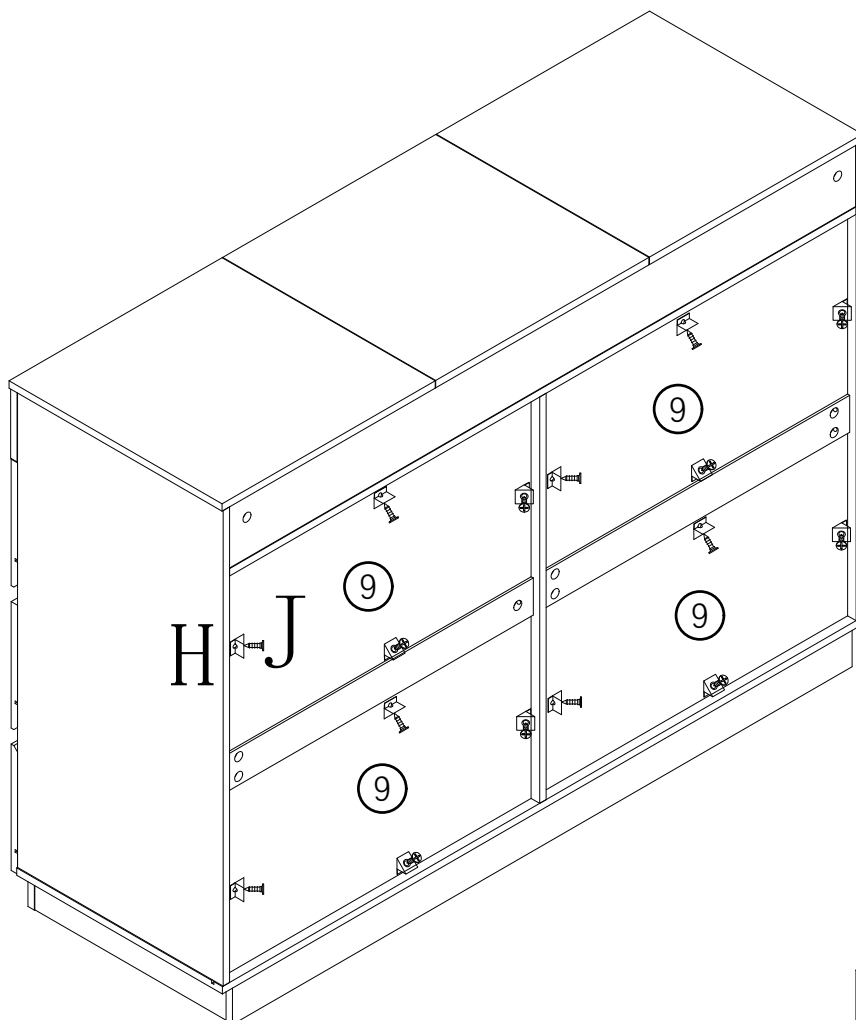
K*8 M*6

24

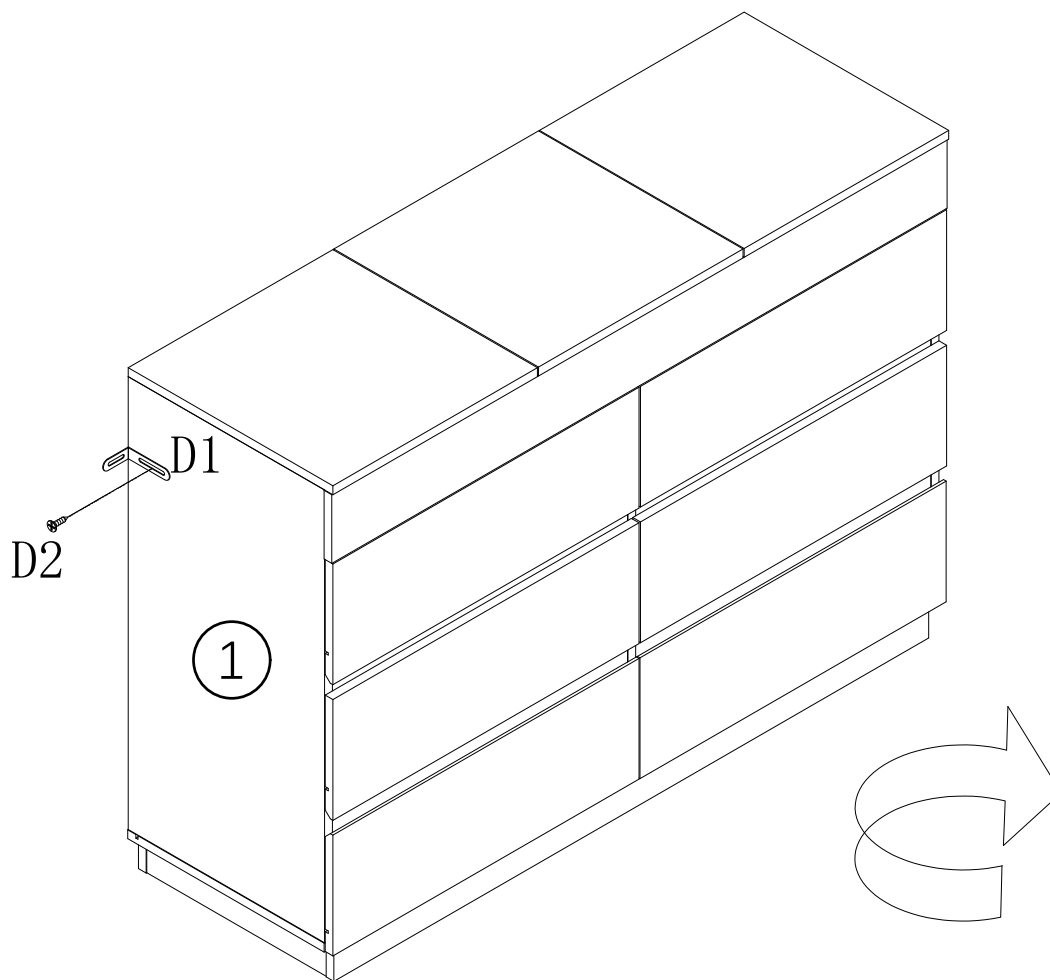


N*1 K*8

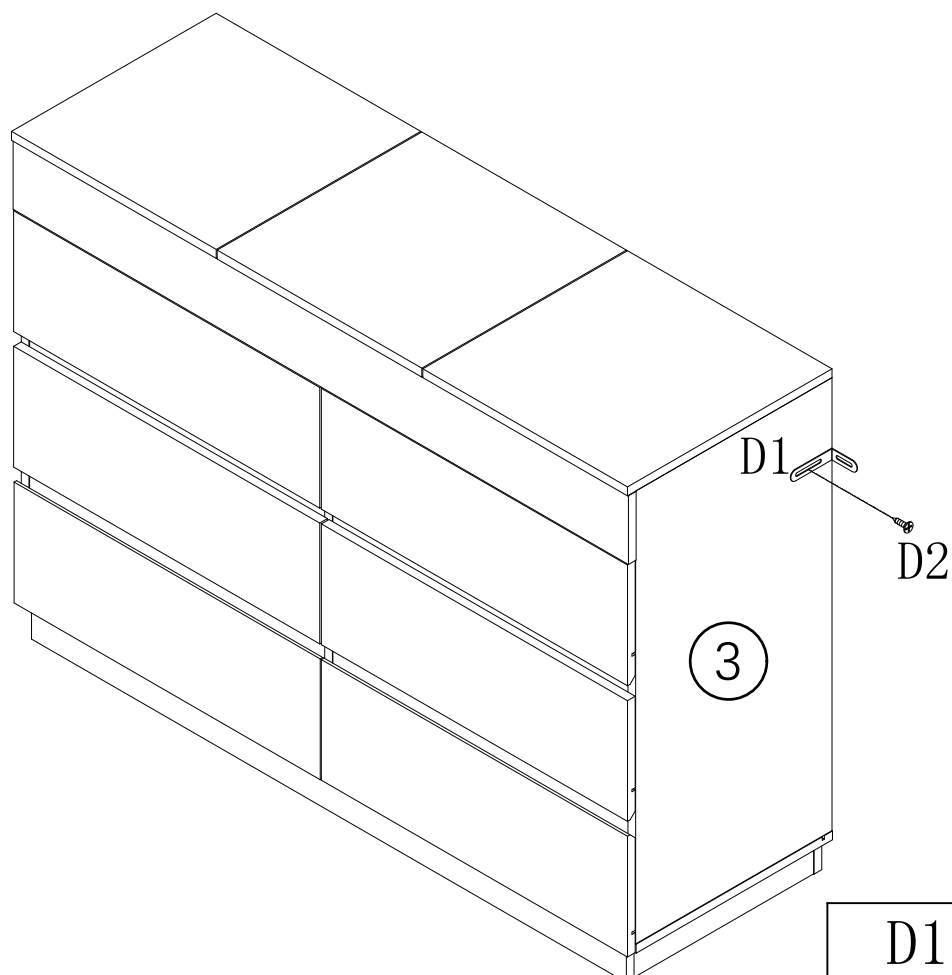
25



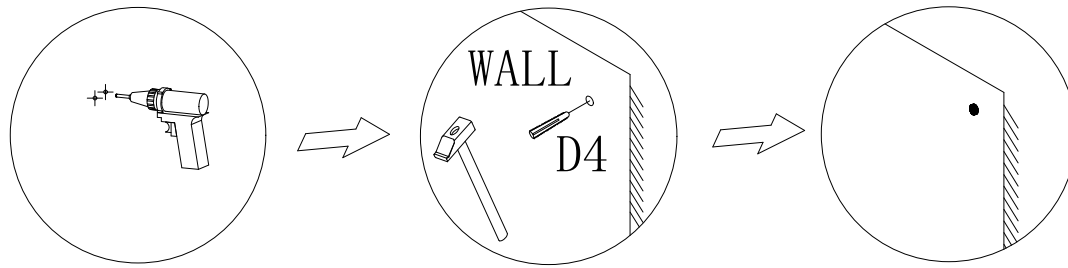
H*16 J*16



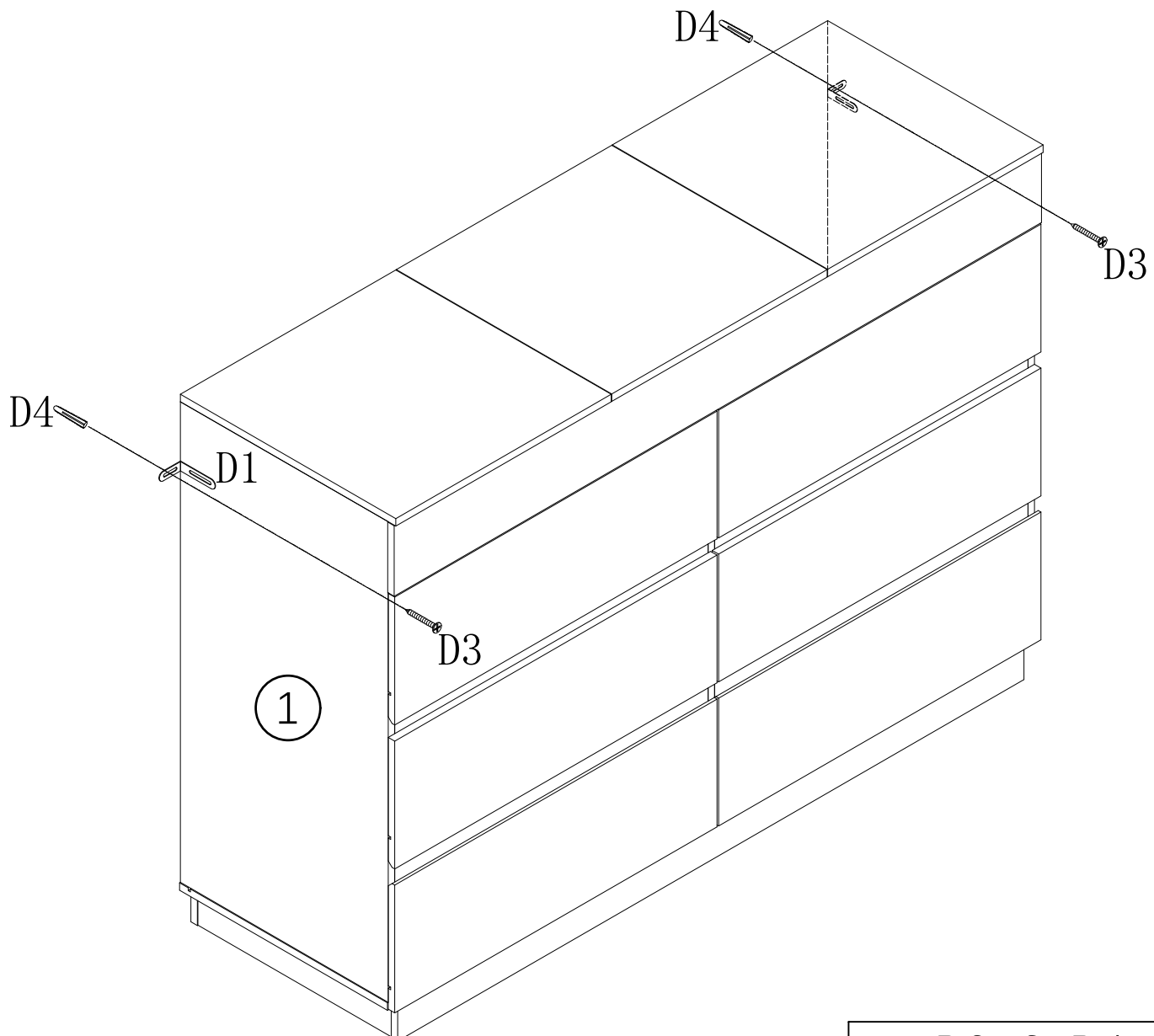
1. Attach the L-shaped bracket (D1) to panel (1)(3) and secure with screw (D2).



D1*2 D2*2



1. Drill two holes in the wall at marked positions, then insert plastic anchor (D4) into the holes until flush.
2. Align L-shaped bracket (D1) with anchors, then drive screws (D3) through the bracket into the anchors.
3. Tighten until the cabinet is firmly secured.



D3*2 D4*2