

INSTALLATION

Product Manual

Version: 210293-01-24A-AA



IMPORTANT INFORMATION!

please read the entire manual before starting to assemble and/or using this product. follow the manual thoroughly and keep it for further reference.



AVOID SCRATCHES!

In order to avoid scratching this furniture should be assembled on a soft layer- could be a rug.



IMPROVE EFFICIENCY !

Try to find a partner to install with you, which can speed up the installation efficiency and shorten the time.



ANTI-TOPPLE WARNING !

Overturnd furniture can cause serious or fatal crush injuries. To prevent tipping over, be sure to use the wall attachment, if not included with this product. Please purchase the wall attachment that fit your wall. If unsure, seek professional advice. Please read and follow each step of the instructions carefully.

IMPORTANT !

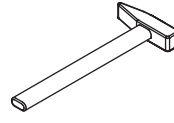
It is important that any product which is assembled using any kind of screw is re-tightened 2 weeks after assembly, and once every 3 months - in order to assure stability through-out the lifespan of the product.

For regular maintenance and cleaning of the product, for the frame, please use a rag dipped in neutral detergent to fully wipe it, and then dry it with a clean rag. For glass materials, wipe with a rag dampened with water glass cleaner, and then dry with a dry rag.

Do not use an electric screwdriver, and do not use too much force when installing, because the board is easy to break.

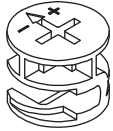


Please prepare the following tools



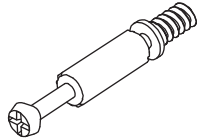
When installing, please carefully confirm whether each screw corresponds to the manual, accessories with similar shapes can be distinguished by size

A x 114



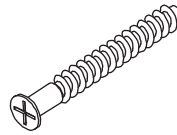
CRB1510A

B x 114



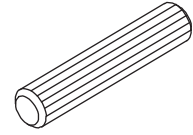
CRA0635A

C x 50



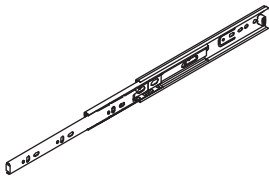
CRC0540A

D x 8



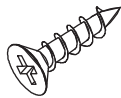
CRF0630A

E x 18



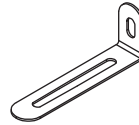
14"-3508

F x 74

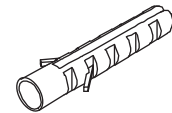


CRD3512A

H x 2

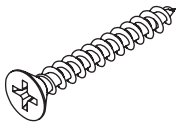


I x 2



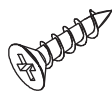
Ø8 x 38 mm

J x 2

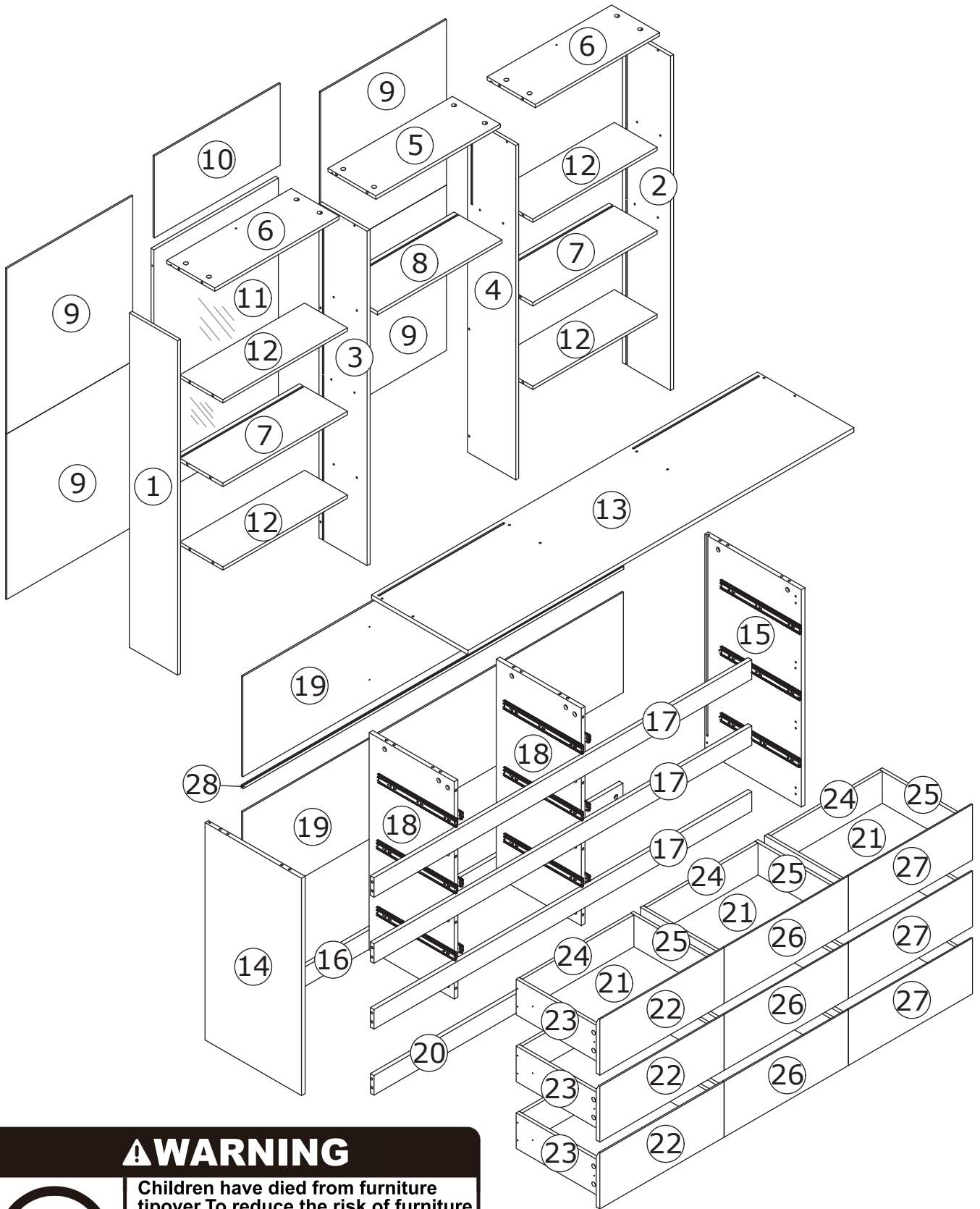


CRD3535A

K x 8



CRD3520A



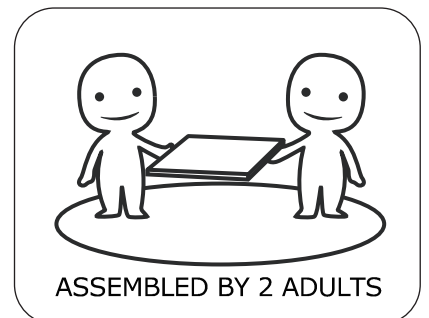
⚠ WARNING



Children have died from furniture tipover. To reduce the risk of furniture tipover:

- ALWAYS install Anti-tip device provided.
- NEVER put a TV on this product.
- NEVER allow children to stand, climb or hang on drawers, doors, or shelves.
- NEVER open more than one drawer at a time.
- Place heaviest items in the lowest drawers.

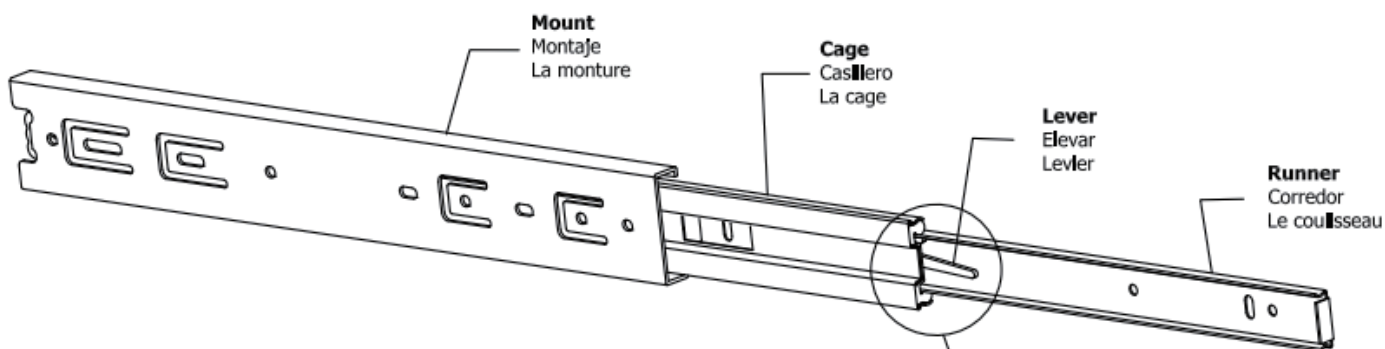
*This is a permanent label.
Do not remove!*



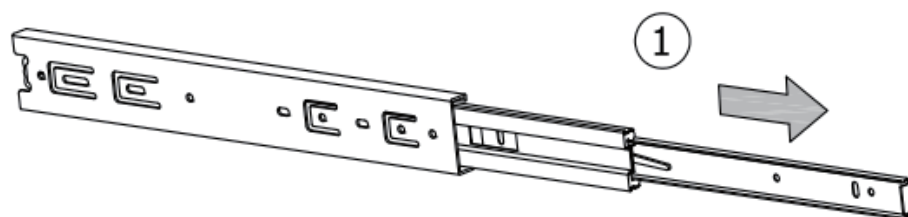
**Slides Must Be Separated Before Assembly.
After Separated, Set Aside Until Needed for Assembly.**

Las diapositivas deben separarse antes del montaje.
Después de la separación, déjelo a un lado hasta que sea necesario.

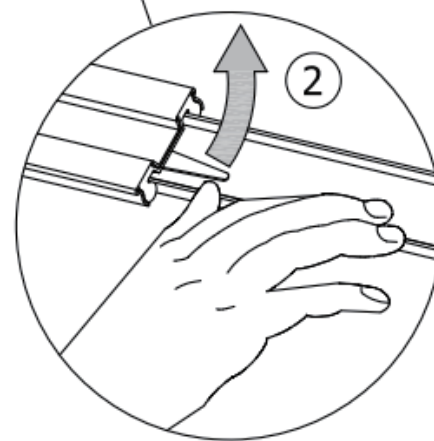
Les glissières doivent être séparées avant l'assemblage.
Après la séparation, mettez de côté jusqu'au moment de l'assemblage.



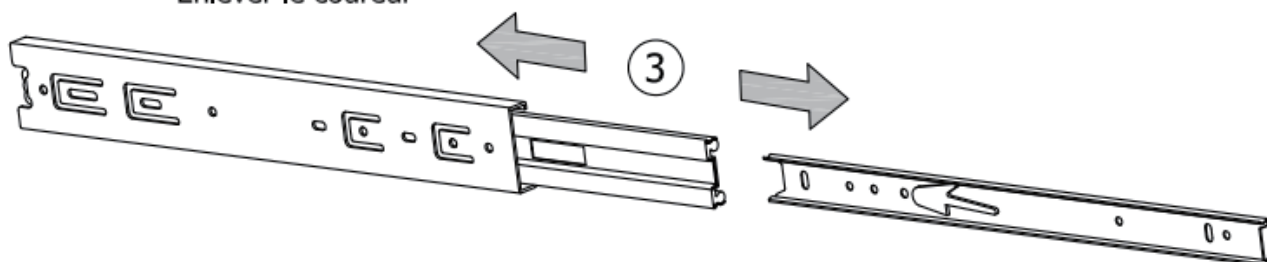
STEP 1: Extend Slide
Extender la diapositiva
Extendre la diapositive



STEP 2: Push Lever UP
Empujar hacia arriba
Lever le levier



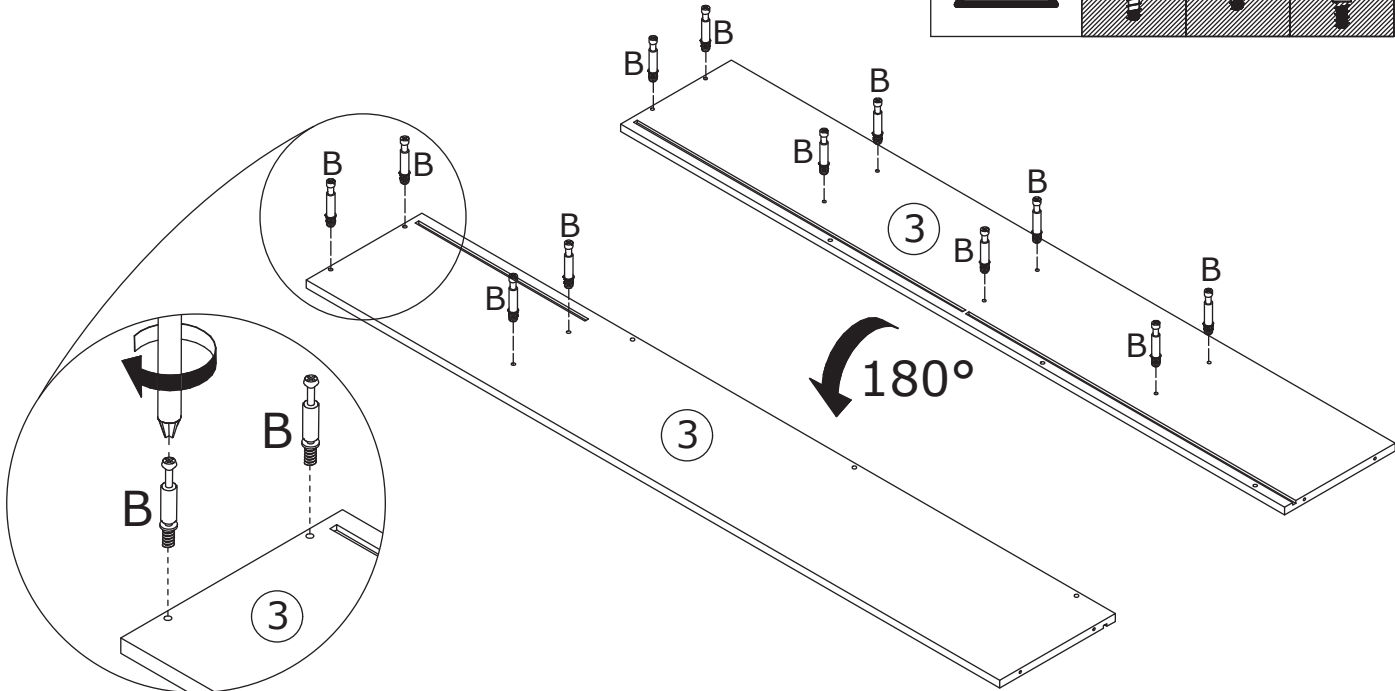
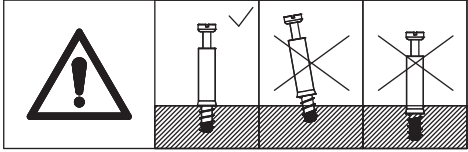
STEP 3: Remove Runner
Quitar el corredor
Enlever le coureur



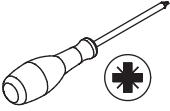
1



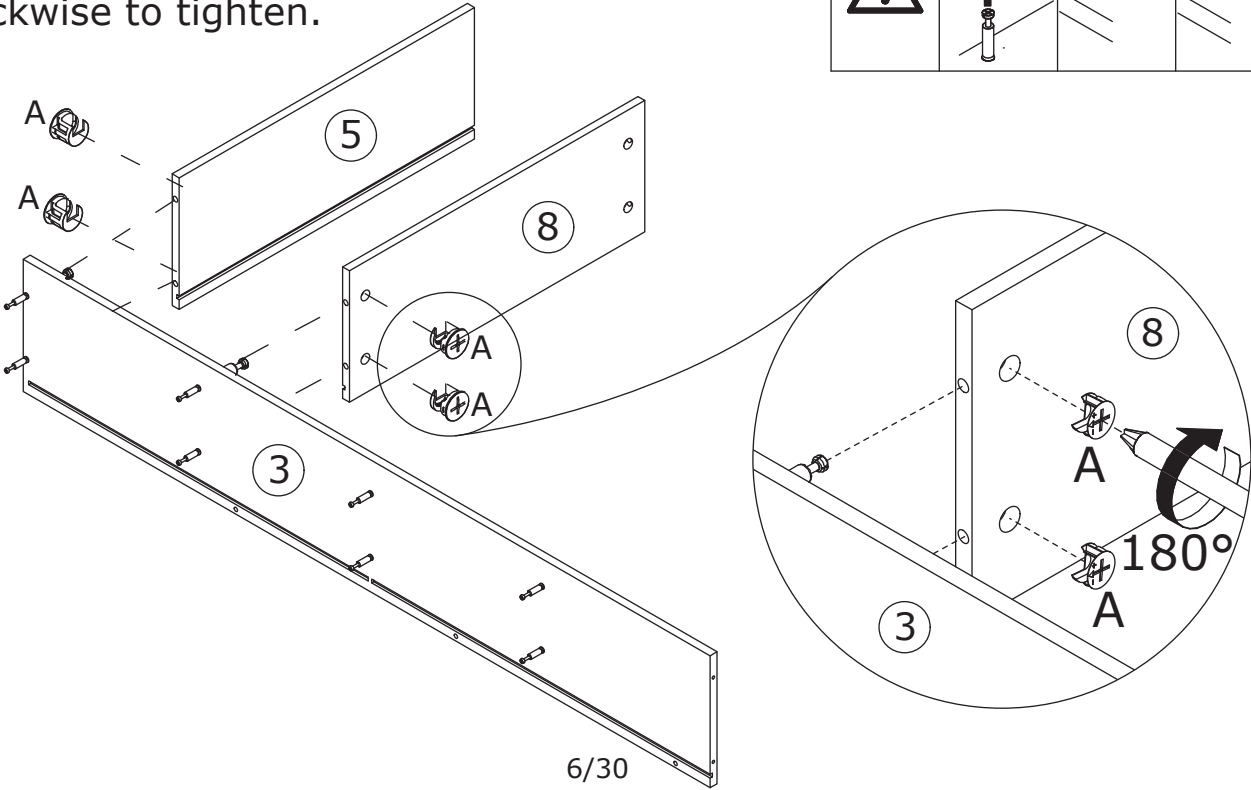
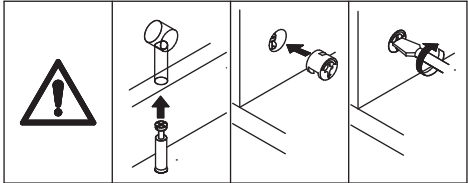
Screw eccentric rod(B) into panel 3.



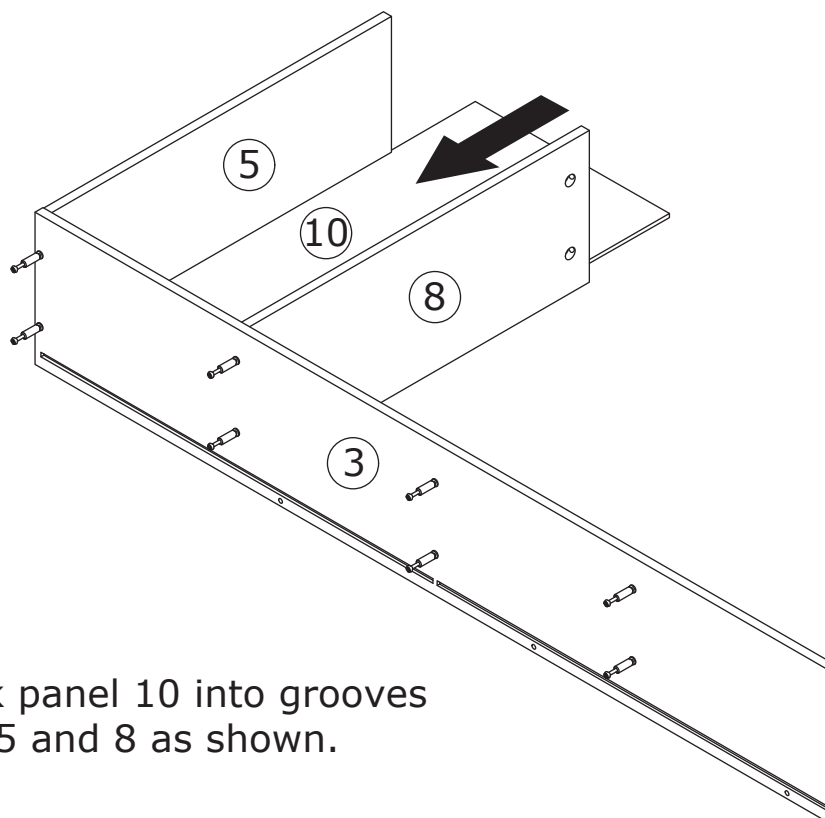
2



Connect panel 5,8 to 3, add cam lock(A) into panel 5,8 then turn clockwise to tighten.

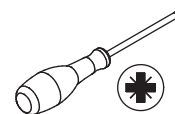


3

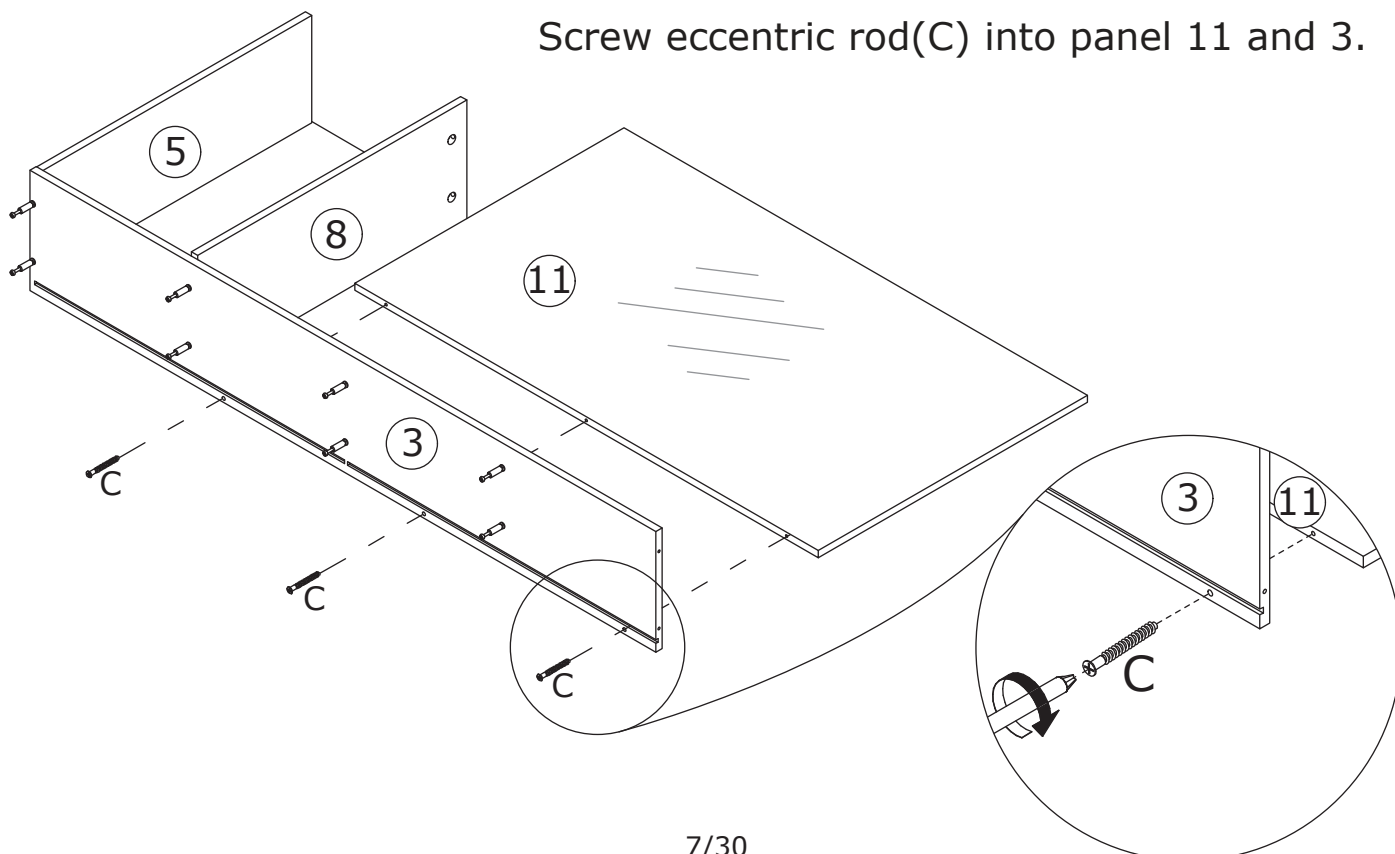


Insert back panel 10 into grooves of panel 3,5 and 8 as shown.

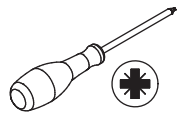
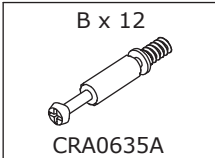
4



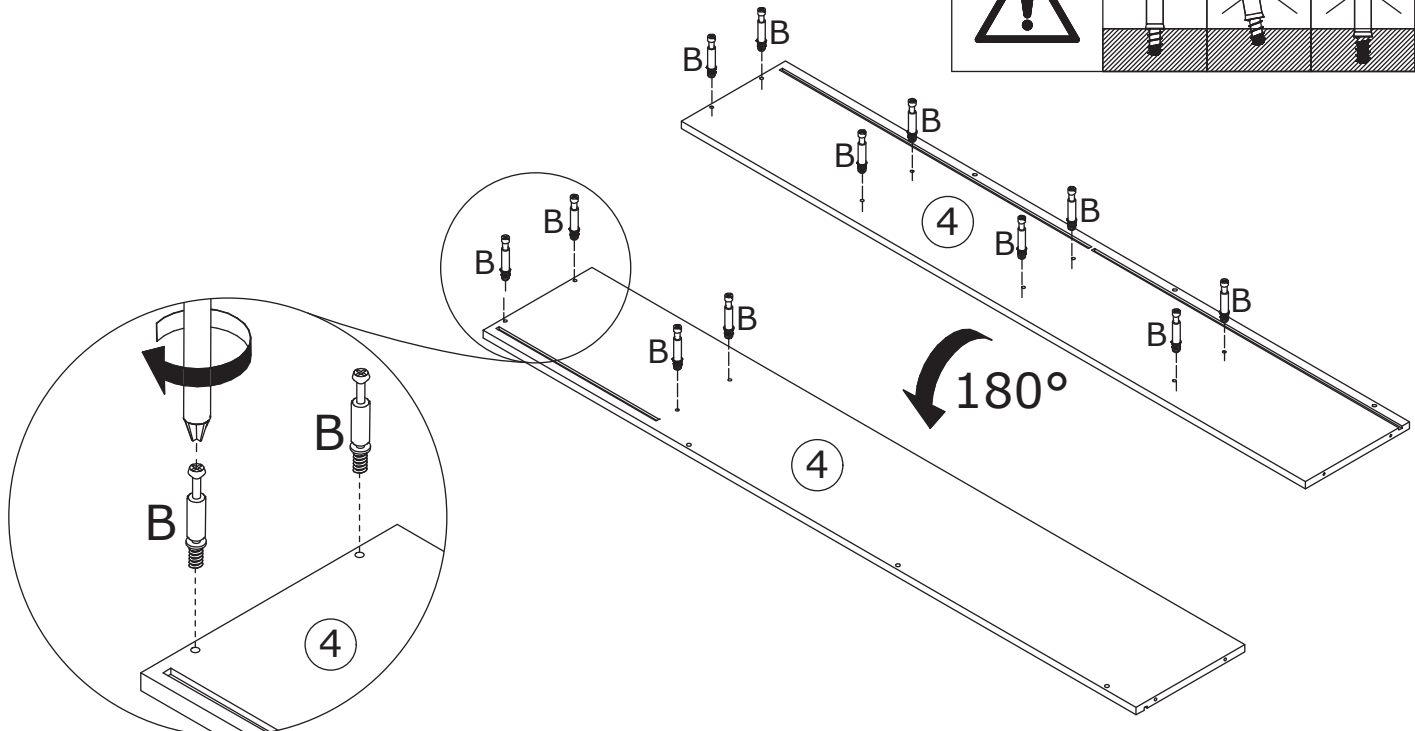
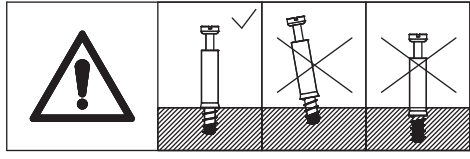
Screw eccentric rod(C) into panel 11 and 3.



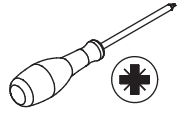
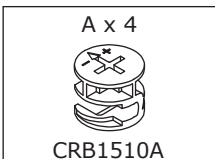
5



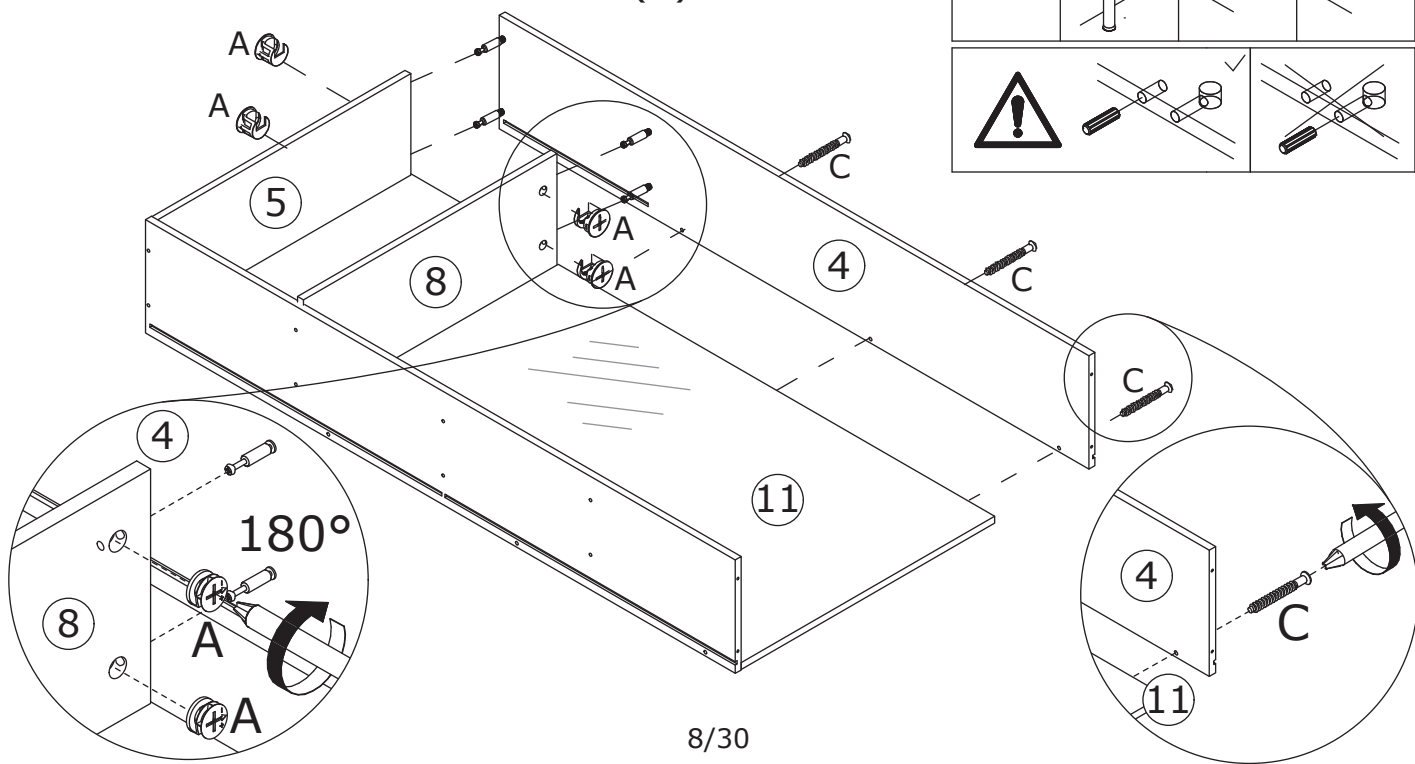
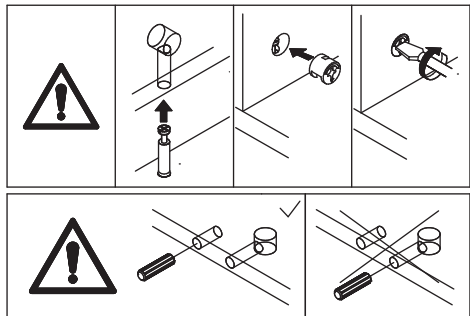
Screw eccentric rod(B) into panel 4.



6



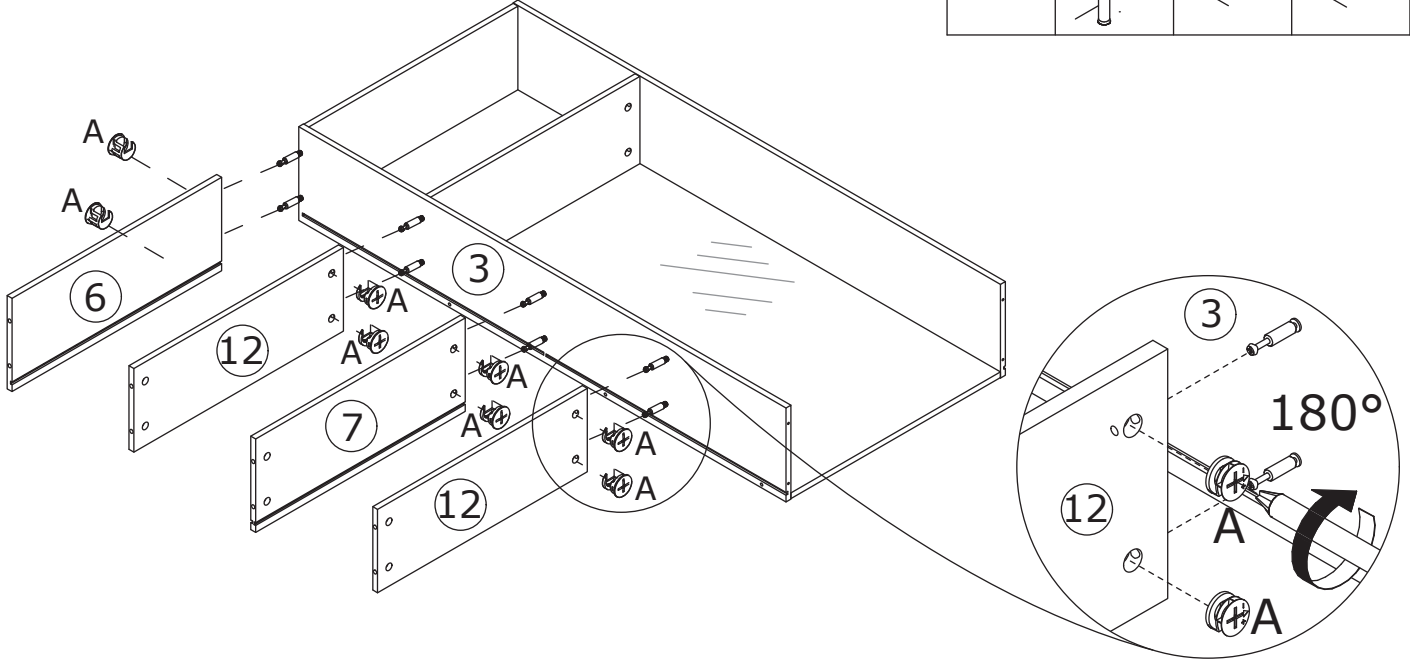
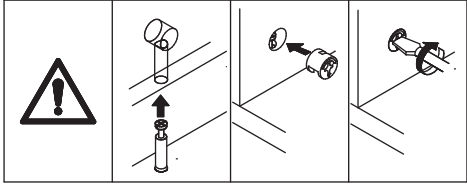
Connect panel 4 to 5,8 add cam lock(A) into panel 5 and 8 then turn clockwise to tighten. Attach board 4 to 11 with screw(C).



7

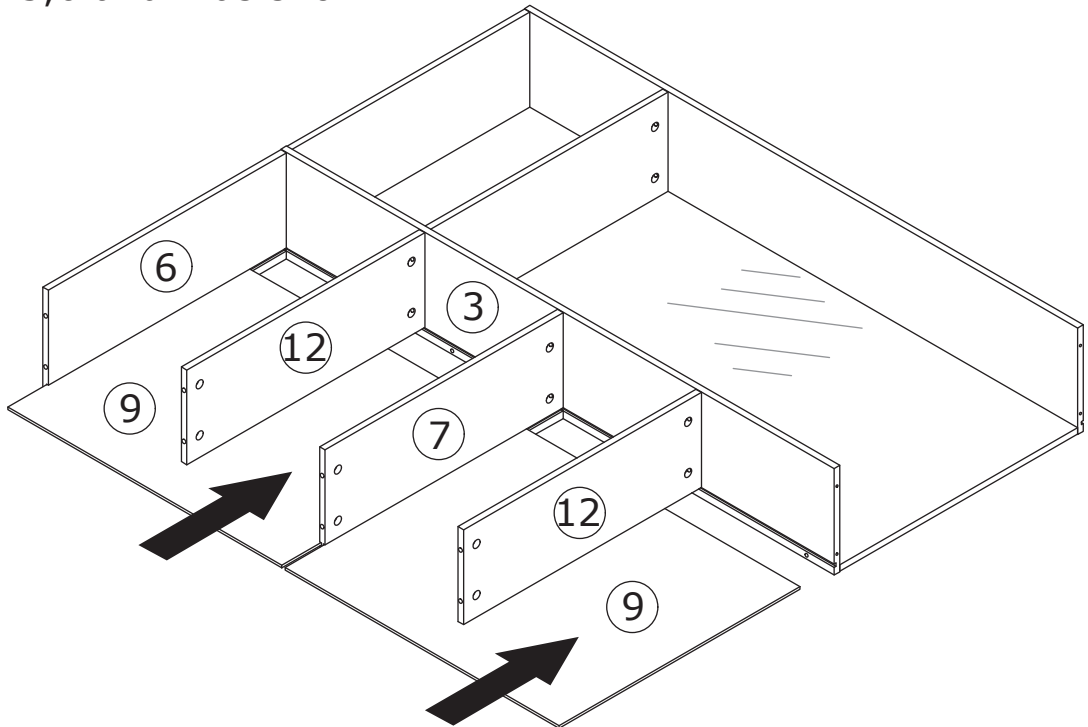


Connect panel 6,7 and 12 to 3 add cam lock(A) into panel 6,7,12 then turn clockwise to tighten.



8

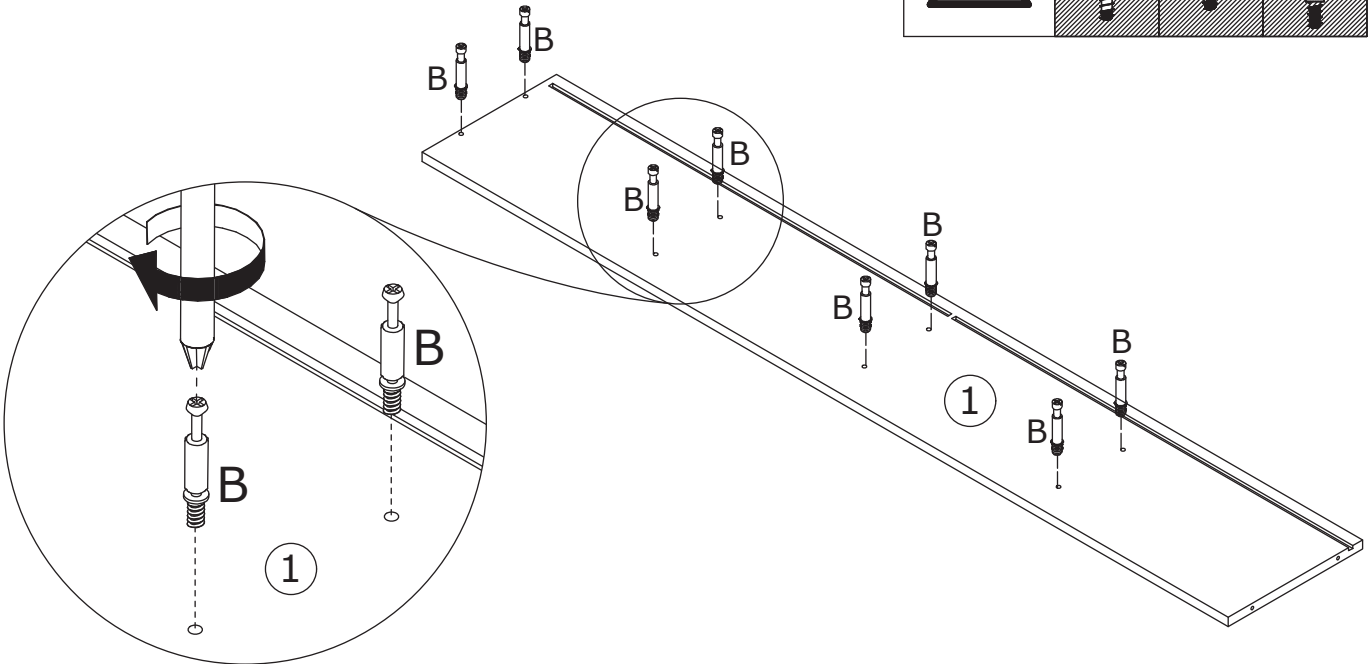
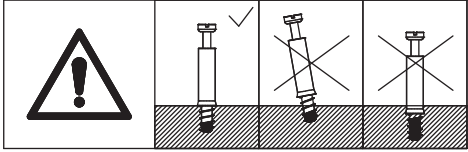
Insert back panel 9 into grooves of panel 3,6 and 7 as shown.



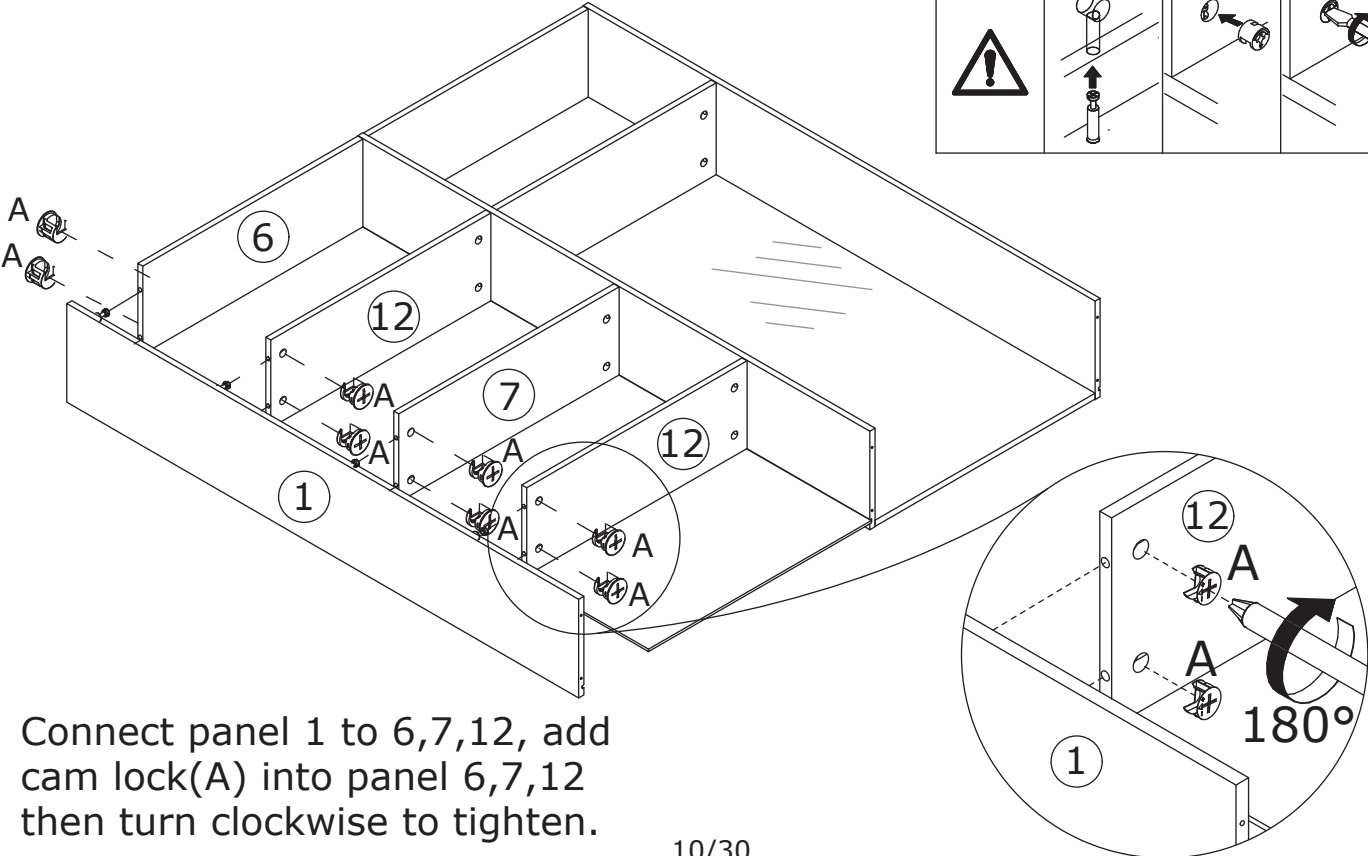
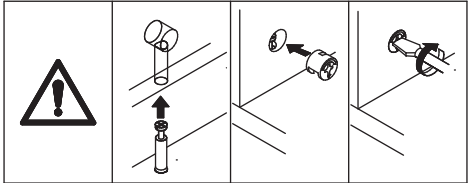
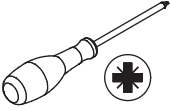
9



Screw eccentric rod(B) into panel 1.



10

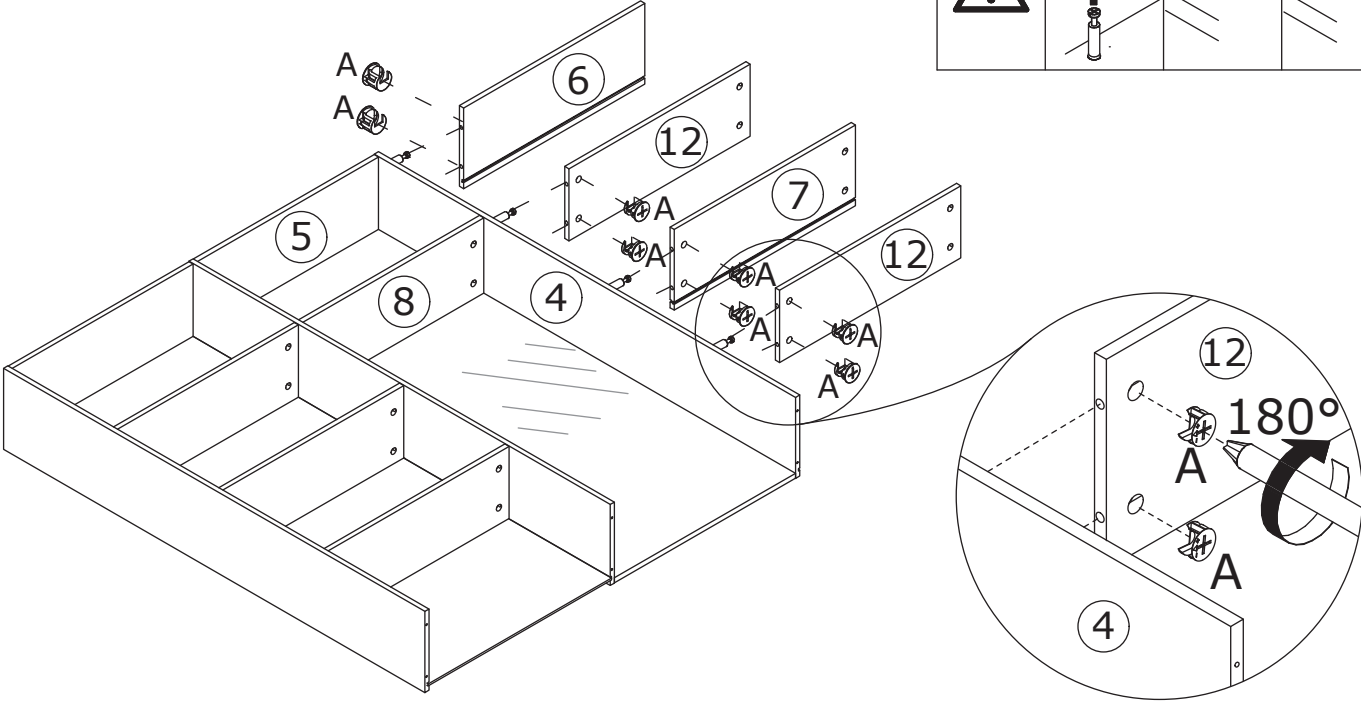
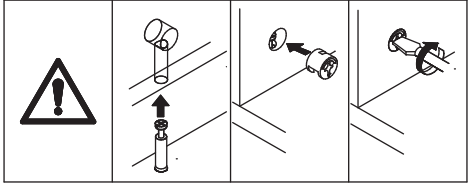


Connect panel 1 to 6,7,12, add cam lock(A) into panel 6,7,12 then turn clockwise to tighten.

11

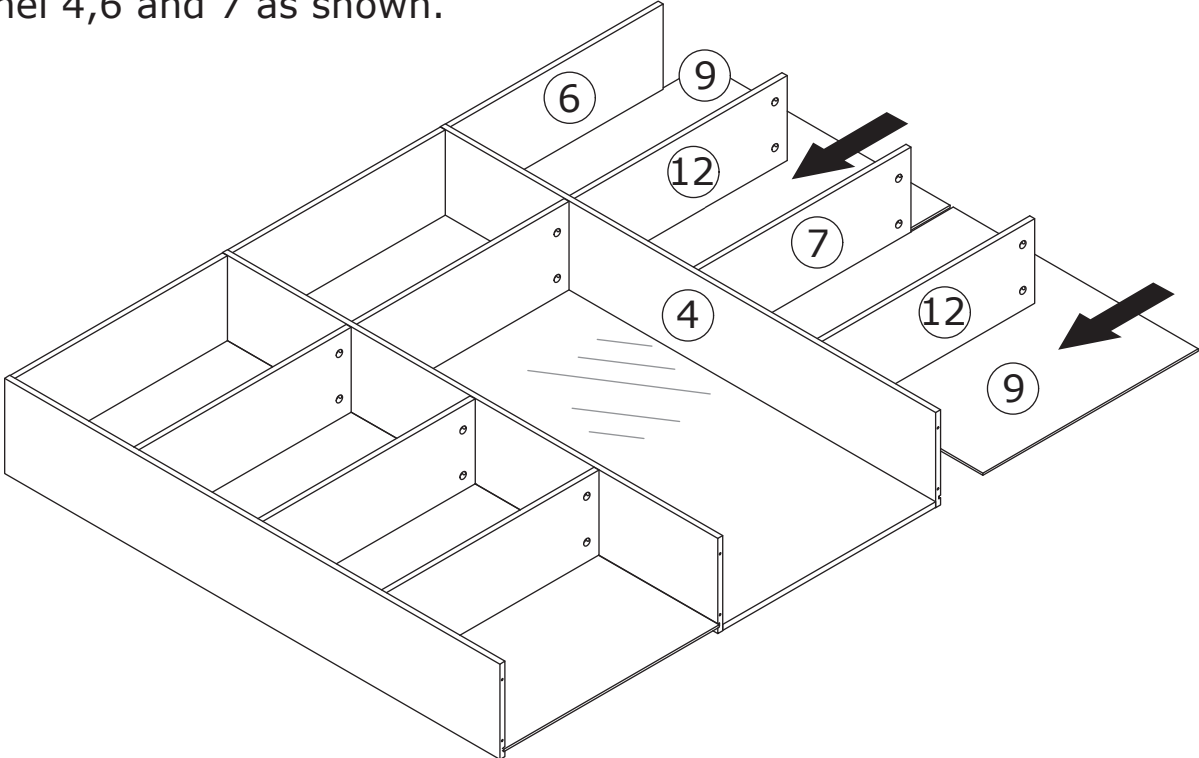


Connect panel 6,7,12 to 4 add cam lock(A) into panel 6,7 and 12 then turn clockwise to tighten.



12

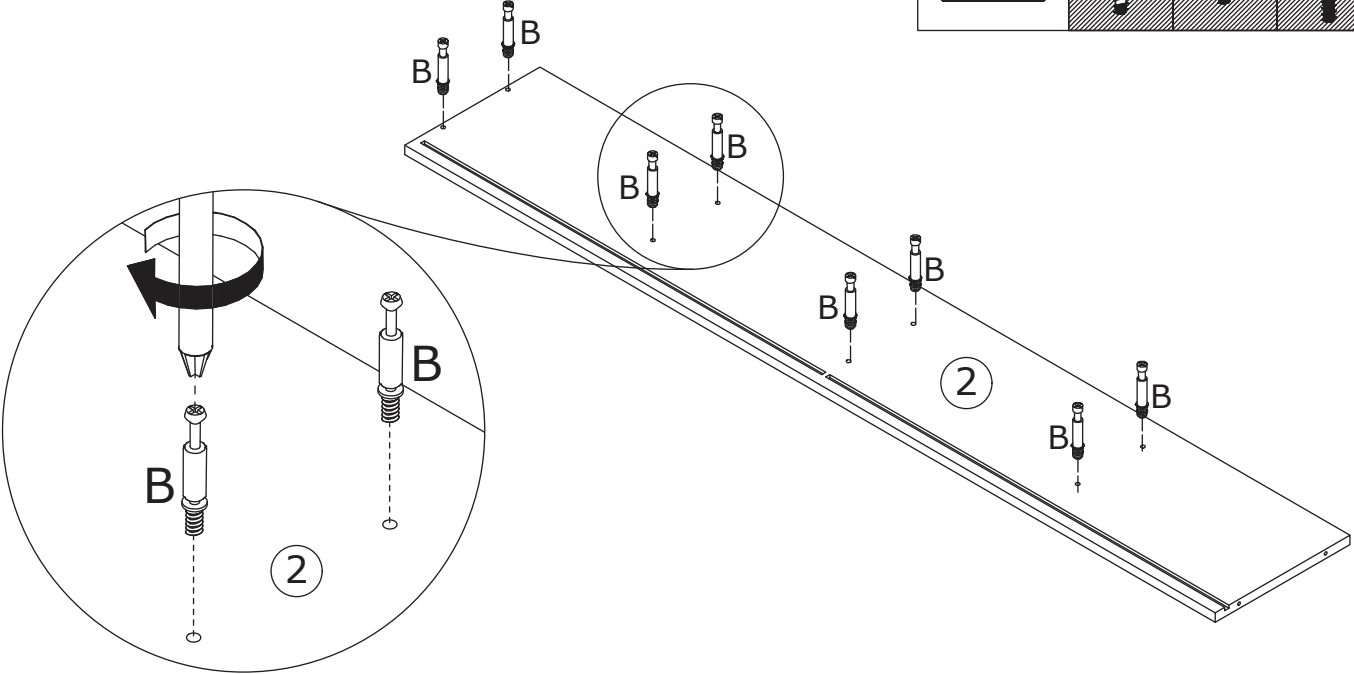
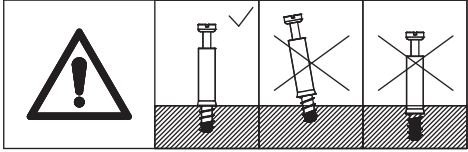
Insert back panel 9 into grooves of panel 4,6 and 7 as shown.



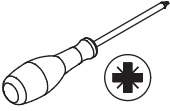
13



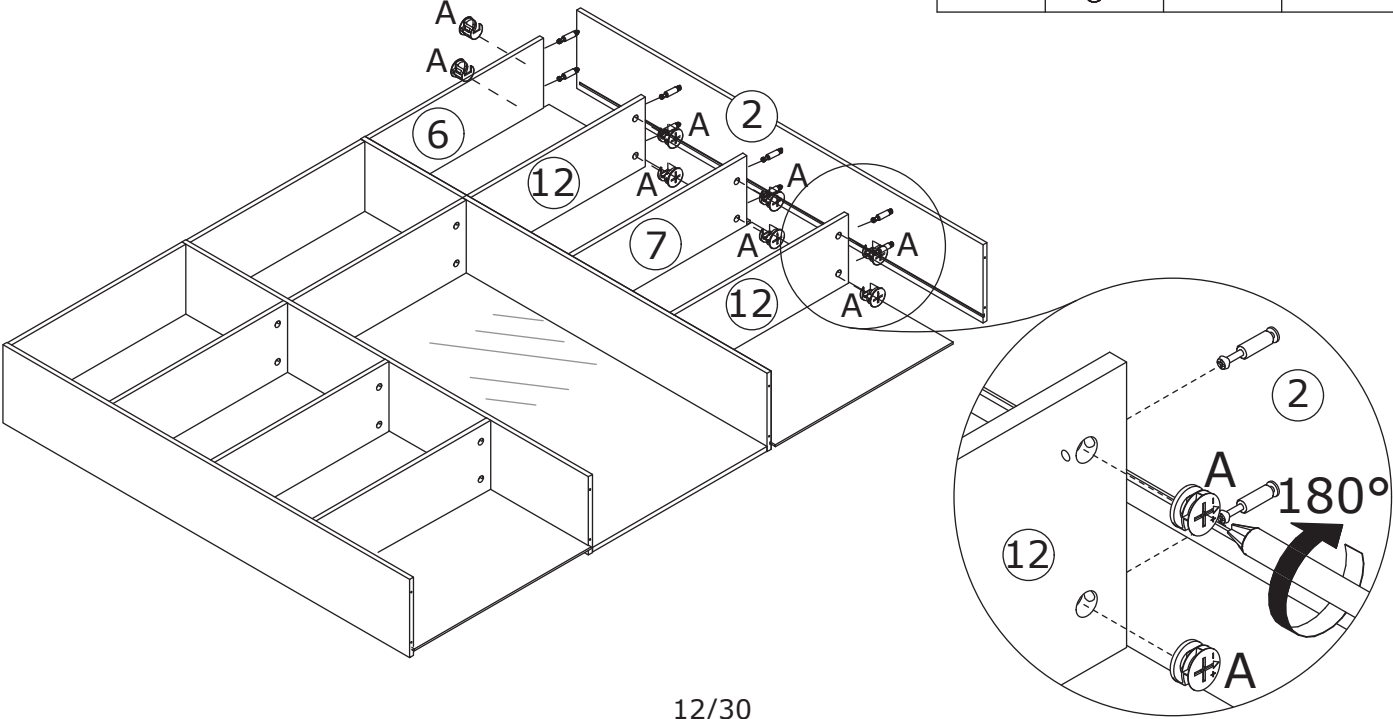
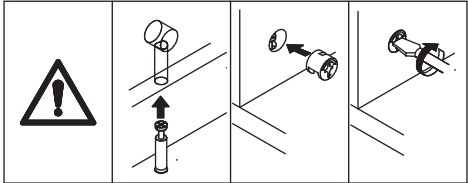
Screw eccentric rod(B) into panel 2.



14



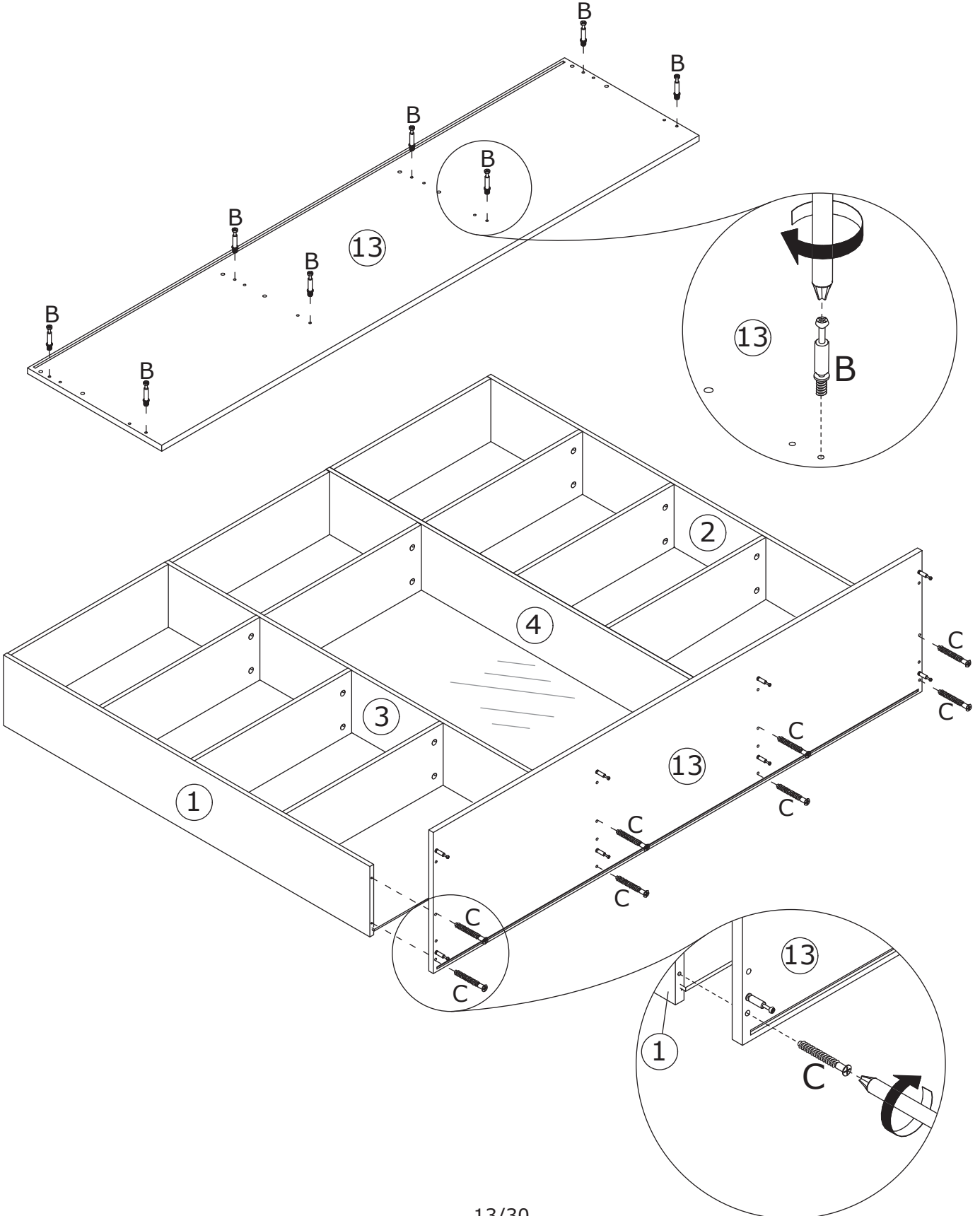
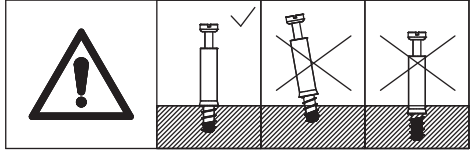
Connect panel 6,7,12 to 2, add cam lock(A) into panel 6,7 and 12 then turn clockwise to tighten.



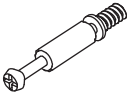


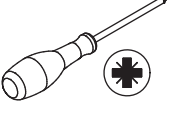
15



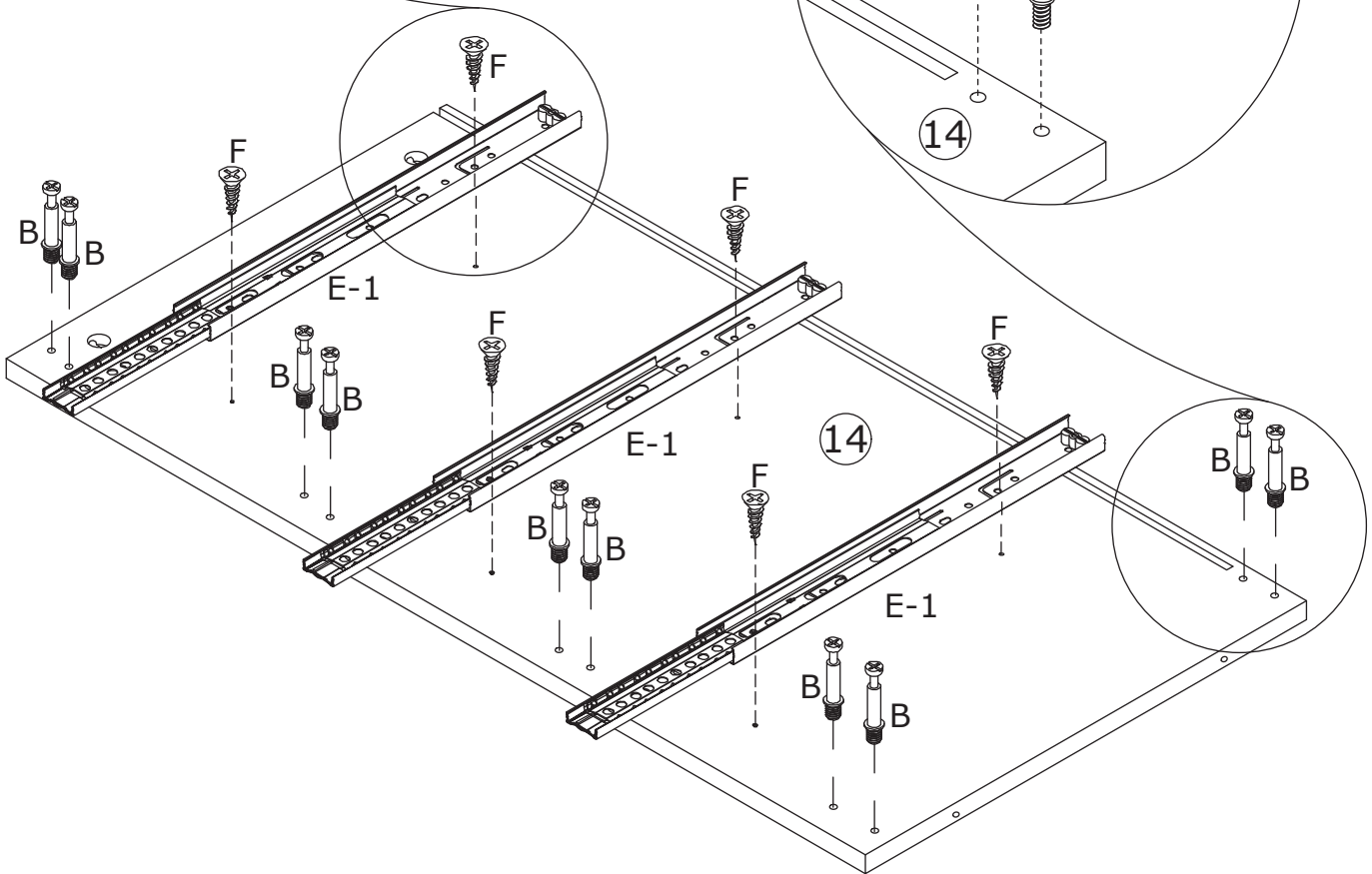
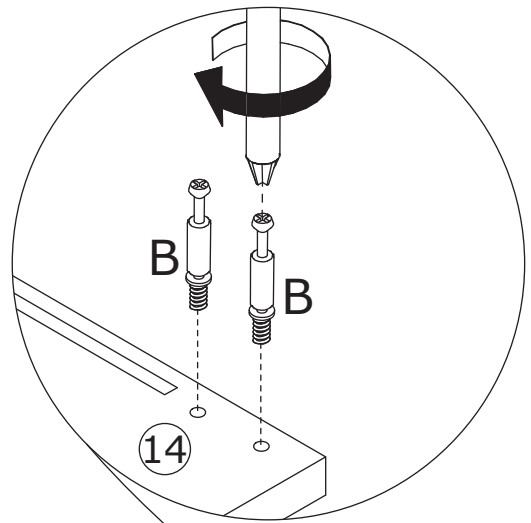
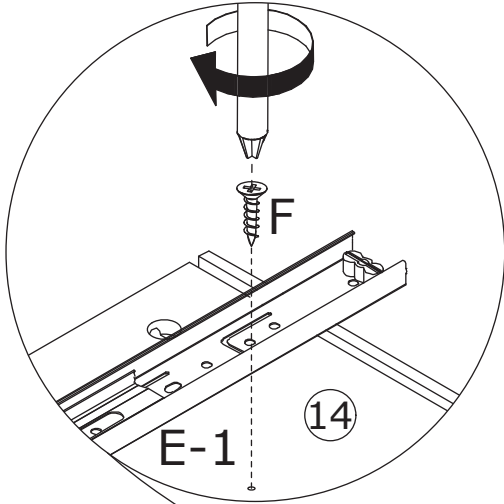
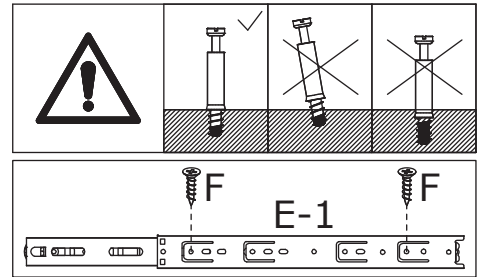
Screw eccentric rod(B) into panel 13.
Attach board 13 to 1,2,3 and 4 with screw(C) .



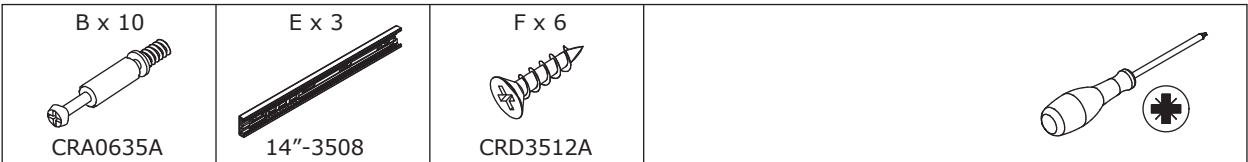
16

 B x 10 CRA0635A	 E x 3 14"-3508	 F x 6 CRD3512A	
---	--	--	---

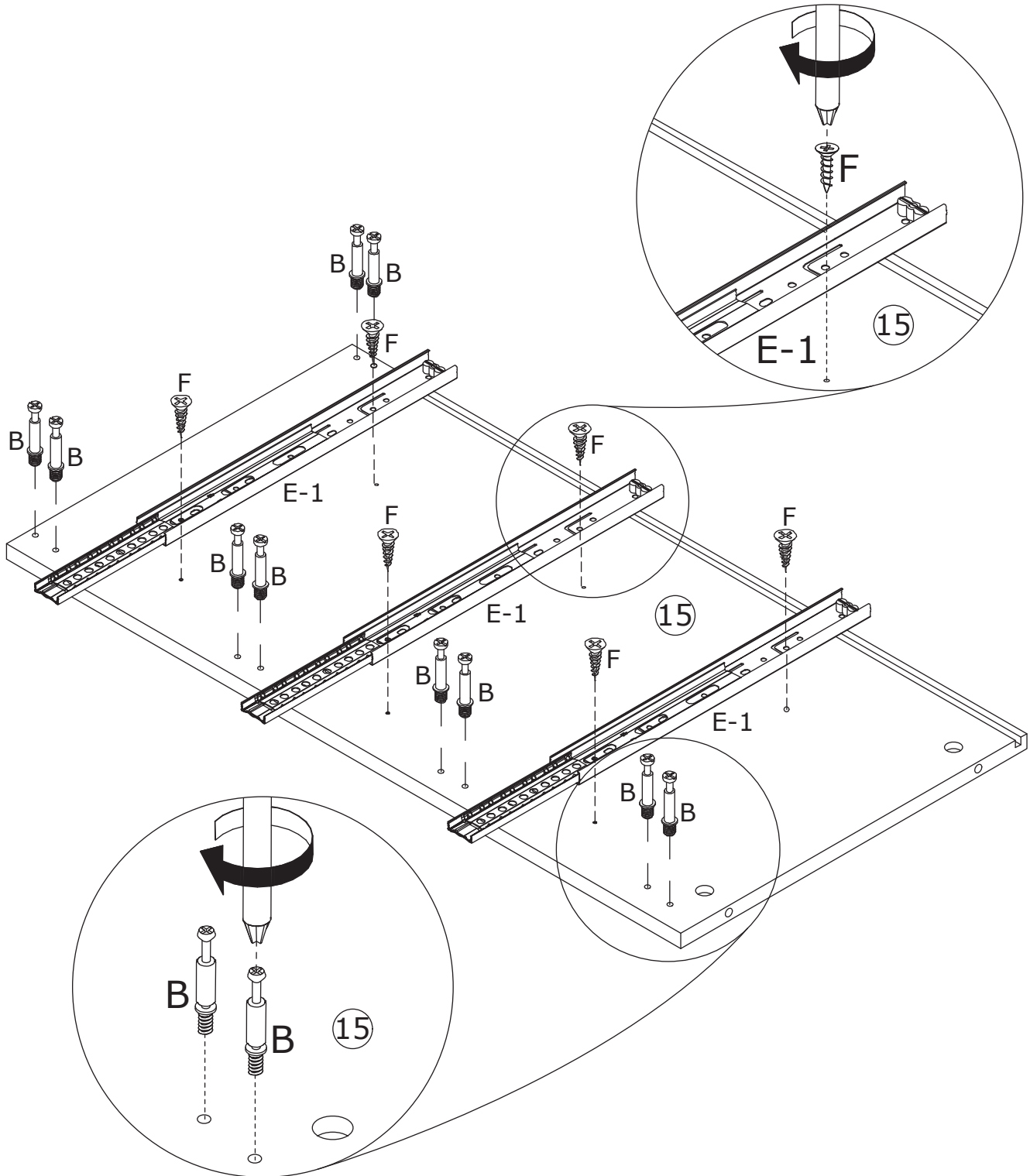
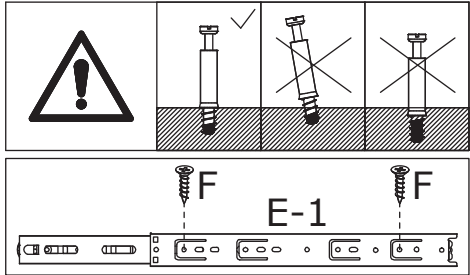
Fix rail E(CL) with screw(F) to panel 14.
Screw eccentric rod(B) into panel 14.



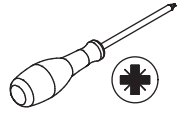
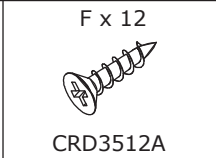
17



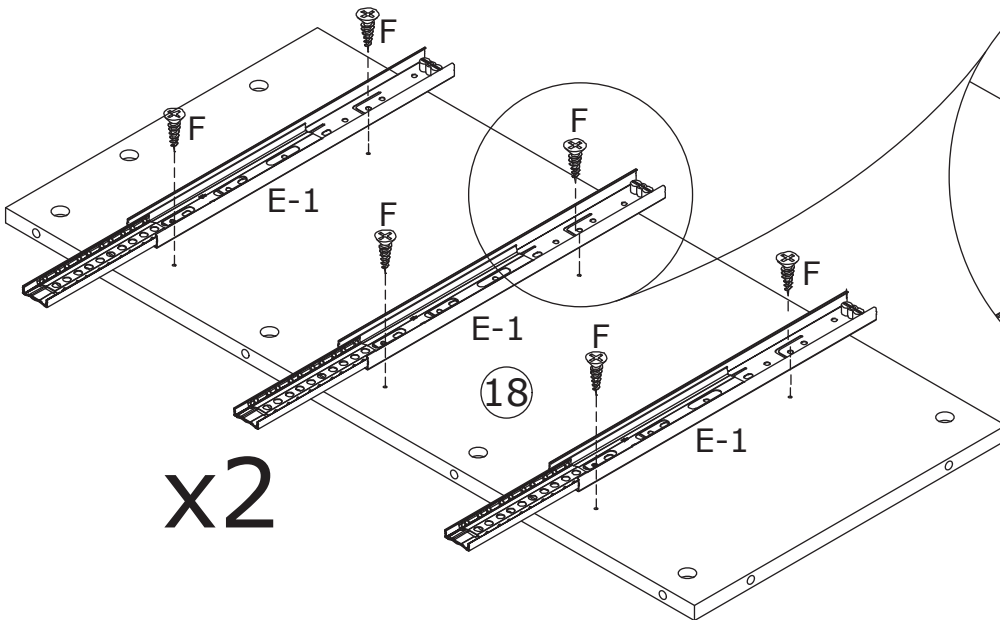
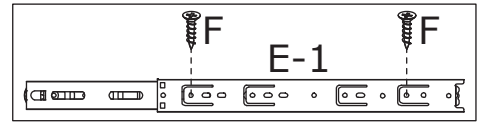
Fix rail E(CR) with screw(F)to panel 15.
Screw eccentric rod(B) into panel 15.



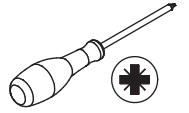
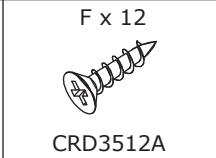
18



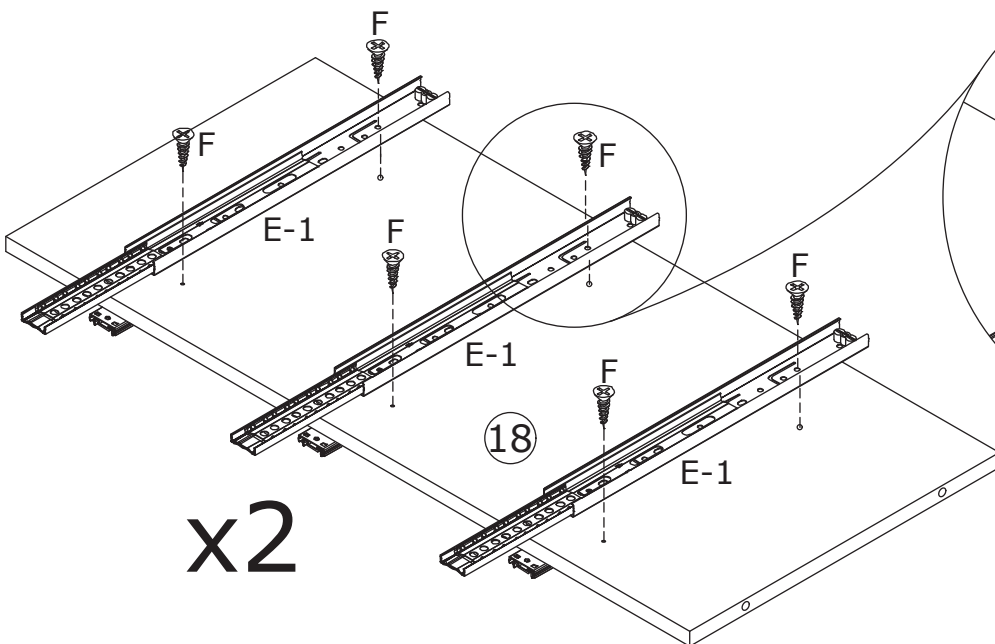
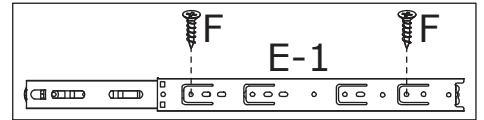
Fix rail E(CR) with screw(F) to panel 18.



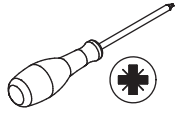
19



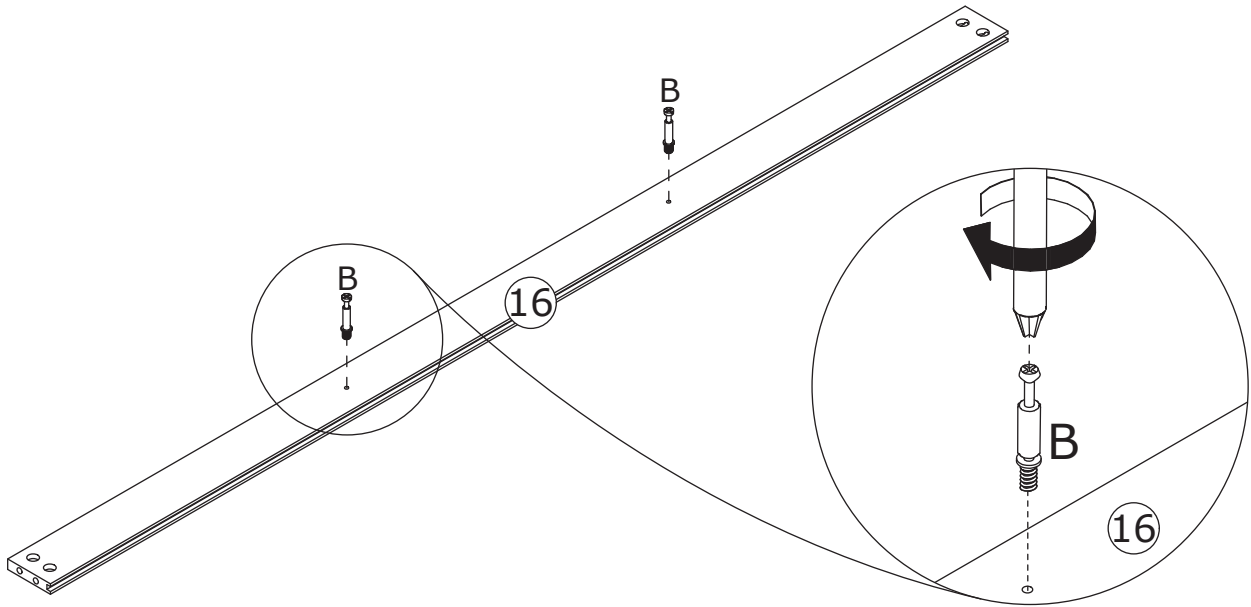
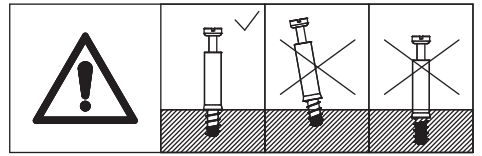
Fix rail E(CL) with screw(F) to panel 18.



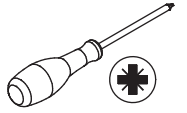
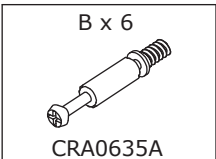
20



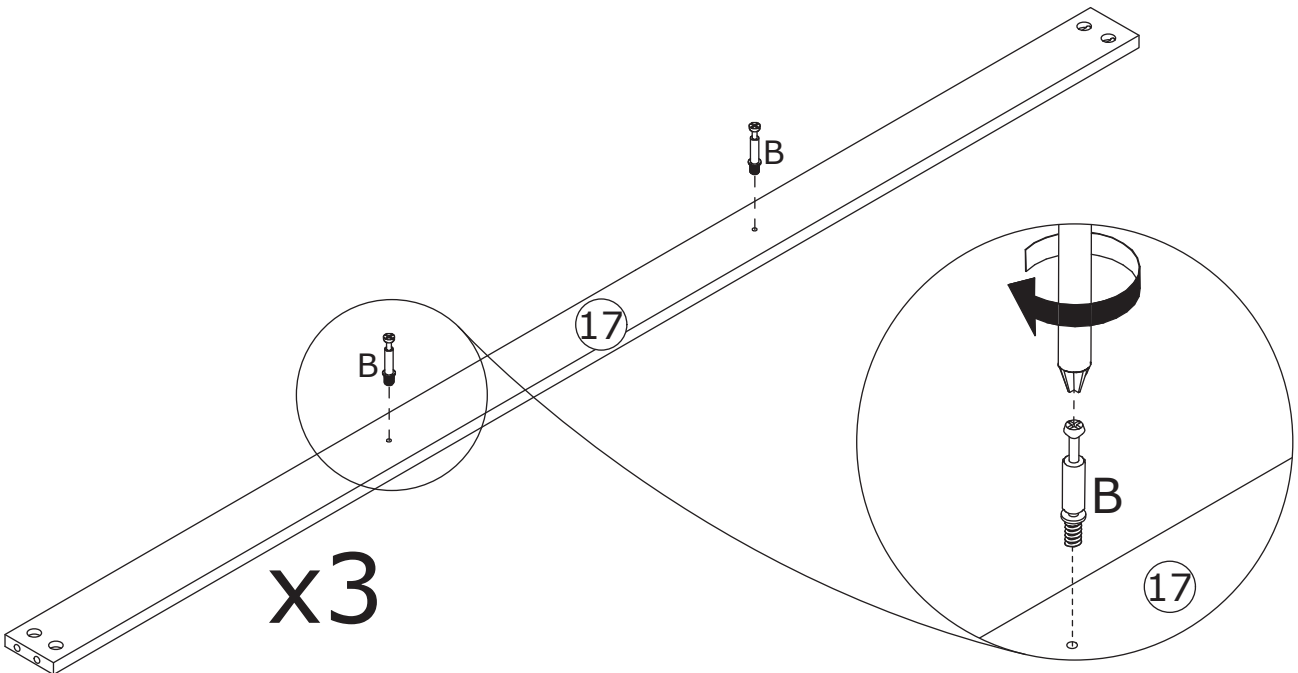
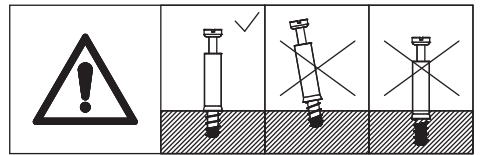
Screw eccentric rod(B) into panel 16.



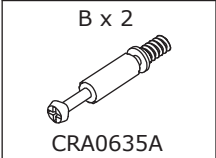
21



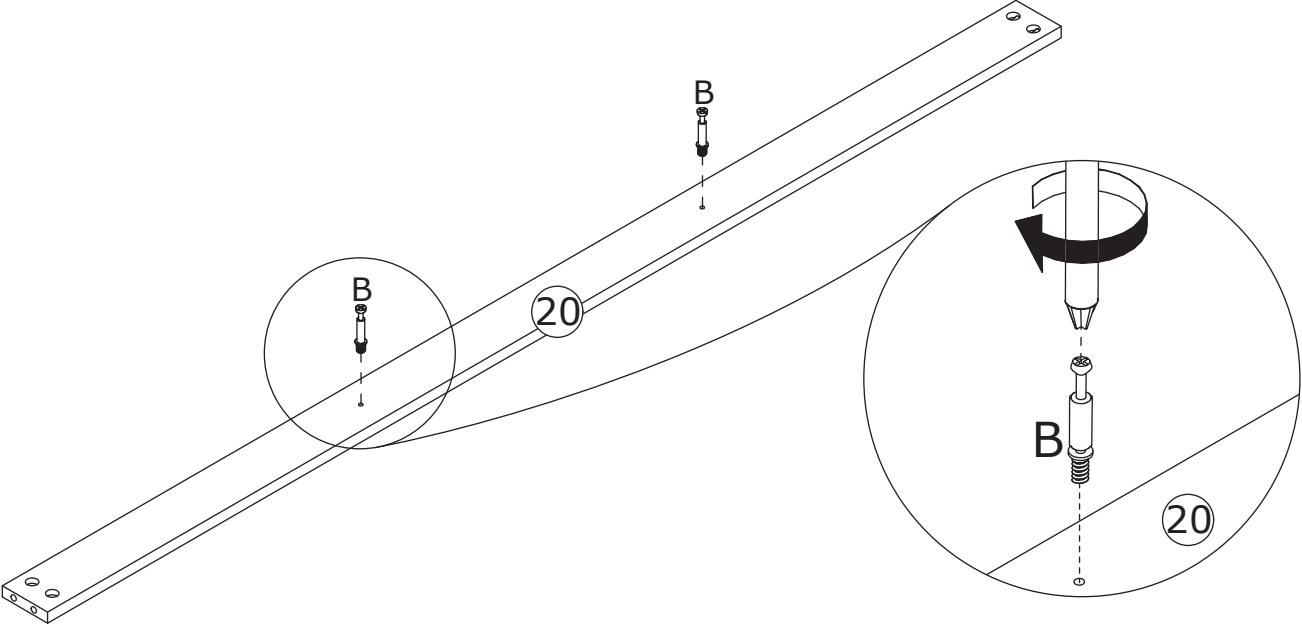
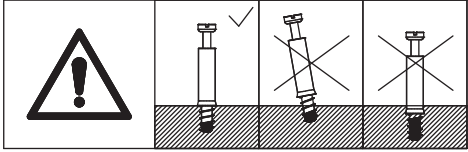
Screw eccentric rod(B) into panel 17.



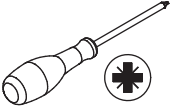
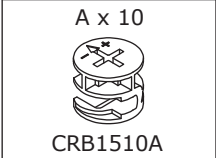
22



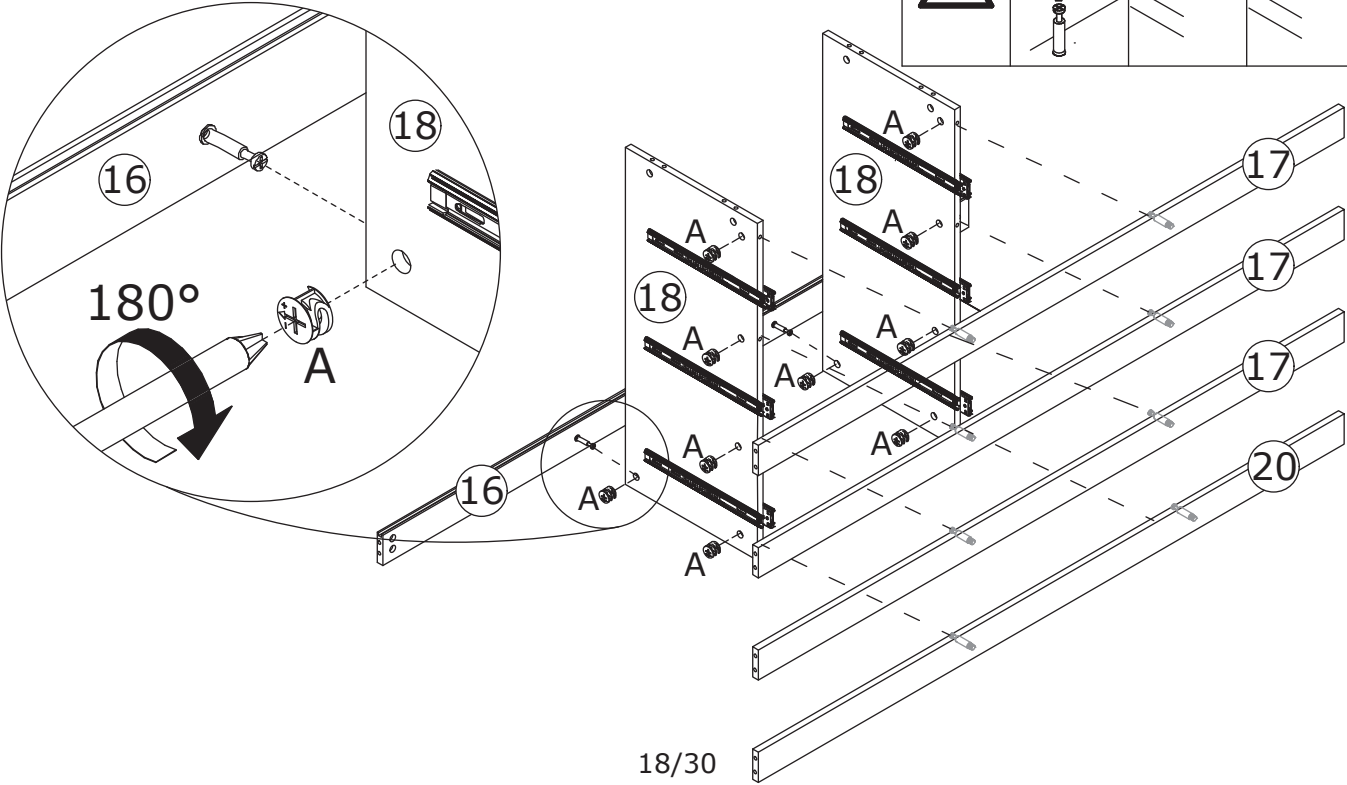
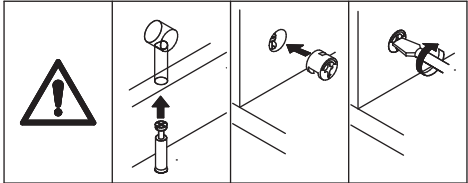
Screw eccentric rod(B) into panel 20.



23

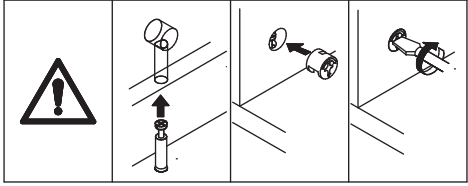
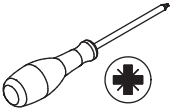


Connect panel 16,17,20 to 18,add cam lock(A) into panel 18 then turn clockwise to tighten.

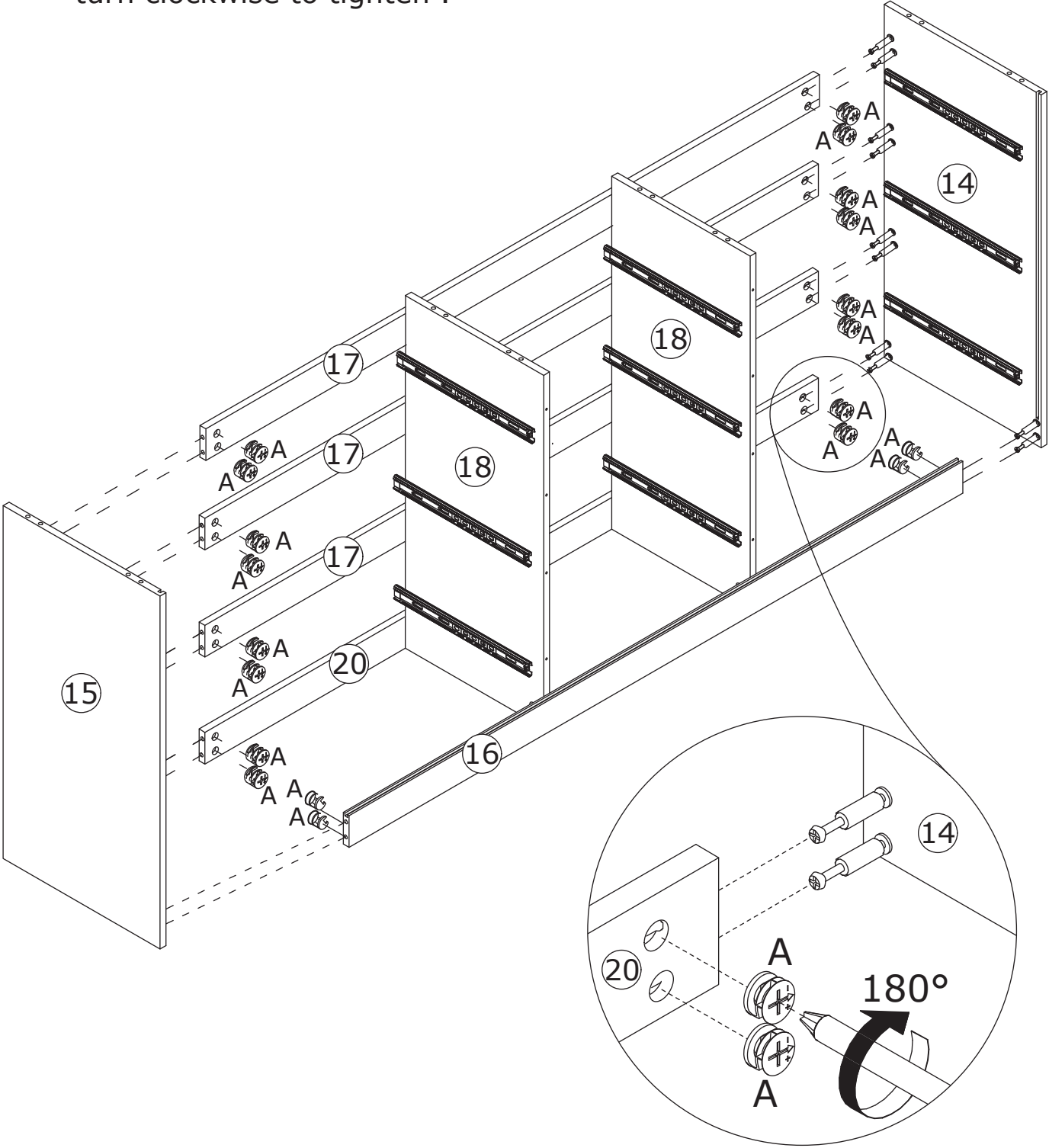


24

A x 20
CRB1510A

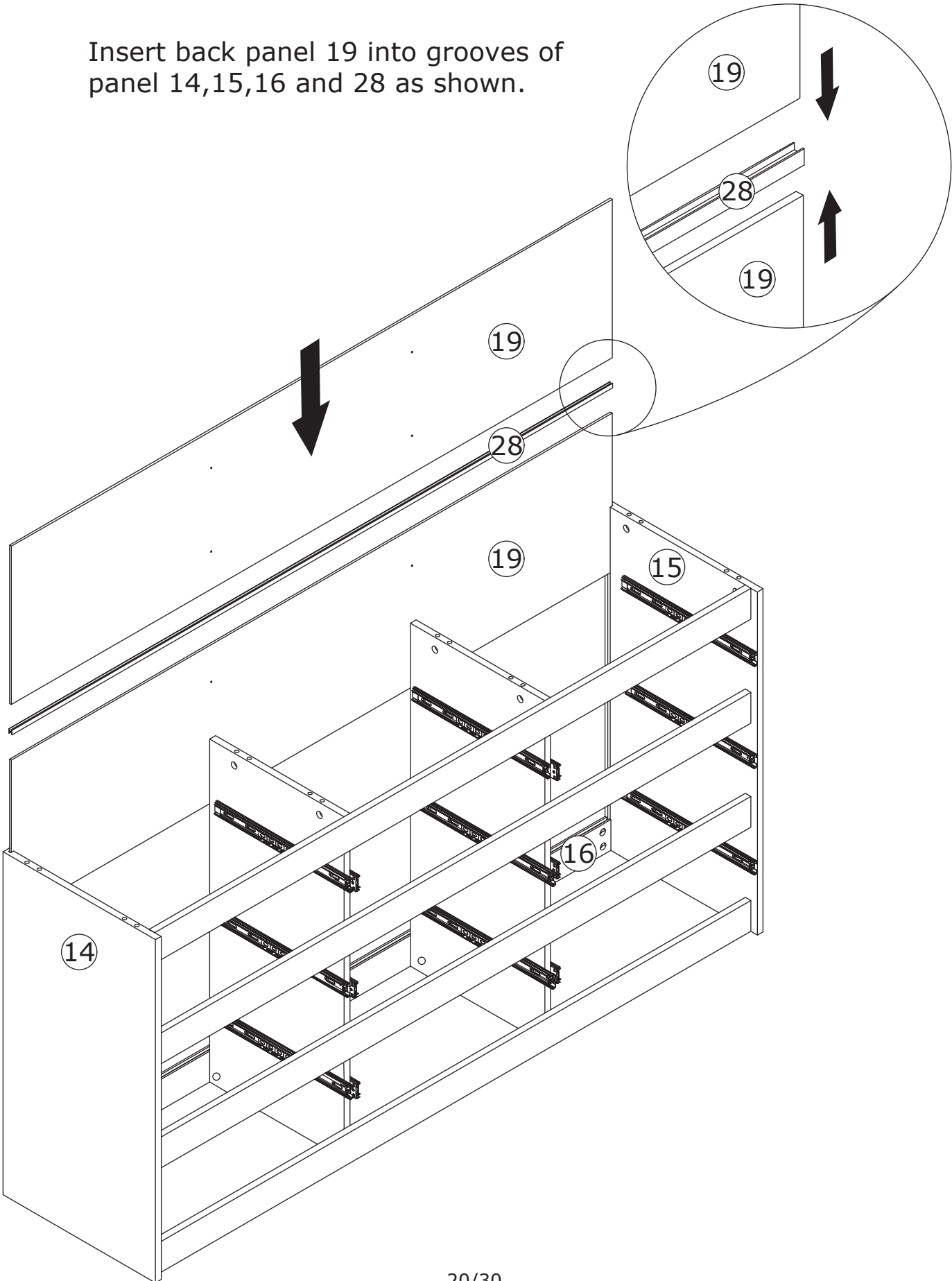


Connect panel 14,15 to 16,17,20, add cam lock(A) into panel 16,17,20 then turn clockwise to tighten .

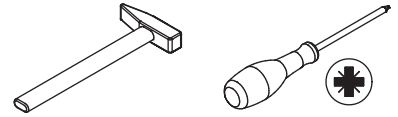
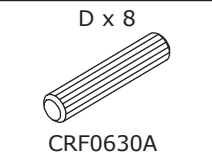


25

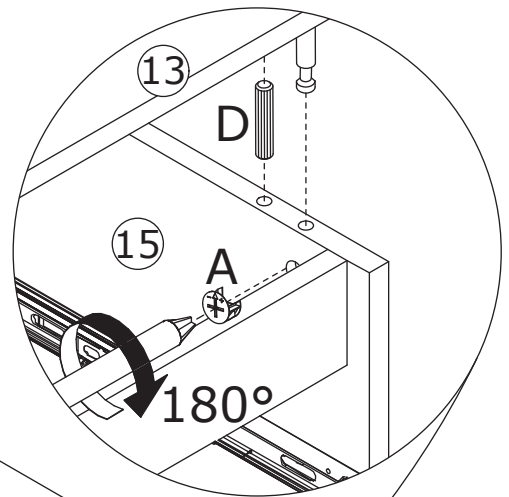
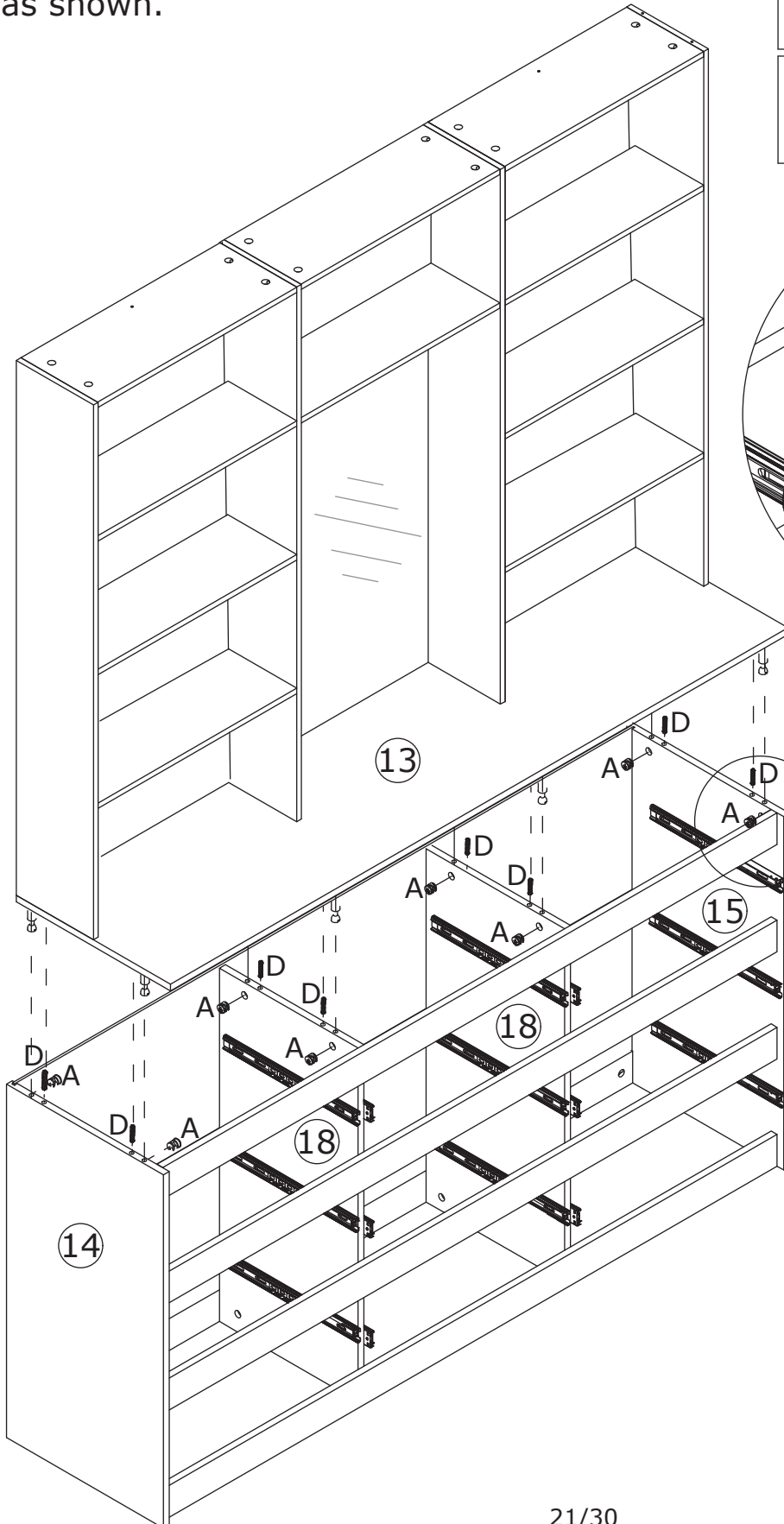
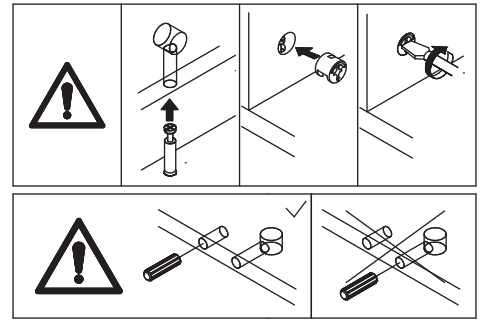
Insert back panel 19 into grooves of panel 14,15,16 and 28 as shown.



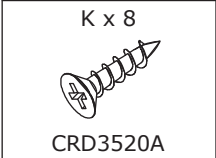
26



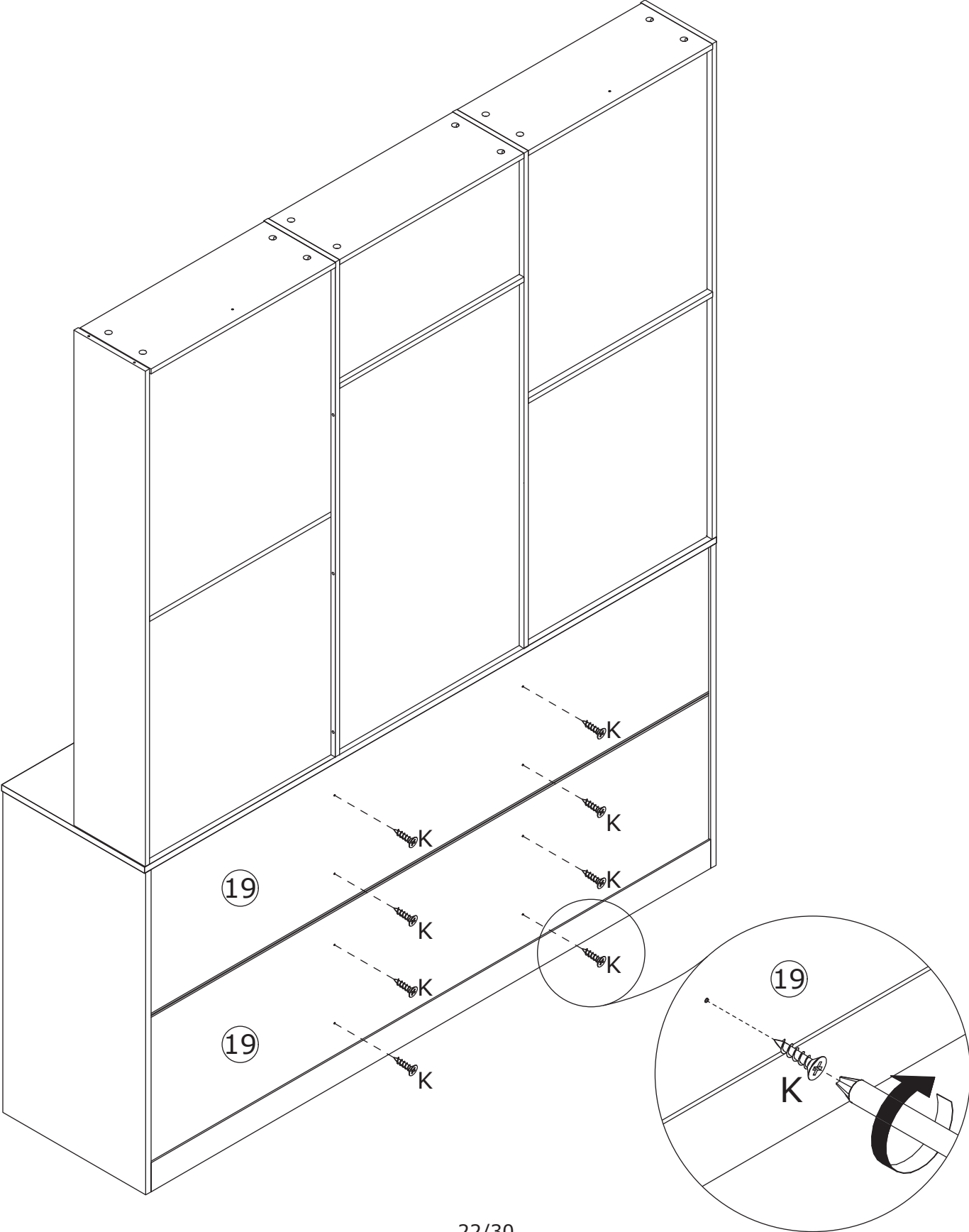
Attach panel 13 to panel 14,15,18 using wooden dowel(D), and fix with screw(A) as shown.



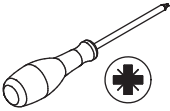
27



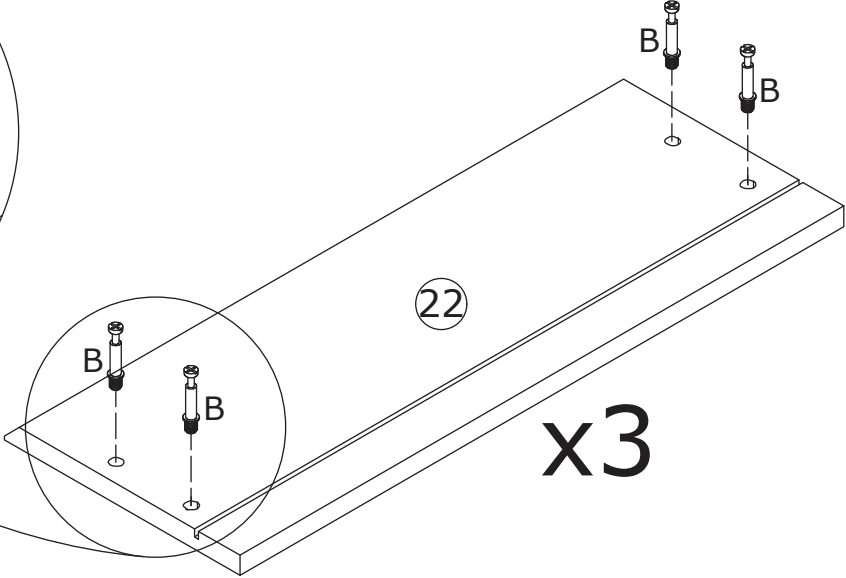
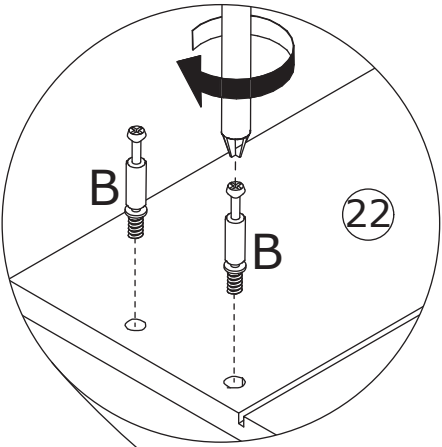
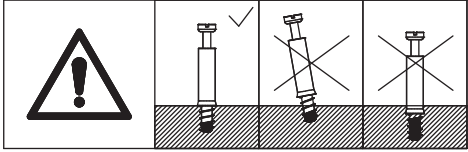
Screw eccentric rod(K) into panel 19.



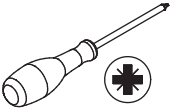
28



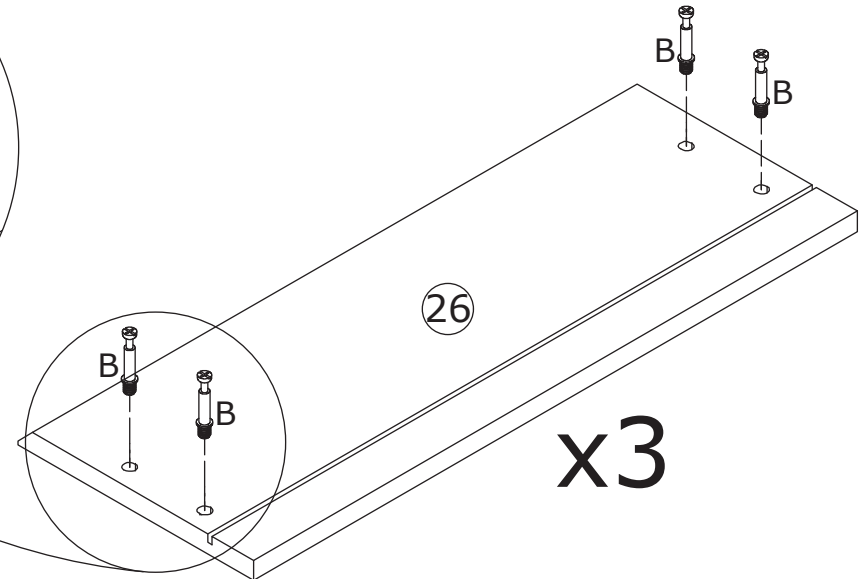
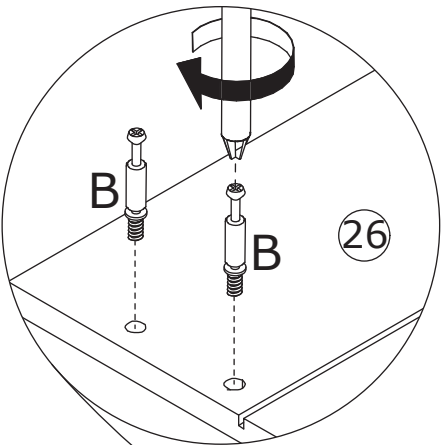
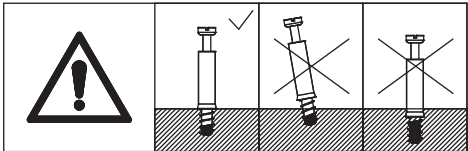
Screw eccentric rod(B) into panel 22.



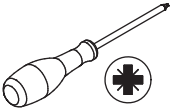
29



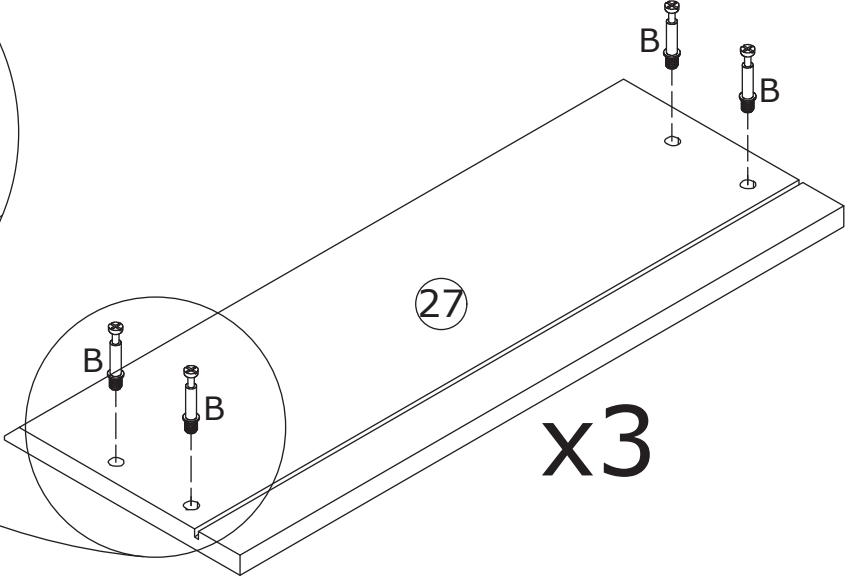
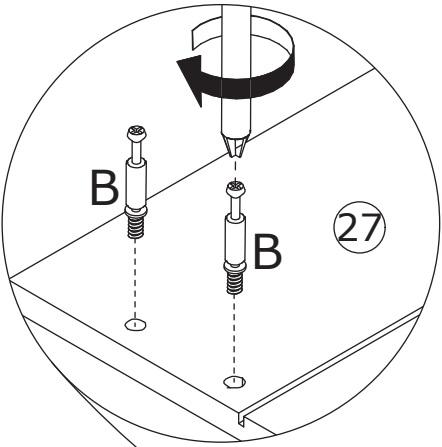
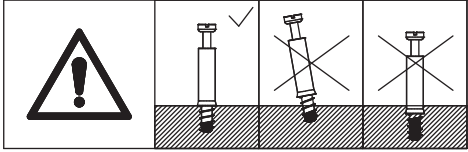
Screw eccentric rod(B) into panel 26.



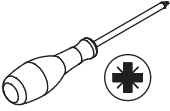
30



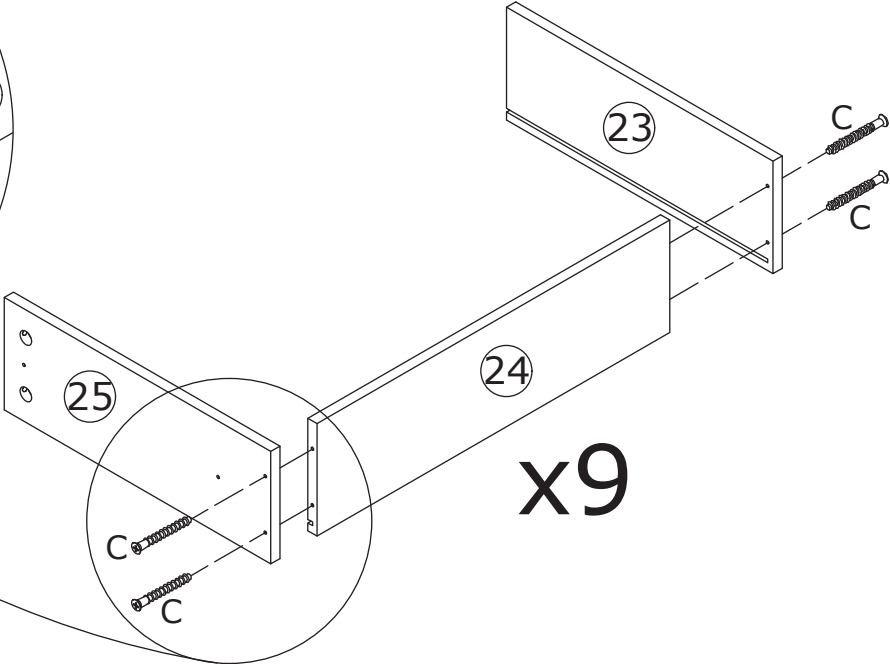
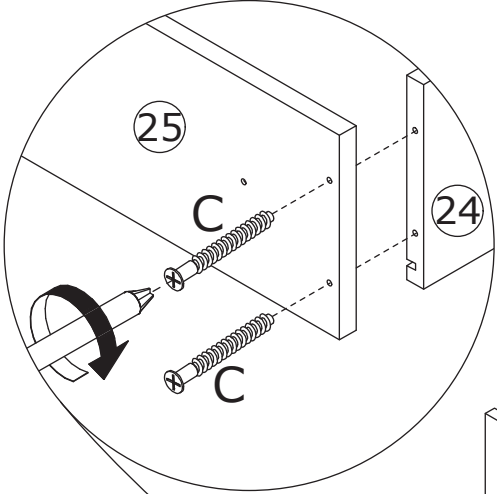
Screw eccentric rod(B) into panel 27 .



31

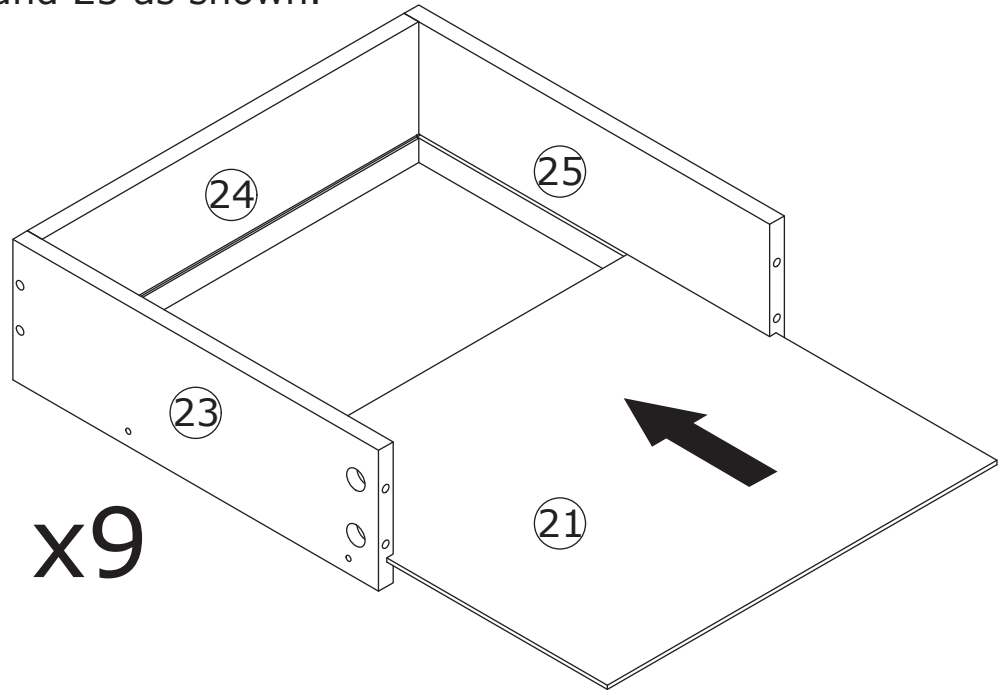


Attach board 23 and 25 to board 24 with quickfit screw(C) as shown.



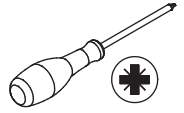
32

Insert back panel 21 into grooves of panel 23,24 and 25 as shown.

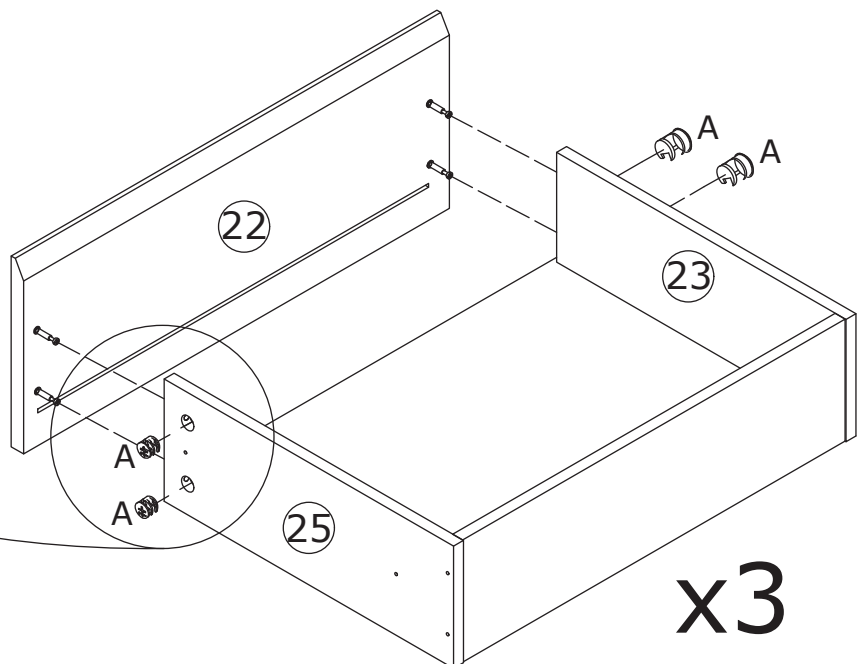
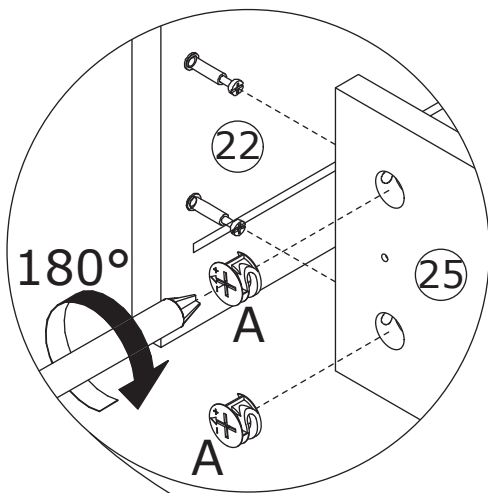
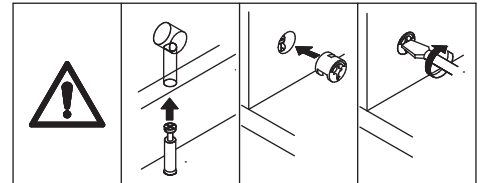


33

A x 12
CRB1510A



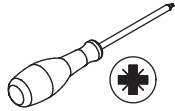
Attach part 22 to part 25 and 23 using screw(A) as shown.



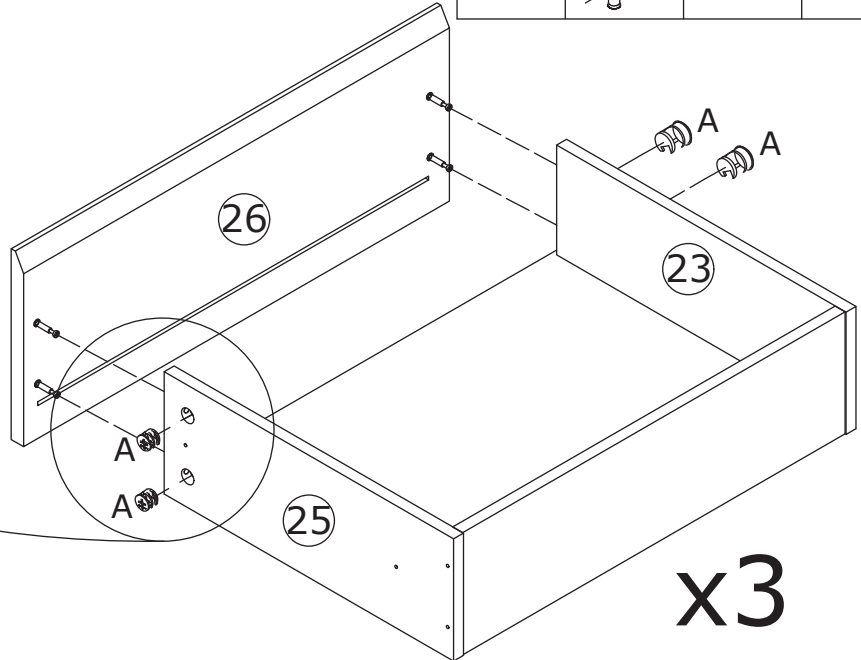
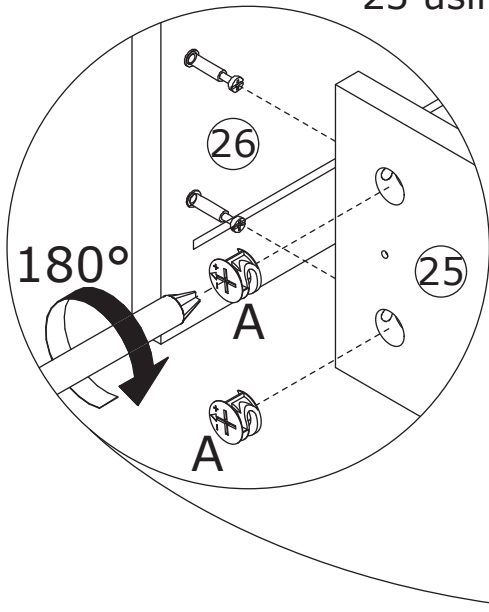
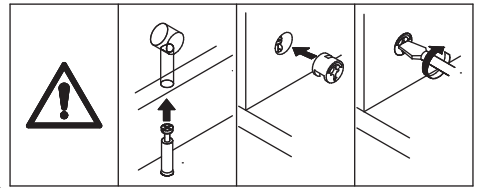
34

A x 12

CRB1510A



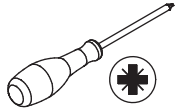
Attach part 26 to part 25 and 23 using screw(A) as shown.



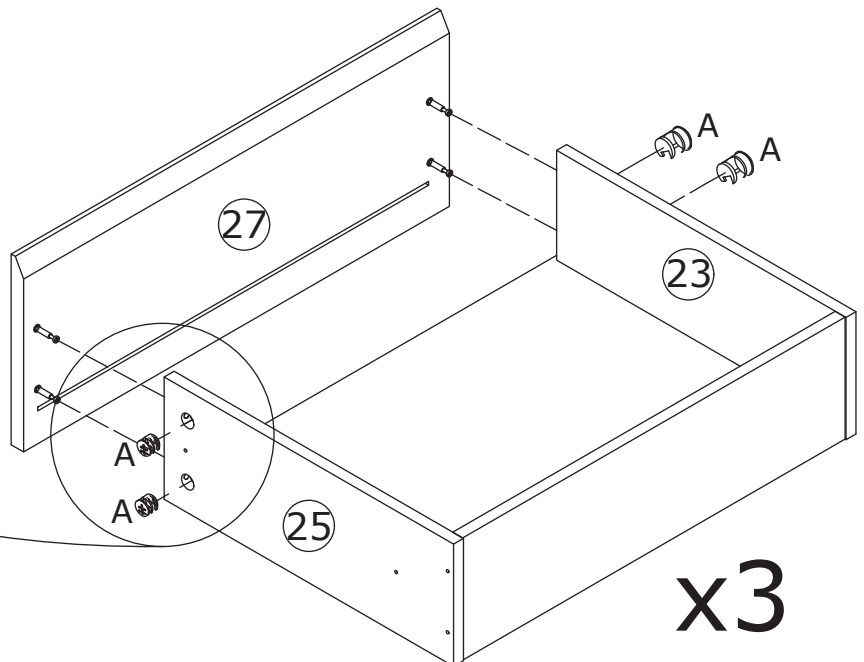
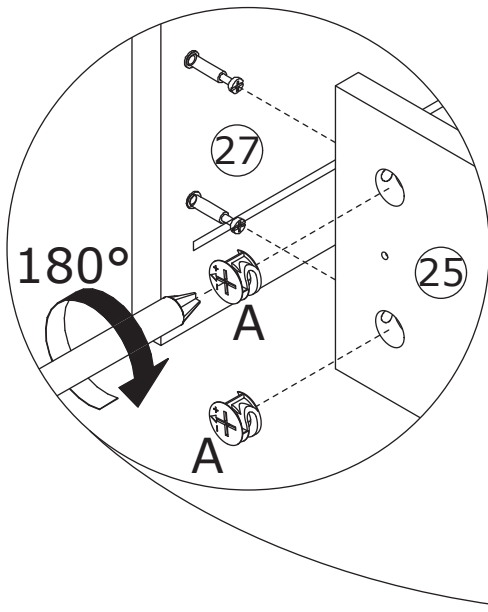
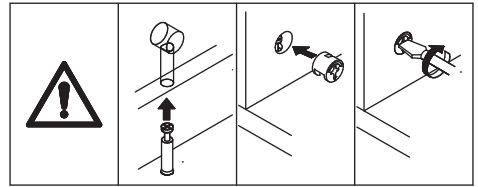
35

A x 12

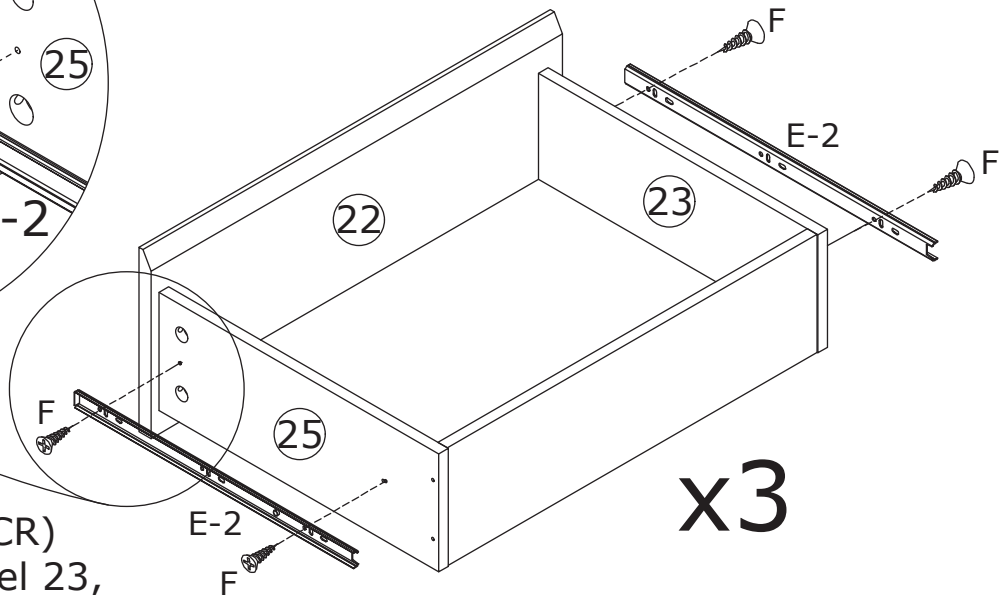
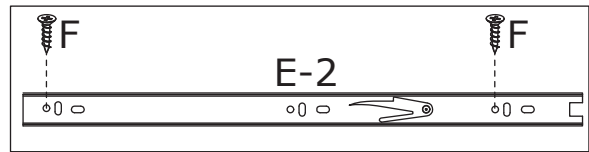
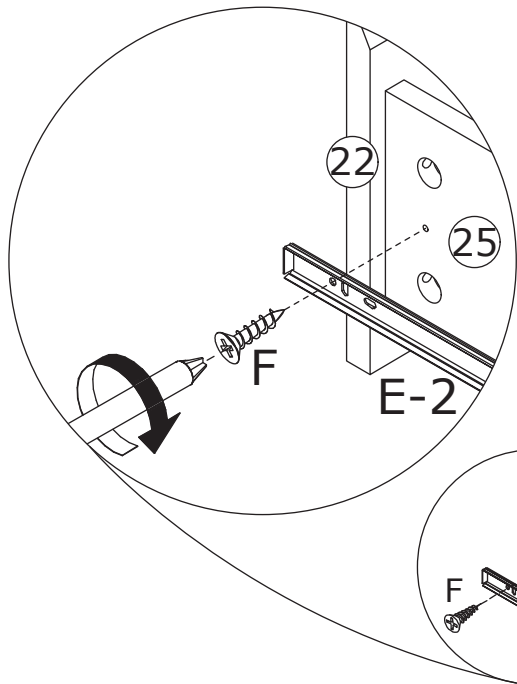
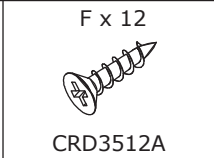
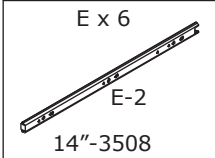
CRB1510A



Attach part 27 to part 25 and 23 using screw(A) as shown.

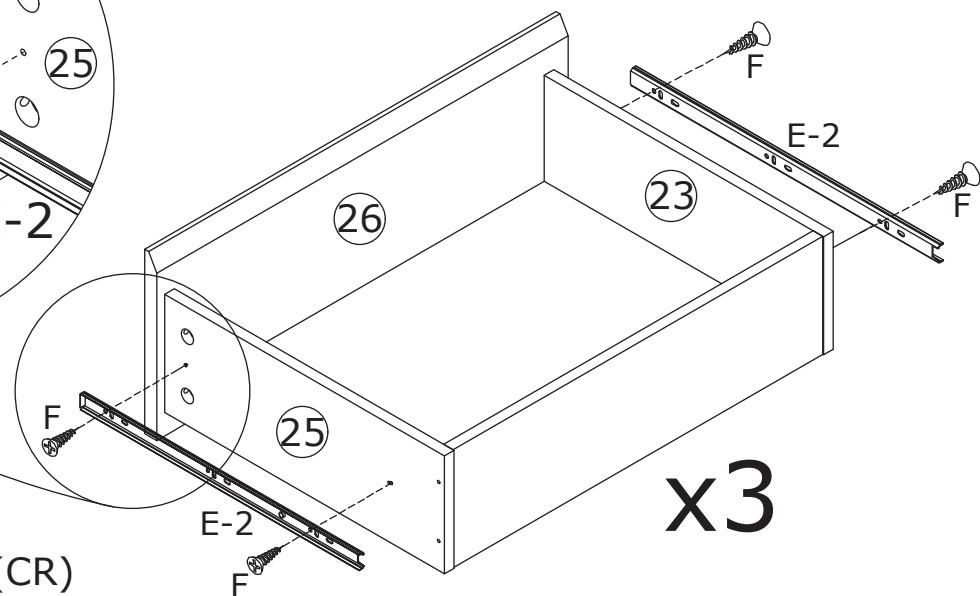
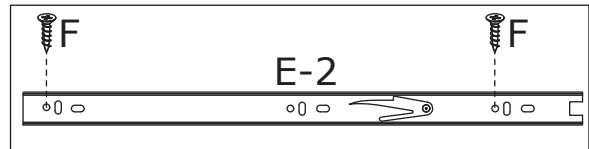
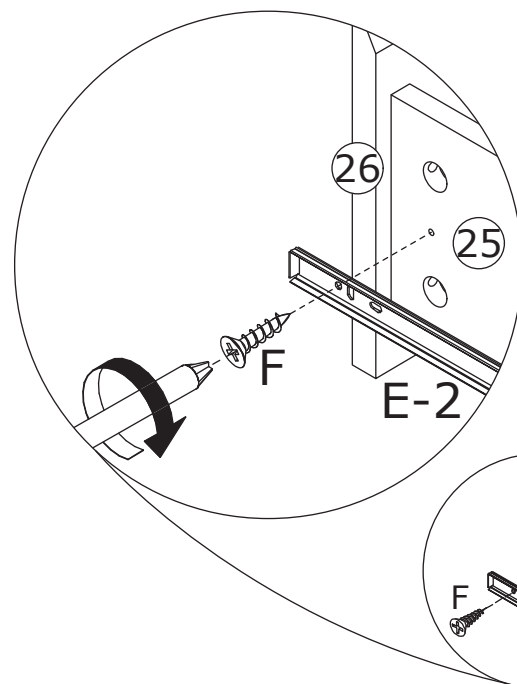
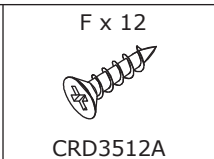
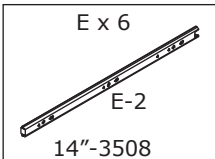


36



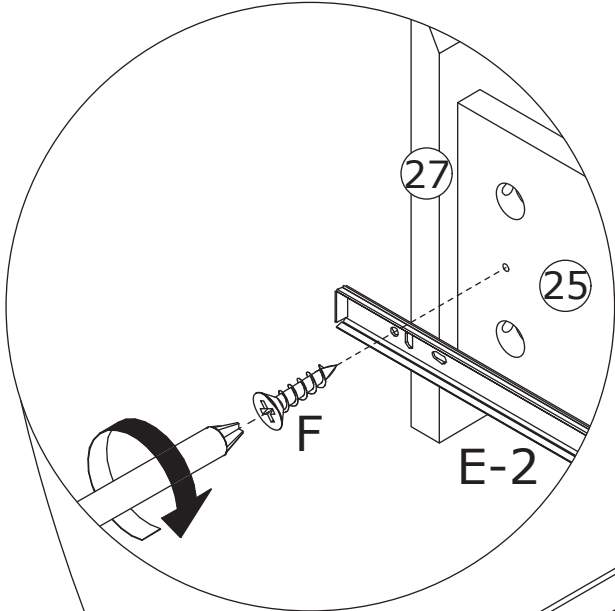
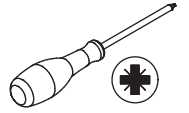
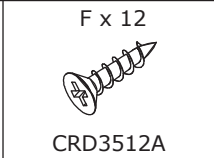
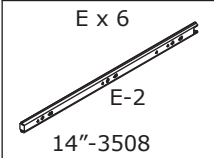
Fix rail E(CL) and E(CR) with screw(F) to panel 23, 25 as shown.

37

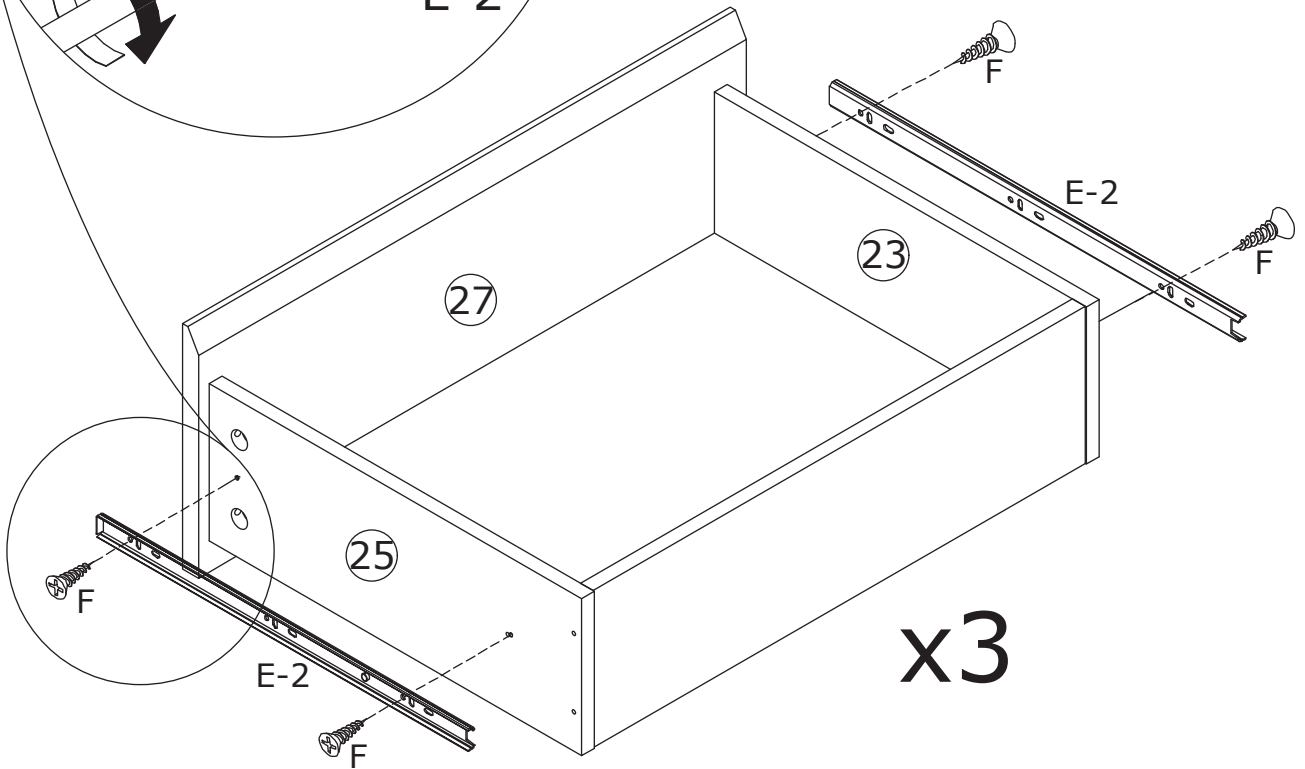


Fix rail E(CL) and E(CR) with screw(F) to panel 23, 25 as shown.

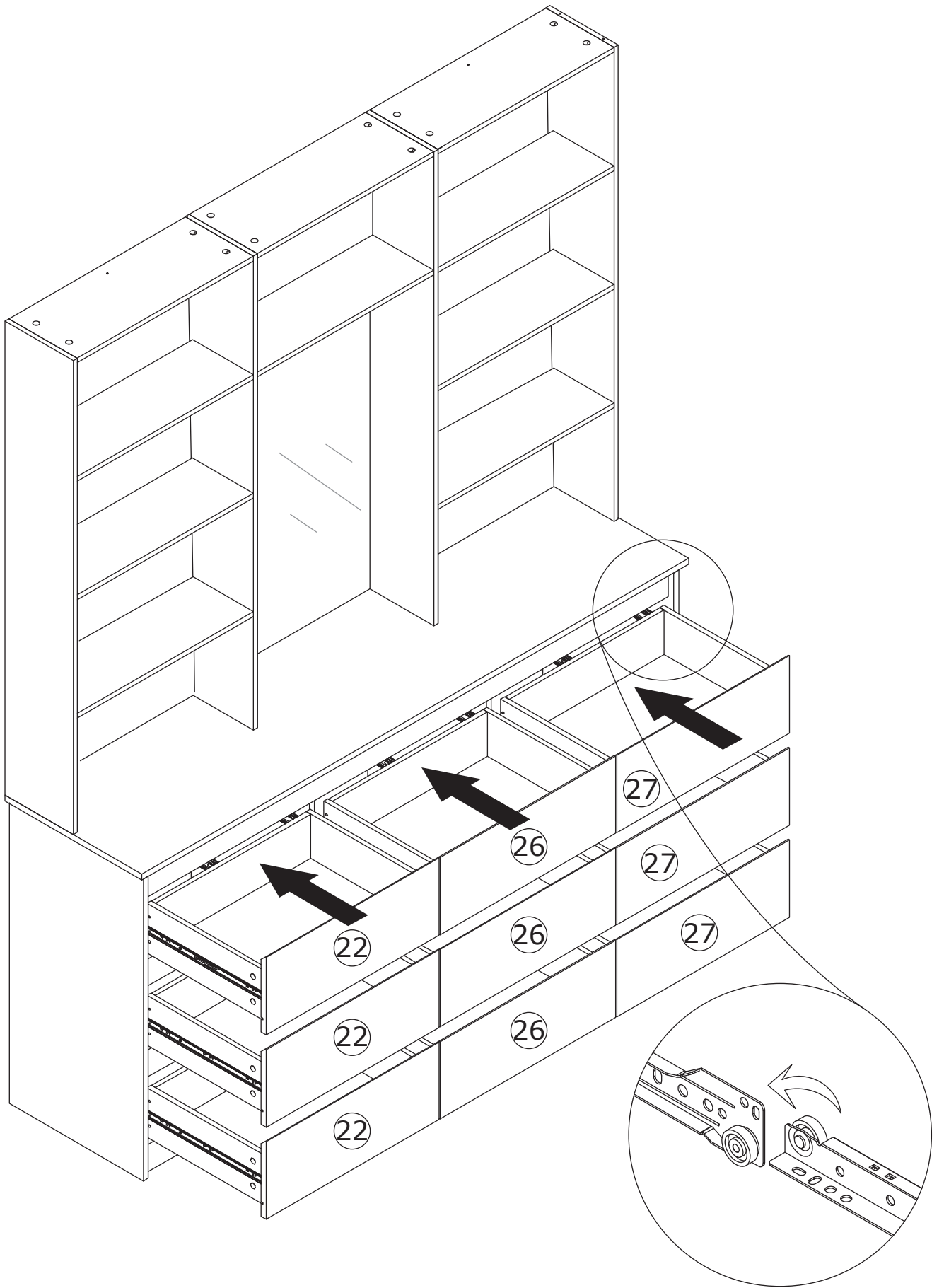
38



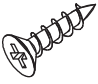
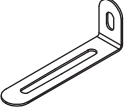
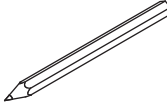
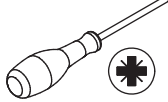
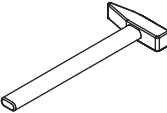

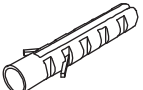
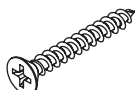
Fix rail E(CL) and E(CR) with screw(F) to panel 23, 25 as shown.



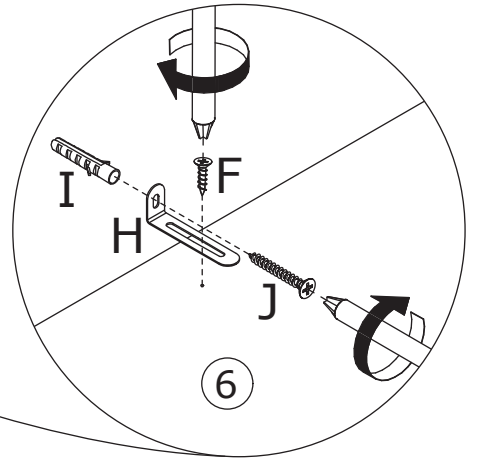
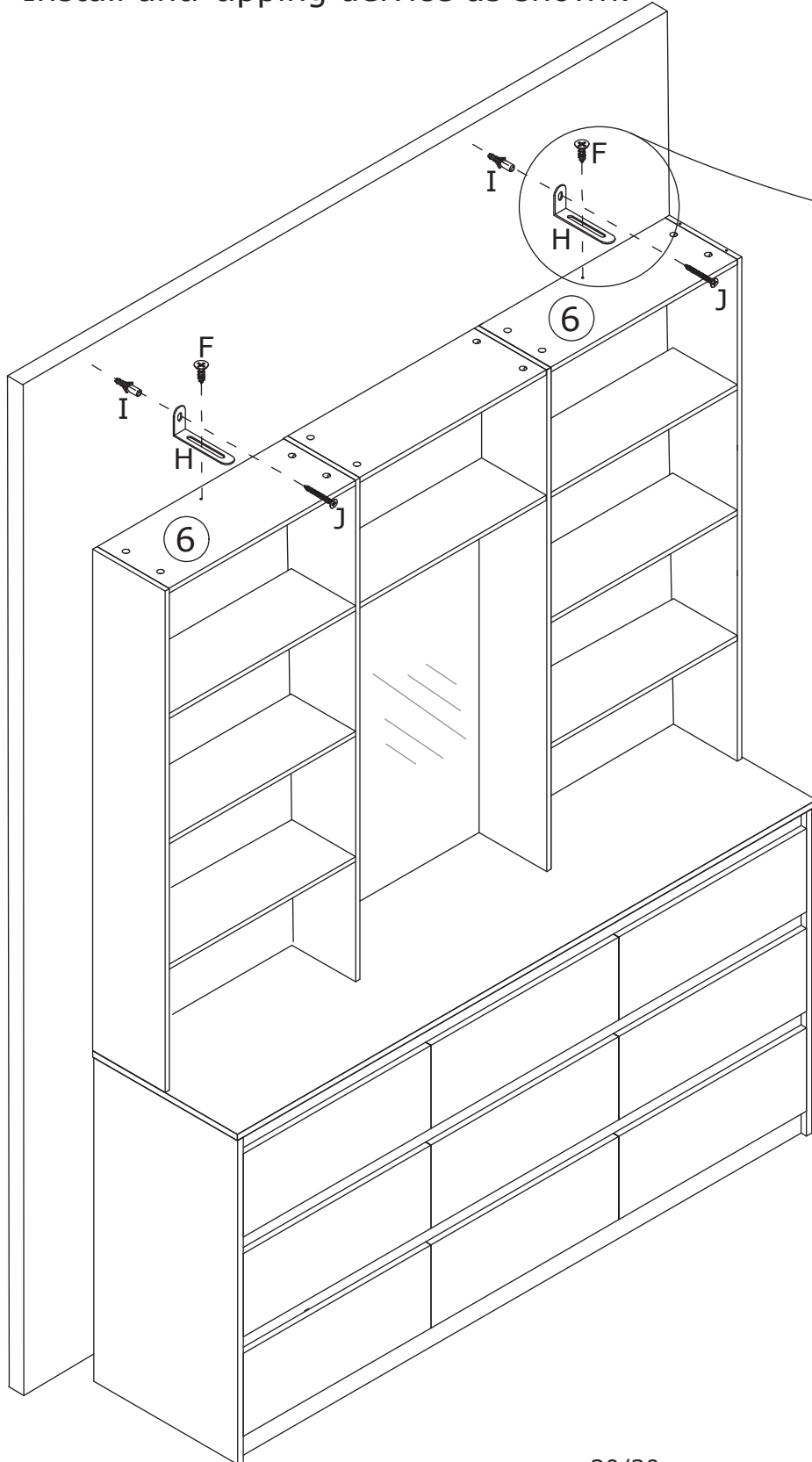
39

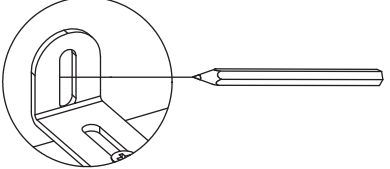
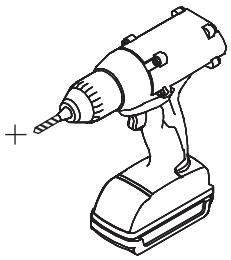
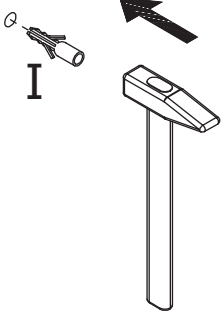
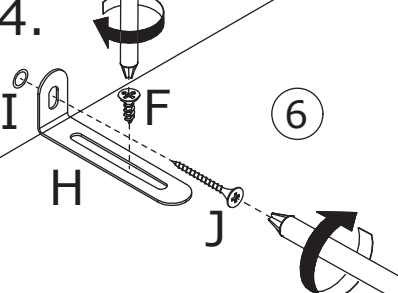


40

<p>F x 2</p>  <p>CRD3512A</p>	<p>H x 2</p> 				
<p>I x 2</p>  <p>Ø8 x 38 mm</p>	<p>J x 2</p>  <p>CRD3535A</p>				

Install anti-tipping device as shown.



- 
- 
- 
- 

WARRANTY

WARRANTY CLAIMS

- There is a 30-day warranty for broken furniture or any other problems that do not work properly. The warranty will start from the date of purchase which must be verified by proof of purchase.
- Before making a claim, we may be able to answer your query, simply call us. Please leave your purchase order number, along with some details of the problem, if you want a replacement part. We will arrange within 48 hours. If there is out of stock, we will reply with a shipping date.
- The product must be used in accordance with the instructions provided. For health reasons.
- For other reasons, if the furniture needs to be returned, it must be cleaned and dried and operated within 30 days of receipt.

Type of Warranty Claim

- Failure to follow the furniture instructions will invalidate the warranty. Attention please.
- Does not include damage during installation, but includes damage during transportation.

Scope of responsibility

- Shall not bear any responsibility for misuse or user damage and / or loss of parts during the installation of furniture.
- After using, the damage and scratches of the furniture are not covered by the warranty.

The Warranty Relates to All Bought in The Us and Covers The Following Areas

- Sheet parts: 1 month from the date of purchase.
- Electrical parts: 1 month from the date of purchase.

RETURNS

CHANGED YOUR MIND AND NEED TO RETURN YOU ITEM?

PLEASE FOLLOW THE BELOW INSTRUCTIONS:

- If you have purchased and have simply changed your mind, follow the retailer's instructions for returns.

DEFECTIVE ITEMS

- If your item is defective in any way, i.e. it doesn't work but you can't identify why, in the first instance, please call us.

DAMAGED ITEMS

- If you receive an order with obvious shipping damage from the retailer, then we suggest the delivery is refused. If the delivery has been accepted and then shipping damage is found, please follow the specific instructions advised by the retailer.
In all circumstances please save all packaging material and paperwork for the order. Please be aware that if you dispose of packaging material or attempt to return the merchandise without contacting the fulfiller, you jeopardise your chances of making a claim, and you may not receive a credit for the return.

AFTER-SALES CONTACT



feedbackstation@163.com



(303)800-6387