

# ASSEMBLY INSTRUCTIONS

## KING BED (4 + 8)

### (Box 1)

BOX OF HEADBOARD & FOOTBOARD

No	ITEM	Qty
A	Headboard	1 pc
B	Footboard	1 pc
C	Headboard Leg (L/R)	2 pcs
D	Bed Slat	4 pcs
E	Bed Slat Support	8 pcs

### (Box 2)

BOX OF SIDE RAIL

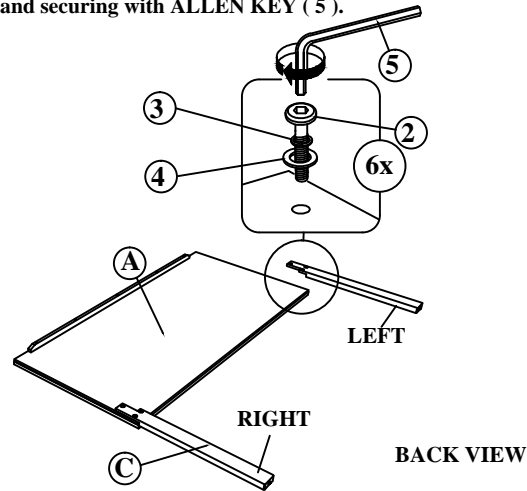
No	ITEM	Qty
F	Side Rail	2 pcs

### (Box 1)

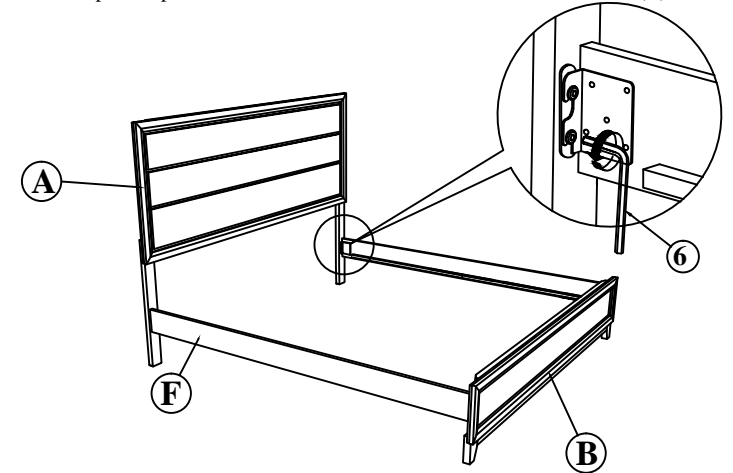
HARDWARE LIST

No	ITEM	Qty
1	Csk M4 x 32mm	8 pcs
2	JCBC M6 x 30mm	6 pcs
3	SPRING WASHER 1/4" Rbw	6 pcs
4	Flat Washer 1/4"ID x 13mmOD Blk	6 pcs
5	ALLEN KEY m4x65mm Blk	1 pc
6	ALLEN KEY m5x65mm Blk	1 pc

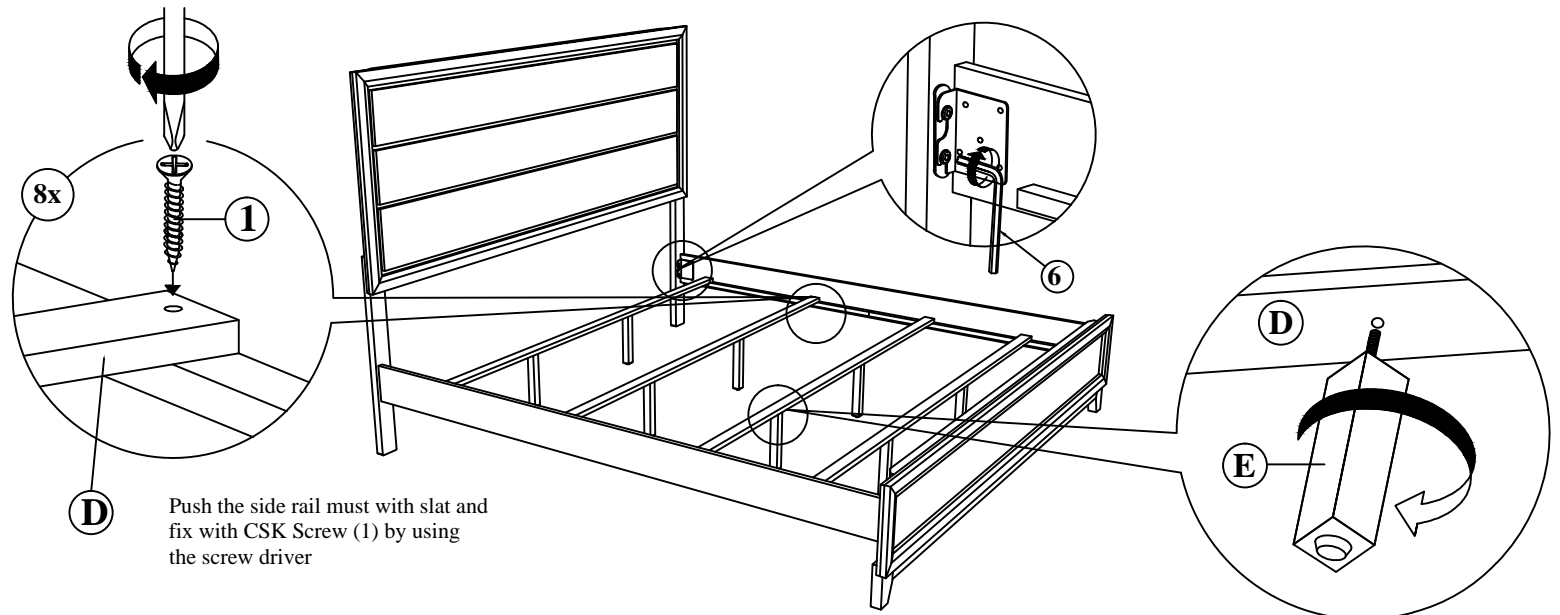
**STEP 1 :** Attach Head Board Leg ( C ) to Head Board ( A ) as shown using JCBC BOLT ( 2 )with Spring Washer (3), Flat washer (4) and securing with ALLEN KEY ( 5 ).



**STEP 2 :** Hook SIDE RAIL ( F ) TO HEAD BOARD ( A ) closely and push down to fit. repeat step 2 with other end of rail to hook onto FOOTBOARD ( B ).



**STEP 3 :** Tighten the 4 Corner with Allen Key (6). Fix the Bed Slat Support Leg ( E ) to Bed Slat ( D ) . Install the bed slat ( D ) to side rail ( F ) and tighten with Csk Screw ( 1 ) as per diagram shown. (NOTE: THE SETUP MUST DONE AT THE DECIDED LOCATION FOR THE BED TO OBTAIN PERFECT STABILITY)



NOTE : MUST TIGHTEN SCREWS PERIODCALLY WITH USE SCREW WILL BECOME LOOSE CHECK TIGHTNESS OF ALL SCREW EVERY 6-8 WEEKS.