

ASSEMBLY INSTRUCTIONS



Fine Furniture for every stage of life

Dining Table

REVISION 0: 08/31/2020
REVISION 1: 08/07/2024
REVISION 2 : 10/23/2025

ASSEMBLY INSTRUCTIONS

ASSEMBLY TIPS:

1. Remove hardware from box and sort by size.
2. Please check to see that all hardware and parts are present prior to start of assembly.
3. Please follow attached instructions in the same sequence as numbered to assure fast & easy assembly.



WARNING!

1. Don't attempt to repair or modify parts that are broken or defective. Please contact the store immediately.
2. This product is for home use only and not intended for commercial establishments.

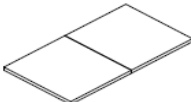
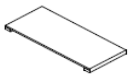




ASSEMBLY TIME

15 MINUTES

PARTS IDENTIFICATION

B1 (BOX 1)





AN	TOP		1PC
BN	LEAF		1PC
CN	LOWER CROSSBAR		1PC
DN	UPPER CROSSBAR		1PC

B2 (BOX 2)

EN	LEG FRAME		2PCS
----	-----------	---	------

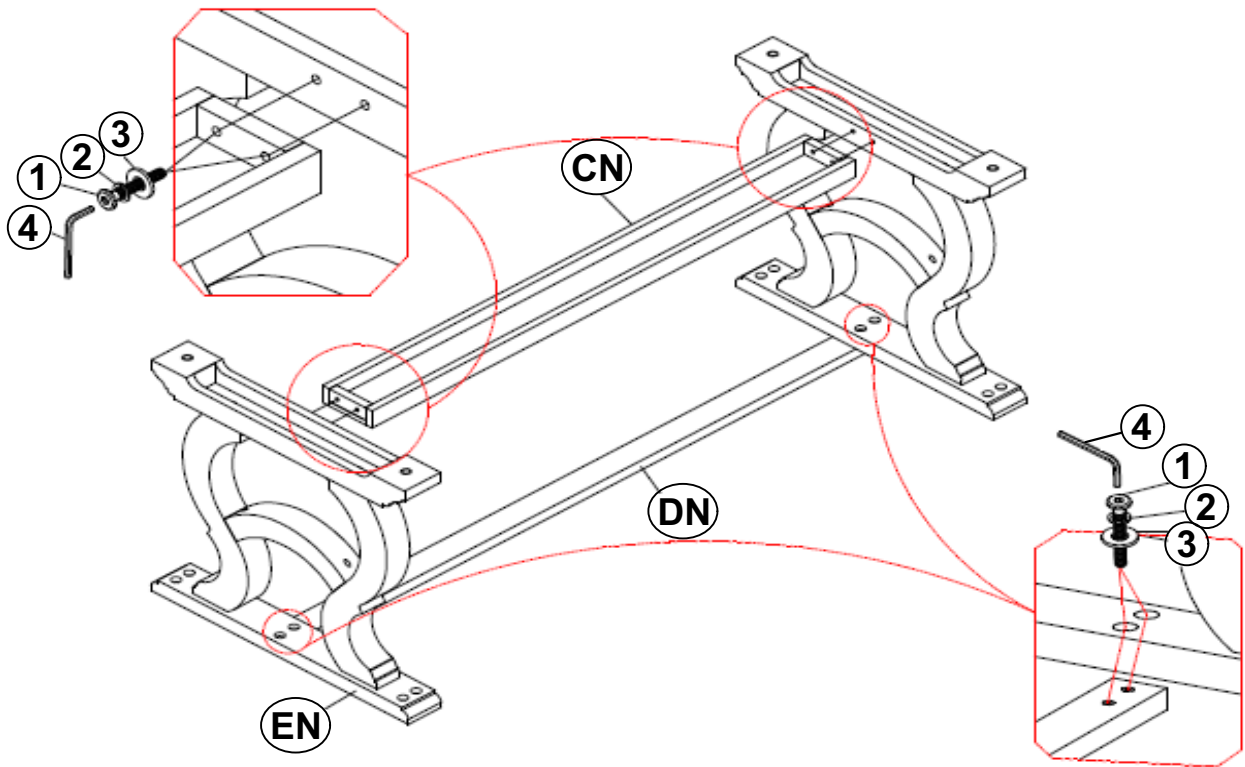
HARDWARE IDENTIFICATION

BOX 1 - HARDWARE PACK

1	BOLT (Ø5/16 x 13 x 45mm - RBW)		16PCS
2	LOCK WASHER (Ø5/16 x 10 x 1.1mm - RBW)		16PCS
3	FLAT WASHER (Ø5/16 x 22 x 2mm - RBW)		16PCS
4	ALLEN WRENCH (4 x 60mm - RBW)		1PC

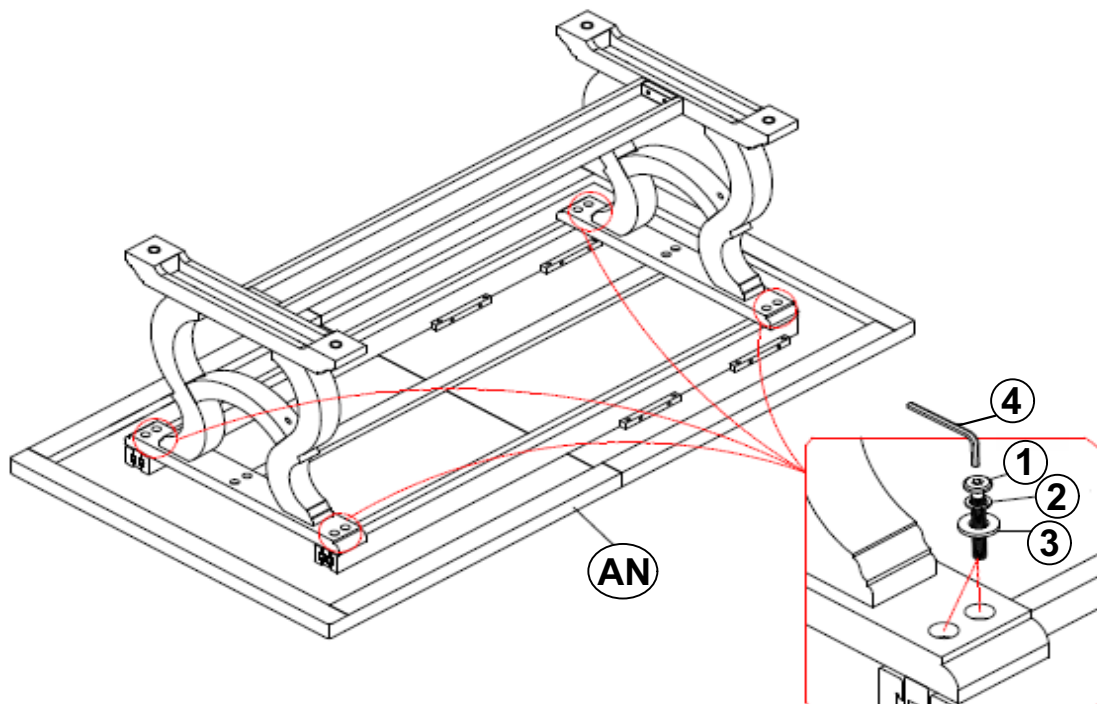
ASSEMBLY INSTRUCTIONS

STEP 1



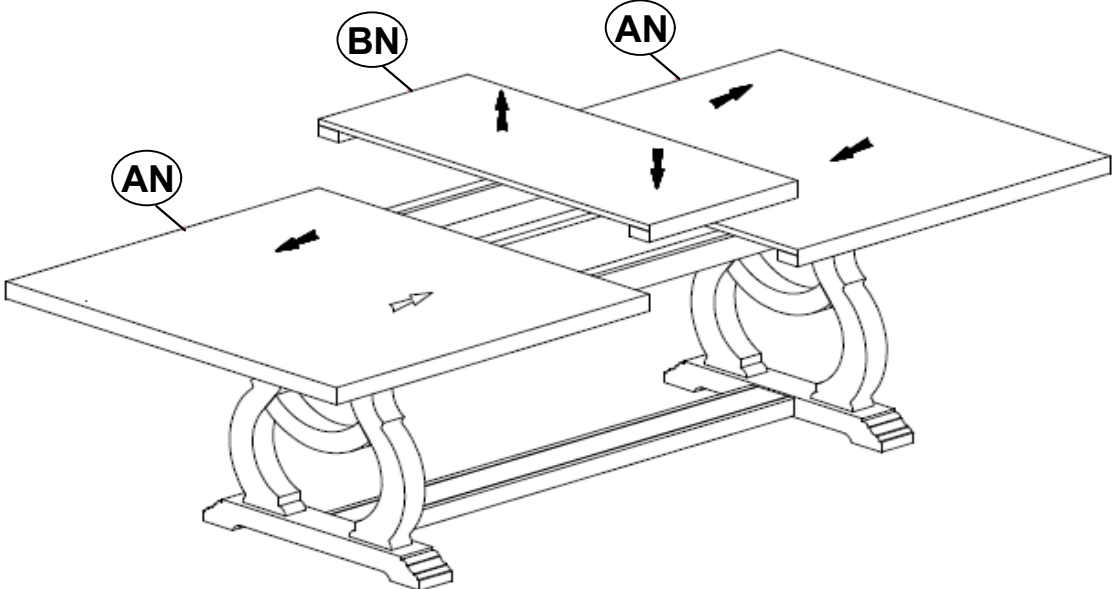
BOTTOM VIEW

STEP 2

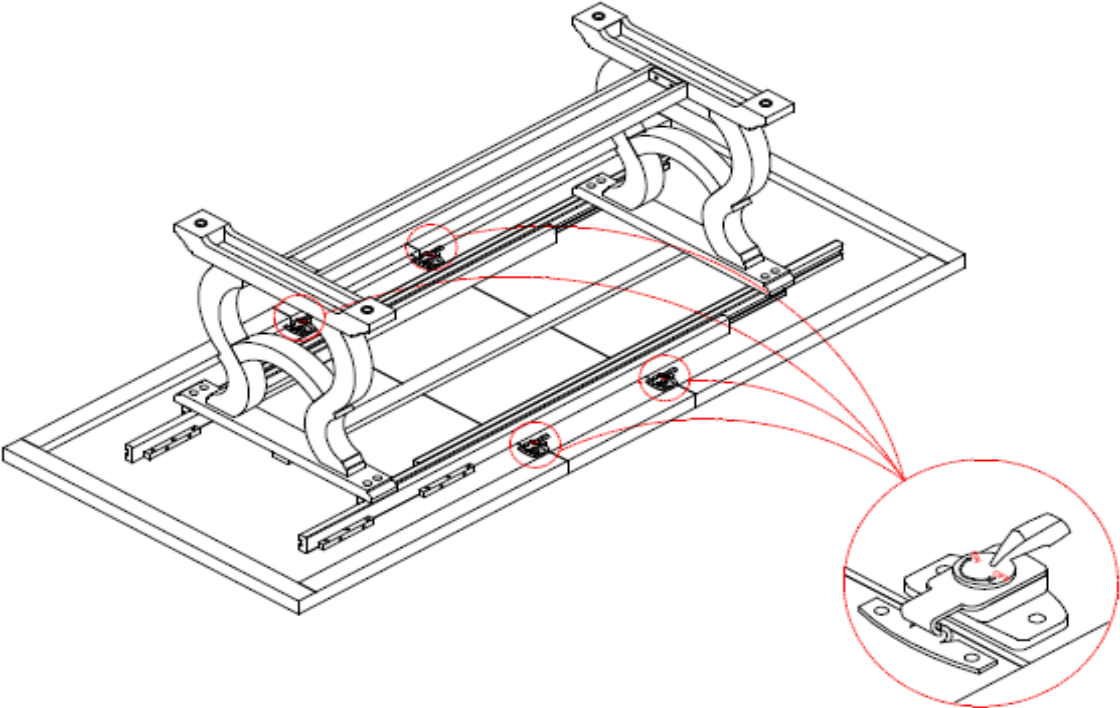


ASSEMBLY INSTRUCTIONS

STEP 3

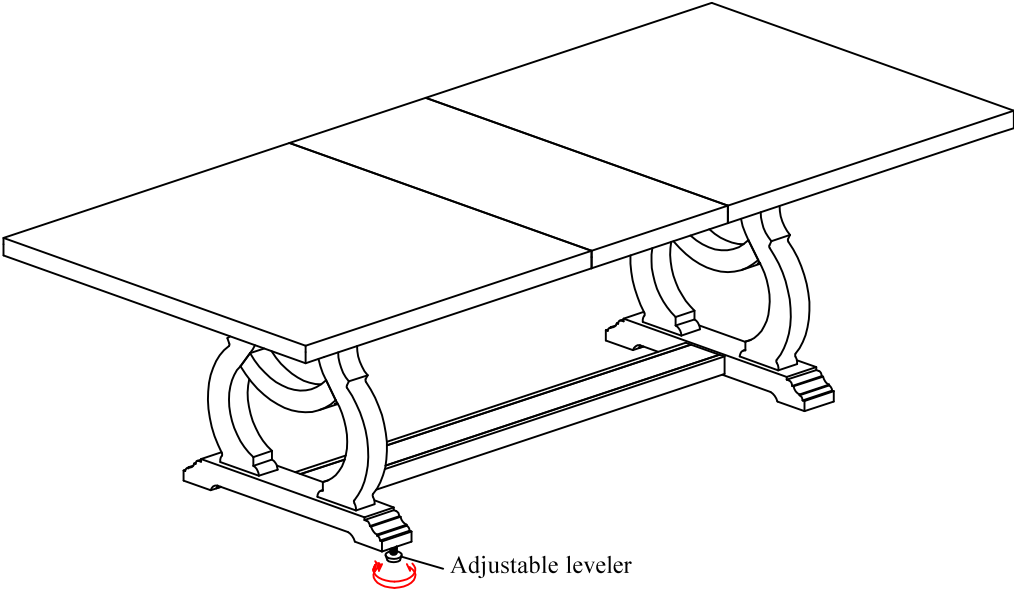


STEP 4

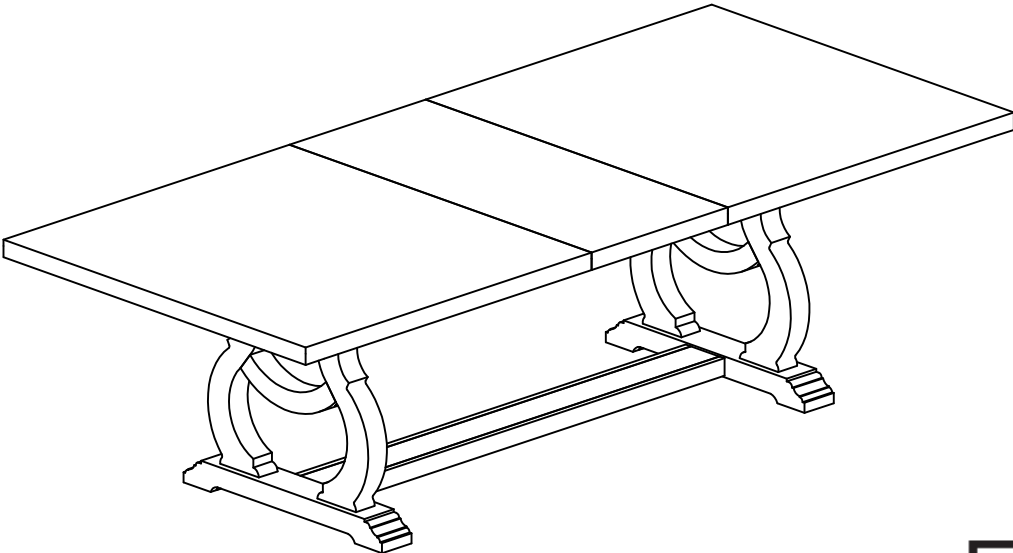


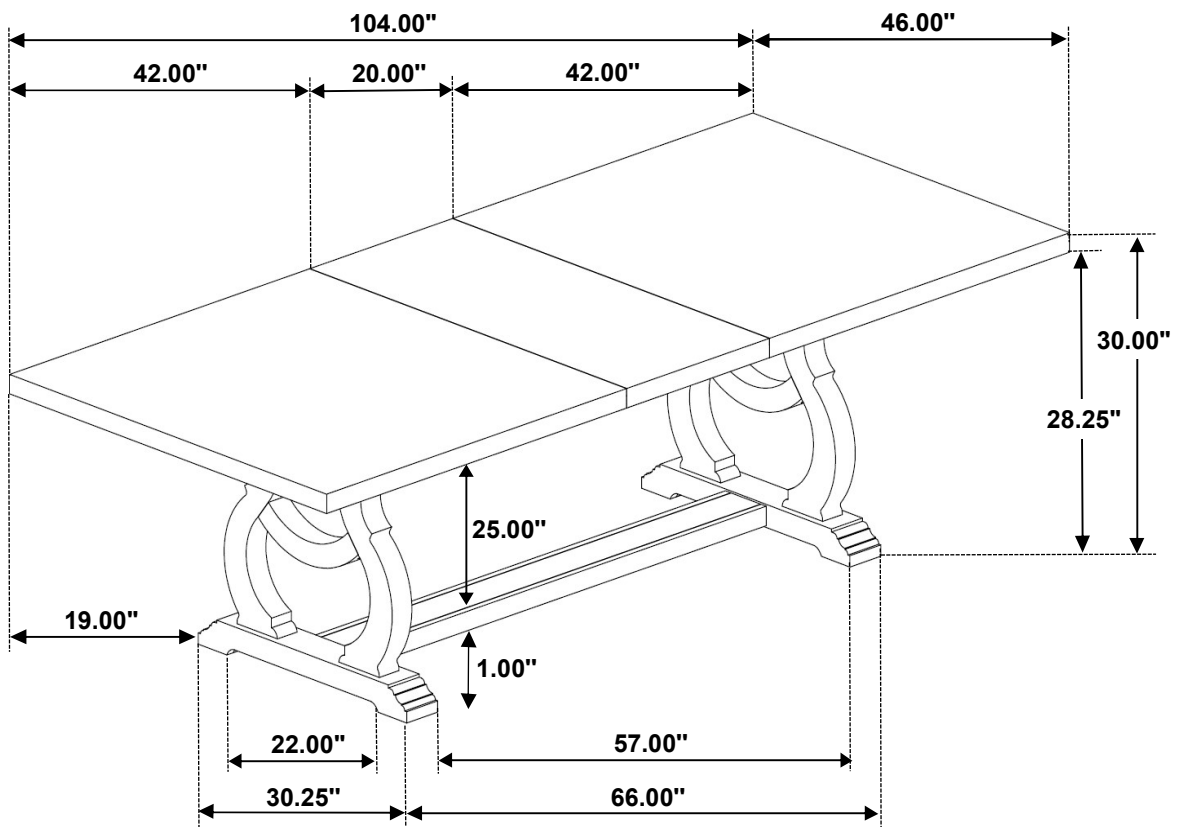
ASSEMBLY INSTRUCTIONS

STEP 5



STEP 6 COMPLETE





Note: Dimension tolerance $\pm 5\%$