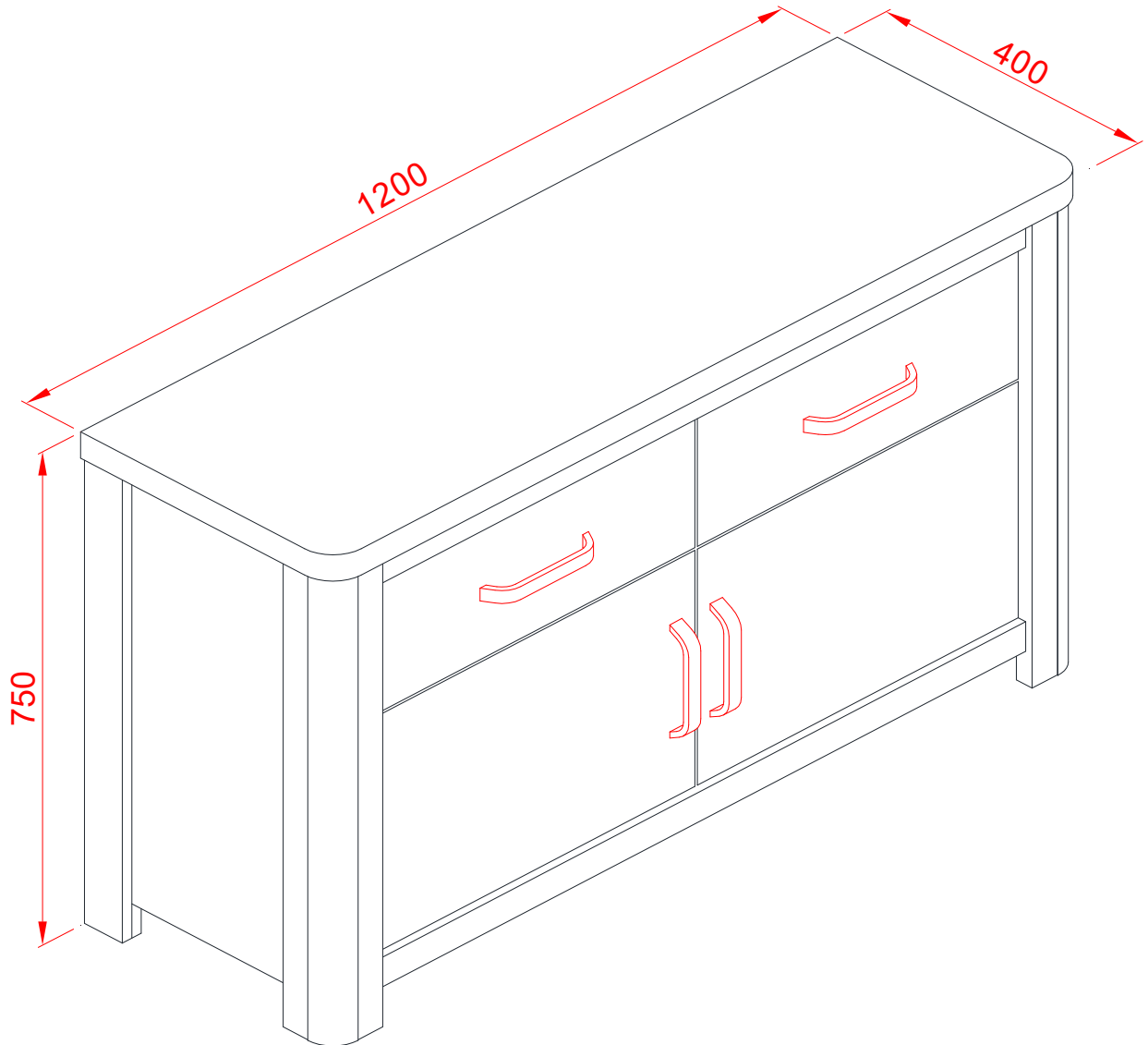


GOLBAL PROCUREMENT AND MARKETING LIMITED

HUNTINGDON SIDEBOARD

Assembly instruction- Please keep for future reference

SIDHUNLRG



Dimensions	No. People	Assembly Time	OW#
Width: 75cm		45 mins (approx)	SIDHUNLRG
Depth: 40cm			
Height: 120cm			

thank you

For purchasing this
GPM Limited
product

Important-Please read these instructions fully before starting assembly

If you need help or have damaged or missing parts, please email aftersales@gpmfurniture.co.uk

⚠ Safety and Care Advice

Important-Please read these instructions fully before starting assembly

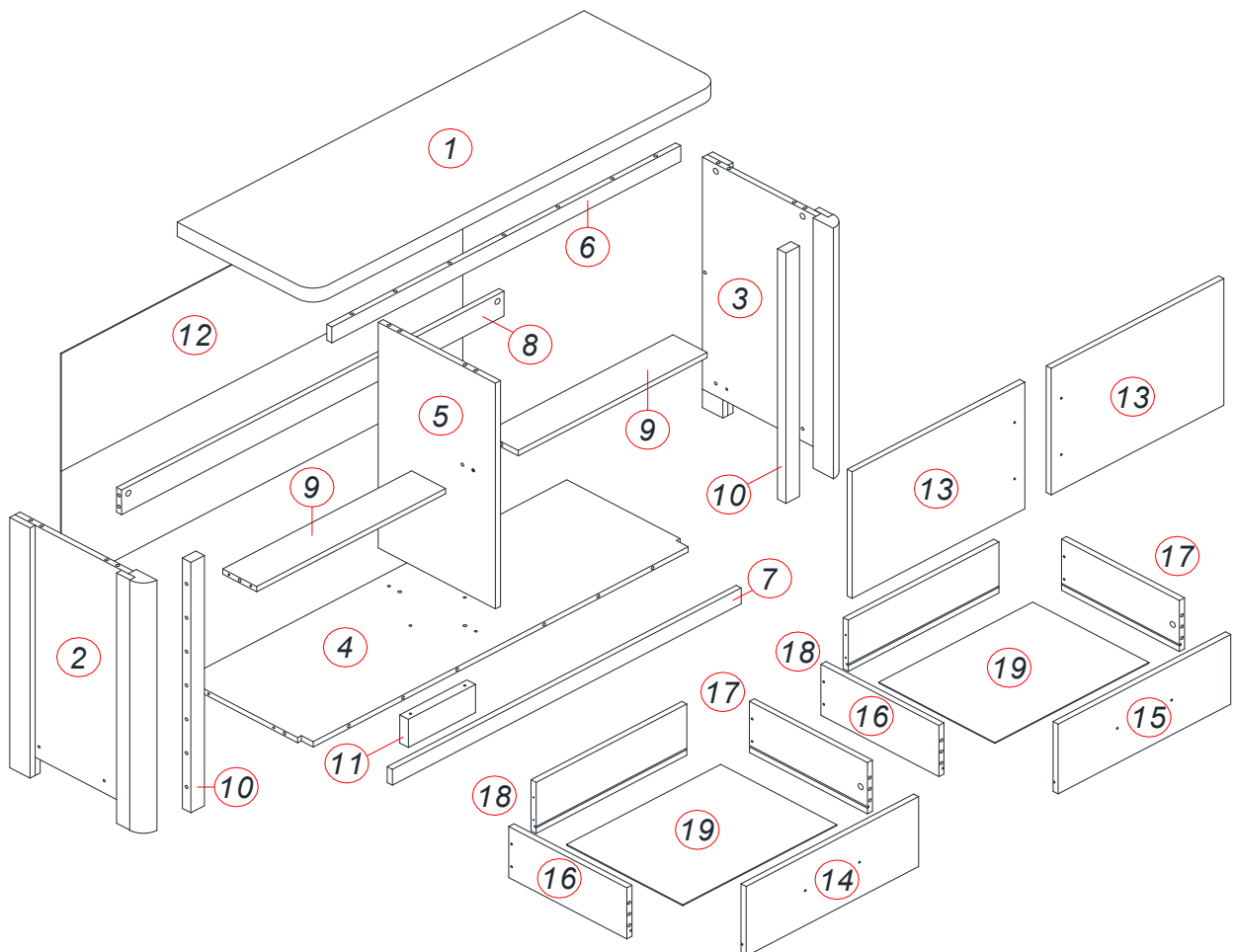
- Check you have all the components and tools listed on pages 2,3 and 4.
- Remove all fittings from the plastic bags and separate them into their groups.
- Keep children and animals away from the work area, small parts could choke if swallowed.
- Make sure you have enough space to lay out the parts before starting.
- Do not stand or put weight on the product, this could cause damage.
- Assemble the item as close to its final position (in the same room) as possible.
- Assemble on a soft, level surface to avoid damaging the unit or your floor.
- We do not recommend the use of power drill/drivers for inserting screw, as this could damage the unit. only use hand screwdrivers.
- Dispose of all packaging carefully and responsibly.



Care and Maintenance

- Only clean using a damp cloth and mild detergent, do not use bleach or abrasive cleaners.
- From time to time check that there are no loose screws on this unit.
- This product should not be discarded with household waste. Take to your local authority waste disposal centre.

If you are unhappy with the product and wish to return it, please following the retailer's return procedure






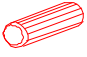




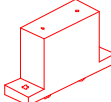











Components - Fixings

If you have damaged or missing components,
email aftersales@gpmfurniture.co.uk

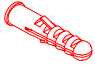




Please check that you have all the components listed below before constructing your item.

Note: The quantities below are the correct amount to complete the assembly. In some cases more fittings may be supplied than

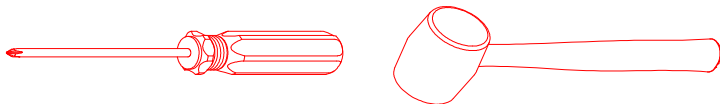
HARDWARE

(A)  MINIFIX 16MM X 24	(B)  MINICAM 16MM X 24	(C)  ALLEN KEY X 1	(D)  WOOD DOWEL 8 X 30 MM X 40	(E)  NAIL LEG 5/8 X 5
(F)  HANDLE PLASTIC 160-2022-1 X 4	(G)  HANDLE SCREW M3.5 X 21MM X 8	(H)  NAIL X 28	(I)  PLASTIC STOPPER 55MM X 8	(J)  HINGES SJ 9V 7/8 X 4
(K)  PAN HEAD M4 X 20MM X 16	(L)  CAP WOOD SCREW M6 X 50 MM X 11	(M)  CSK M4 X 45MM X 3	(N)  CSK M3.5 X 25 MM X 12	(O)  CSK M3.5 X 16MM X 8
(P)  CSK M3.5 X 12MM X 6	(Q)  CSK M3 X 12MM X 12	(R)  DRAWER SLIDE 1MM FGV-300MM X 2	(S)  CSK M4 X 38 MM X 10	(T)  SCREW CAP X 4

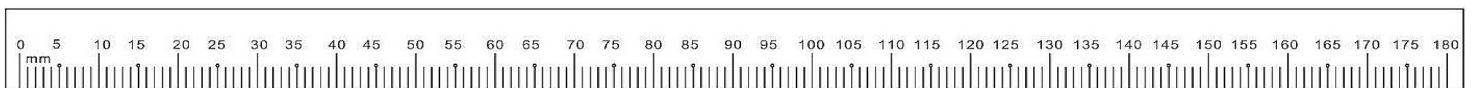
ANTI-TIPPING KITS

(U)  WALL PLUG	(V)  CABLE TIE	(W)  V-BRACKET	(X)  6 X 1 - 1/2 WHITE (C/W SCREW)	(Y)  SCREW # 6 X 5/8 " (PAN + TAPPING)
---------------------------------------------------------------------------------------------------------	---------------------------------------------------------------------------------------------------------	---------------------------------------------------------------------------------------------------------	----------------------------------------------------------------------------------------------------------------------------------	----------------------------------------------------------------------------------------------------------------------------------------------------------------

Tools Required (Not Provided)



Ruler - Use this to measure your screws (mm)



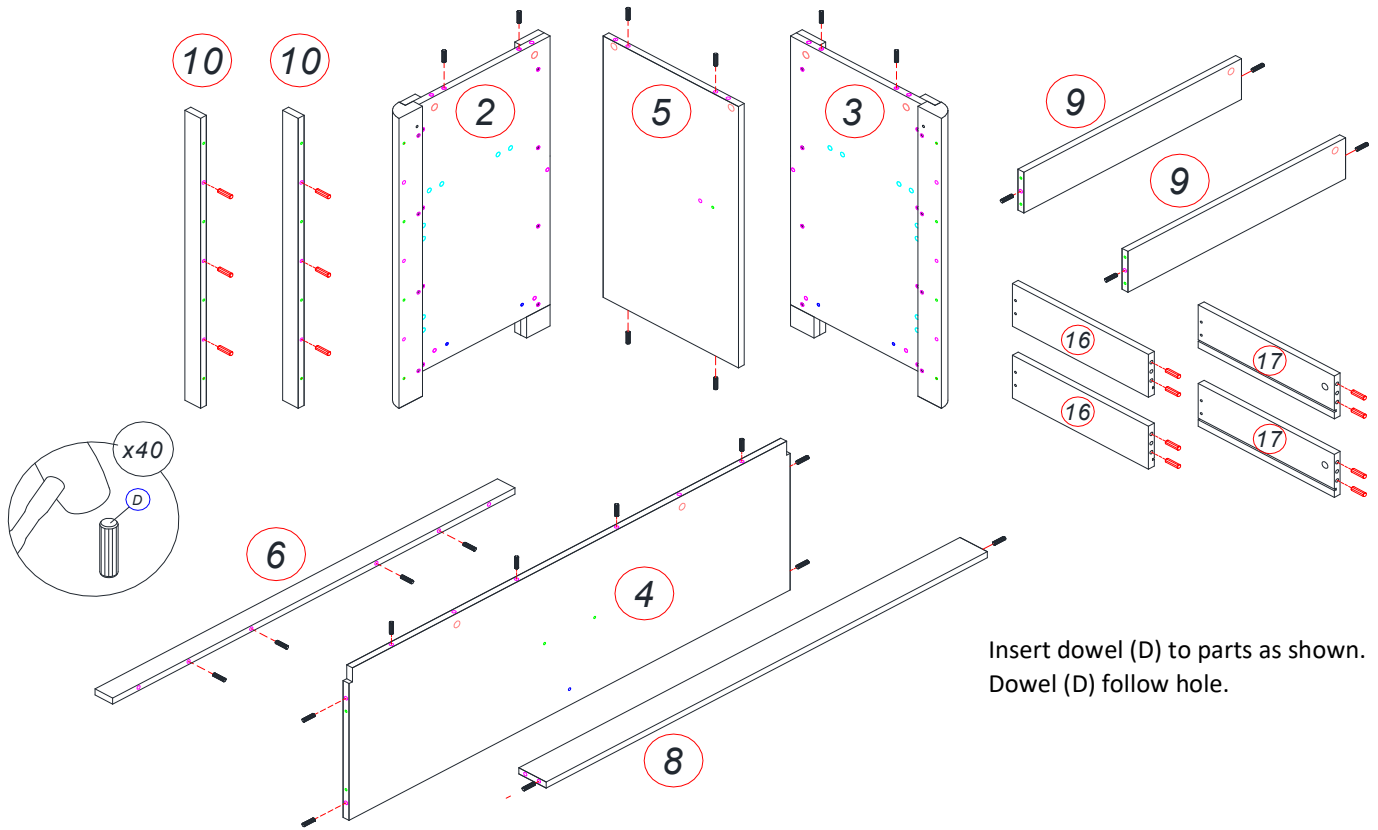
Important-Please read these instructions fully before starting assembly

If you need help or have damaged or missing parts, please email aftersales@gpmfurniture.co.uk

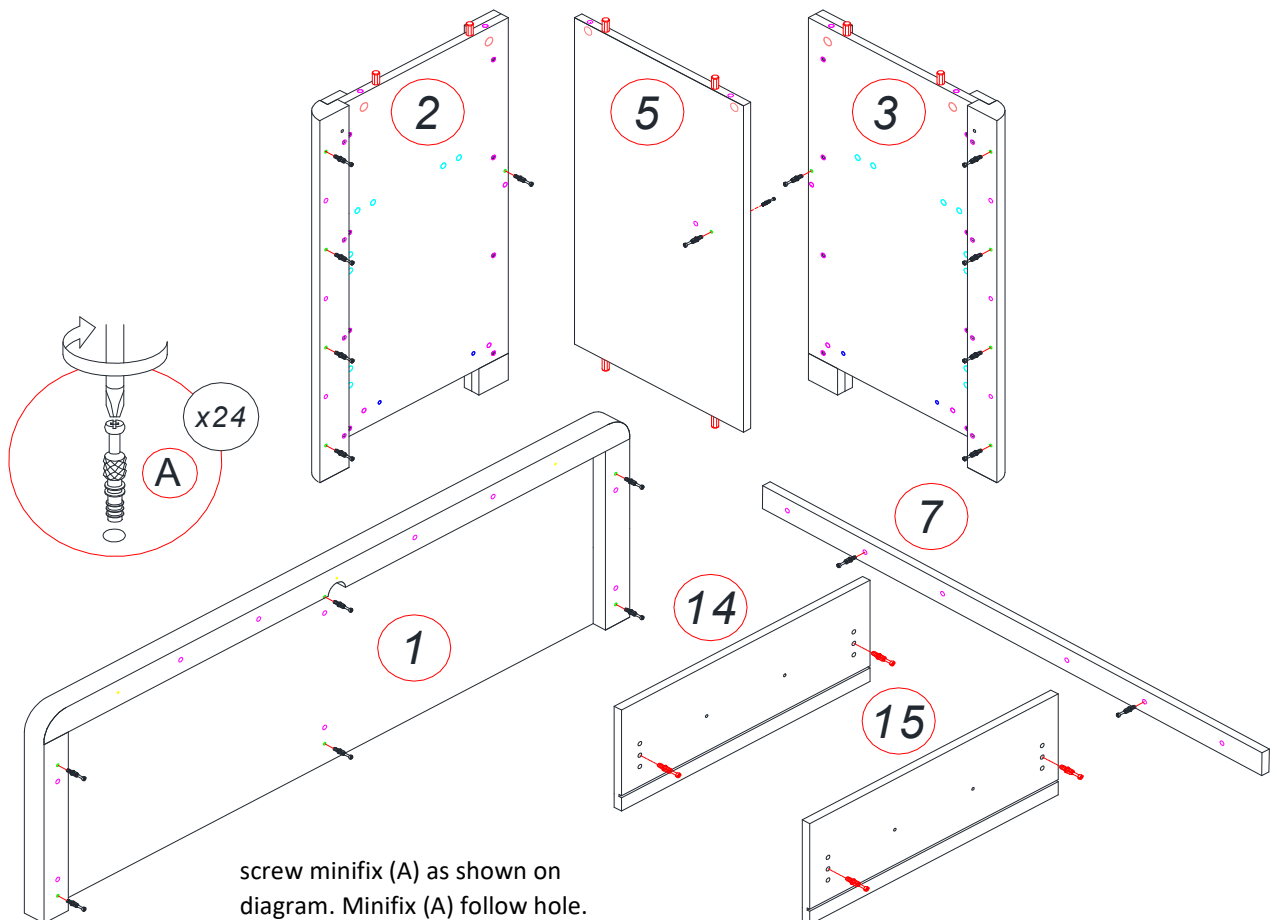
Assembly Instructions

If you have damaged or missing components,
email aftersales@gpmfurniture.co.uk

Step 1



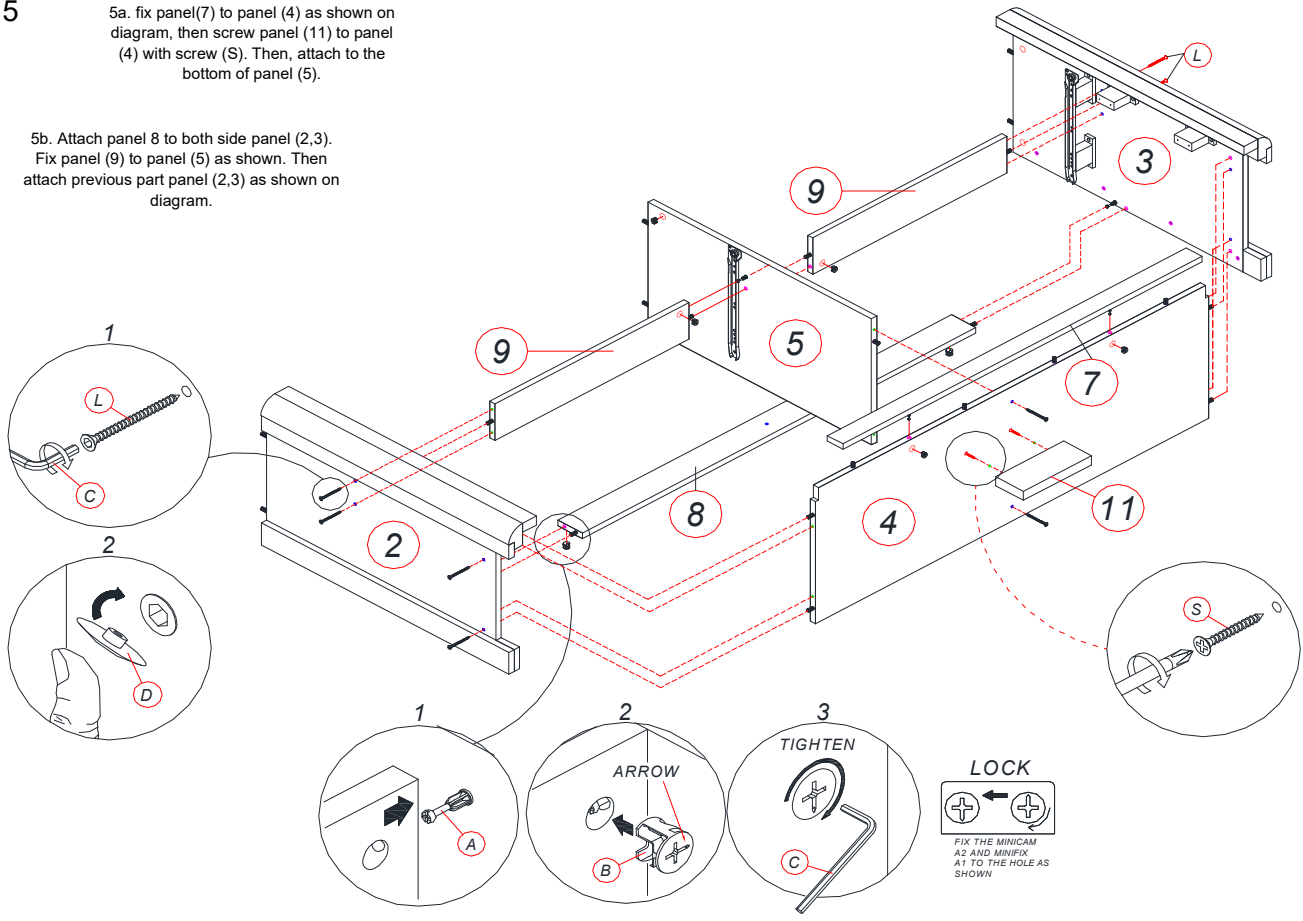
Step 2



Step 5

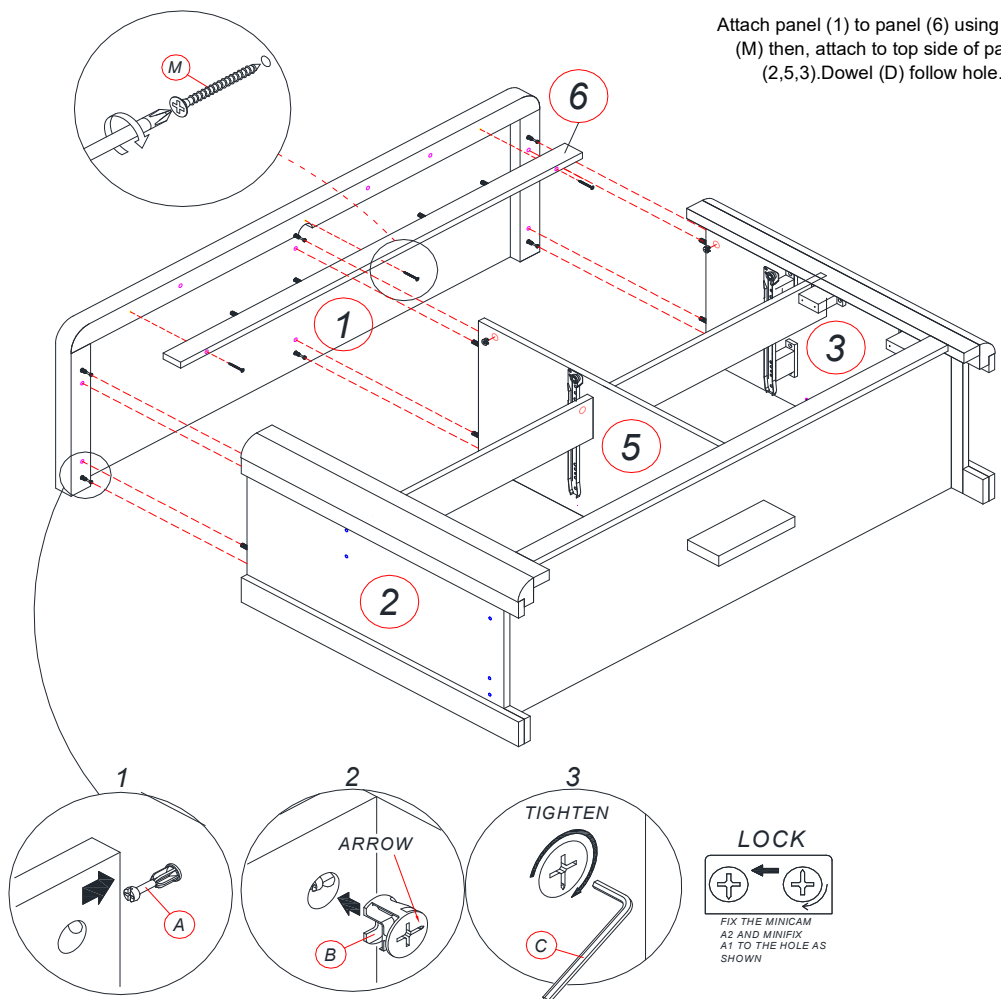
5a. fix panel(7) to panel (4) as shown on diagram, then screw panel (11) to panel (4) with screw (S). Then, attach to the bottom of panel (5).

5b. Attach panel 8 to both side panel (2,3). Fix panel (9) to panel (5) as shown. Then attach previous part panel (2,3) as shown on diagram.



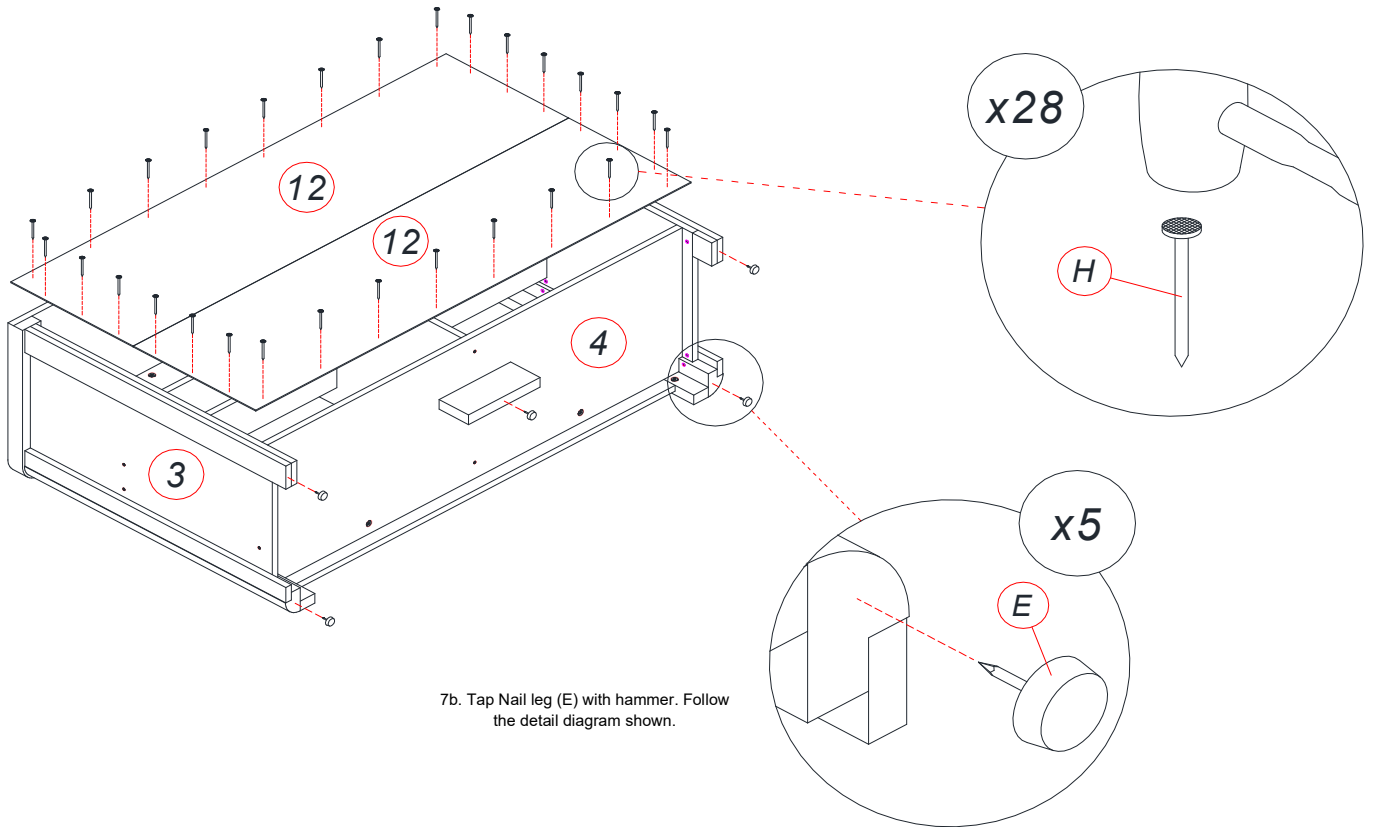
Step 6

Attach panel (1) to panel (6) using screw (M) then, attach to top side of panel (2,5,3). Dowel (D) follow hole.

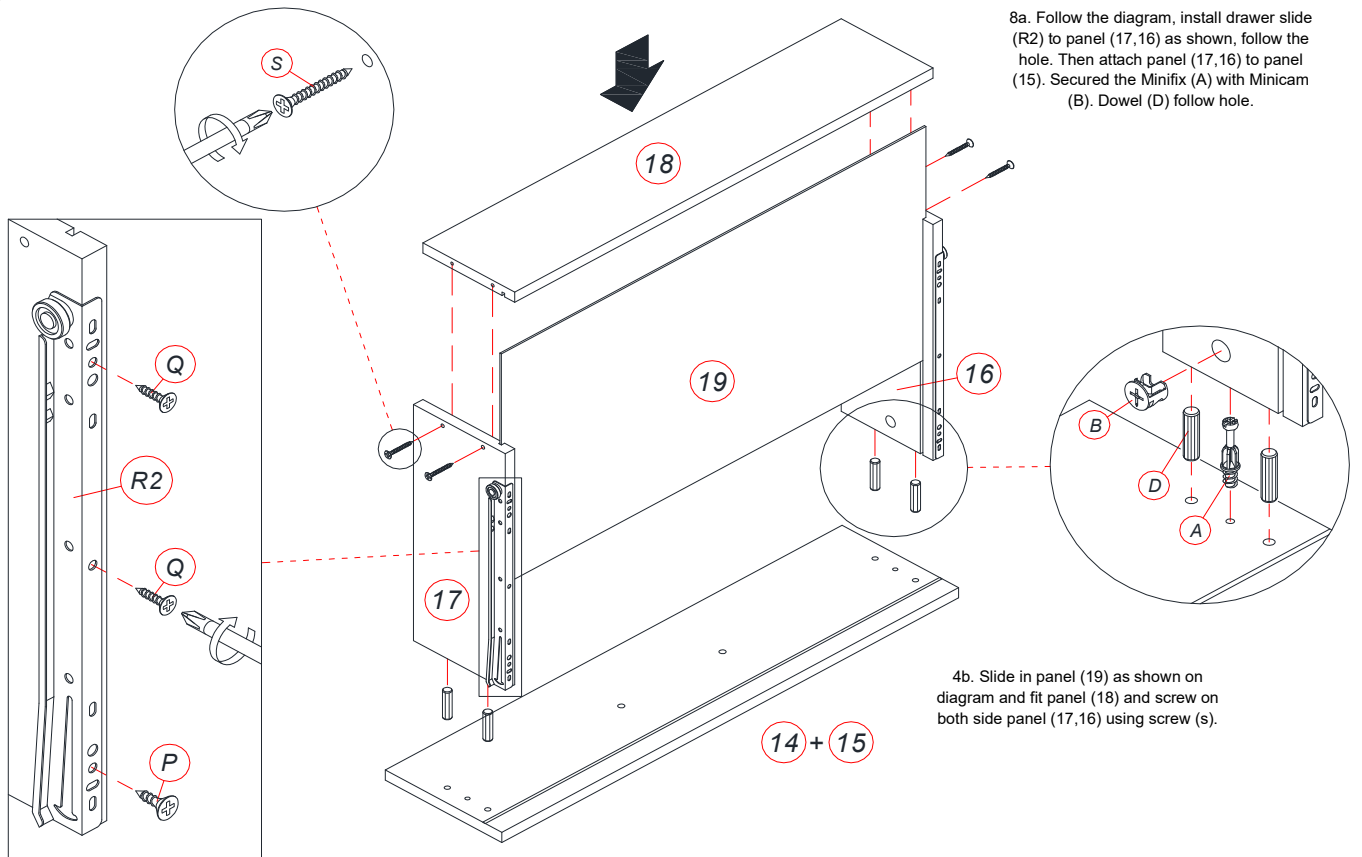


Step 7

7a. Nail (H) all around side back cover
2.5mm panel number(12) with use hammer
as shown

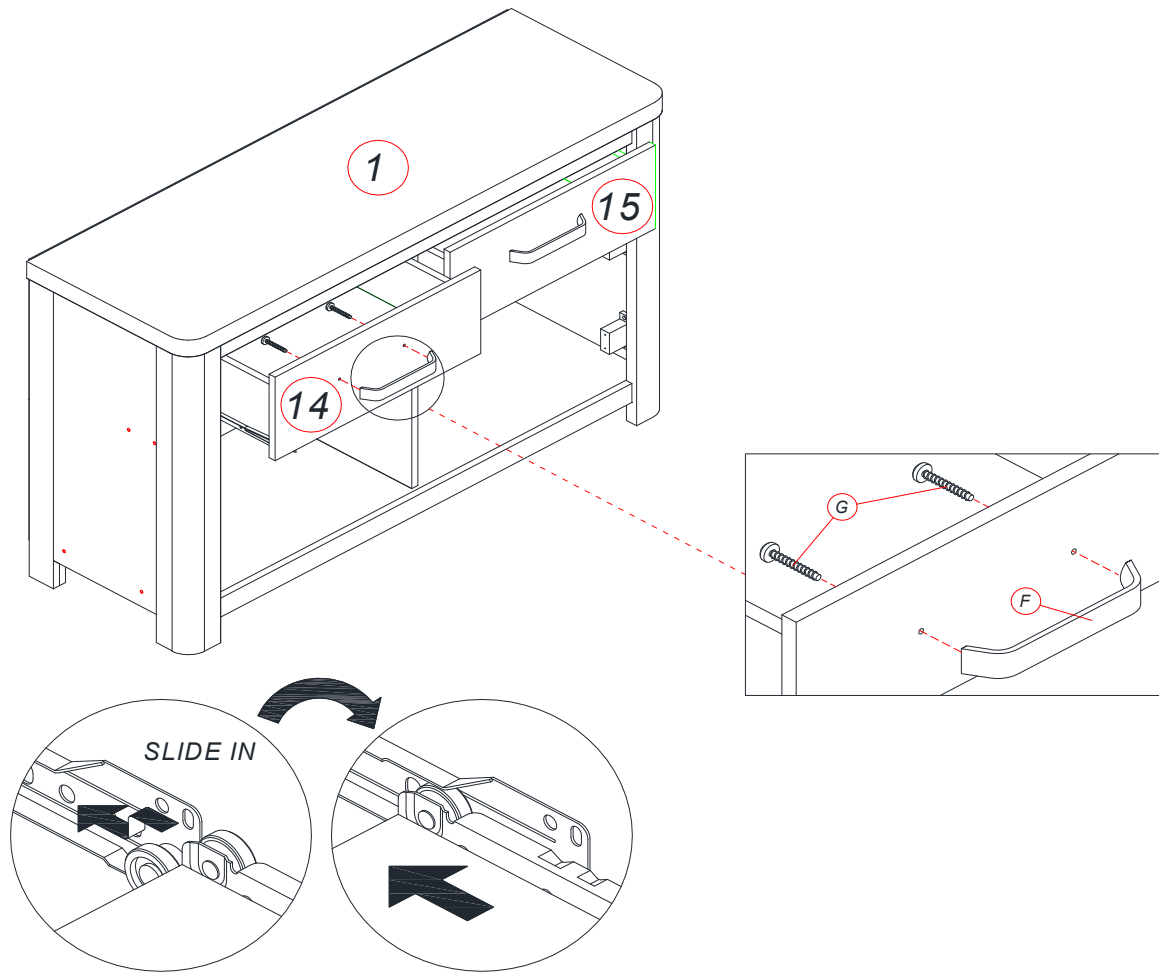


Step 8



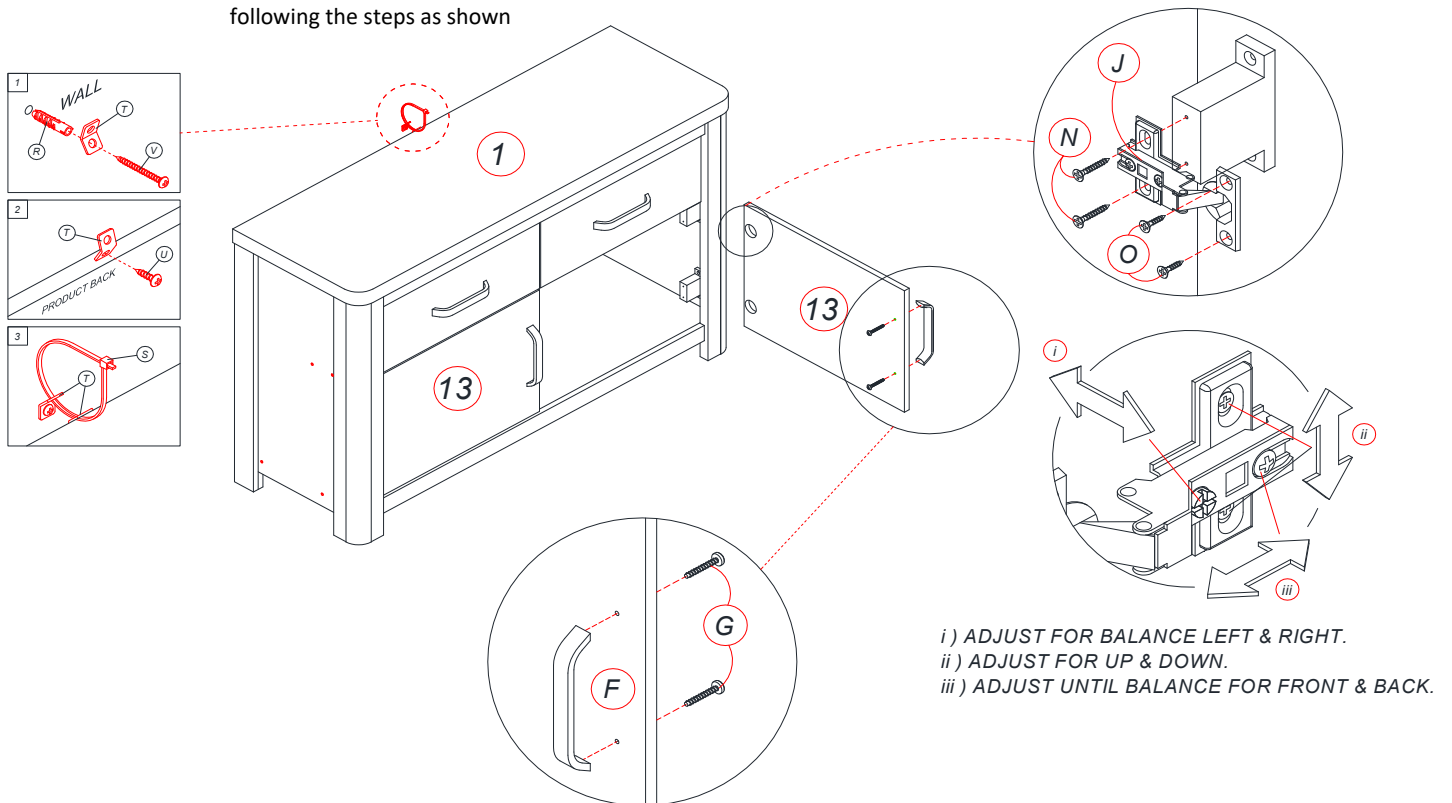
2 SETS SAME ASSEMBLY

Step 9



Step 10

Attach the Anti-Tipping kit onto wall following the steps as shown



Assembly Complete