

(1)X1



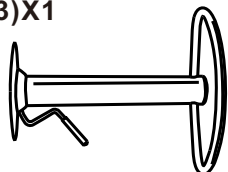
(6)X1



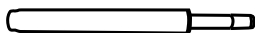
(2)X1



(3)X1



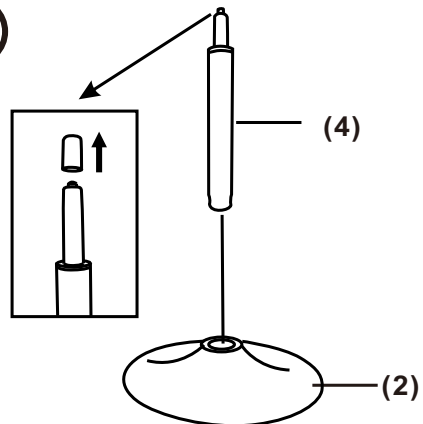
(4)X1



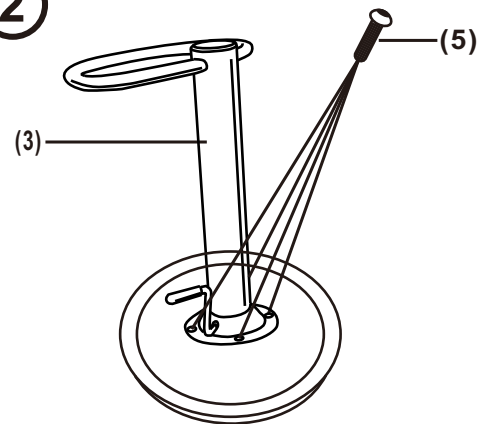
(5)X4



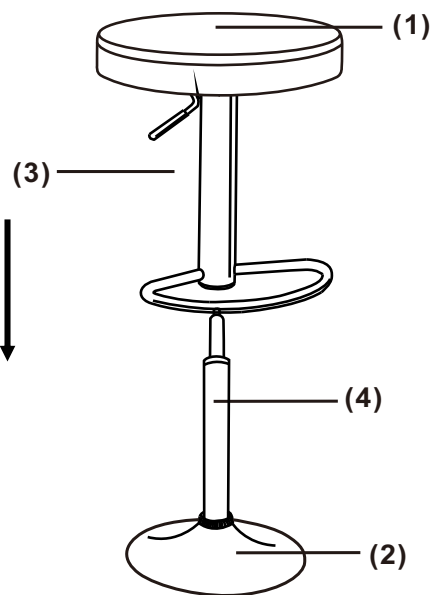
1



2



3



4

