

Sofa

Special Instructions

I can't find Assembly tools! Legs? Cushions / Pillows ?

Turn seat cushion base upside down, and unzip lining.

This area will contain the following:

**Legs, Arms,
Assembly Tools,
and cushion/pillows.**



**Remove Cushions & Hardware
(Located inside sofa seat)**



Notes

- The user must assemble and use the product strictly according to the provisions outlined in the manual. It is recommended for two adults to mount the product.
 - The seller does not assume any responsibility or liability with respect to any damage caused by incorrect assembly or improper use.
 - Please check if the body of the product is intact and all accessories are complete before assembly. Follow the assembly steps shown in the diagram to position and adjust all parts, and then gradually tighten all screws. Do not tighten excessively.
 - Keep the article away from acid and alkaline chemicals which may cause a chemical reaction, discolouration, etc.
 - Keep this product in a room with normal temperature. Avoid direct sunlight or placing it next to heat sources which can cause deformation, distortion and possible cracking.
 - This summary may not include every detail of all variations and considered steps.
Please contact us when further information and help are needed.
-
-

Warnings

- Children must be under adult supervision to use the product. The seller is not liable for damage or injury.
 - Never allow children to climb or play around the product in order to prevent the product falling and to protect children from personal injury.
 - During the mounting process, keep small objects out of the reach of children which may be fatal if swallowed or inhaled.
 - To avoid the potential dangers of suffocation, please keep all parts and packaging (films, plastic bags, foam, etc.) away from babies and children.
 - The floor-standing model should be fixed to the wall with the anti-slip device to ensure safe use and avoid damage or injury caused by tilting.
-
-

Instructions accessories

A



2PCS

B



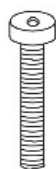
2PCS

C



2PCS

D



M8 × 60MM
2PCS

E



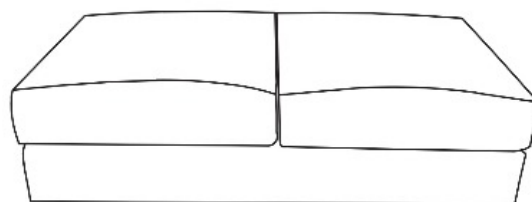
Φ 10 × 40MM
2PCS

F



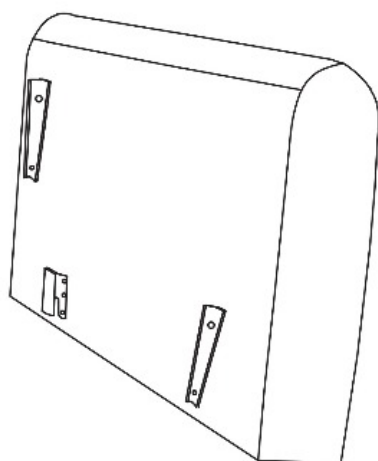
1PC

G



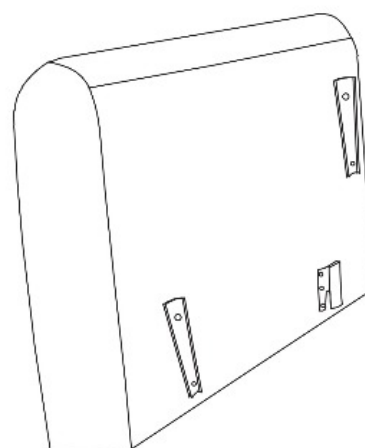
1PC

H



1PC

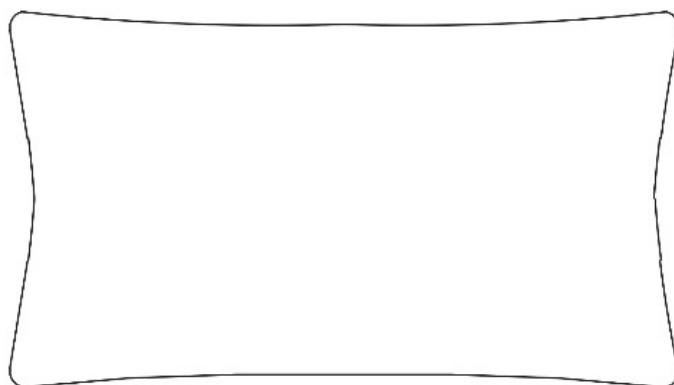
I



1PC

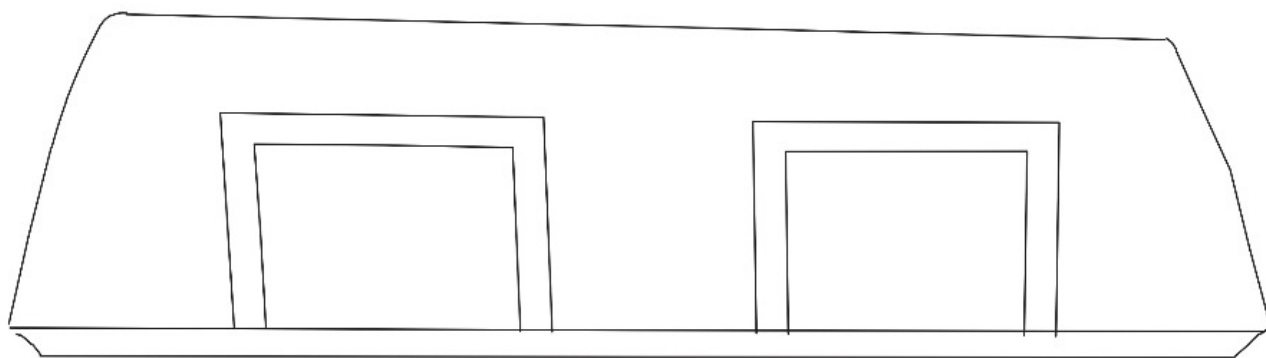
Instructions accessories

J



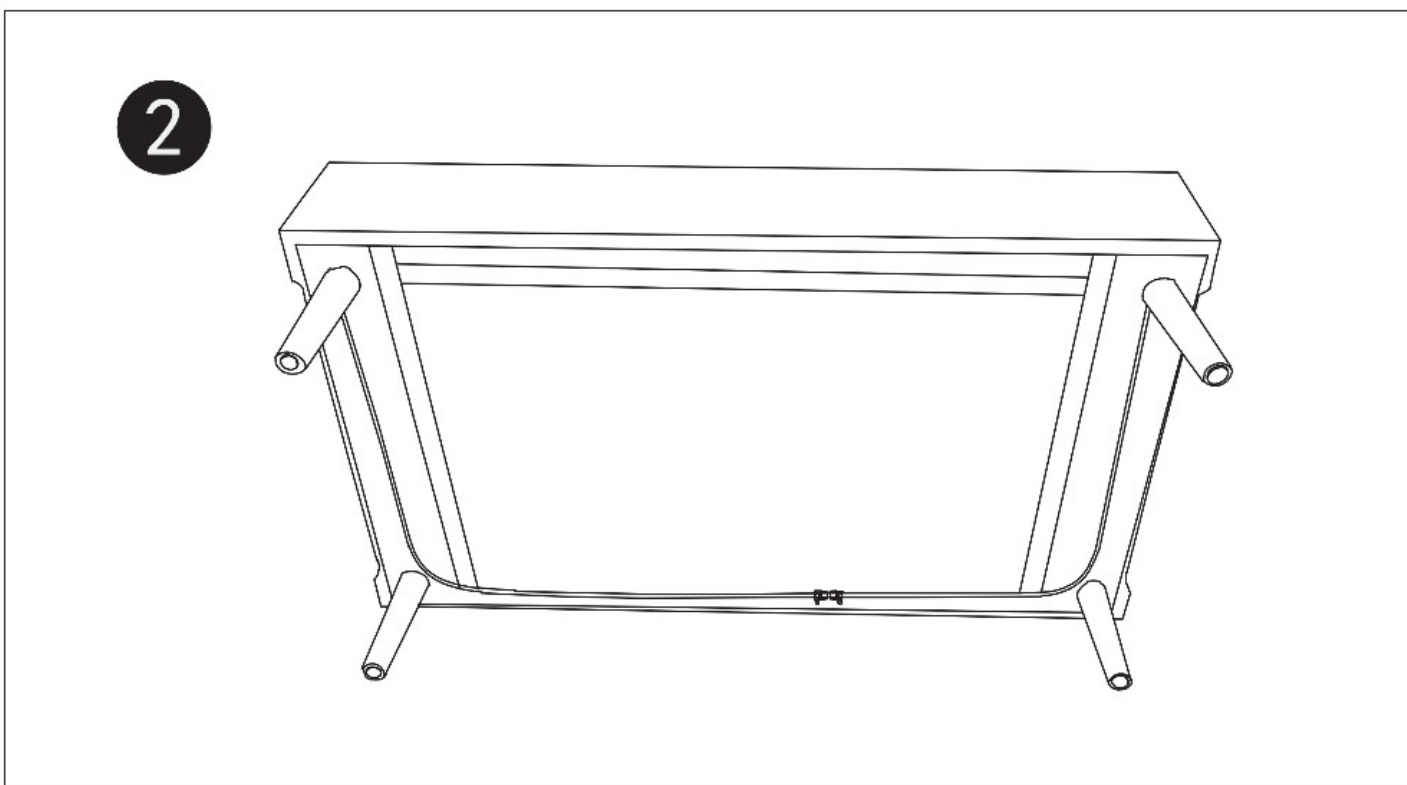
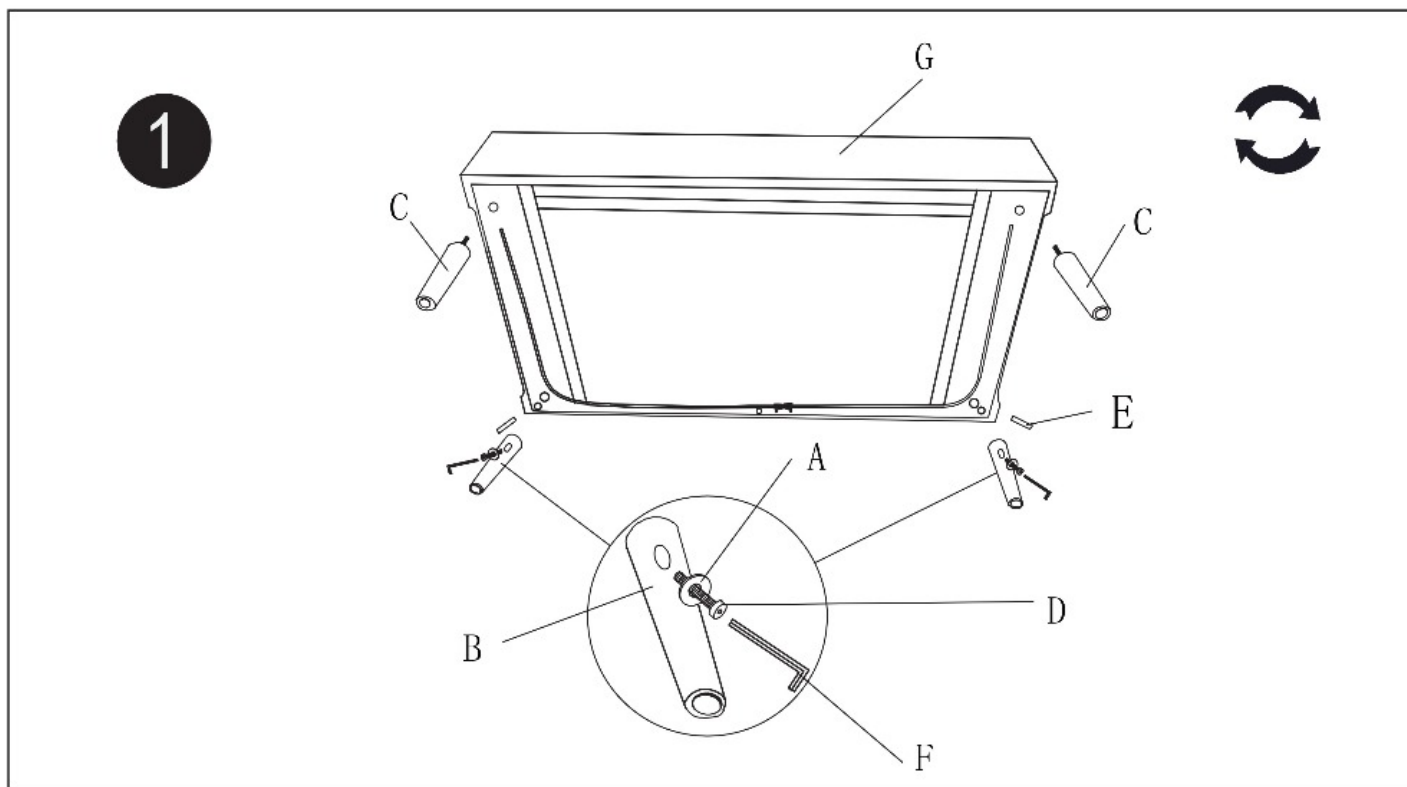
2PCS

K

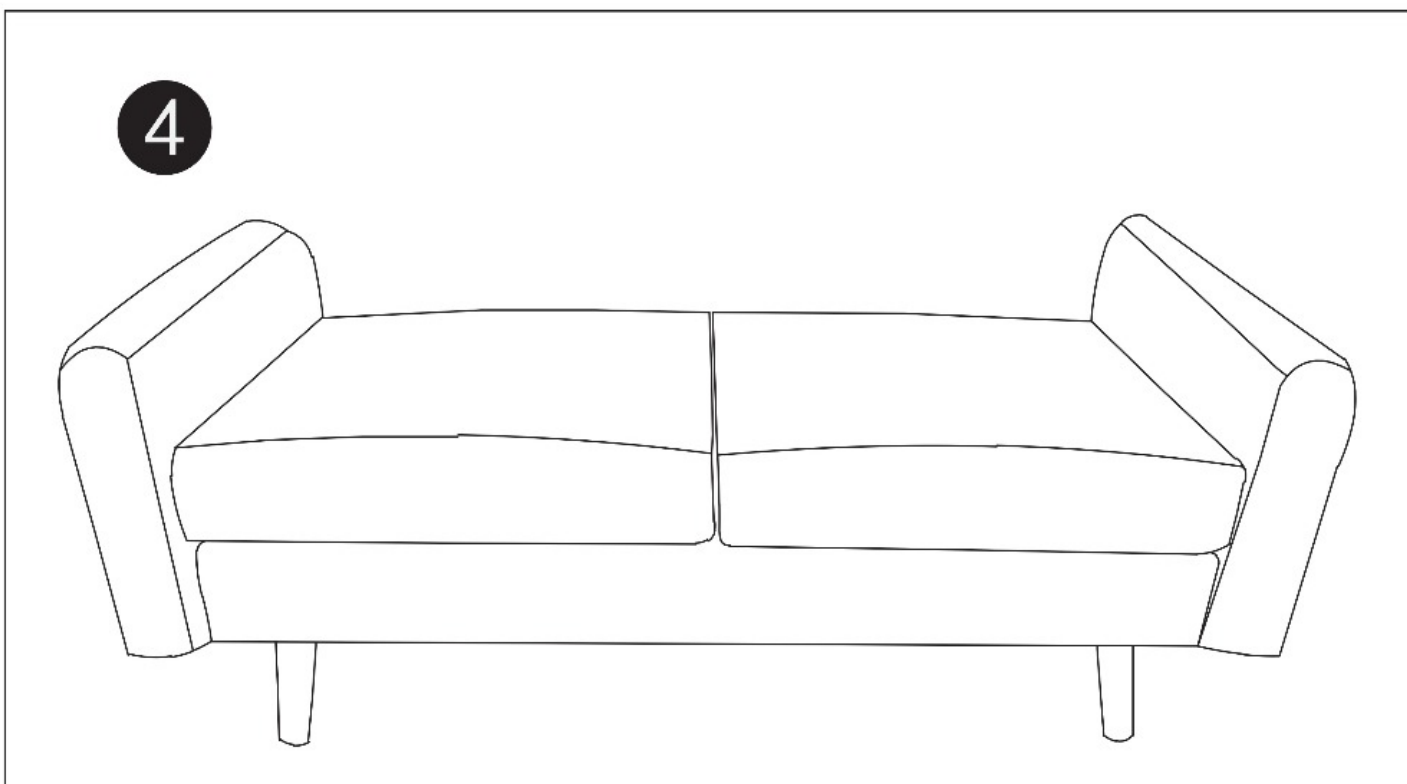
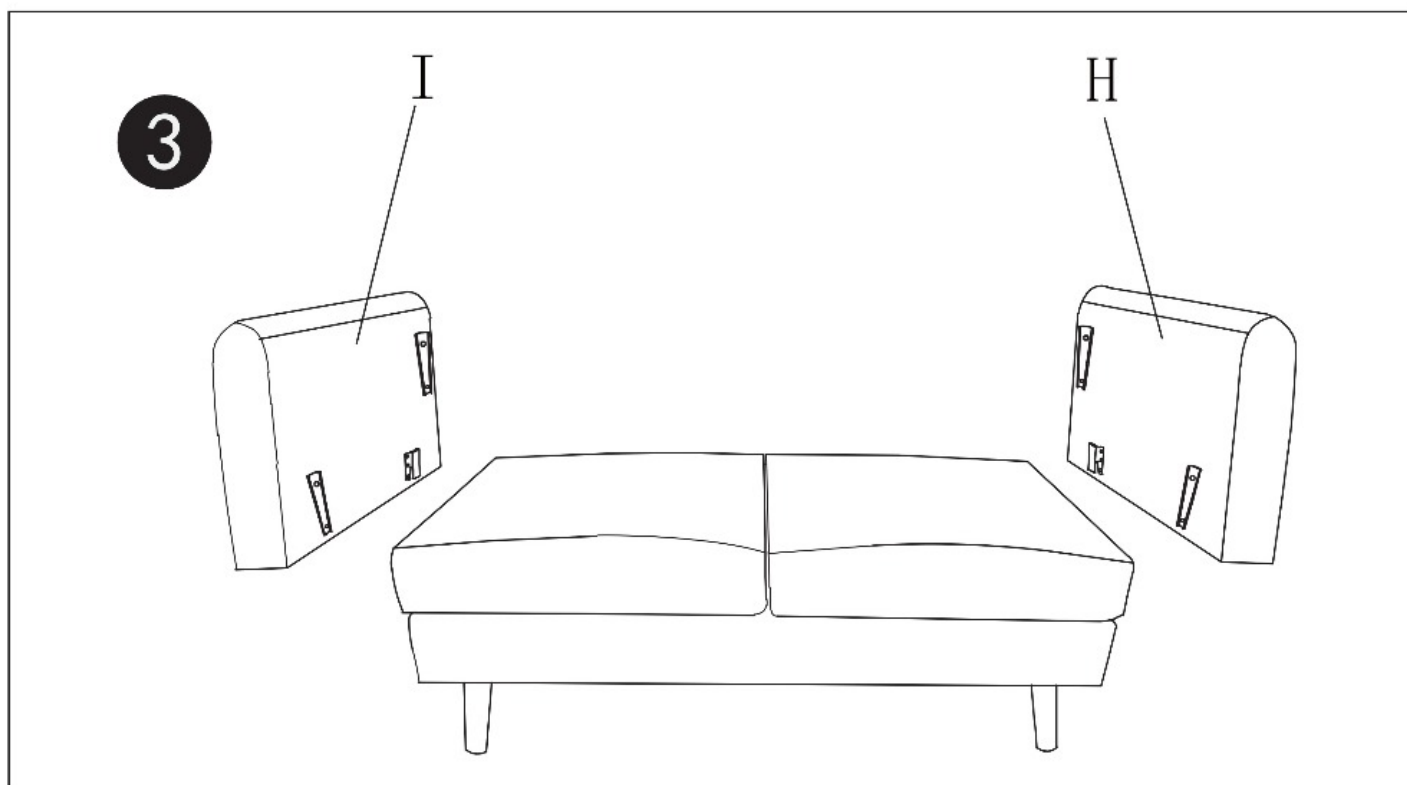


1PC

Product installation instructions

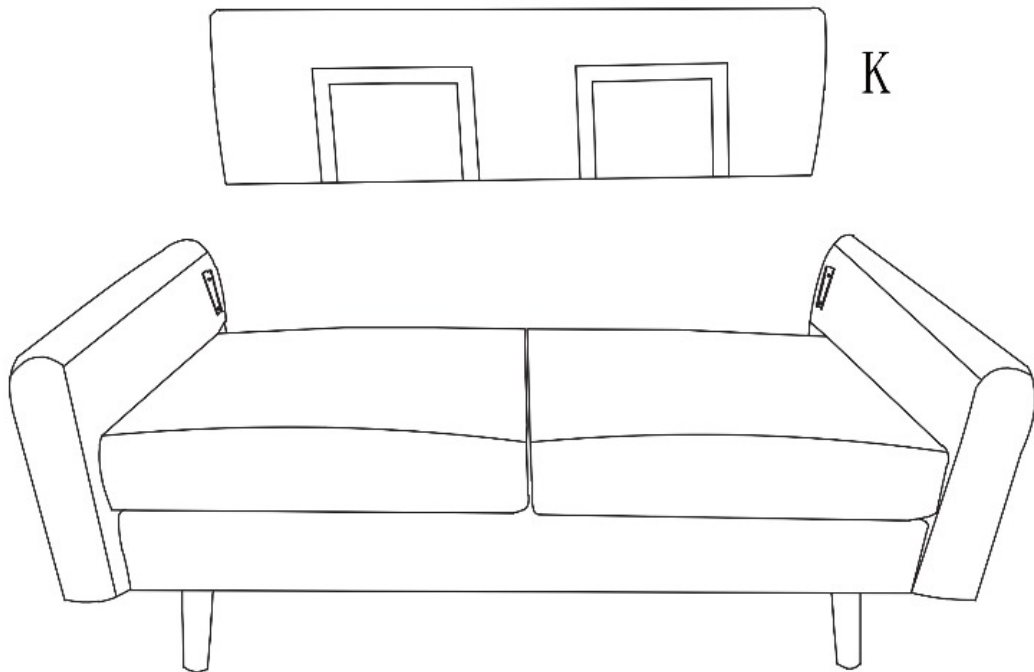


Product installation instructions

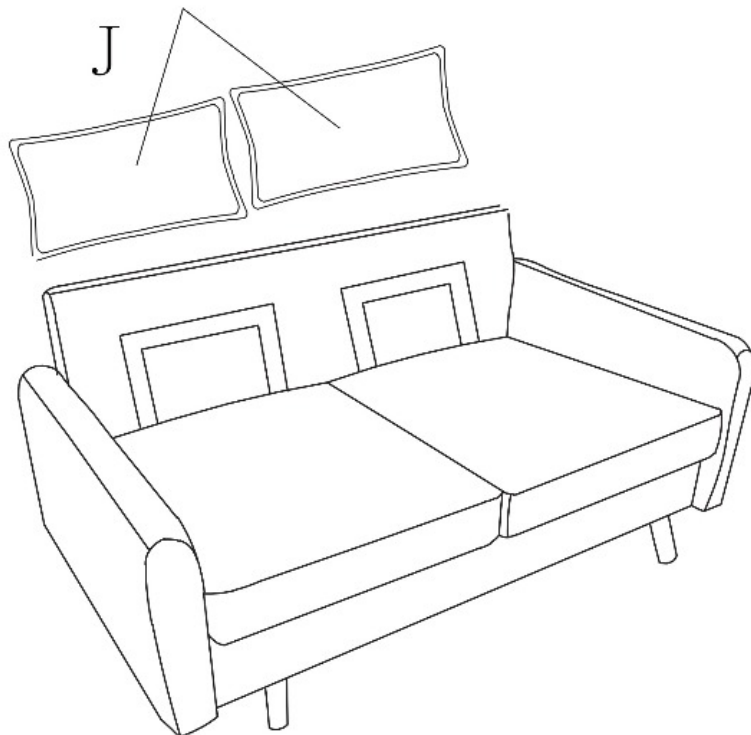


Product installation instructions

5

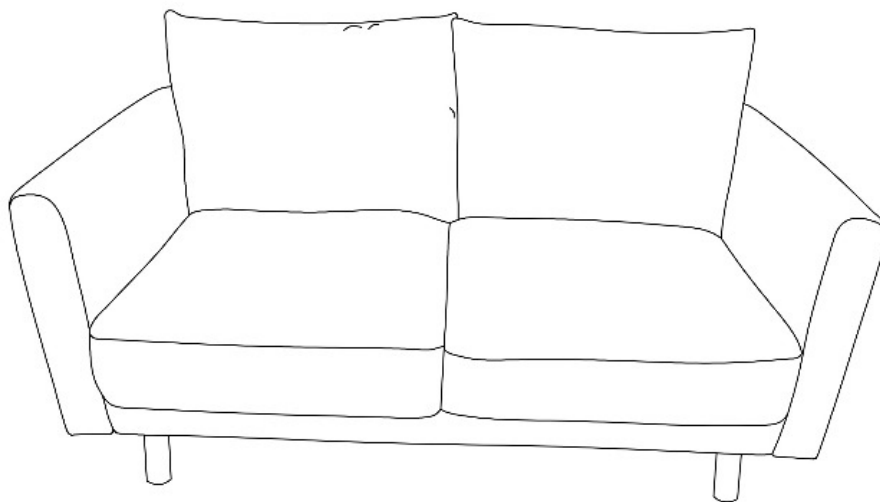


6



Product installation instructions

7





| Warranty

If you need any help, please feel free to contact us.
We will answer you within 2 working days.