

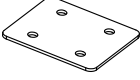





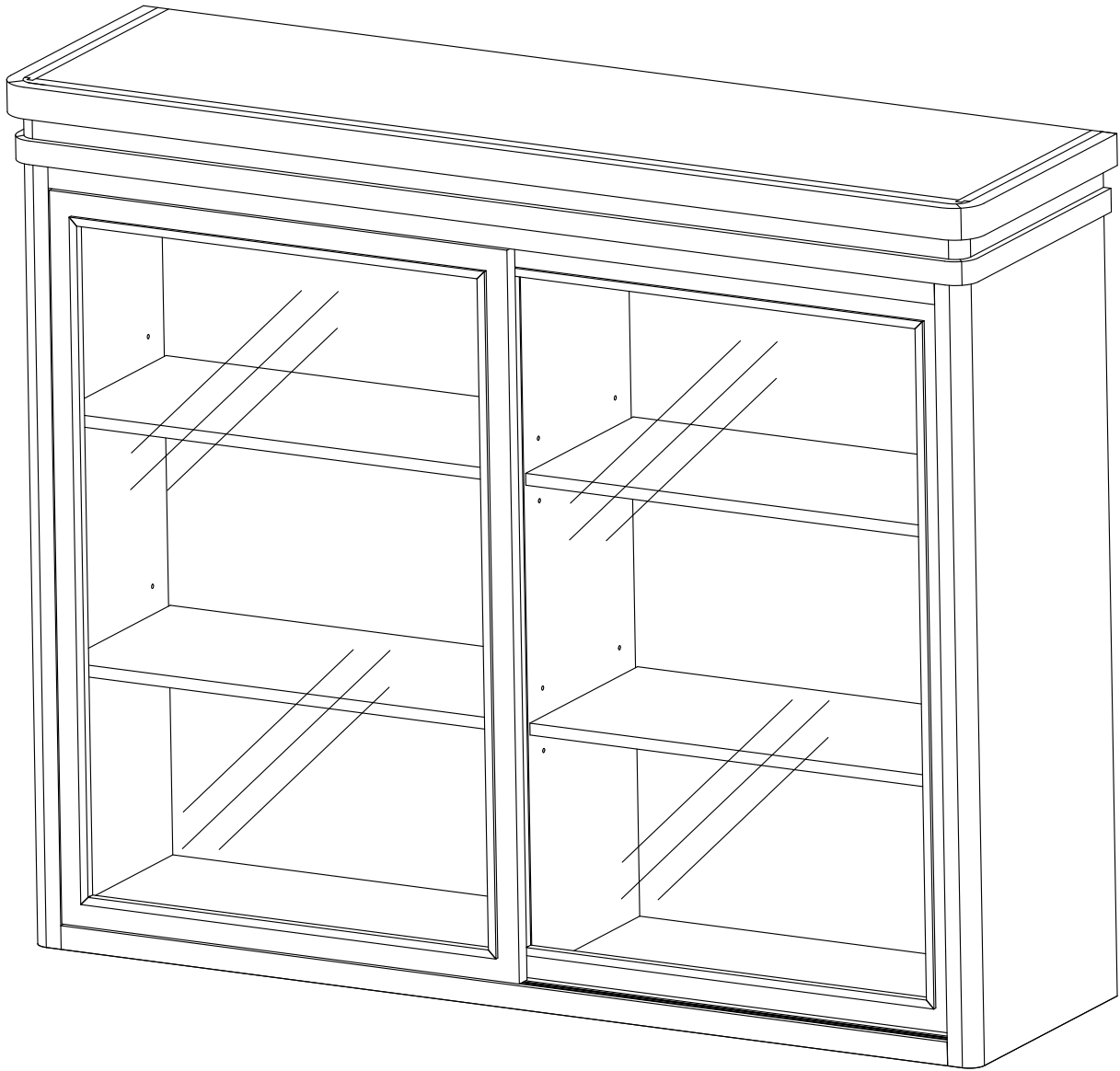
ASSEMBLY INSTRUCTION FOR CABINET

HARDWARE LIST

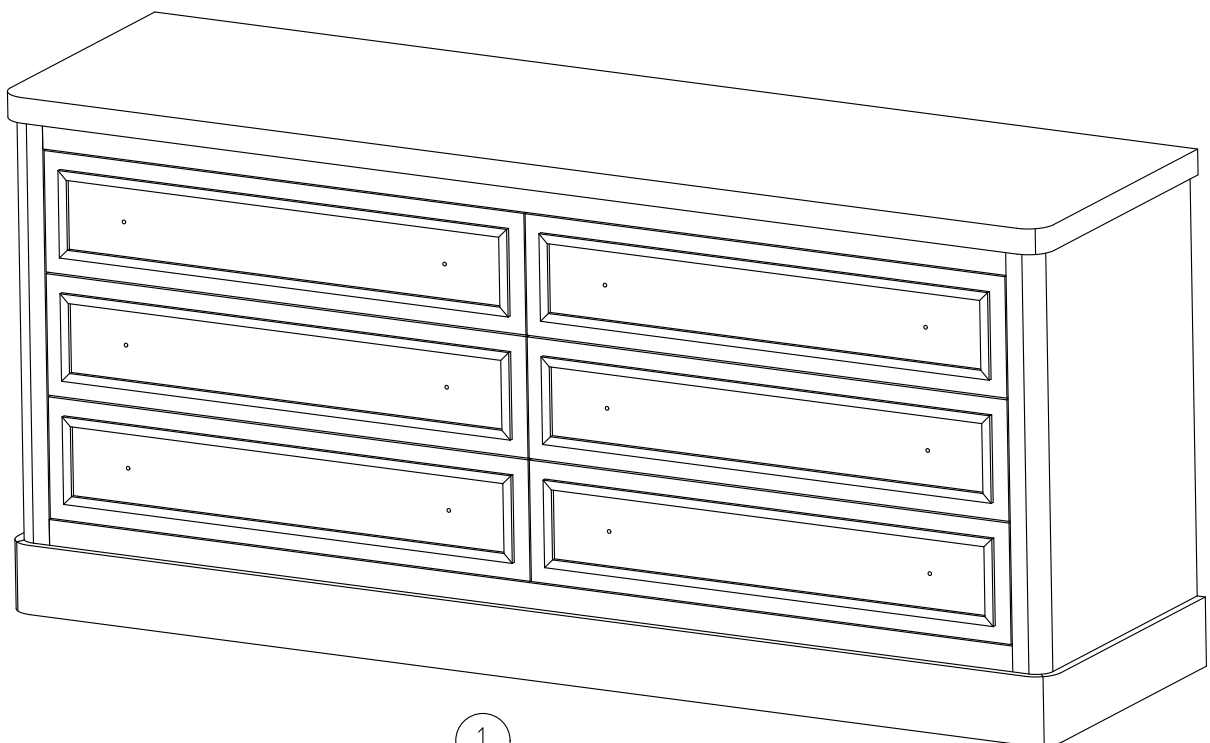
A		Bolt	M6 x 20 mm	8
B		Washer	6 x 13mm	8
C		Lock Washer	46 x 60 mm	2
D		Allen Key	4mm	1
E		Tipping Hardware		2 SET
F		Screwdrivers (Not included)		1



COMPONENTS

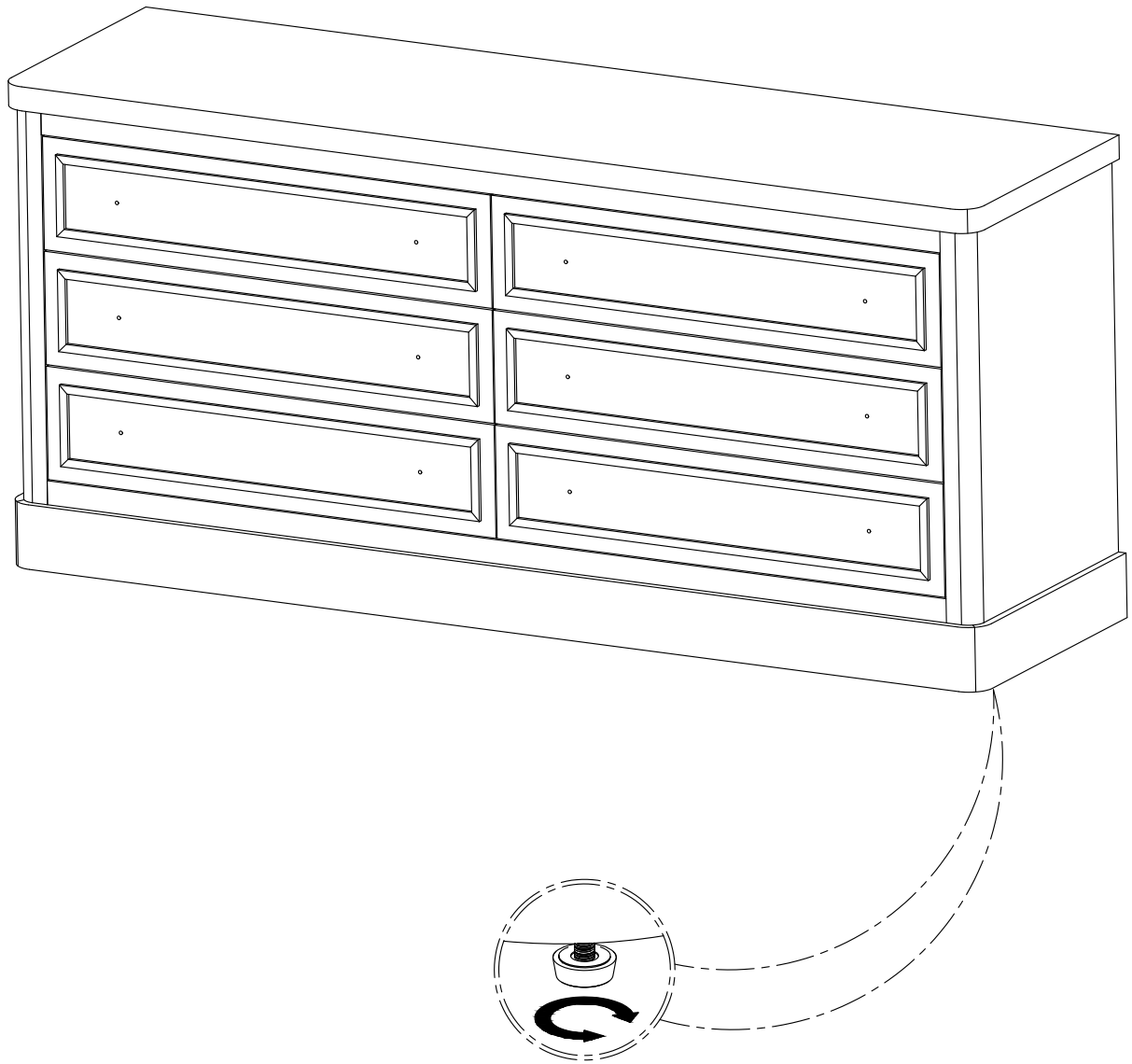


2

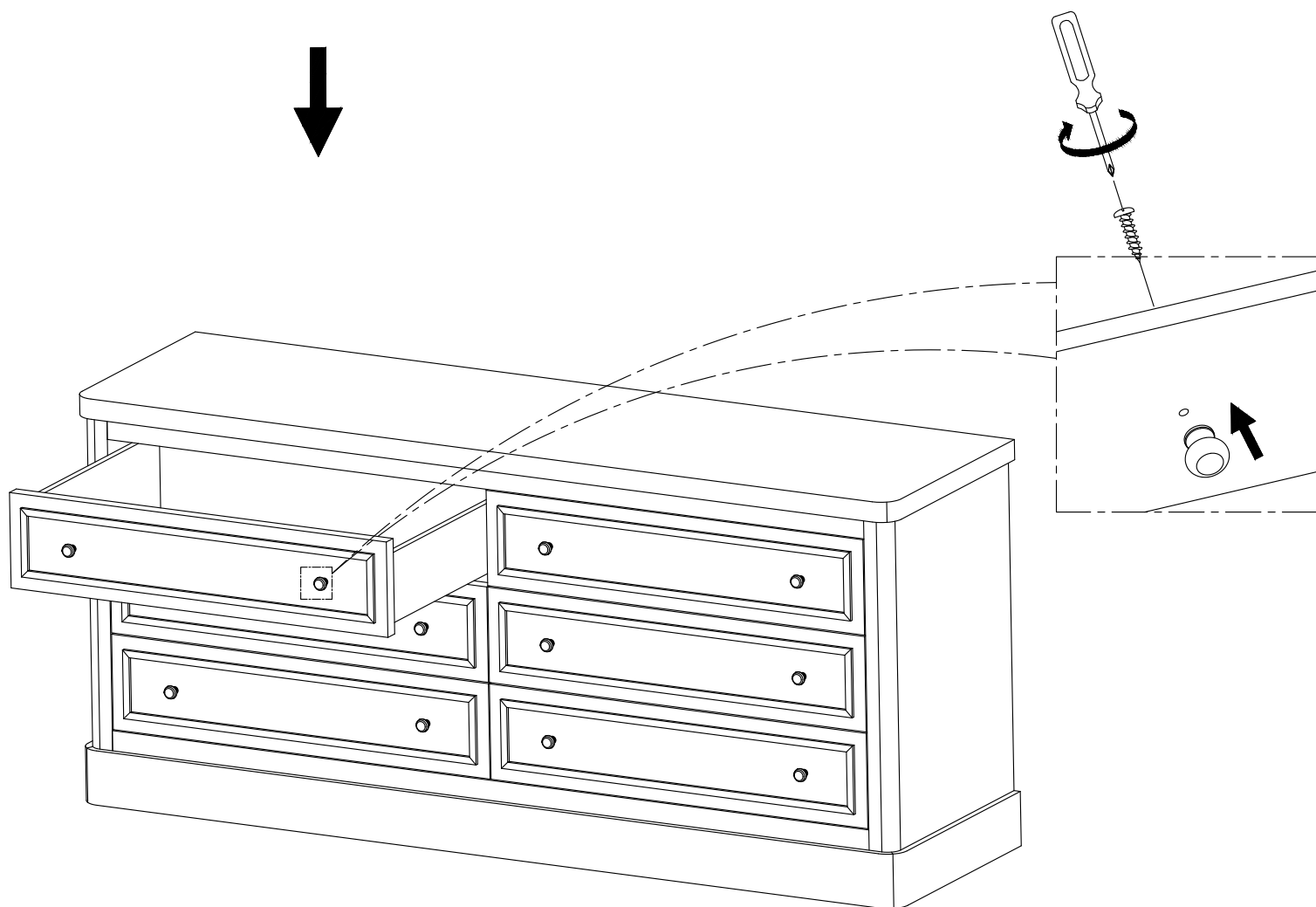
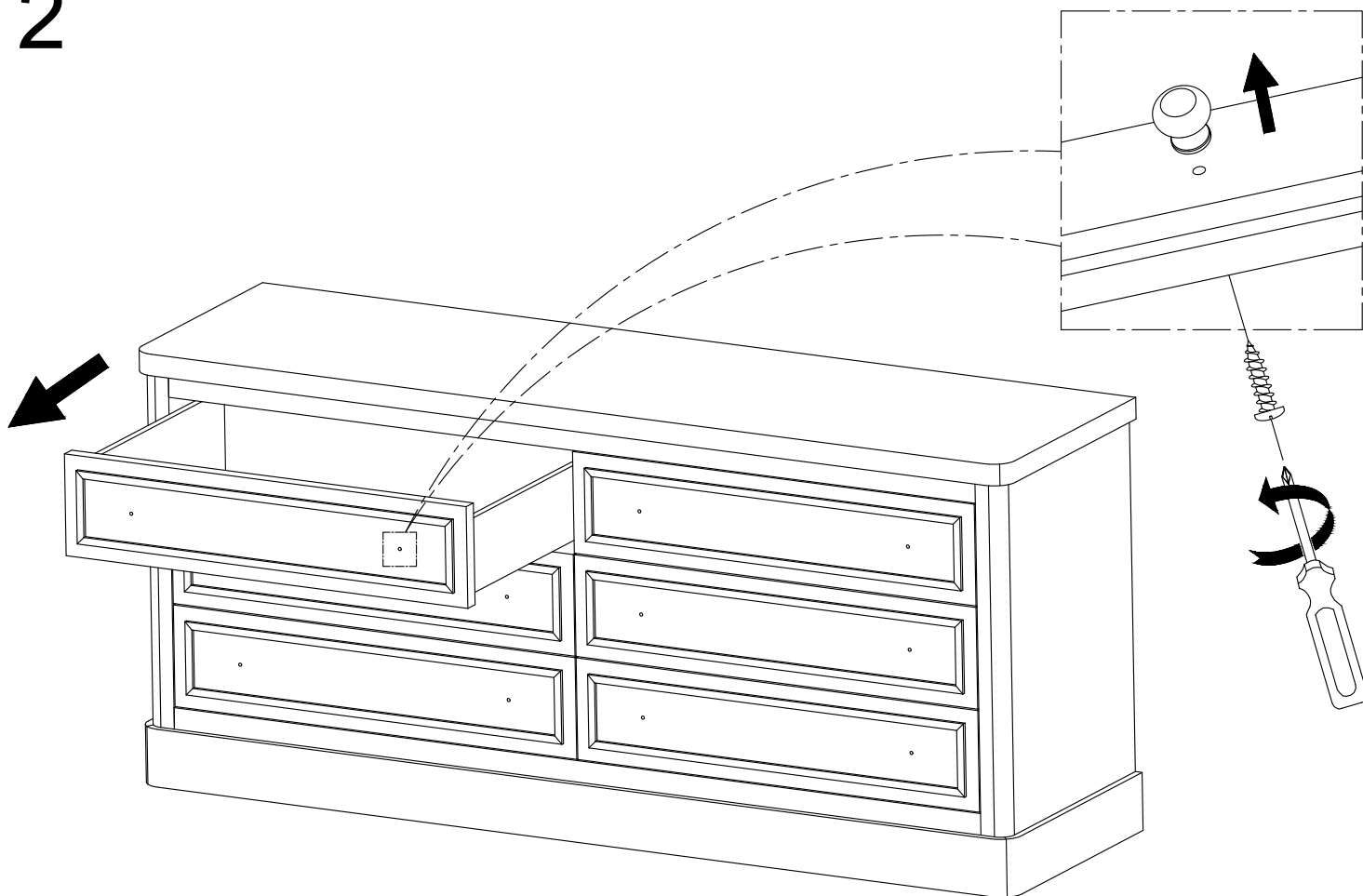


1

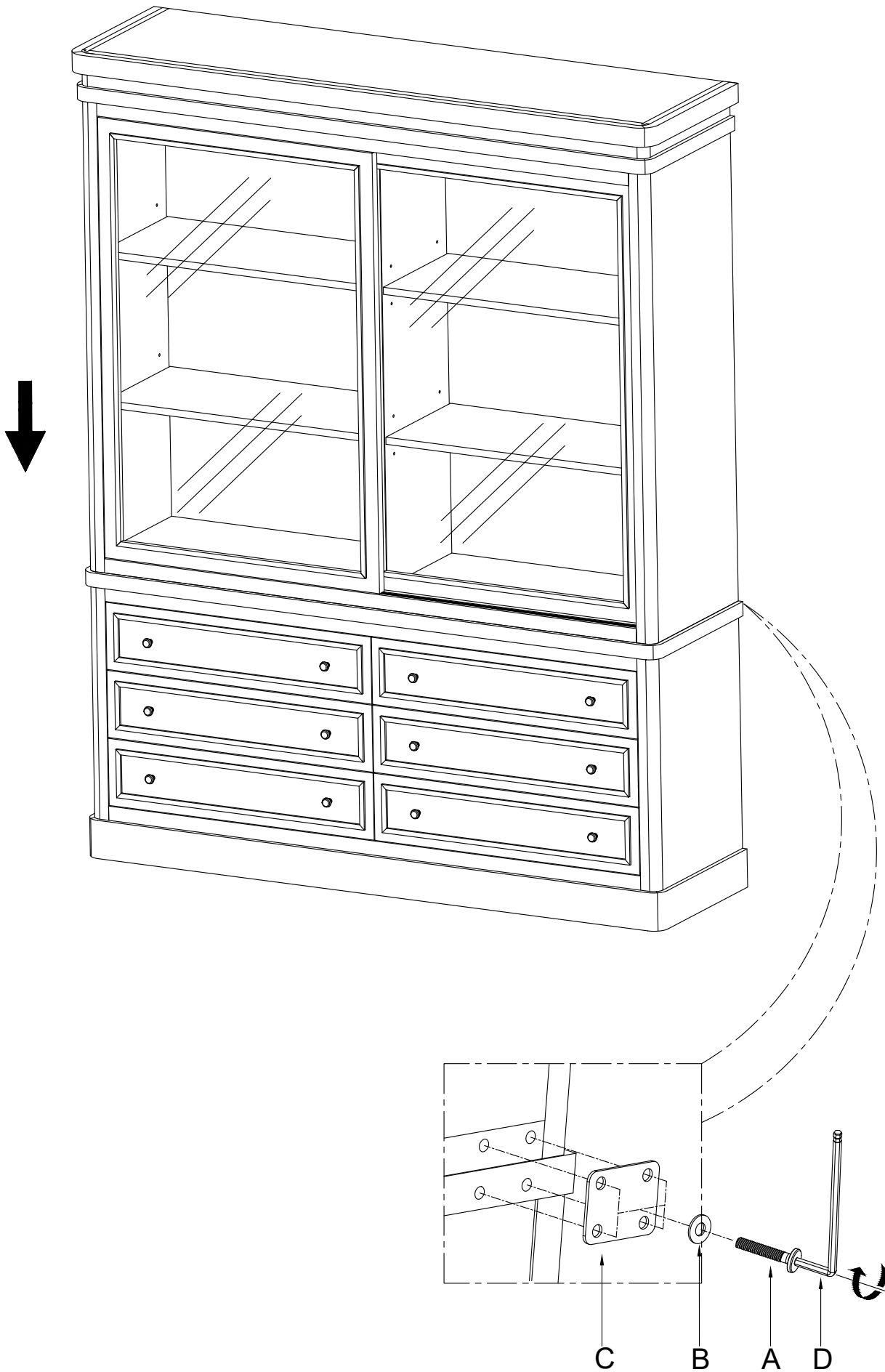
1



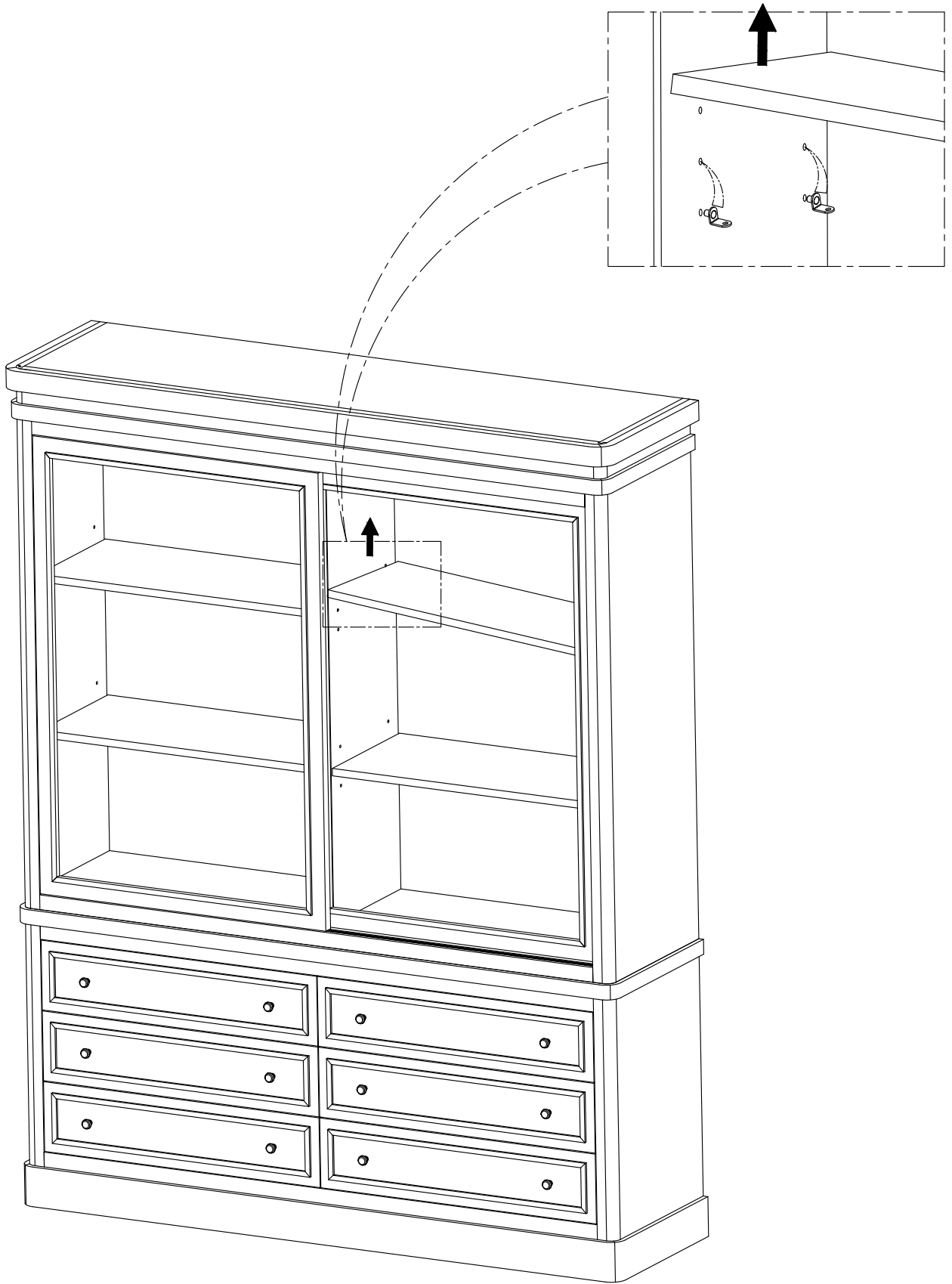
2



3

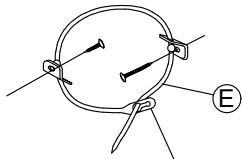


4



5

Tipping Hardware



Tipping Hardware

