

NOTICE

- * Please make sure that you have all parts indicated and they are in good condition before you begin assembly of this item. Refer to part list and hardware list below for guidance.
- * This item should be assembled on a soft surface to prevent scratching the finish during assembly.
- * This item may require periodic tightening.
- * If you are having difficulty




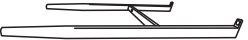



PREPARATION

- * Before beginning assembly of product, make sure all parts are present. Compare parts with part contents list and hardware contents list.
- * If any part is missing or damaged, do not attempt to assemble the product.
- * Estimated Assembly Time: 10 minutes.
- * Tools Required for Assembly (included): Allen Key

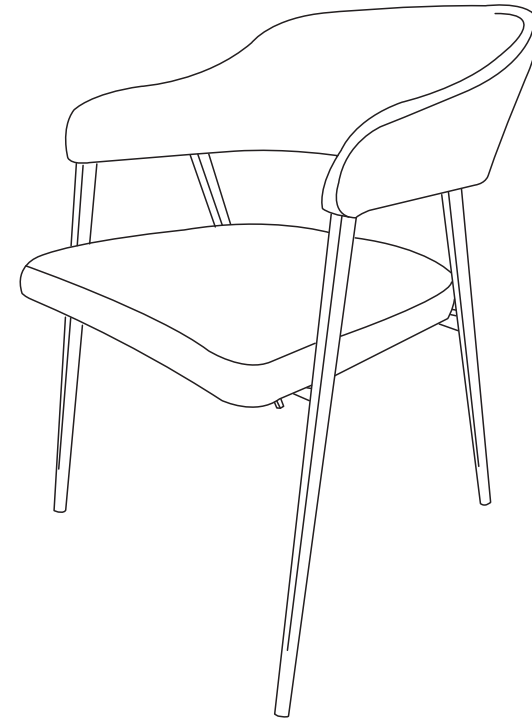
CARE AND MAINTENANCE

Dust regularly with small brush or vacuum. Spills should be taken care of immediately before they harden or stain, by wiping with a soft, damp cloth. Do not rinse with high pressure hose. Use a sponge with mild detergent and warm water to remove hard stain or soil. Allow it air dry completely in a shady spot before re-using.

Part List and Hardware List

PIECE	DESCRIPTION	PICTURE	QUANTITY
A	Backrest		1X
B	Seat pad		1X
C	Chair leg front part		1X
D	Chair leg back part		1X
HW1	Socket screw 6x0.5x45 MM		4X
HW2	Socket screw 6x0.5x35 MM		4X
HW3	Allen key		1X

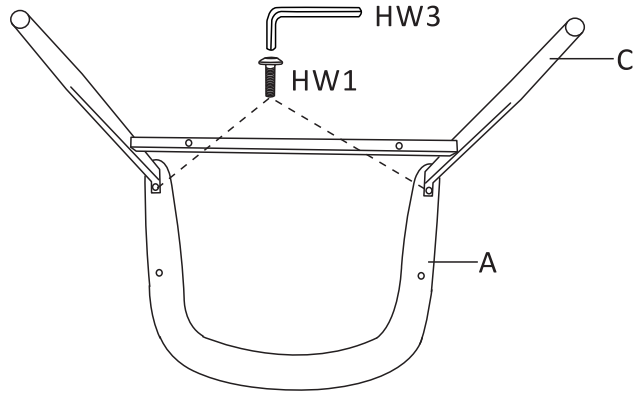
Product Dimensions: 22"Wx22"Dx30.7"H



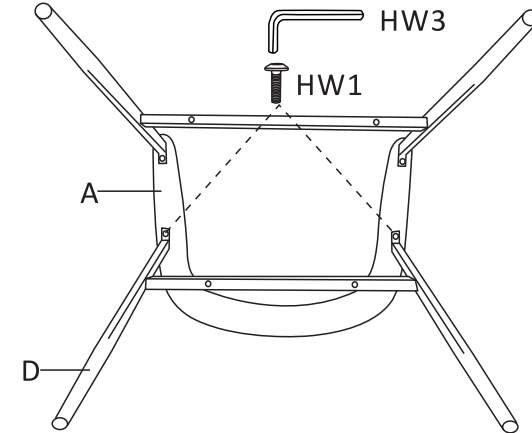
Weight Capacity - 275 LBS
Warning: Do not stand on Chair
Warning: Do not over torque bolts.

PREPARATION

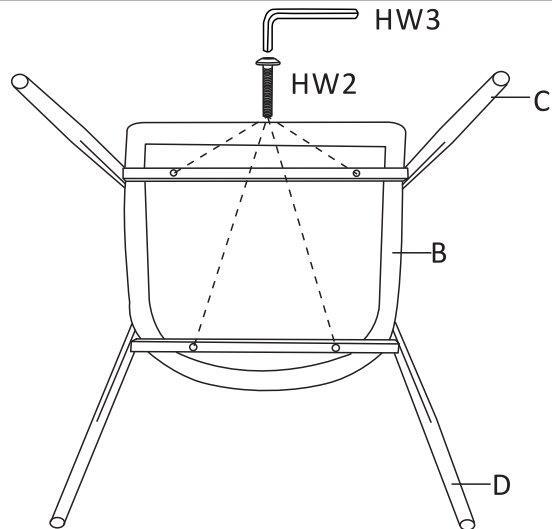
- * Before beginning assembly of product, make sure all parts are present. Compare parts with part contents list and hardware contents list.
- * If any part is missing or damaged, do not attempt to assemble the product.
- * Estimated Assembly Time: 10 minutes.
- * Tools Required for Assembly (included): Allen Key
- * If you are having difficulty



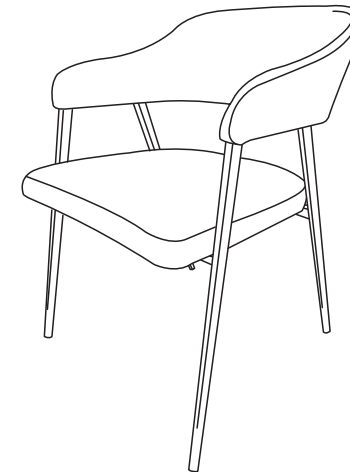
STEP 1: SCREW IN THE BOLTS TO ASSEMBLE CHAIR LEG FRONT PART (C) AND BACKREST (A). TIGHTEN BOLTS TO 80% MAX ONLY



STEP 2: SCREW IN THE BOLTS TO ASSEMBLE CHAIR LEG BACK PART (D) AND BACKREST (A). TIGHTEN BOLTS TO 80% MAX ONLY



STEP 3: SCREW IN THE BOLTS TO ASSEMBLE SEAT PAD (B) AND CHAIR LEGS (C/D). TIGHTEN THE 4 BOLTS TO 100% WHEN ALL IN CORRECT HOLES.



STEP 4: PUT THE CHAIR UPRIGHT AND MAKE SURE IT IS LEVEL. THEN TIGHTEN ALL BOLTS.