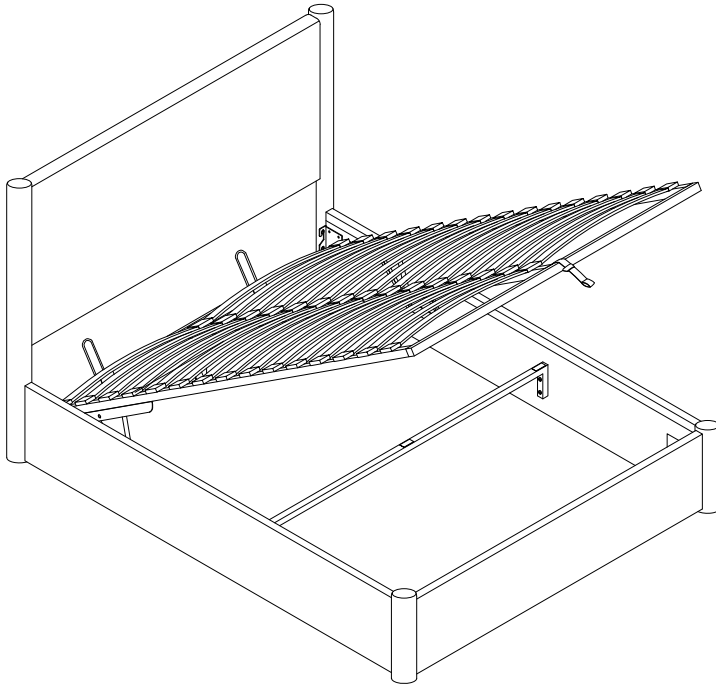


ASSEMBLY INSTRUCTION



Please **TEAR OFF** this shrink film from side!
DO NOT USE CUTTER!

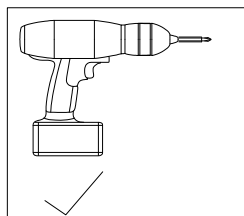
ITEM NUMBER: BH015

IMPORTANT NOTE

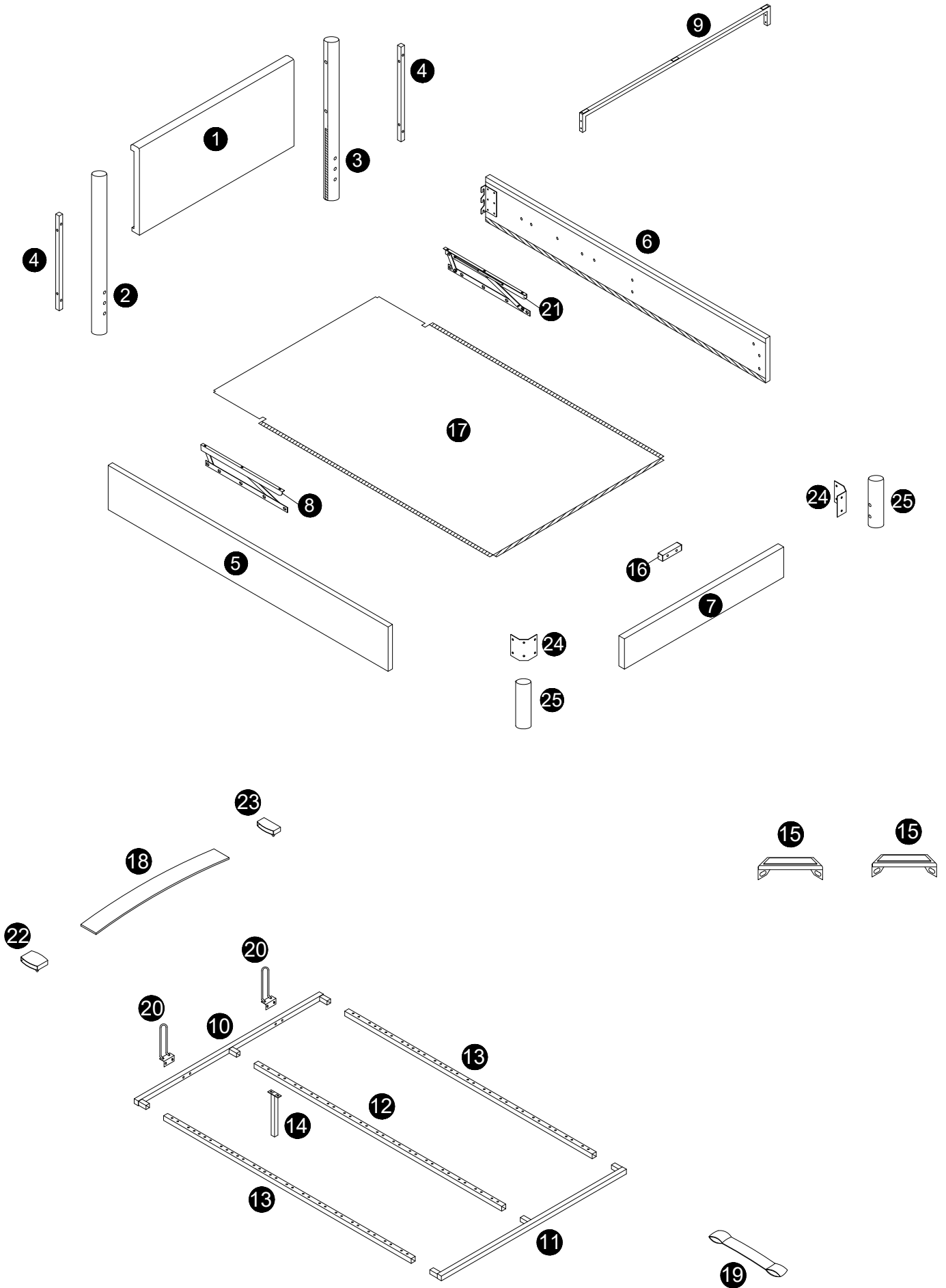
1. For the protection of your furniture, place all parts on a clean and smooth surface to prevent any damage.
2. Keep fittings out of children's reach and keep children well away from construction area.
3. When moving your assembled bed. it is best to lift the bed and never to drag it.
4. Do not use this product if parts are missing, damaged or worn.
5. This product should only be used on firm, level ground.
6. Please periodically check all fittings and re-tighten as necessary.
7. Do not use the bed unless all bolts and screws are firmly secured.
8. For further assistance, please provide a screenshot of your order and contact us via email at support@velocavabed.com



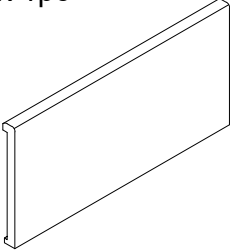


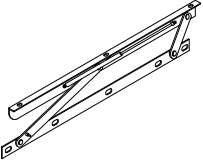
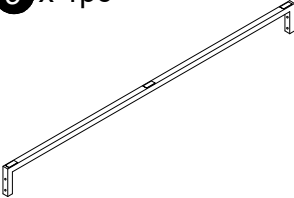
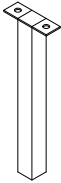

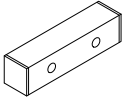
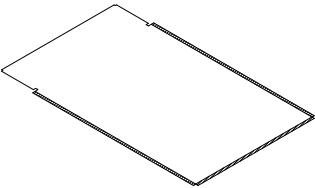
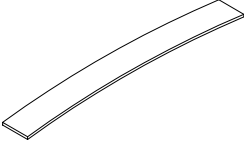
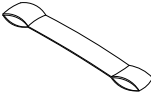

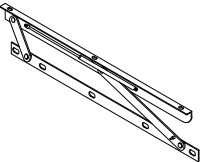
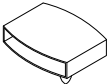
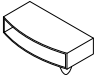
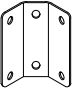
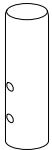
Minimum two
person assembly




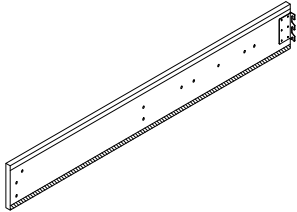
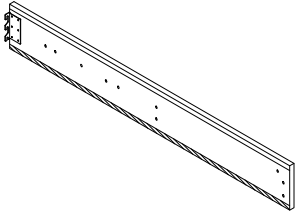
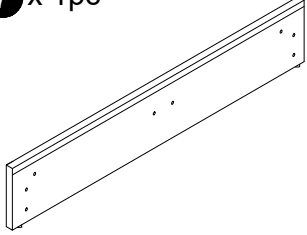
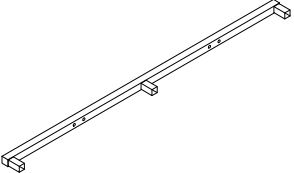
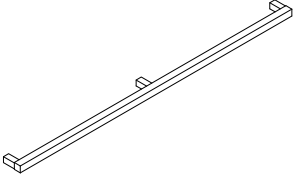
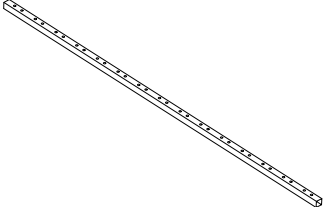
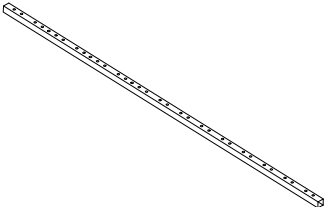
PART LIST



Components of Carton A


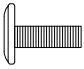



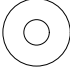


<p>1 x 1pc</p> 	<p>2 x 1pc</p> 	<p>3 x 1pc</p> 	<p>8 x 1pc</p> 
<p>9 x 1pc</p> 	<p>14 x 1pc (25x210mm)</p> 	<p>15 x 2pcs</p> 	<p>16 x 1pc</p> 
<p>17 x 1pc</p> 	<p>18 Full Size x 28pcs Queen Size x 30pcs</p> 	<p>19 x 1pc</p> 	<p>20 x 2pcs</p> 
<p>21 x 1pc</p> 	<p>22 Full Size x 14pcs Queen Size x 15pcs</p> 	<p>23 Full Size x 28pcs Queen Size x 30pcs</p> 	<p>24 x 2pcs</p> 
<p>25 x 2pcs</p> 			

Components of Carton B

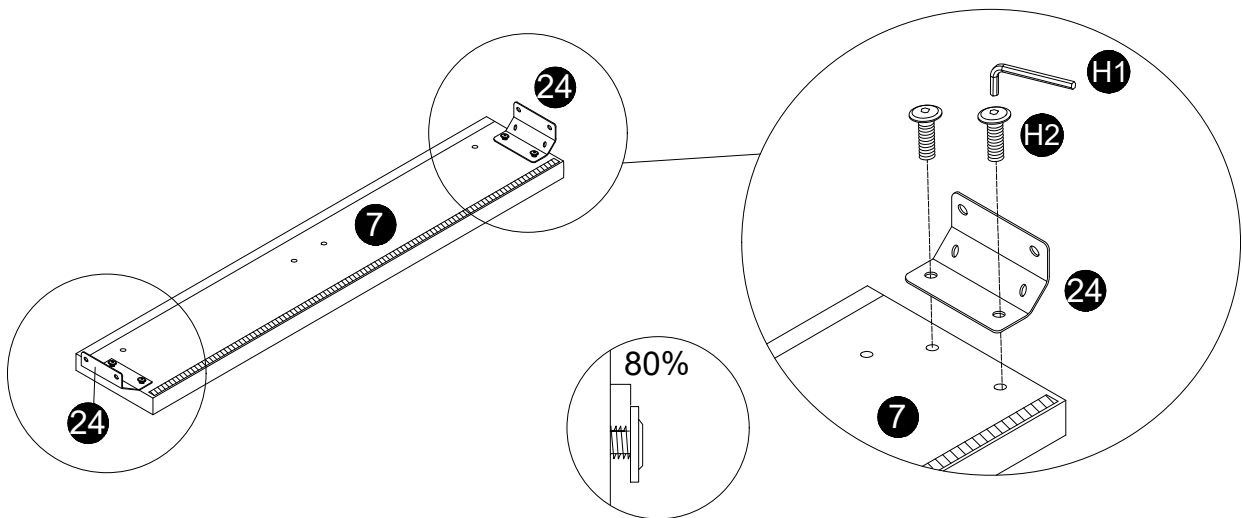
<p>4 x 2pcs</p> 	<p>5 x 1pc</p> 	<p>6 x 1pc</p> 	<p>7 x 1pc</p> 
<p>10 x 1pc</p> 	<p>11 x 1pc</p> 	<p>12 x 1pc</p> 	<p>13 x 2pcs</p> 

Please ensure to thoroughly inspect the small inner cardboard box containing the hardware, which are tied with a red string, before disposing of the box.

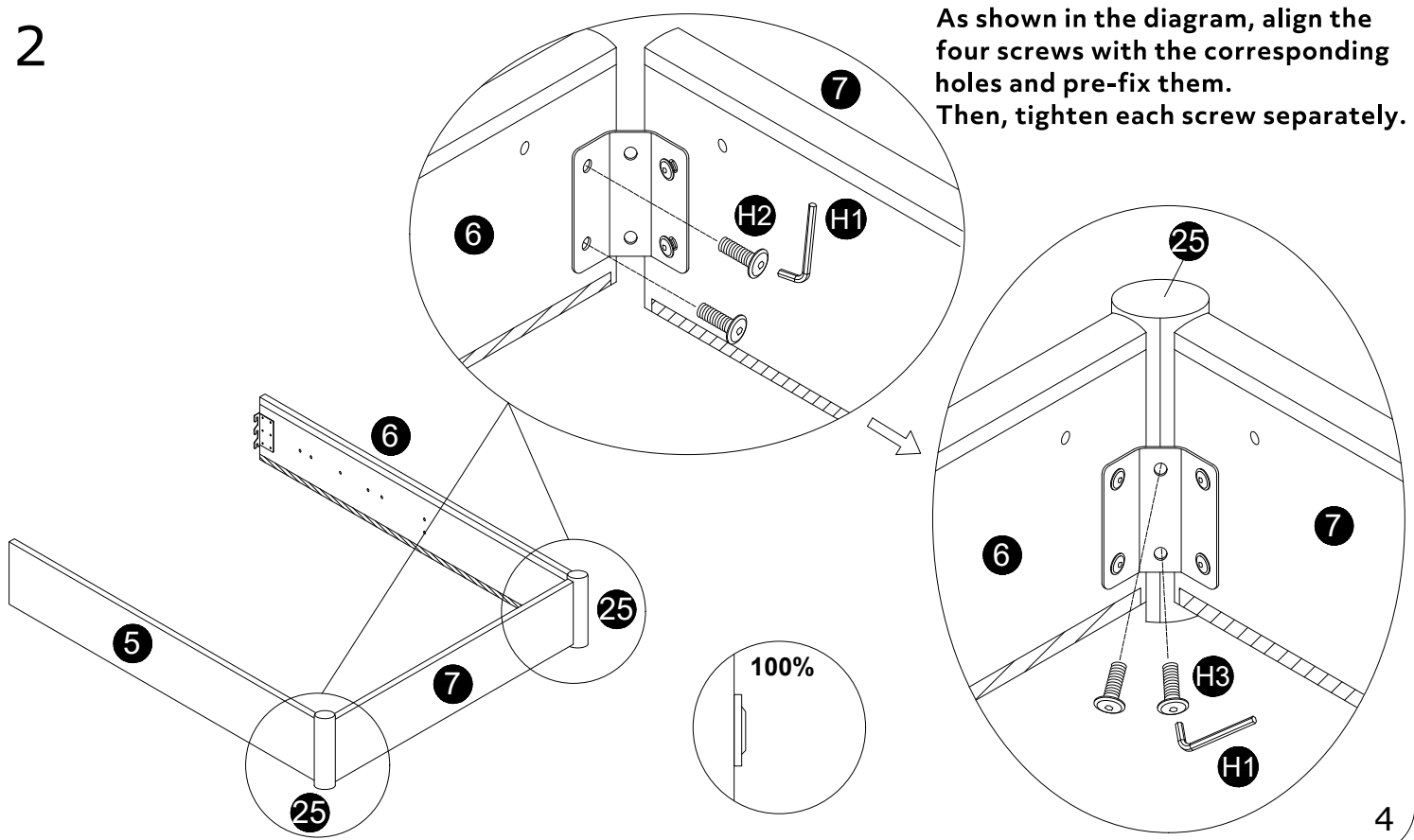
HARDWARE LIST

 <p>H1 M5 x 1pc</p>	 <p>H2 M8x25mm x 46pcs</p>	 <p>H3 M8x40mm x 12pcs</p>	 <p>H4 M8x50mm x 12pcs</p>
 <p>H5 M8 x 10pcs</p>	 <p>H6 M8x22mm x 10pcs</p>	 <p>H7 M8 x 6pcs</p>	 <p>H8 M14 x 1pc</p>

1

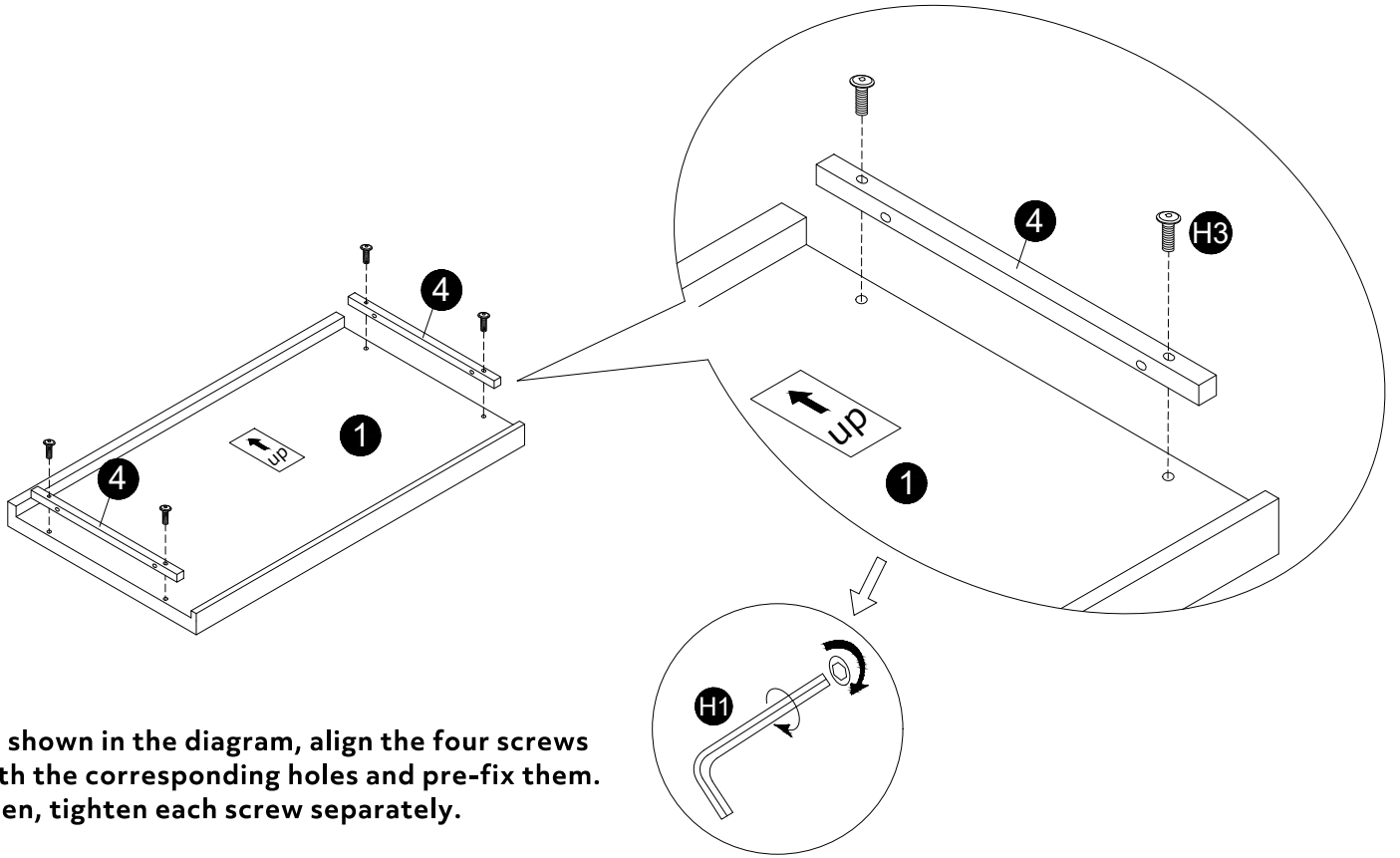


2



As shown in the diagram, align the four screws with the corresponding holes and pre-fix them. Then, tighten each screw separately.

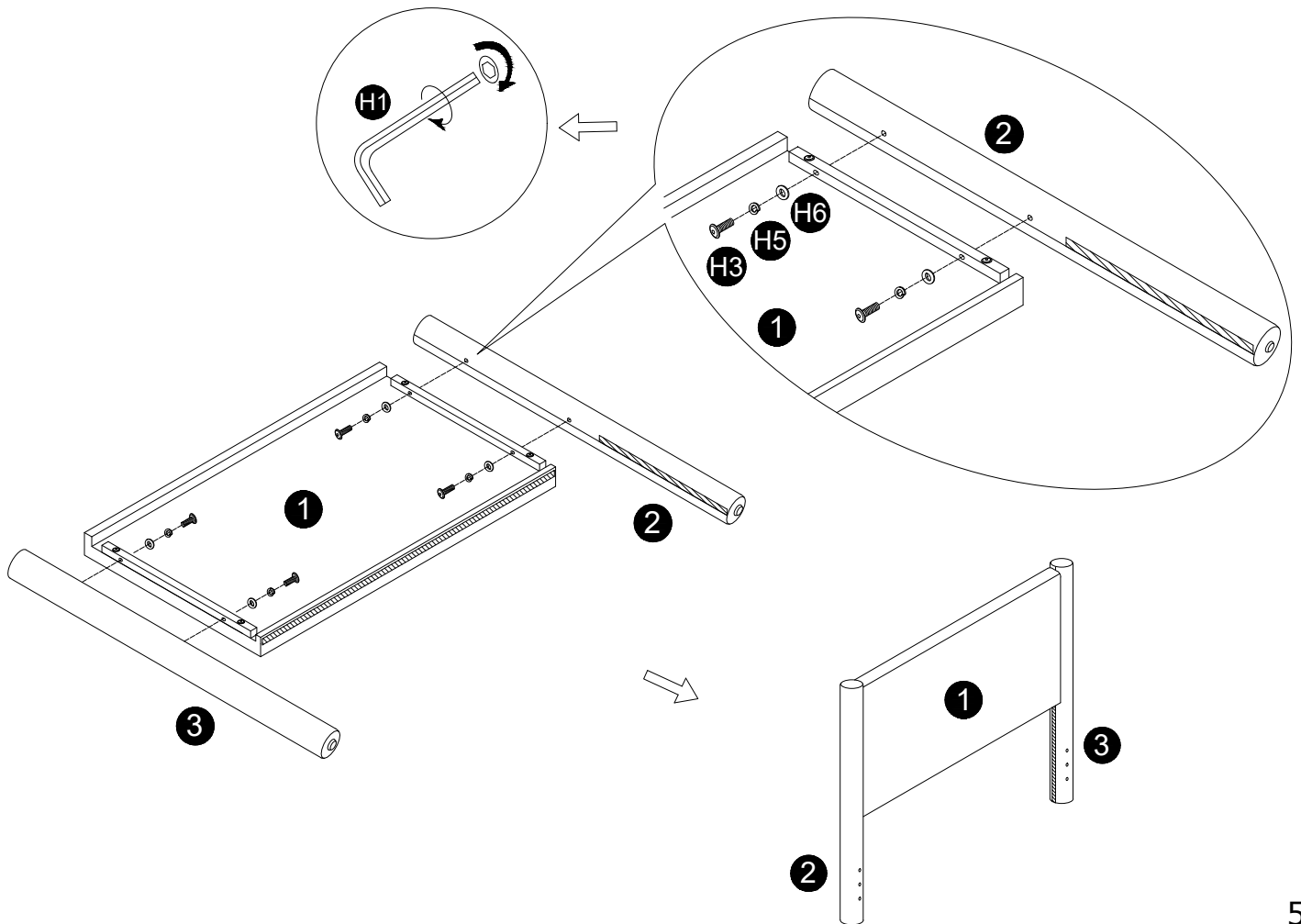
3



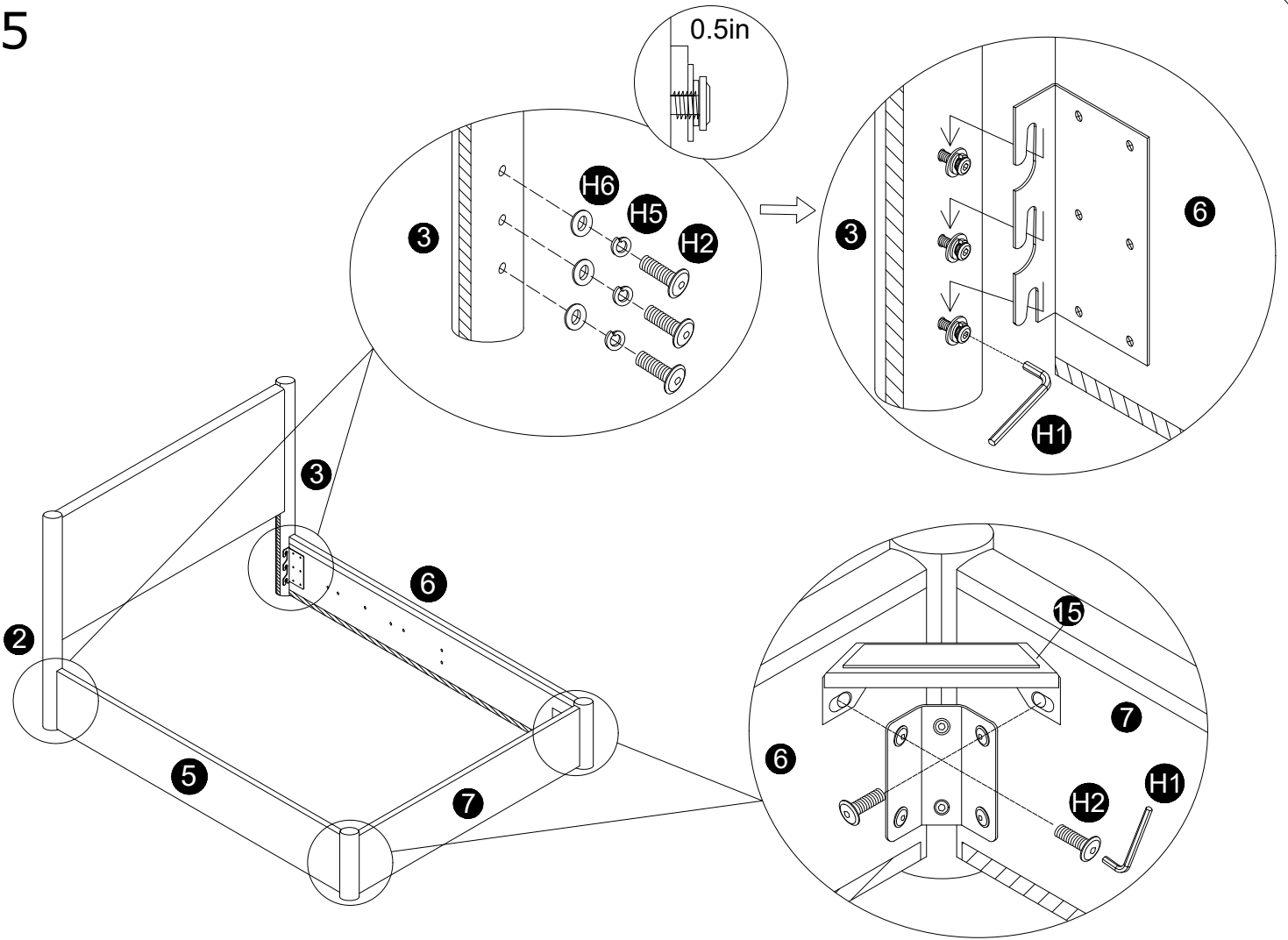
As shown in the diagram, align the four screws with the corresponding holes and pre-fix them. Then, tighten each screw separately.

4

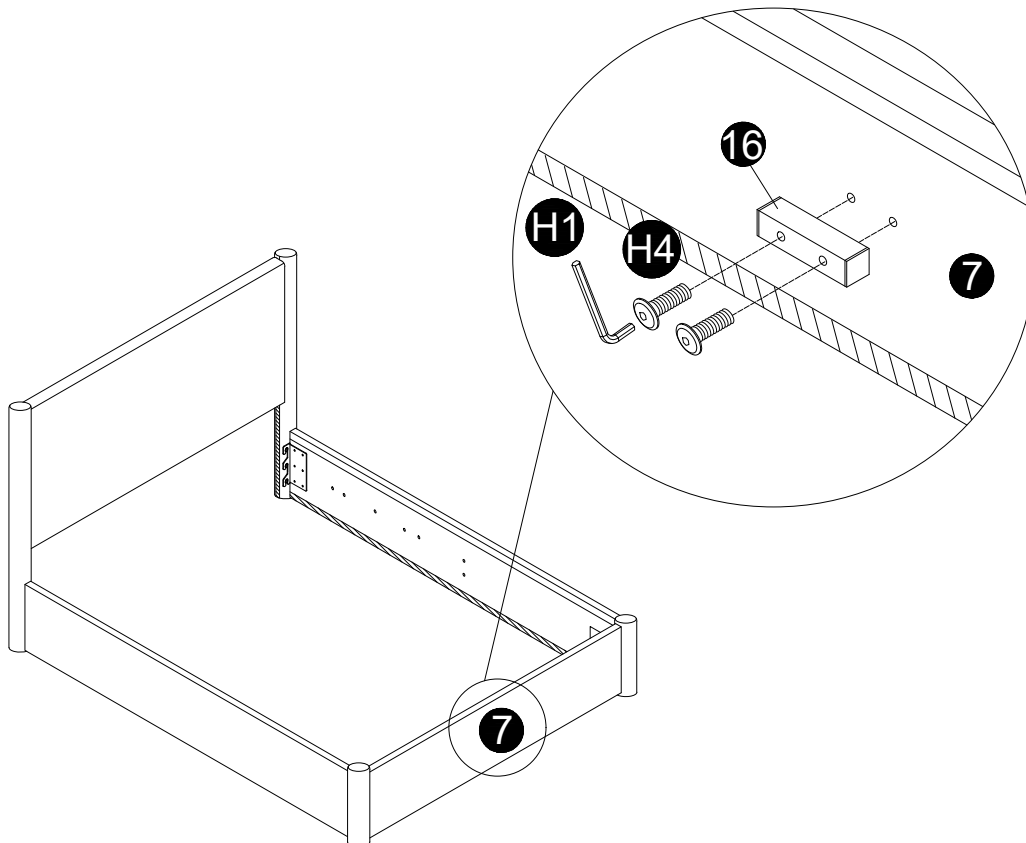
As shown in the diagram, align the four screws with the corresponding holes and pre-fix them. Then, tighten each screw separately.



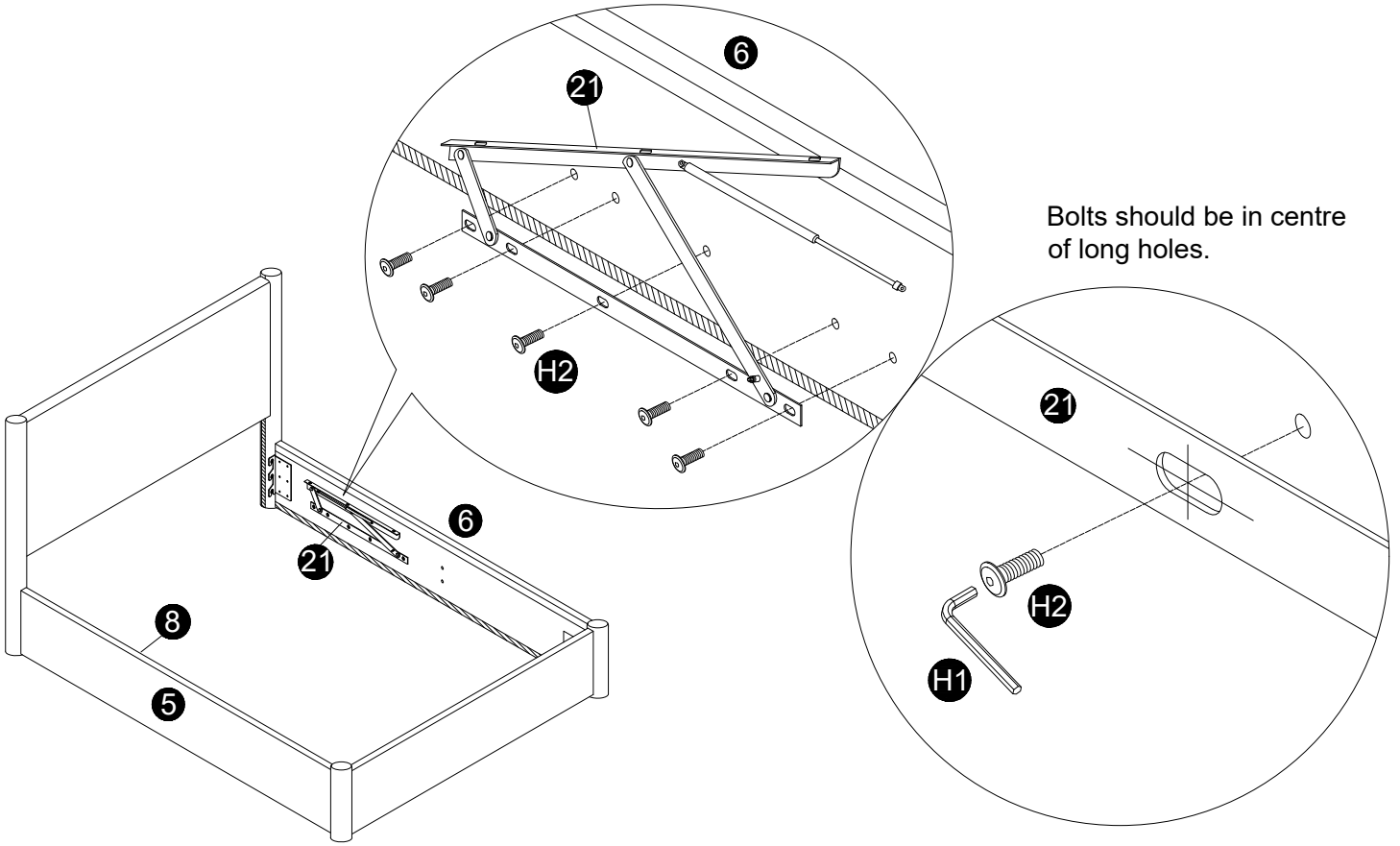
5



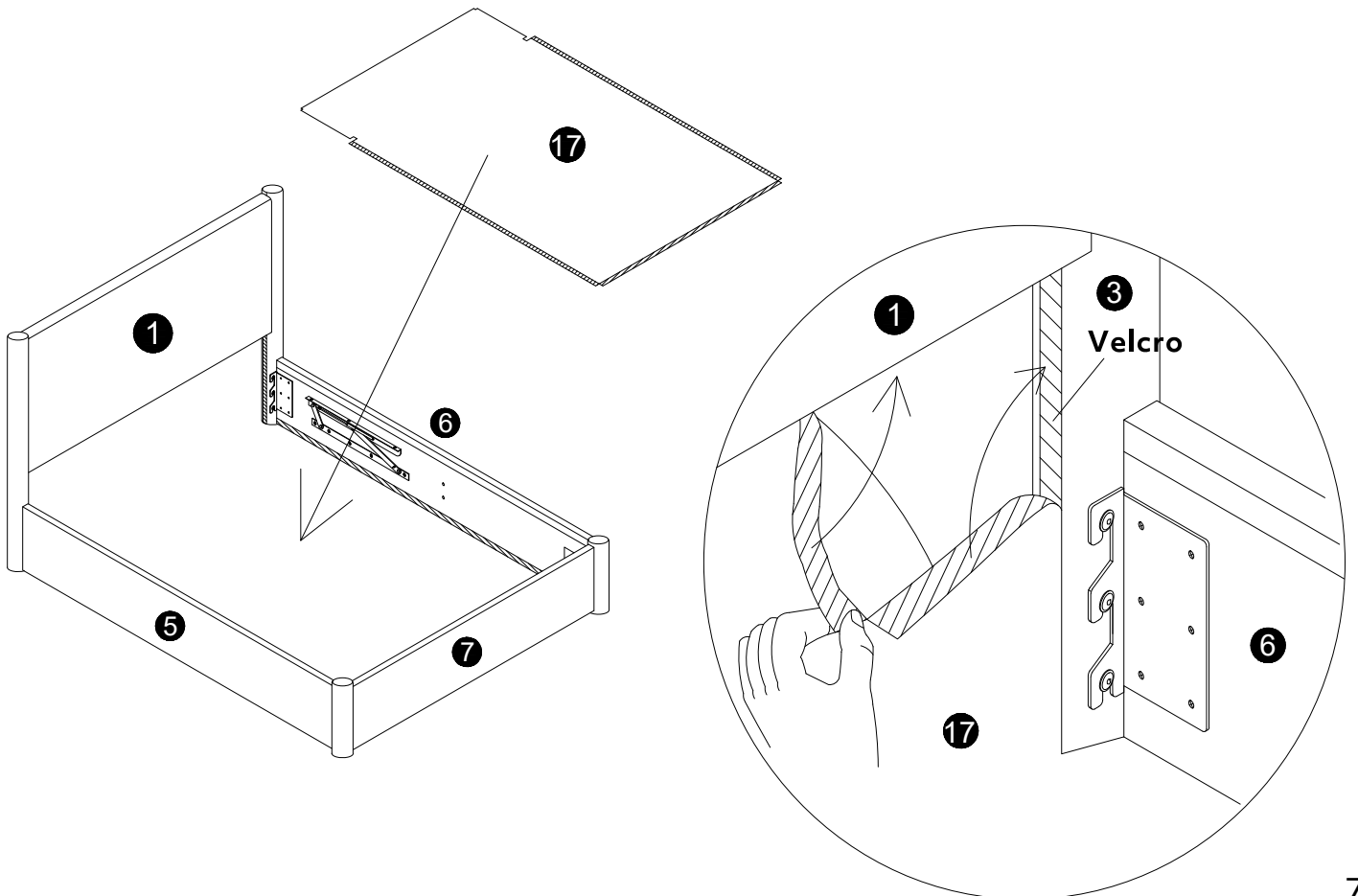
6



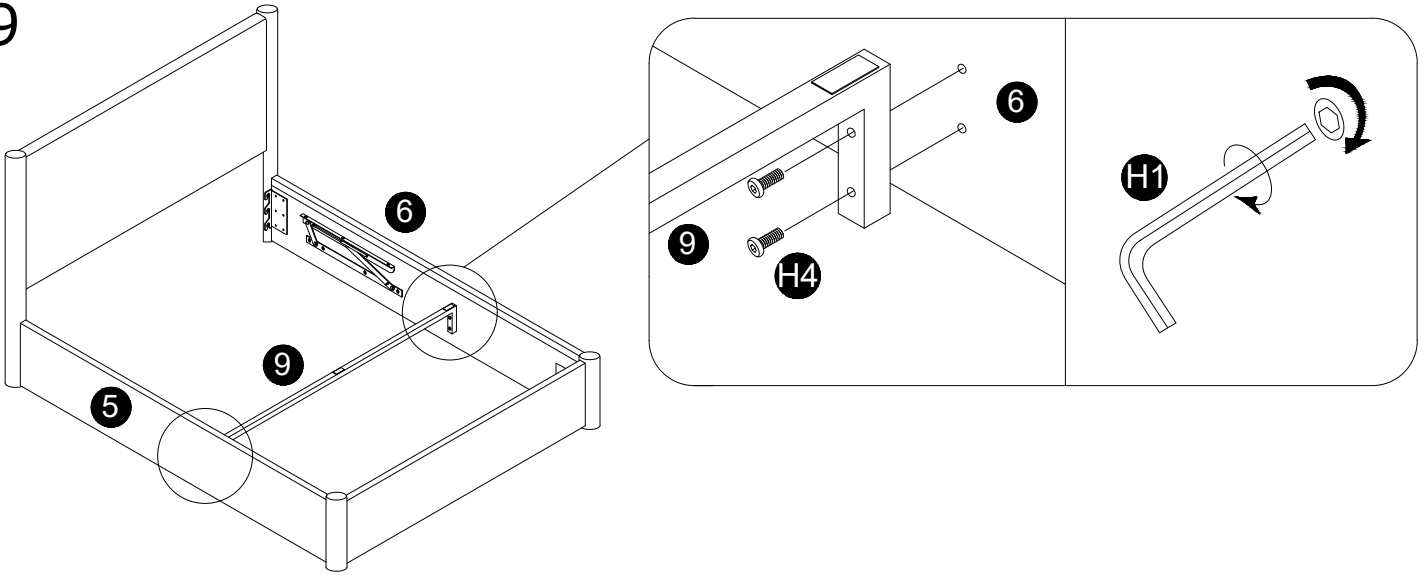
7



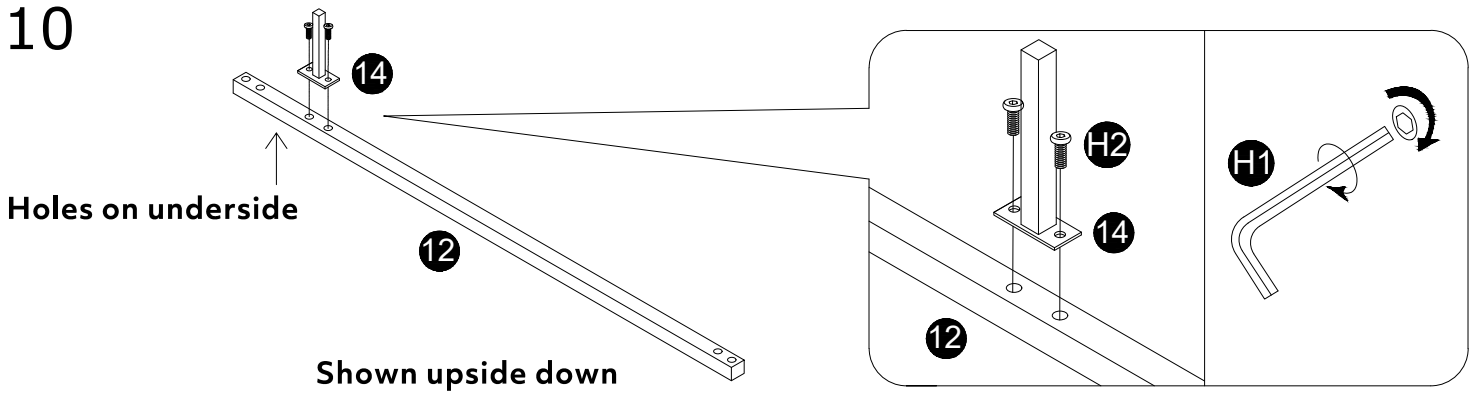
8



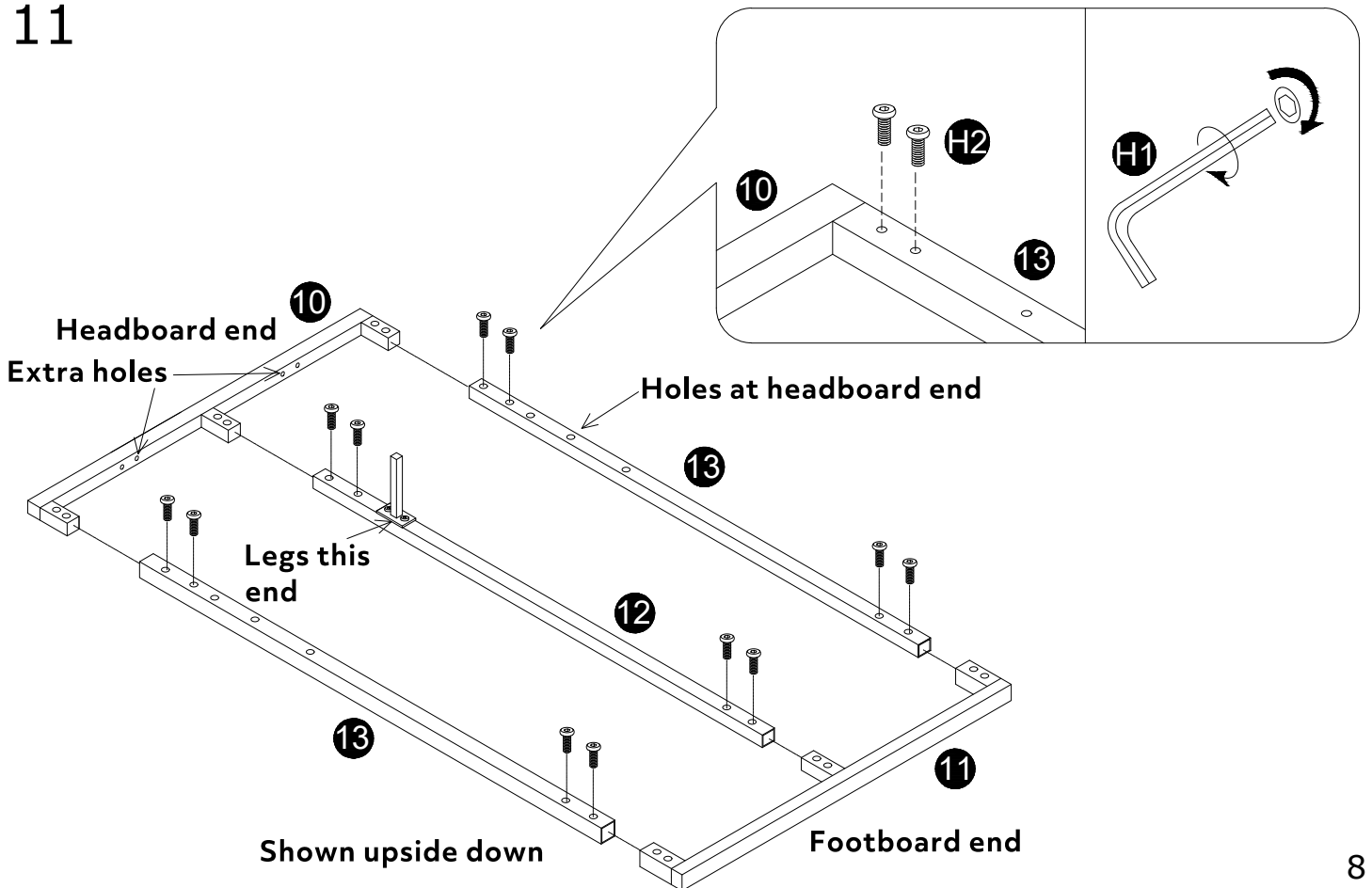
9



10

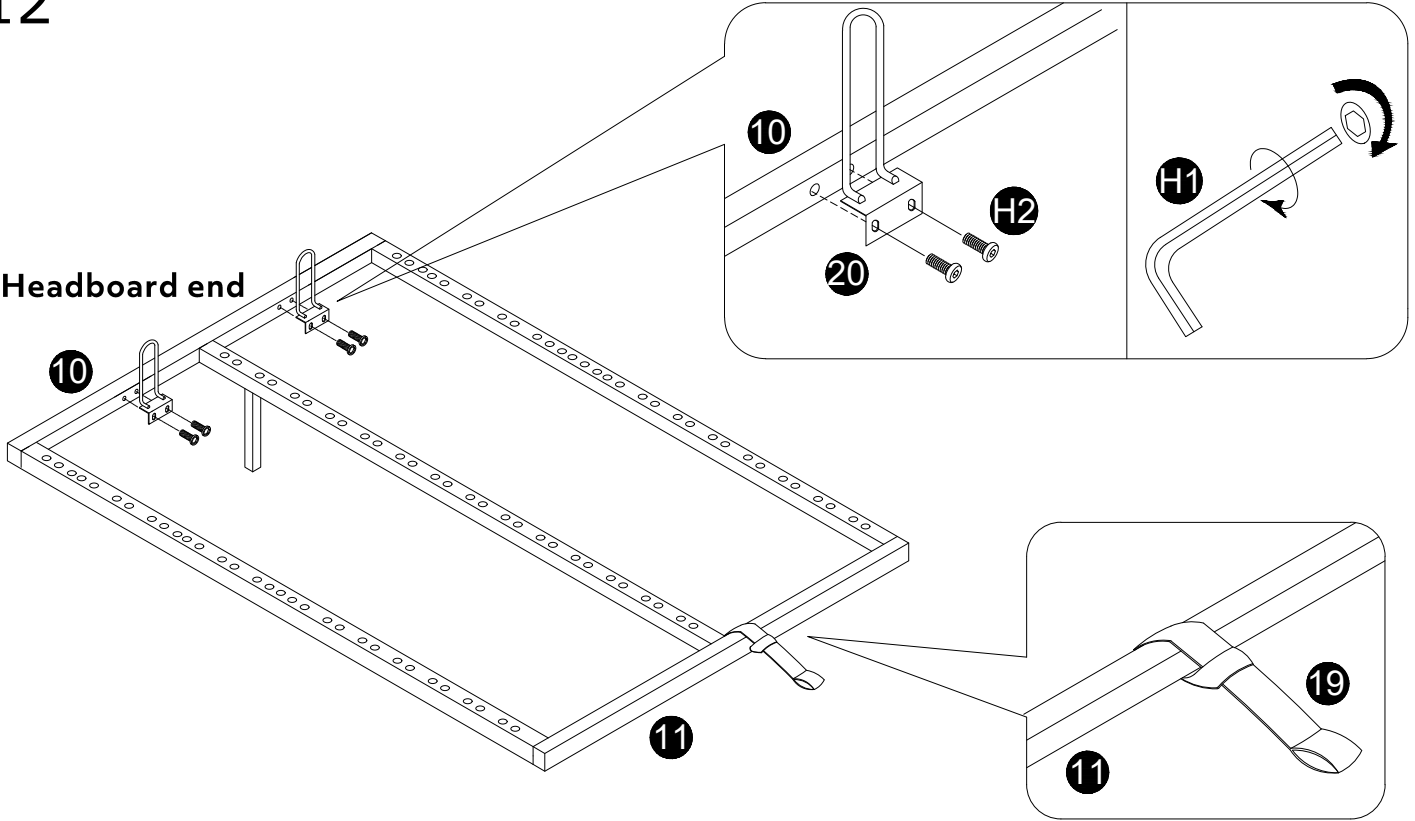


11

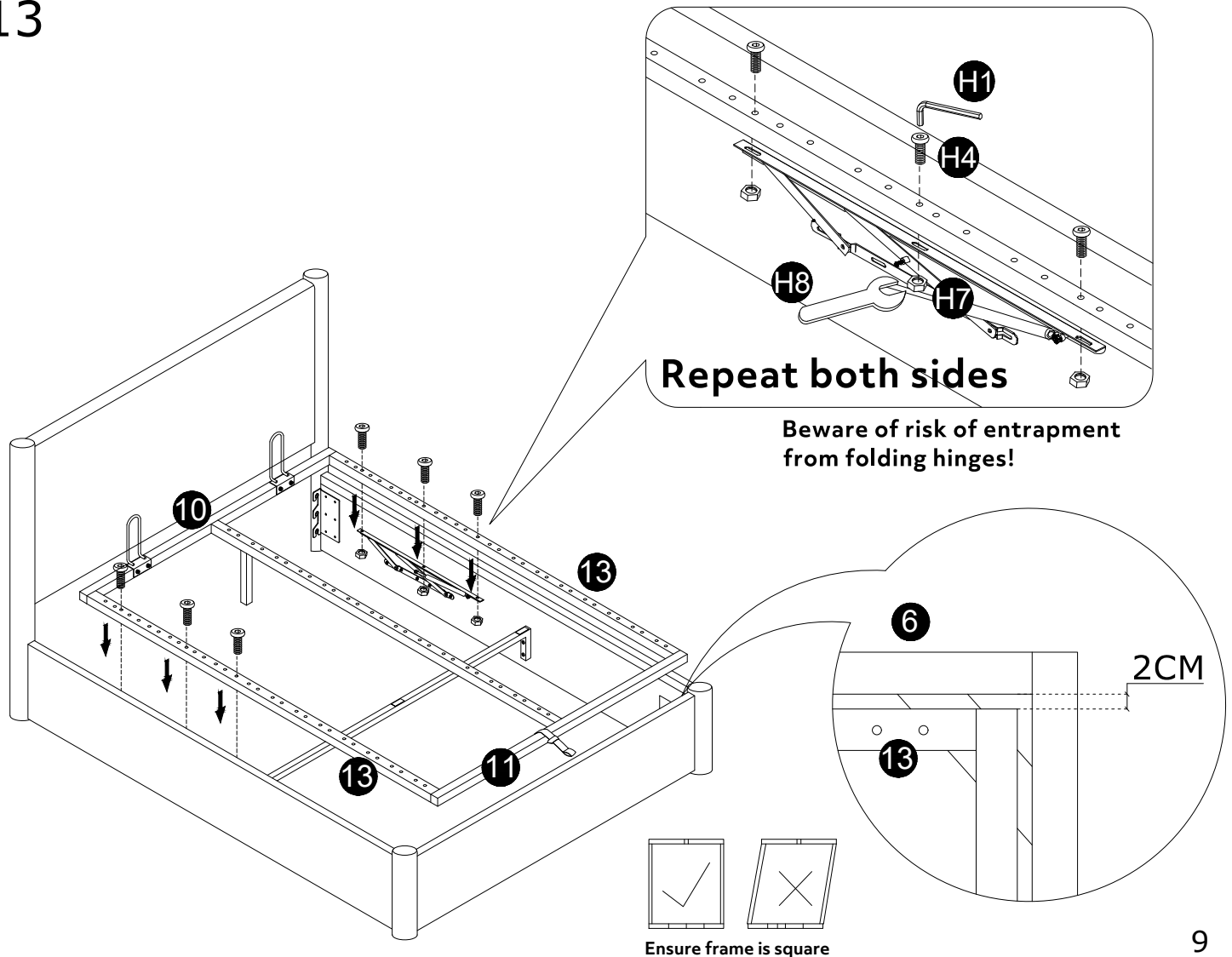


12

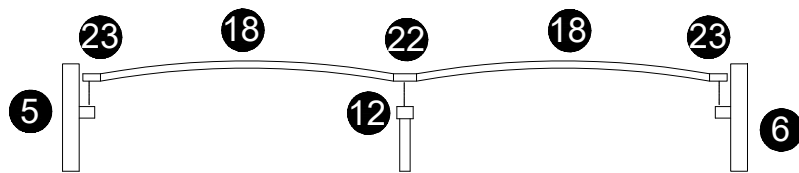
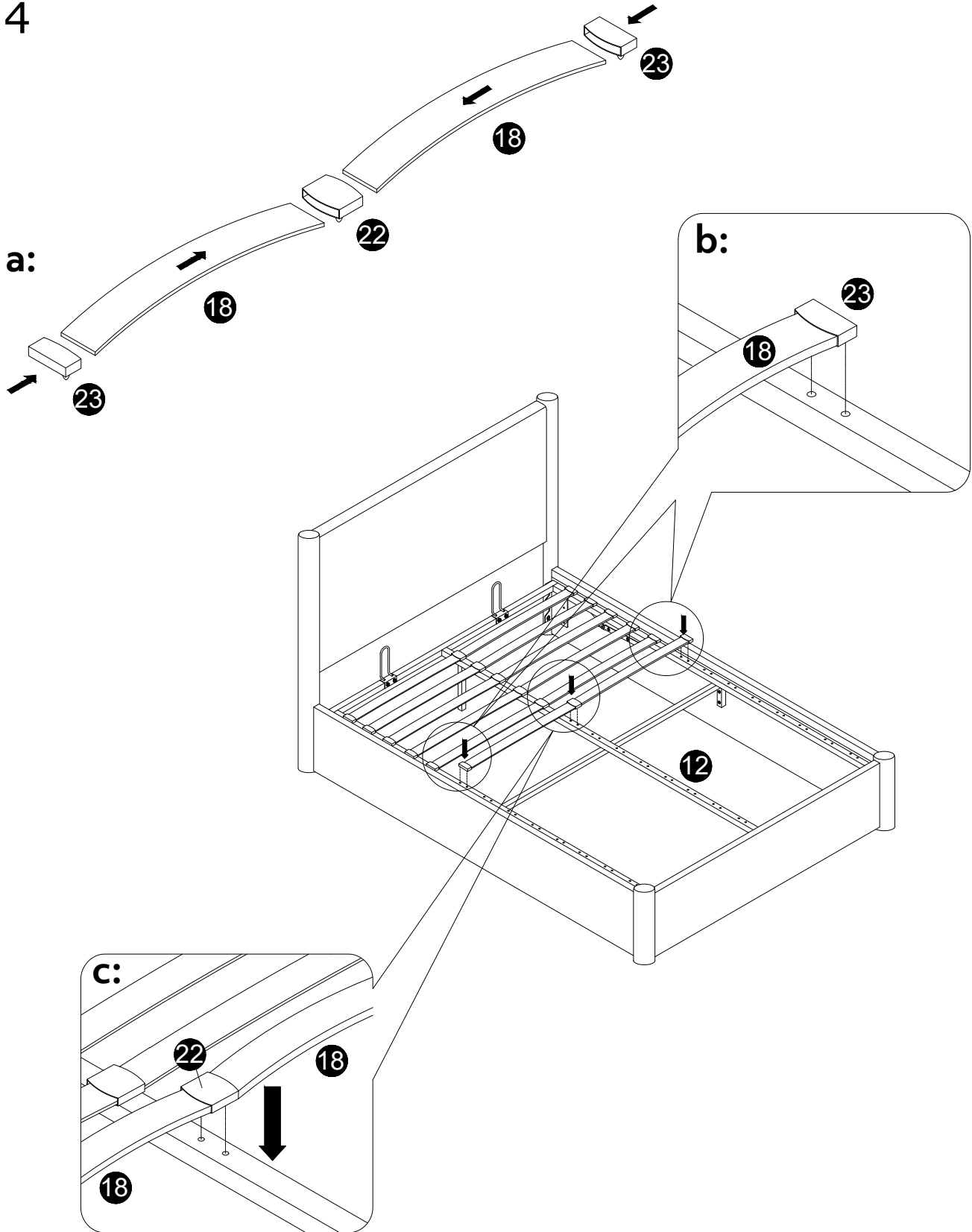
Headboard end



13



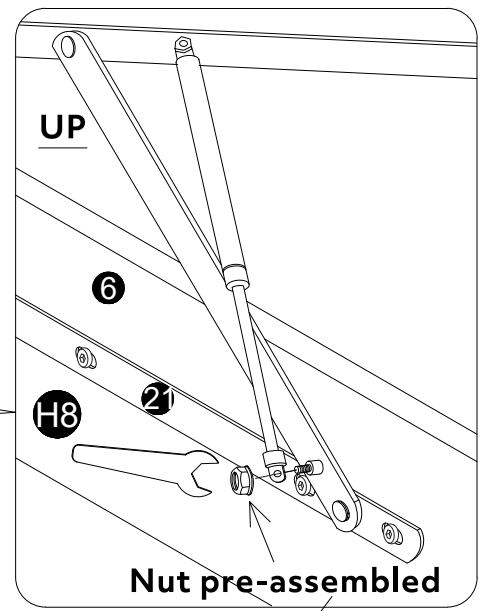
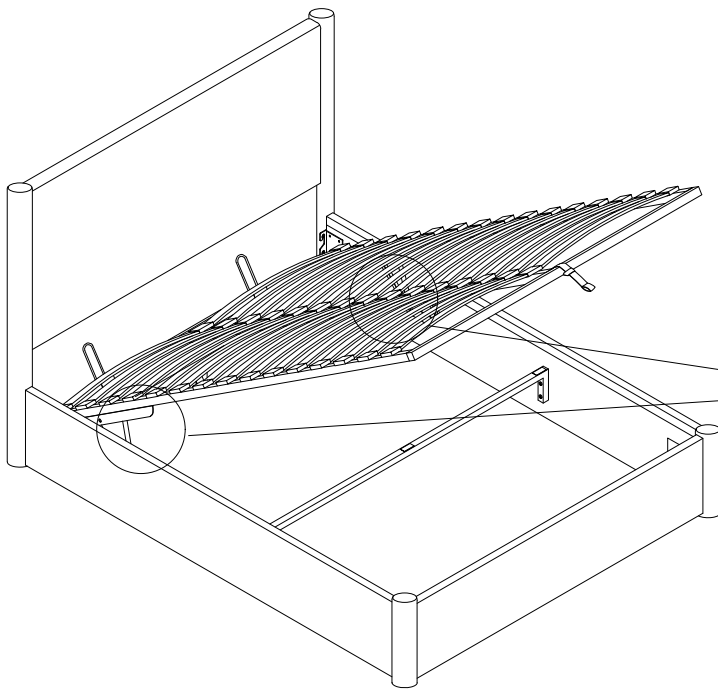
14



Slats to arch upwards

15

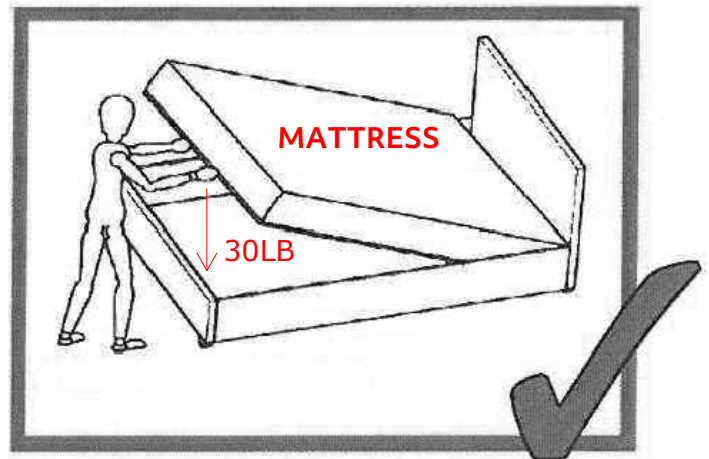
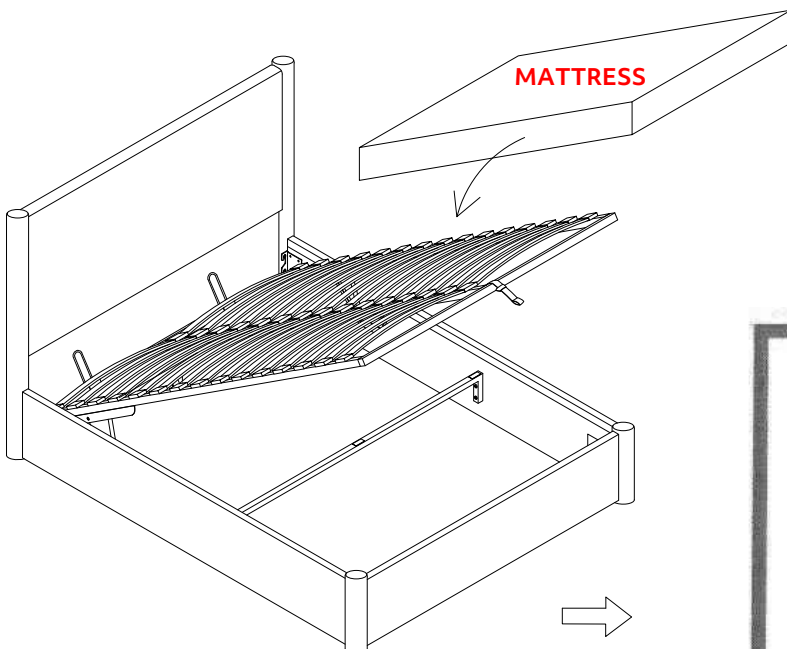
**Warning: Two people required.
Frame to be fully supported at all times!**



Repeat both sides

Important: Before proceeding, check and ensure all screws and fixings are fully tightened.

16



 **Place the mattress on frame & Carefully lower the frame down.
Keep objects/body part & children away from moving parts.**