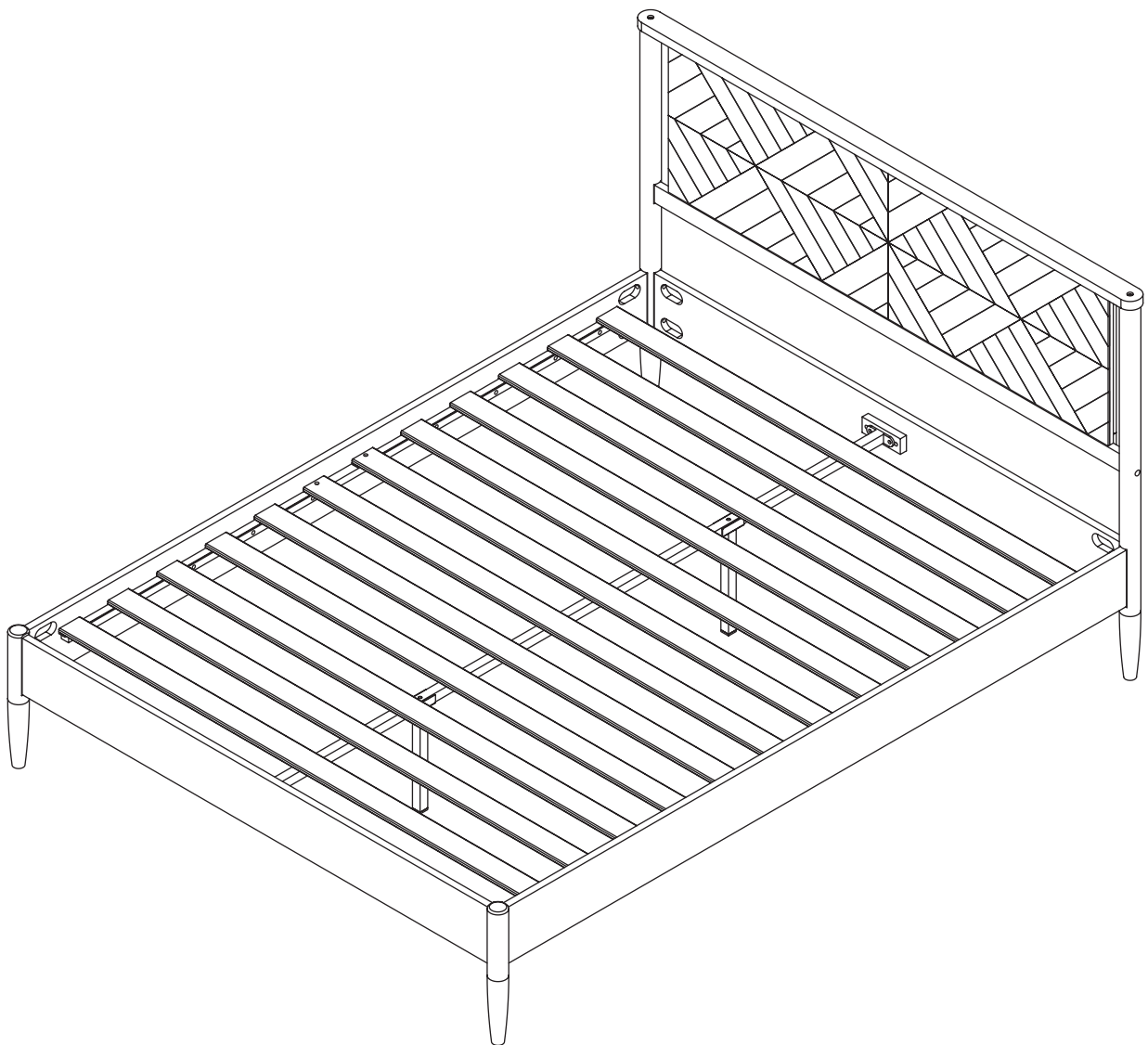


# ASSEMBLY INSTRUCTION

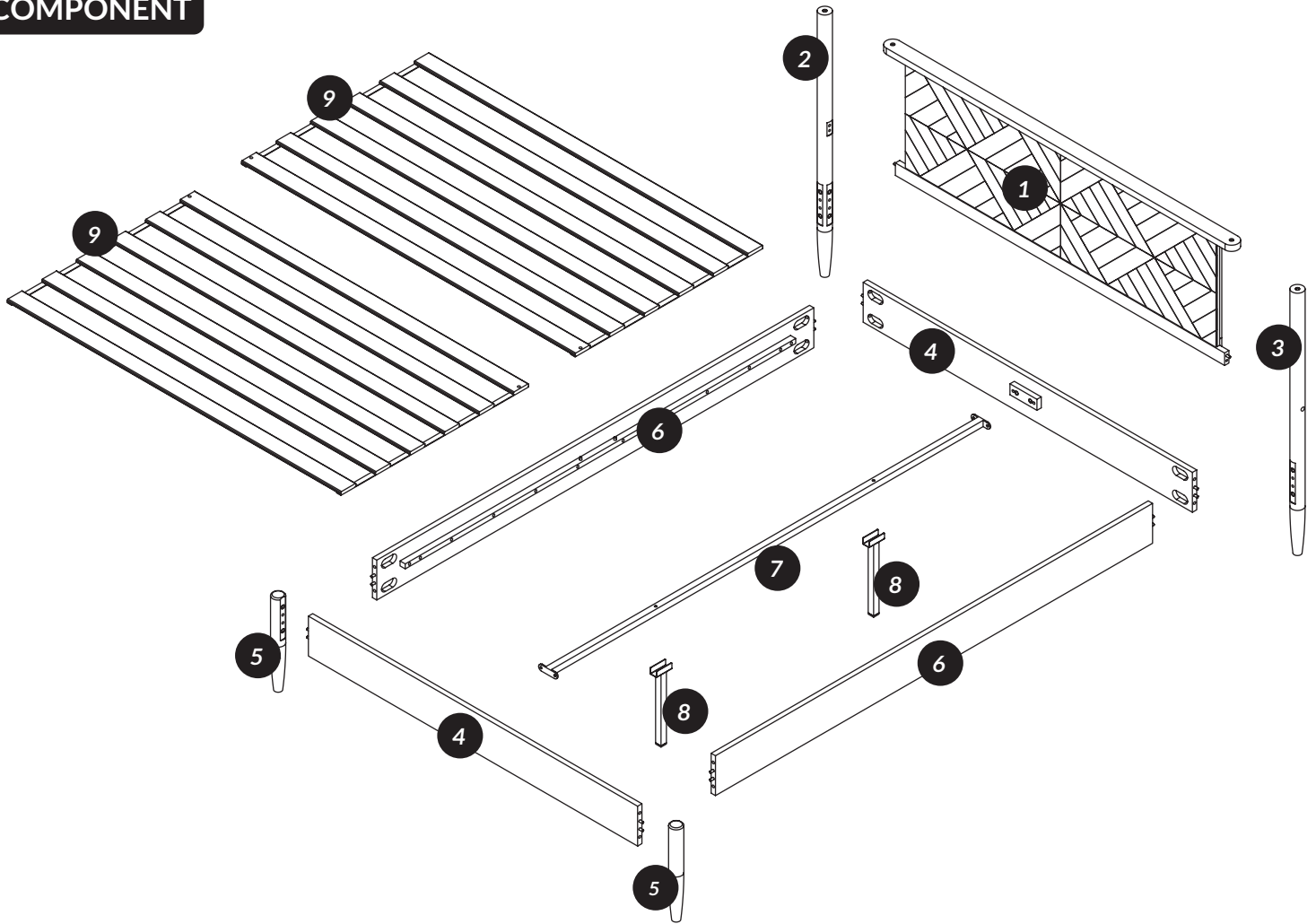
## BED FRAME KING/ QUEEN SIZE



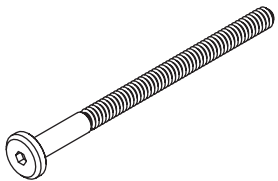
- Do NOT use a drill while assembling
- Assemble all parts on a soft surface

**R**ead these instructions carefully and keep for future reference. Refer to parts inventory for guidance, and ensure you have all pieces before starting.

## COMPONENT



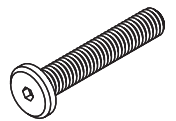
## HARDWARE



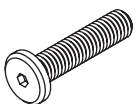
**a** M6 x 90 - 2 pcs



**b** Dowel Nut - 2 pcs



**c** M8 x 45 - 16 pcs



**d** M8 x 35 - 4 pcs



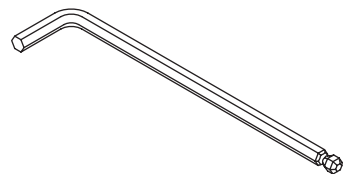
**e** M8 x 20 - 4 pcs



**f** 2 x Ø8.5 x Ø22 - 6 pcs



**g** Arc Washer - 16 pcs



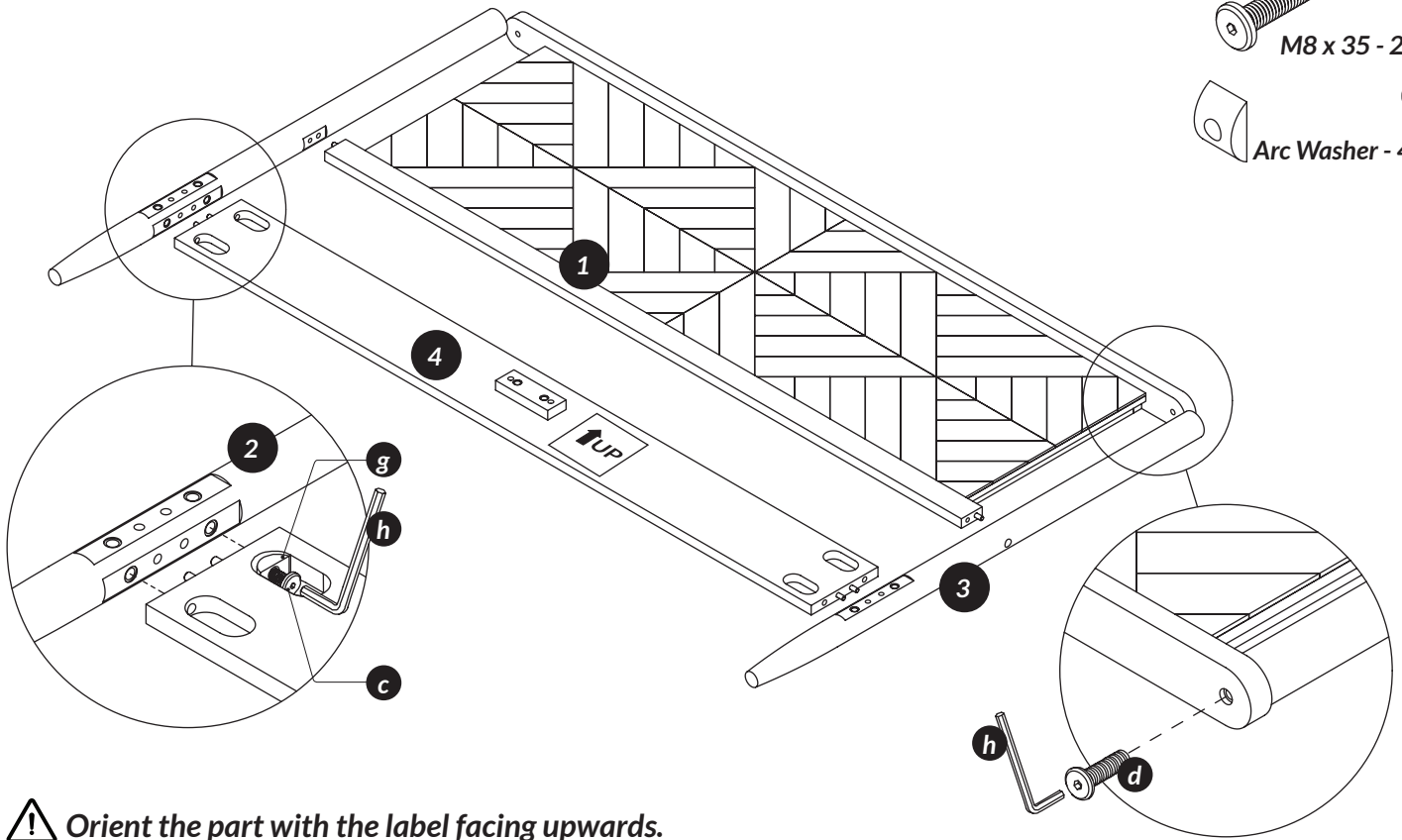
**h** Allen key - 1 pc

**STEP 1** Lay the panel face up on the ground before assembling.

**c**  
M8 x 45 - 4 pcs

**d**  
M8 x 35 - 2 pcs

**g**  
Arc Washer - 4 pcs

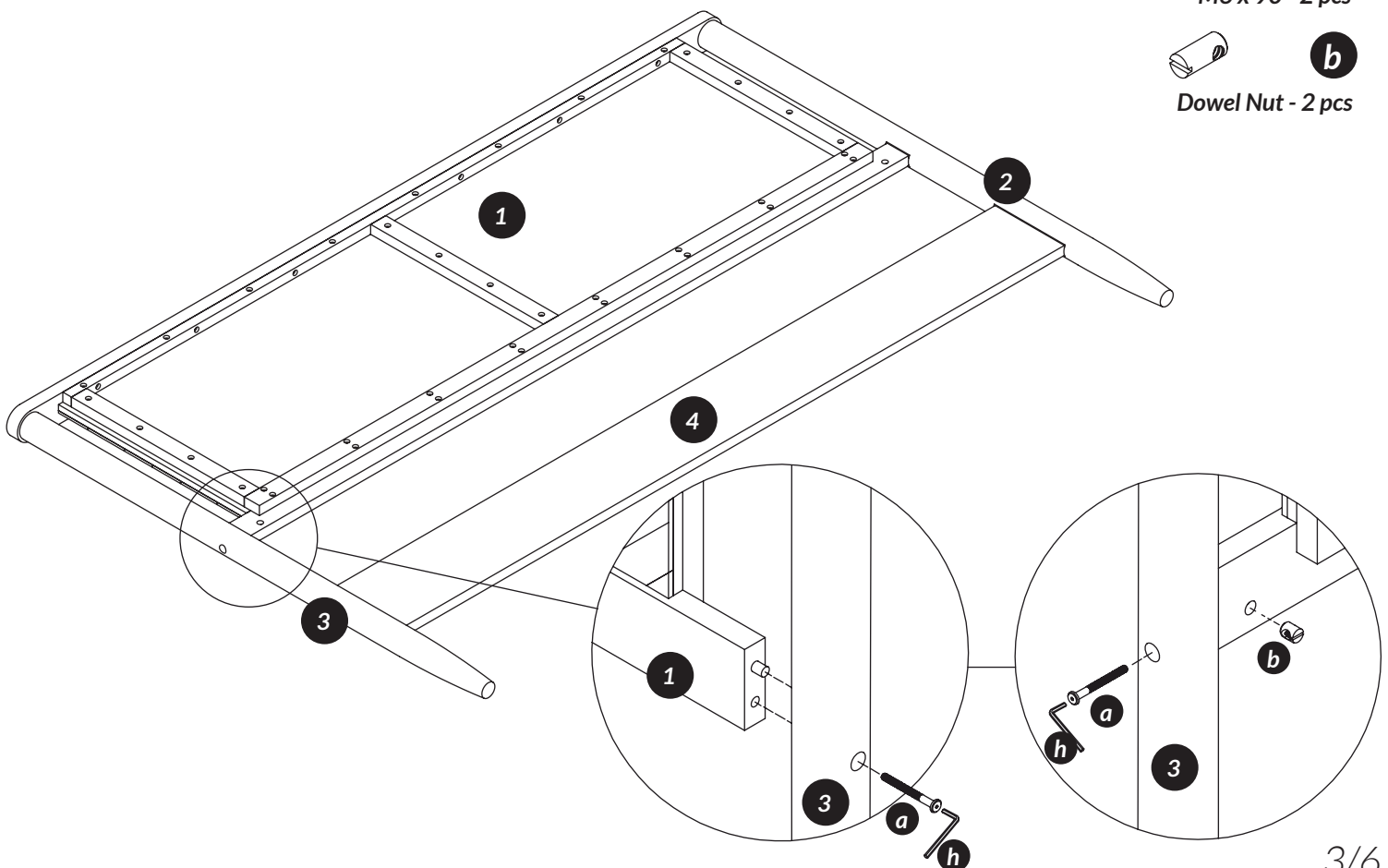


**!** Orient the part with the label facing upwards.

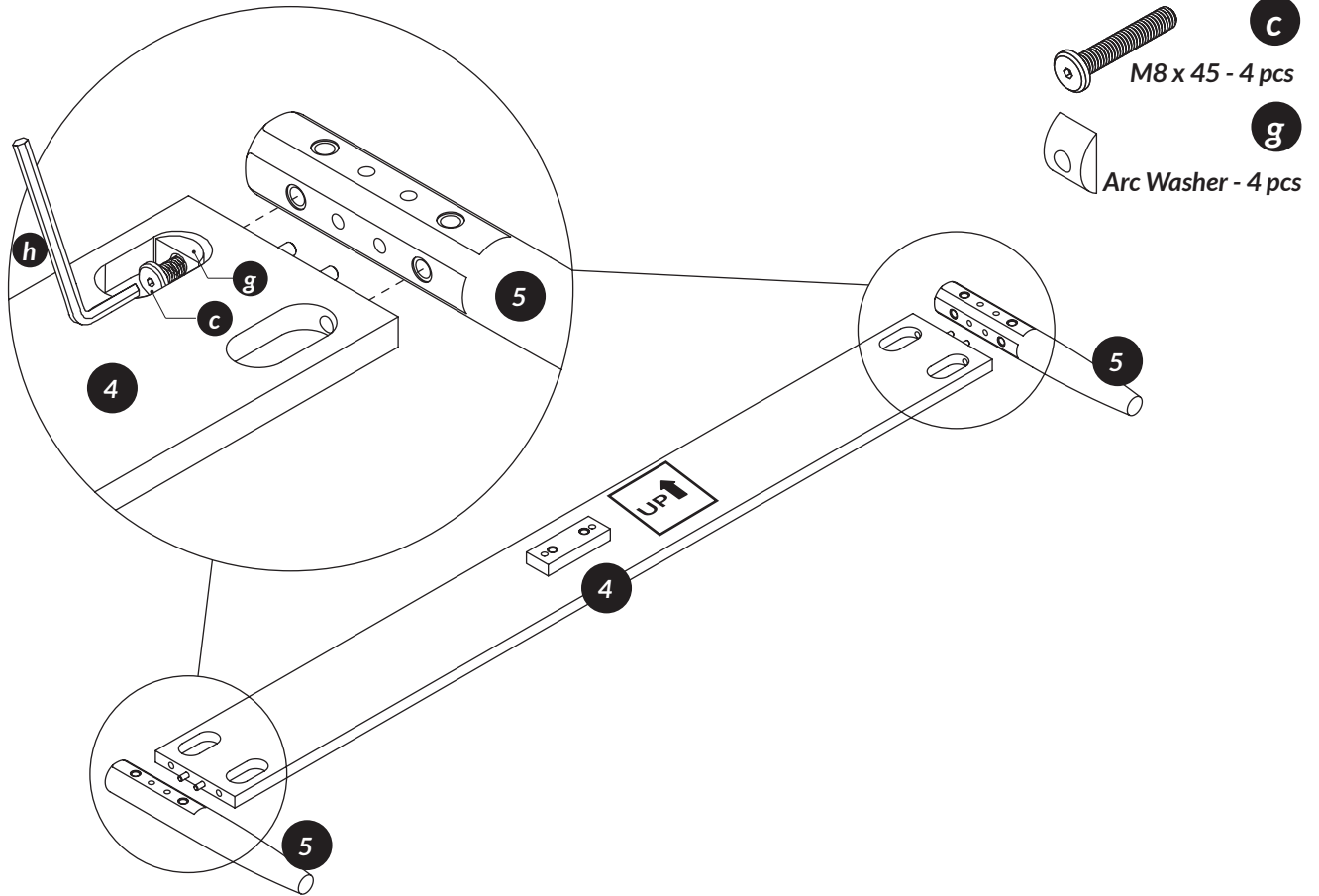
**STEP 2** Lay the panel face down on the ground before assembling.

**a**  
M6 x 90 - 2 pcs

**b**  
Dowel Nut - 2 pcs

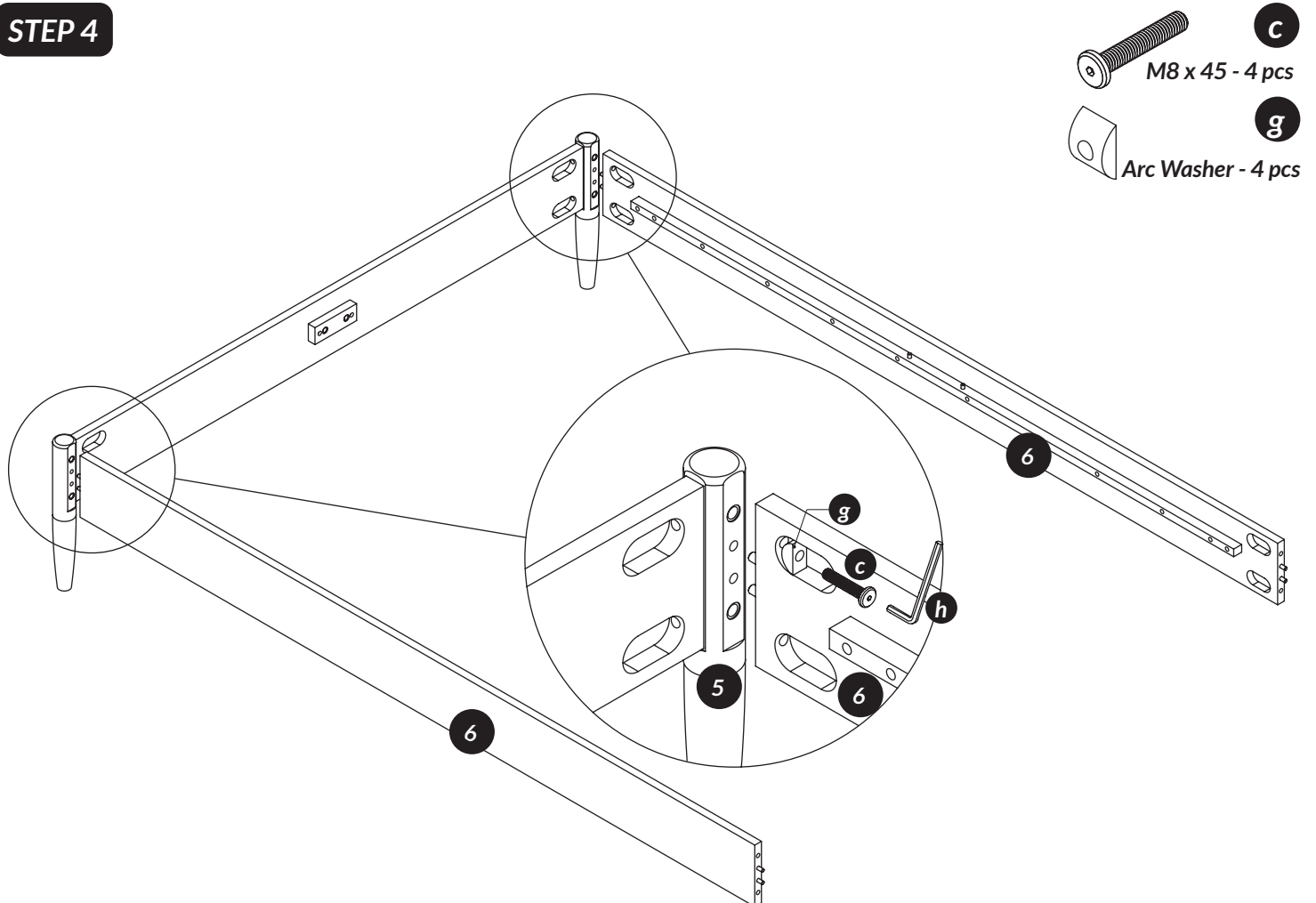


**STEP 3**

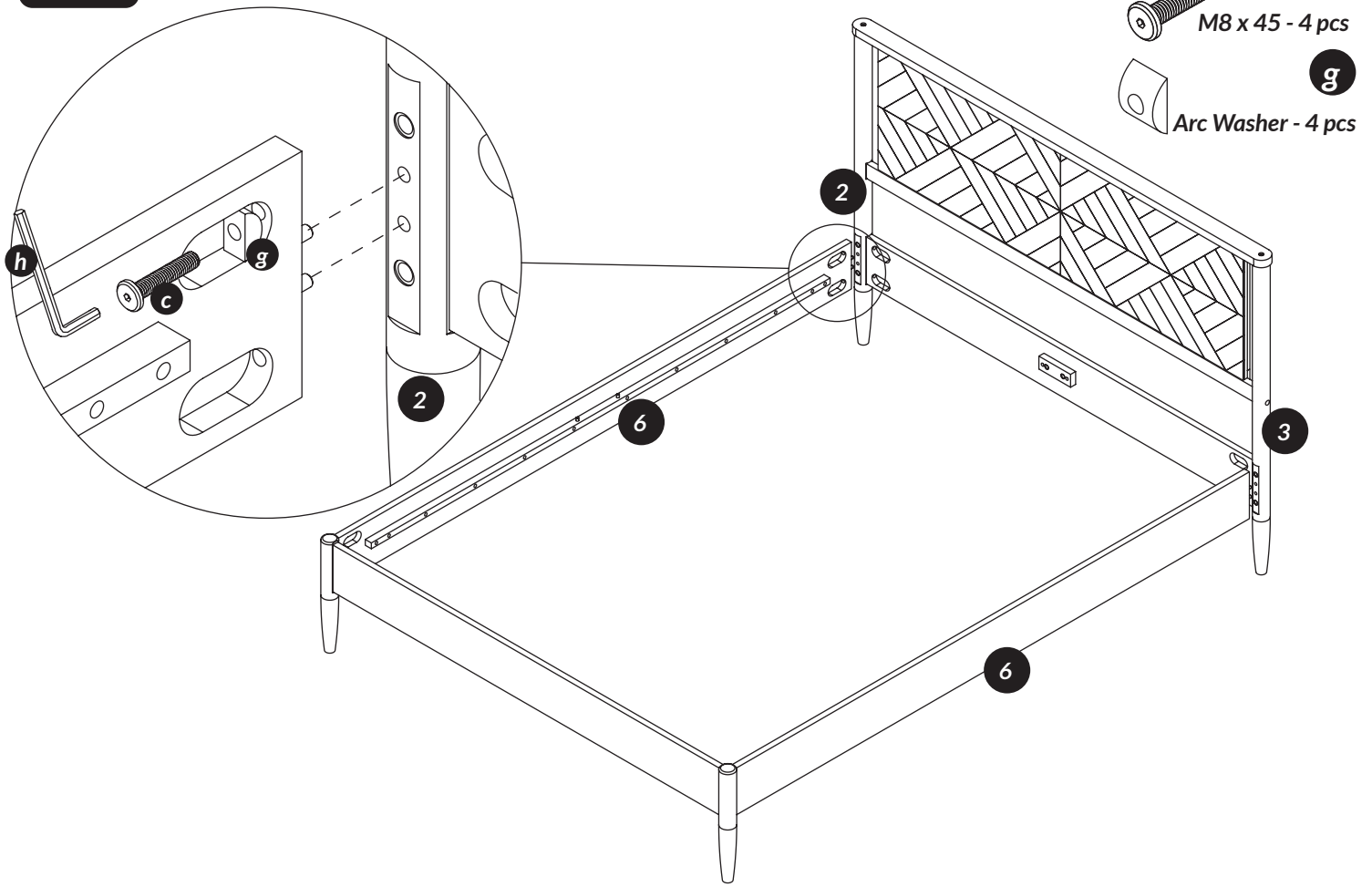


**!** Orient the part with the label facing upwards.

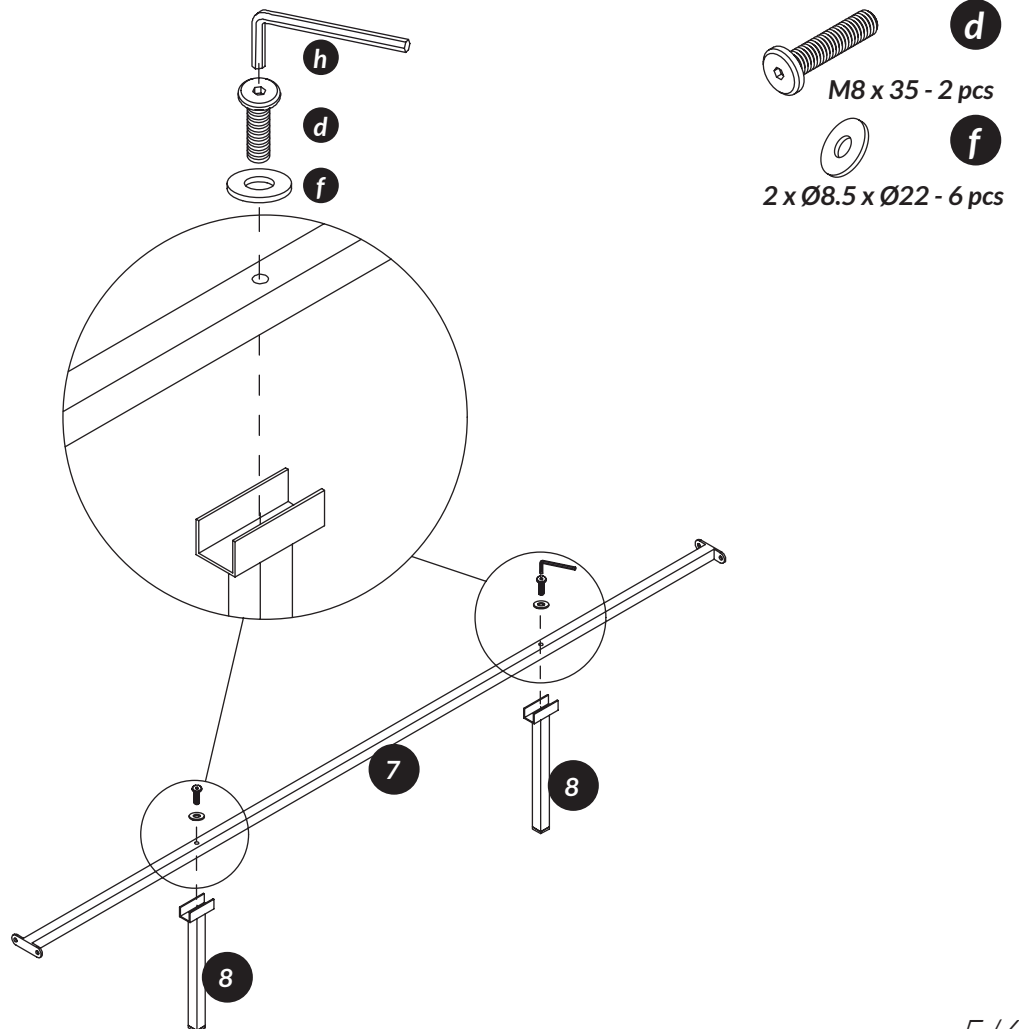
**STEP 4**



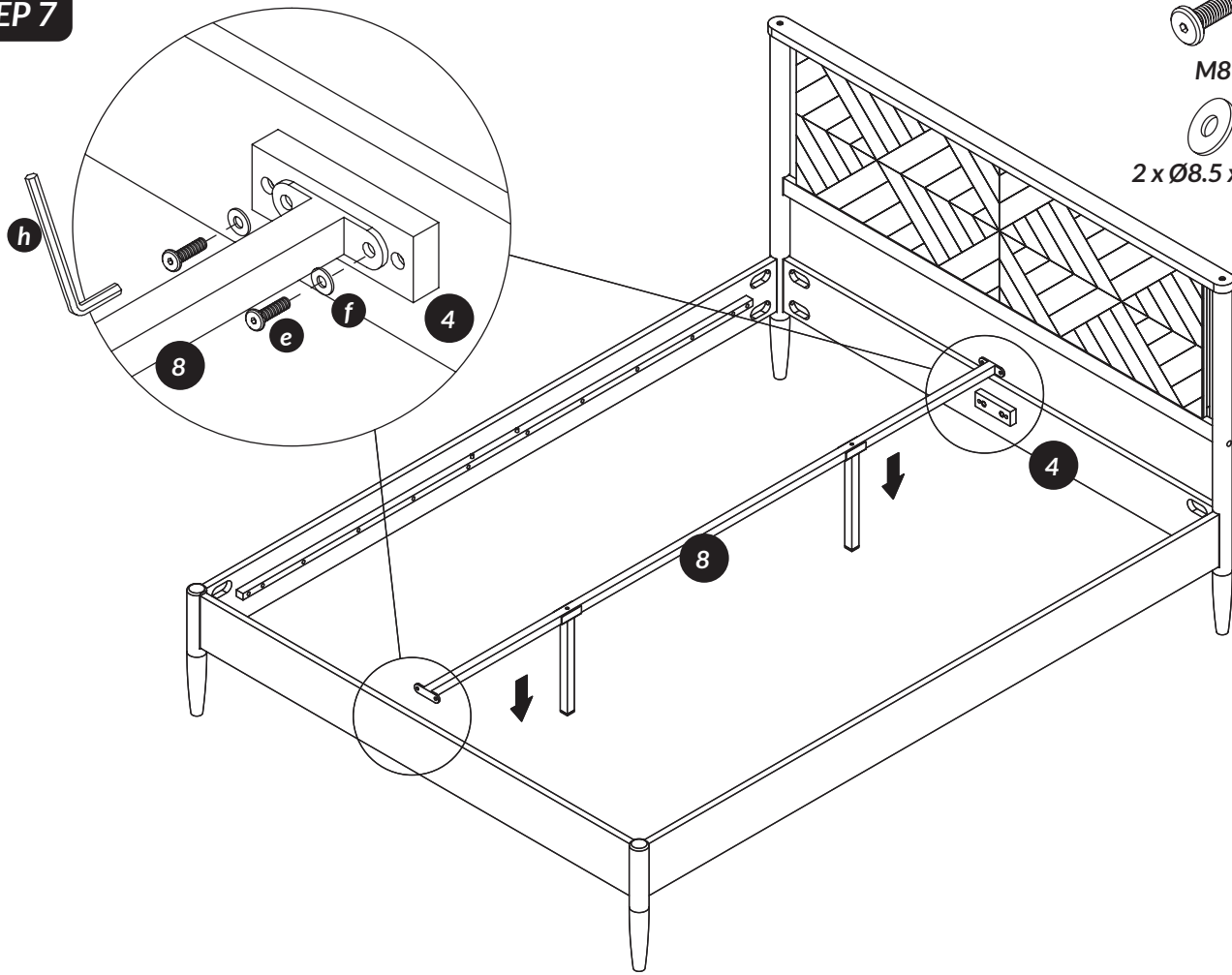
**STEP 5**



**STEP 6**



**STEP 7**



**STEP 8**

