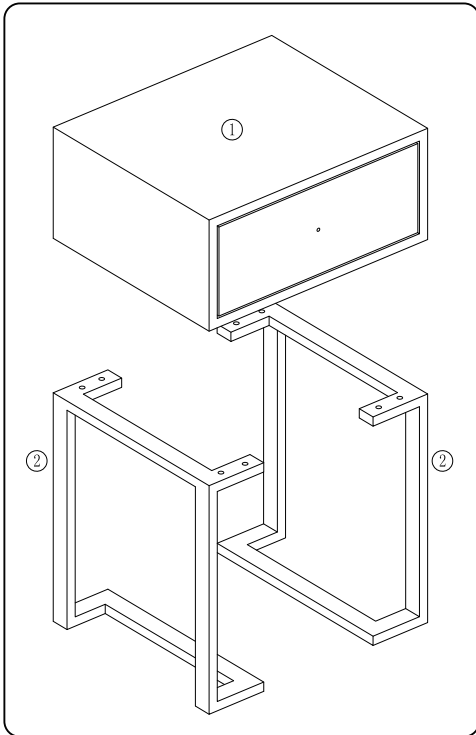


# Assembly Instructions

## Tips!

Check all the components & screws before assembly. Do not install in case part is missing,





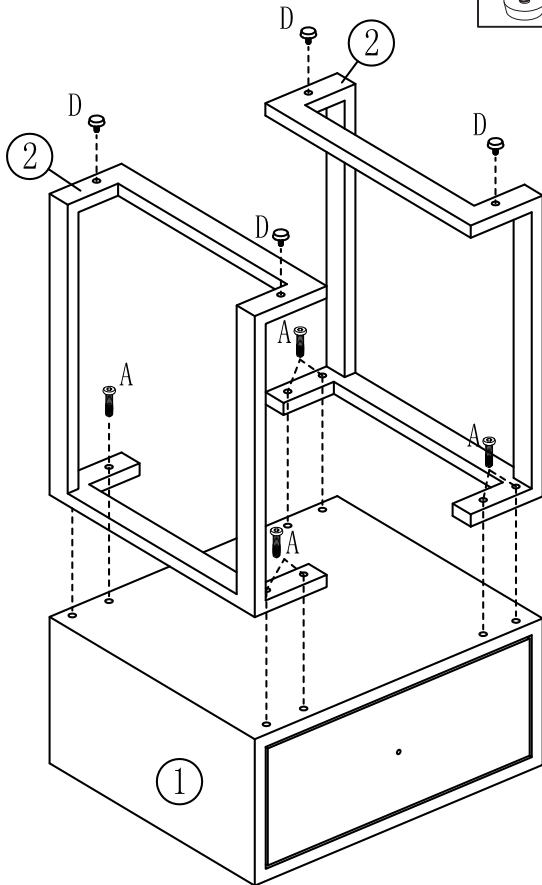
Components		
1		1
2		2

Screws & Tools		
A	 M6*25mm	8
B		1
C	 M4*20mm	1
D		4



# Step A: Drawer Assembly

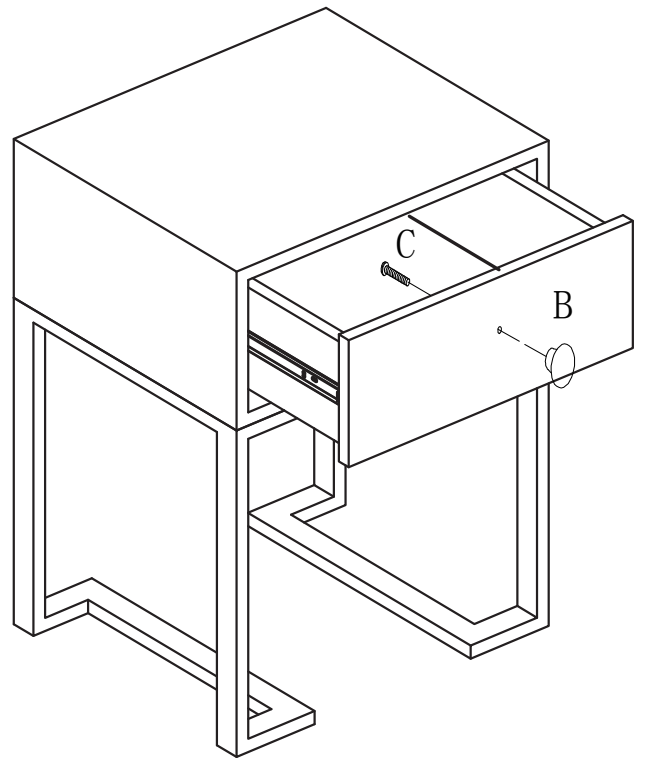
1

	A×8
	D×4



2

	C×1
	B×1



3 Check and tighten all screws

