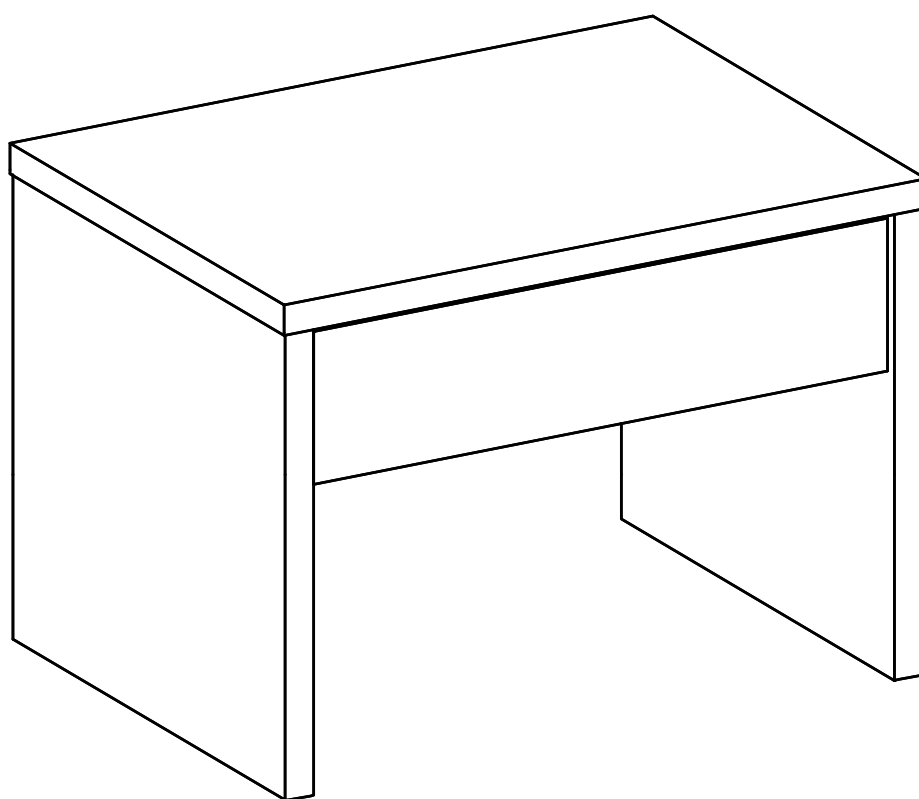


ASSEMBLY INSTRUCTIONS

EEI-6855

V0.01.01.24



Questions? Contact us!

609.256.9000 • cs@modway.com
www.modway.com

***modway**

Let's get started!

***modway**



Read through all of the instructions before starting



Care instructions are listed in the last step of this manual



Approx. 45 minutes assembly time



Make sure you have all parts and components before discarding any packing materials



2 people recommended for assembly

Only use hand tools to assemble this item. Do not use power tools. Do not tighten bolts or screws completely until all hardware is lined up and inserted into the holes.

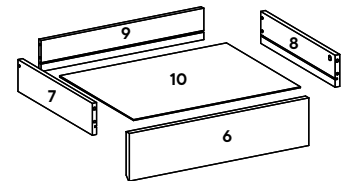
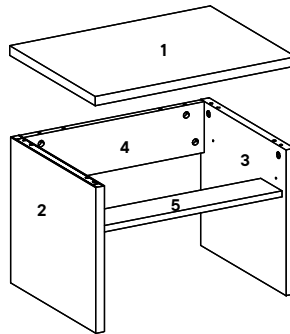
Do not over-tighten screws and bolts to avoid stripping the hardware or cracking the item.

Assemble your item on a flat, carpeted area, with plenty of space to work. This will prevent damage and scratches to your floors or the item while you're assembling the product.

Keep all components and packaging out of reach of children or animals to avoid risk of choking or suffocation.

Furniture components:

1	Top Board	x1	9	Rear Drawer	x1
2	Left Board	x1	10	Bottom Drawer	x1
3	Right Board	x1			
4	Rear Board	x1			
5	Drawer Support	x1			
6	Front Drawer	x1			
7	Left Drawer	x1			
8	Right Drawer	x1			



Provided hardware:

A		Cam Lock Ø15 mm	x10	J		Plastic Dowel M6 x 30 mm	x4
B		Cam Bolt Ø7.5 x 32 mm	x12	K		Cam Cover Ø15 mm	x2
C		Cam Cover Ø17 mm	x10	L		Backply Stopper	x4
D		Plastic Dowel M8 x 32 mm	x10	M		Screw M4 x 19 mm	x4
E		Screw M6 x 8 mm	x4				
F		Screw M6 x 13 mm	x4				
G		Screw M10 x 33.5 mm	x2				
H		Drawer Rail	x1				
I		Cam Lock Ø12 mm	x2				

What you need:

Phillips Head Screwdriver

Wait!

Missing parts or hardware? Need assistance?

Contact us before returning your item. We're here to help!

609.256.9000 • cs@modway.com

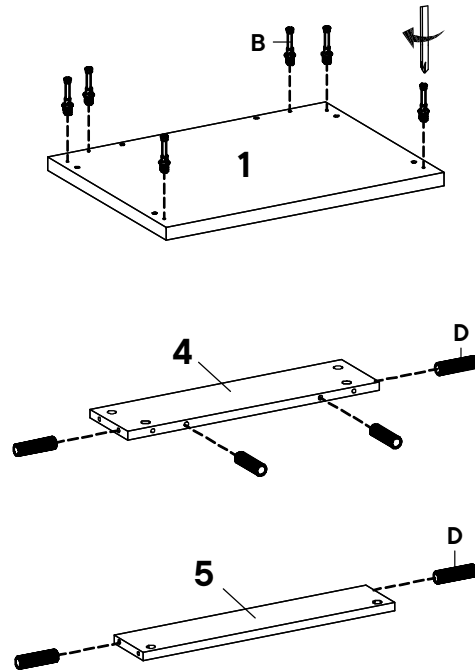
Step 1

HARDWARE

- B** Cam Bolt $\varnothing 7.5 \times 32$ mm x6
- D** Plastic Dowel M8 x 32 mm x6

COMPONENTS

- 1** Top Board x1
- 4** Rear Board x1
- 5** Drawer Support x1



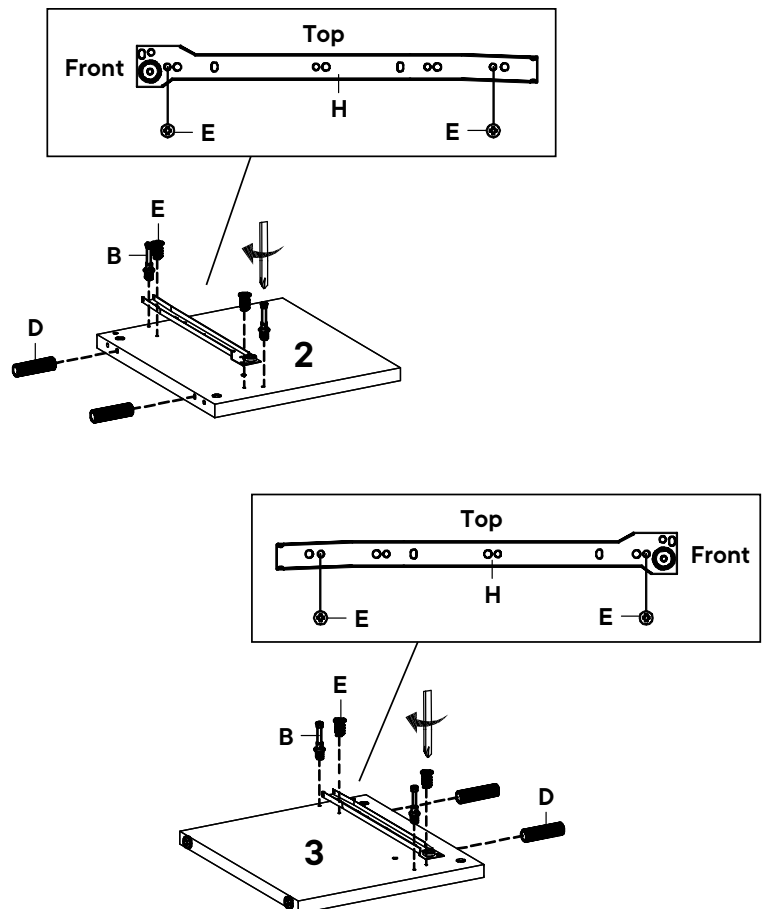
Step 2

HARDWARE

- B** Cam Bolt $\varnothing 7.5 \times 32$ mm x4
- D** Plastic Dowel M8 x 32 mm x4
- E** Screw M6 x 8 mm x4
- H** Drawer Rail x1

COMPONENTS

- 2** Left Board x1
- 3** Right Board x1



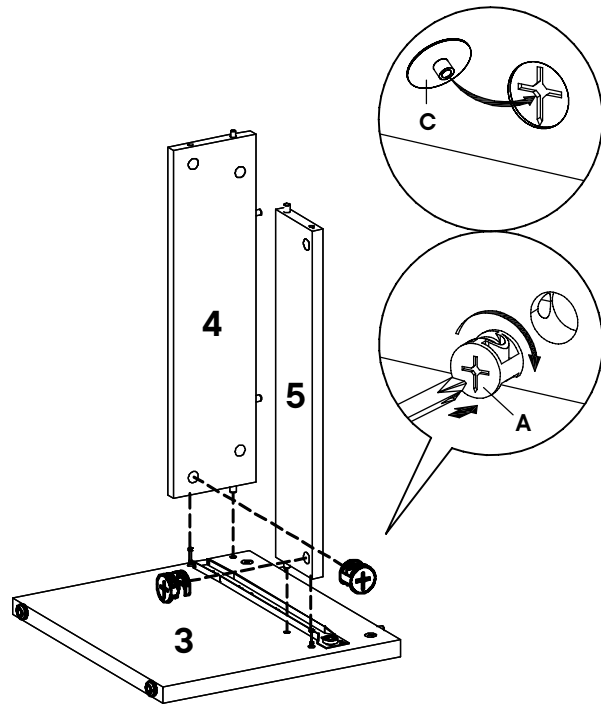
Step 3

HARDWARE

- | | | |
|----------|------------------|----|
| A | Cam Lock Ø15 mm | x2 |
| C | Cam Cover Ø17 mm | x2 |

COMPONENTS

- | | | |
|----------|----------------|----|
| 3 | Right Board | x1 |
| 4 | Rear Board | x1 |
| 5 | Drawer Support | x1 |



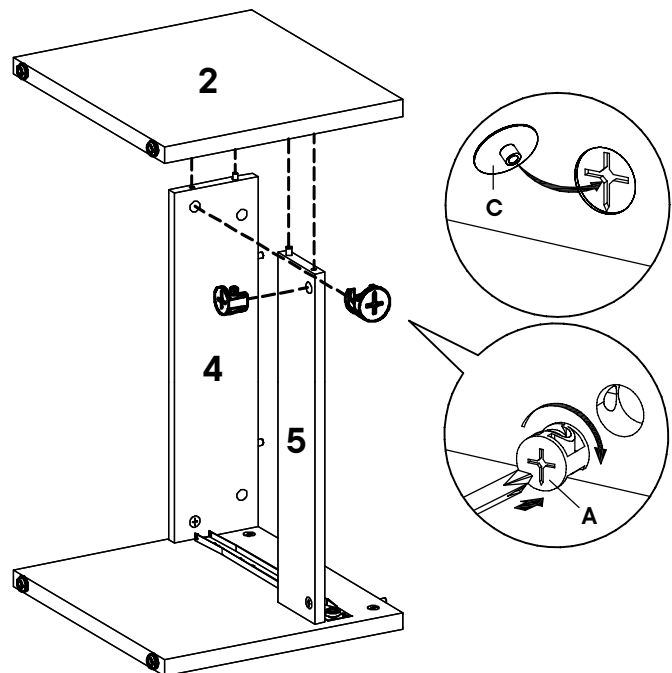
Step 4

HARDWARE

- | | | |
|----------|------------------|----|
| A | Cam Lock Ø15 mm | x2 |
| C | Cam Cover Ø17 mm | x2 |

COMPONENTS

- | | | |
|----------|----------------|----|
| 2 | Left Board | x1 |
| 4 | Rear Board | x1 |
| 5 | Drawer Support | x1 |



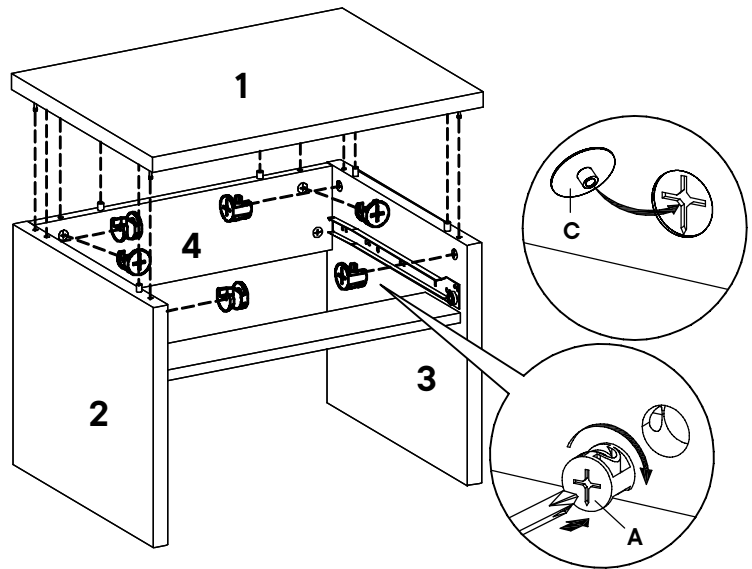
Step 5

HARDWARE

- A** Cam Lock $\varnothing 15$ mm x6
- C** Cam Cover $\varnothing 17$ mm x6

COMPONENTS

- 1** Top Board x1
- 2** Left Board x1
- 3** Right Board x1
- 4** Rear Board x1



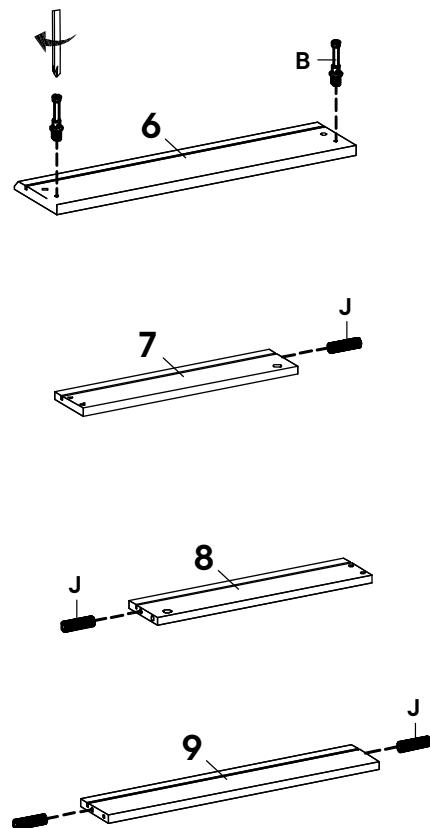
Step 6

HARDWARE

- B** Cam Bolt $\varnothing 7.5 \times 32$ mm x2
- J** Plastic Dowel M6 x 30 mm x4

COMPONENTS

- 6** Front Drawer x1
- 7** Left Drawer x1
- 8** Right Drawer x1
- 9** Rear Drawer x1



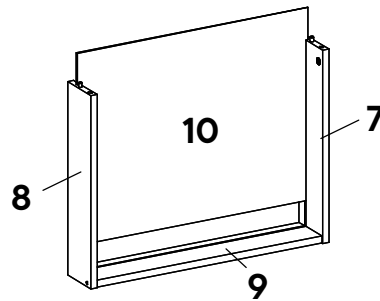
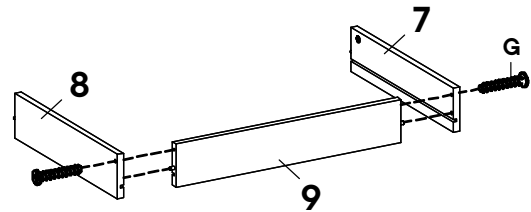
Step 7

HARDWARE

- G** Screw M10 x 33.5 mm x2

COMPONENTS

- 7** Left Drawer x1
8 Right Drawer x1
9 Rear Drawer x1
10 Bottom Drawer x1



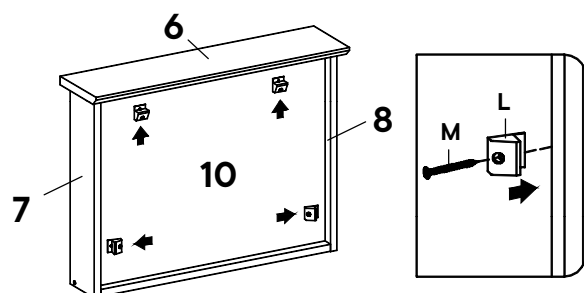
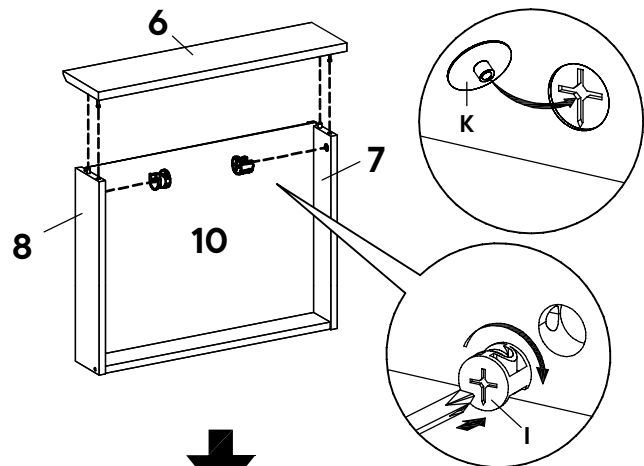
Step 8

HARDWARE

- I** Cam Lock Ø12 mm x2
K Cam Cover Ø15 mm x2
L Backply Stopper x4
M Screw M4 x 19 mm x4

COMPONENTS

- 6** Front Drawer x1
7 Left Drawer x1
8 Right Drawer x1
10 Bottom Drawer x1



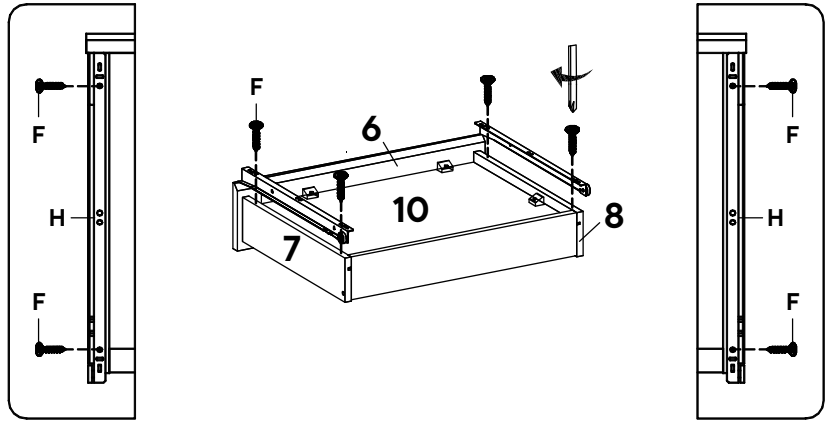
Step 9

HARDWARE

- F** Screw M6 x13 mm x4
- H** Drawer Rail x1

COMPONENTS

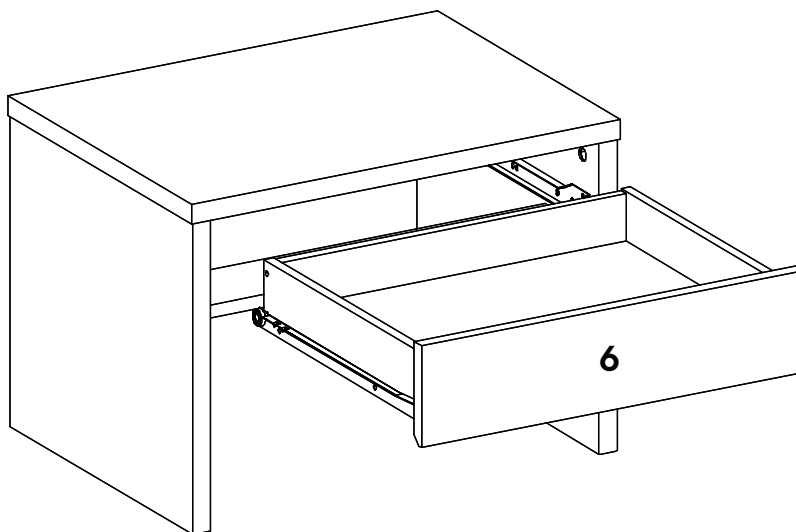
- 7** Left Drawer x1
- 8** Right Drawer x1



Step 10

COMPONENTS

- 6** Front Drawer x1



Great job!

Nightstand assembly is complete.



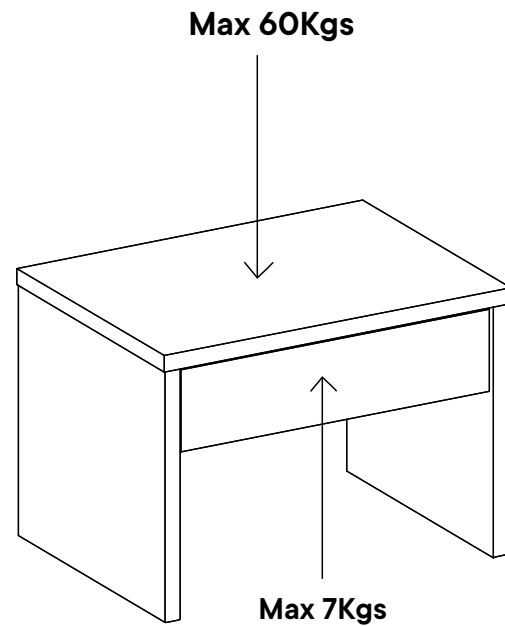
CARING FOR YOUR ITEM

Indoor use only.

Not contract grade.

Clean using a non-abrasive cloth and a mild cleaner.

Never use harsh chemicals, as they could damage the finish or integrity of the item.



CONNECT WITH US!   

Tag us @modway_furniture and #modway for a chance to be featured.