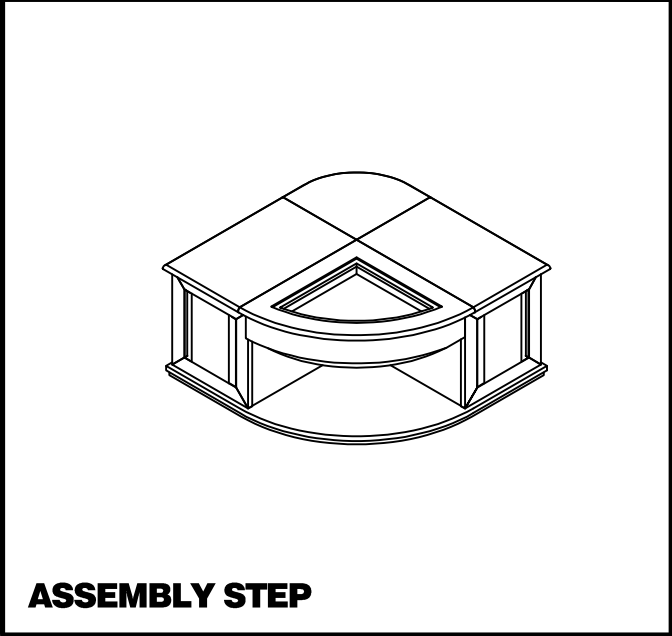


ASSEMBLY INSTRUCTION

DESCRIPTION COCKTAIL TABLE

Thank you for purchasing this quality product. Be sure to check all packing material carefully for small parts which may have some loose inside the carton during shipment. Identify and count all parts and compare with the parts List Below:



ASSEMBLY STEP

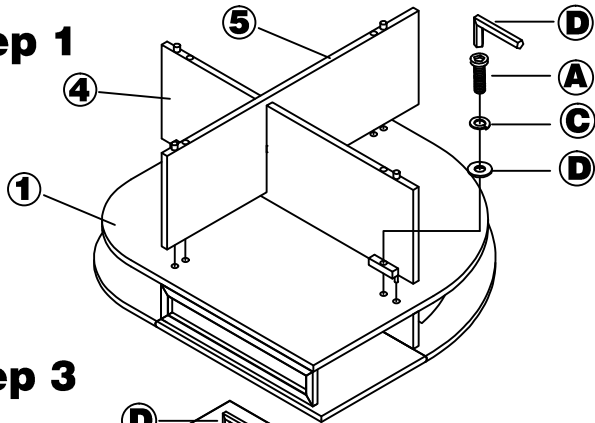
HARDWARE LIST

NO.	SKETCH	HARDWARE	QTY
A		Bolt 1/4" x 1-1/4"	12pcs
B		Bolt 1/4" x 1"	4pcs
C		Spring Washer	16 pcs
D		Flat Washer	16 pcs
E		Allen Key 4mm	1 pc

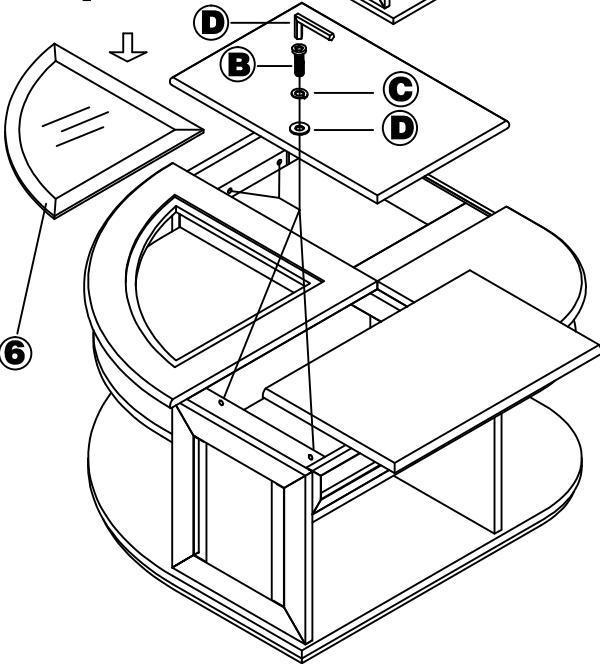
PARTS LIST (IF NEEDED)

NO.	SKETCH	PART	QTY
①		Top Box	1 pc
②		Bottom Panel	1 pc
③		side Panel	2 pcs
④		up Partition	1 pc
⑤		Below Partition	1 pc
⑥		Glass	1 pc

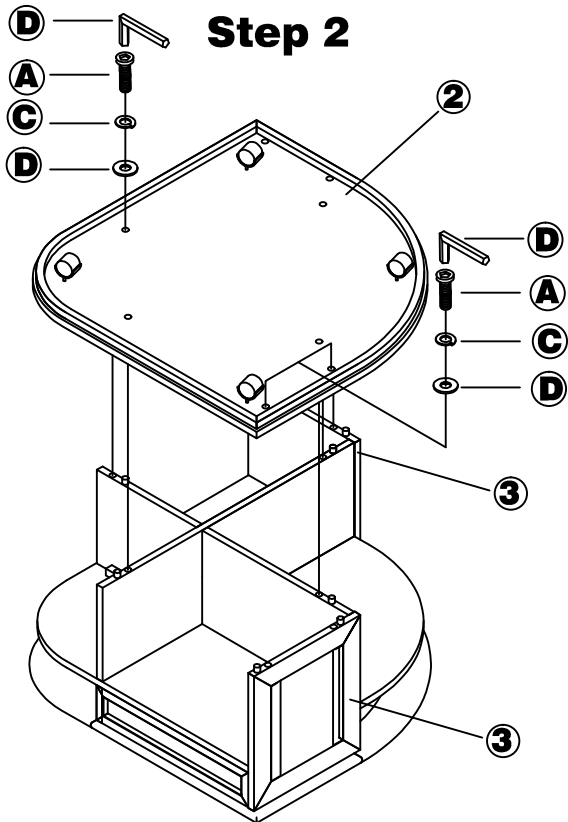
Step 1



Step 3



Step 2



NOTE: DO NOT TIGHTEN ALL THE BOLTS UNTIL THEY ARE INSTALLEN IN CORRESPONDING HOLES!