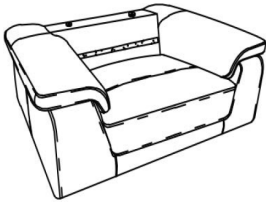

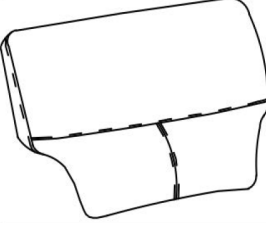
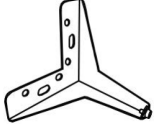







ASSEMBLY INSTRUCTION
INSTRUCTIONS D'ASSEMBLAGE
CHAIR

NOTE: It is recommended to install protective pads under all legs and supports to avoid damage or scratches when placing furniture on a wood floor or other hard surface, and to limit indentation and prevent discoloration if placing on carpet.

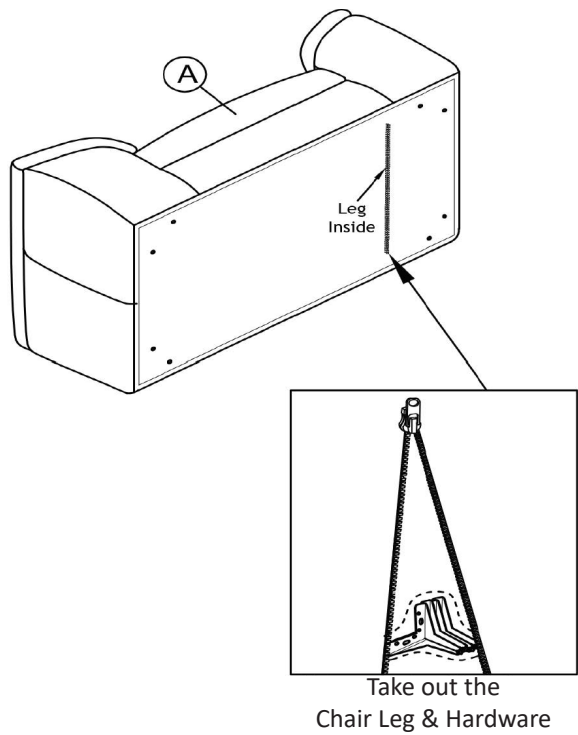
COMPONENT LIST

NO.	DRAWING	QTY	DESCRIPTION
A		1	SEAT
B		1	BACK REST
C		1	BACK CUSION
D		4	METAL LEG

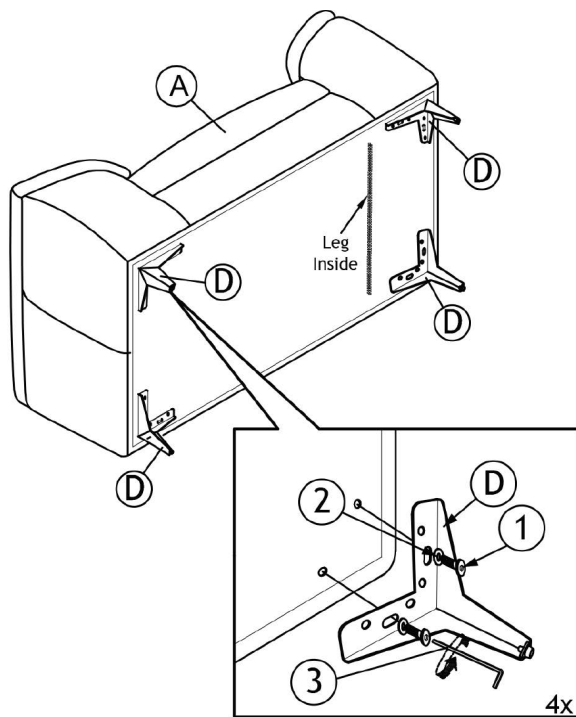
HARDWARE LIST

NO.	DRAWING	QTY	DESCRIPTION
1		8	JCBC SCREW M6 X 25MM
2		8	Flat Washer 5/16"
3		1	M4 ALLEN KEY

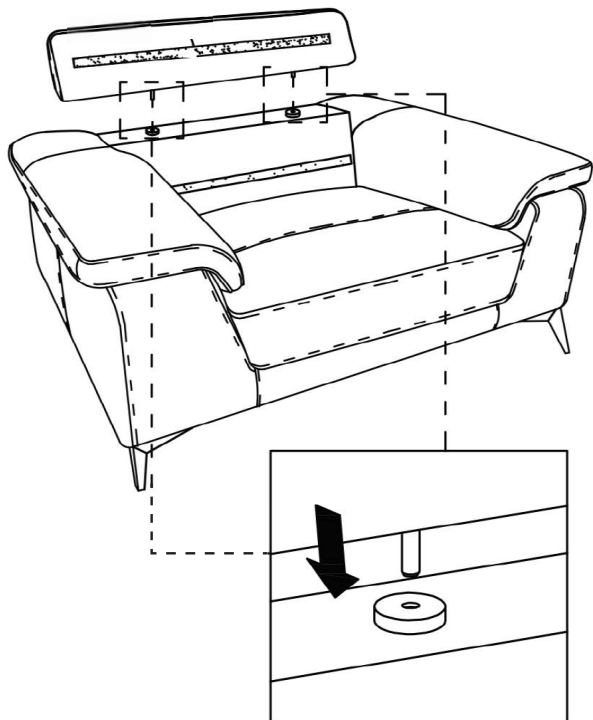
STEP 1



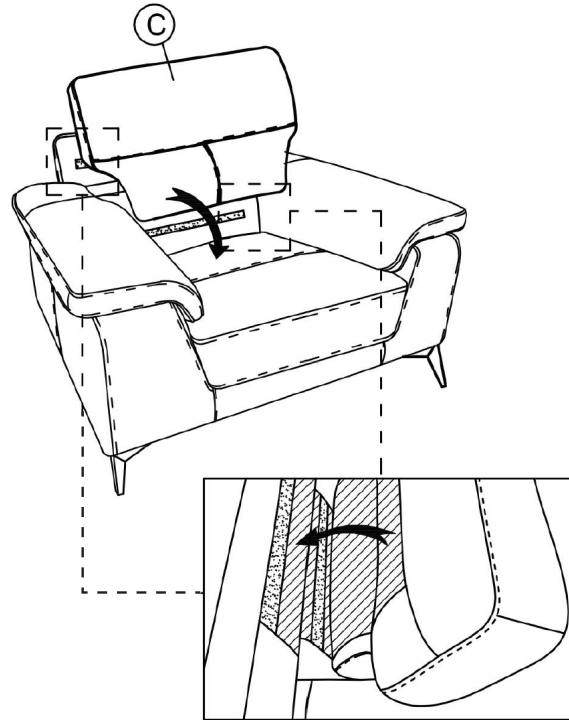
STEP 2



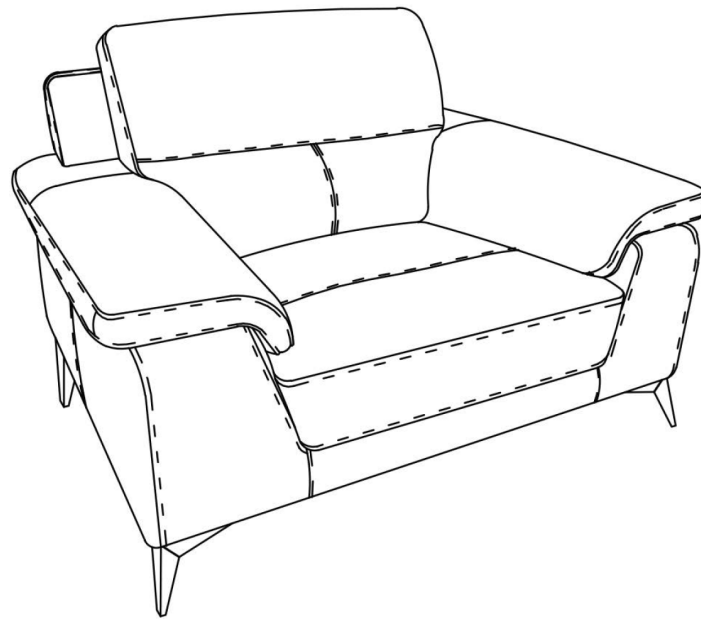
STEP 3



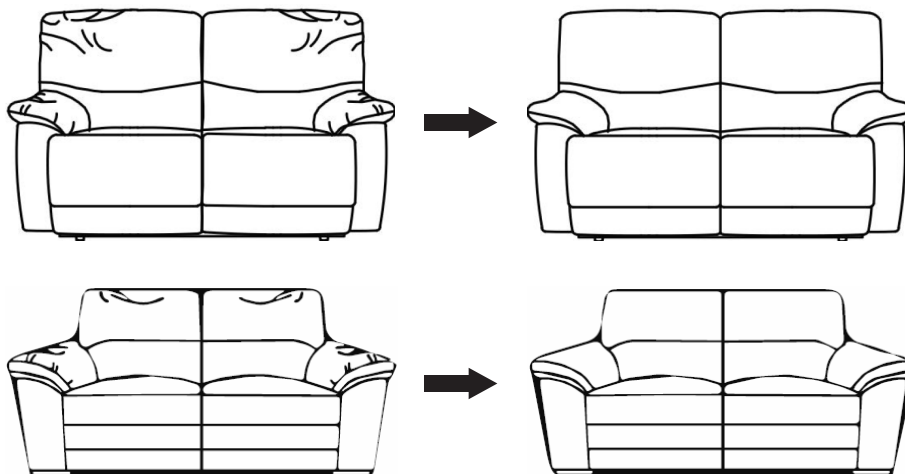
STEP 4



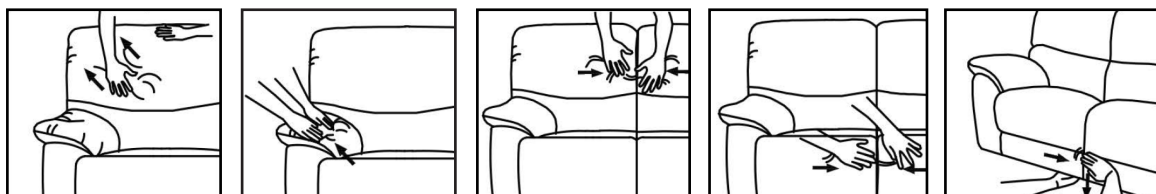
STEP 5 ASSEMBLY COMPLETED



Upholstery Cushion Care



Regular fluffing and flipping to maintain the shape of the product. Use soft brush to remove dust.



Start from the bottom and move to the top.

Start center toward to outside border.

Push left & right backrest cushion to center gently.

Push left & right seat cushion to center gently.

Flapping and align to centre.

TOP GRAIN LEATHER MATCH PVC CARE INSTRUCTION

In order to maintain the original appearance of your fabric furniture, please follow below care procedures:

- Avoid exposing furniture directly to sunlight or heating and air conditioning outlets. Sunlight and / or exposure to heating and air conditioning outlets will fade/damage fabric.
- Do not place your upholstered furniture too close to windows, radiators, vents and be sure to use window treatments to block the sun's rays.
- Wipe with a soft brush to remove dust.