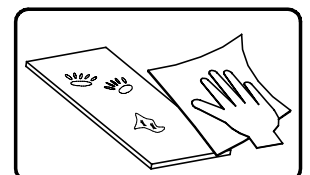
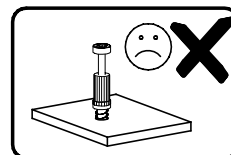
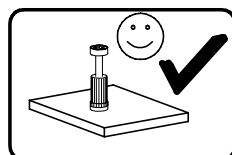
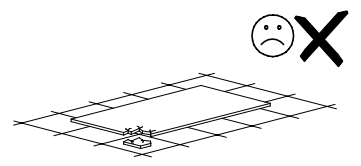
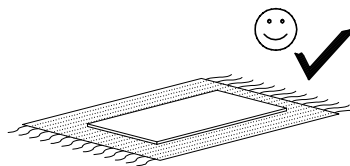
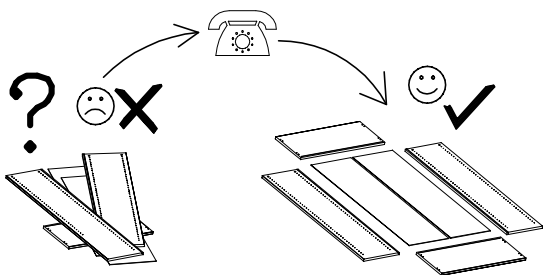
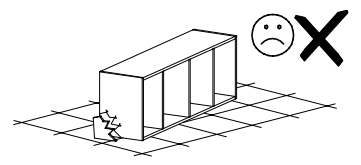
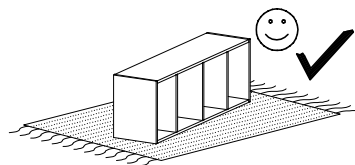
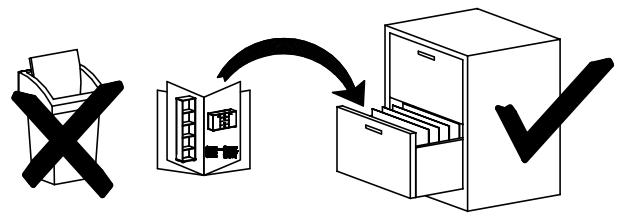
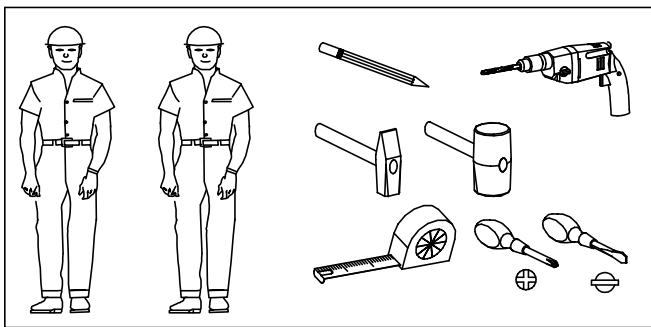
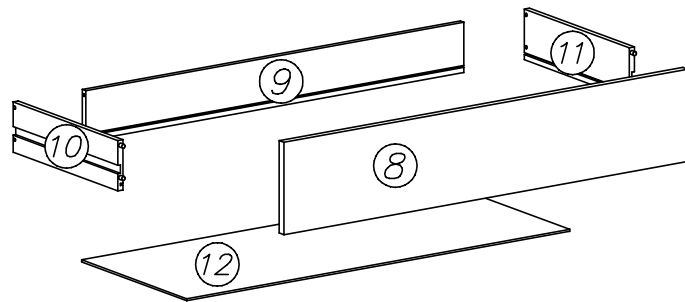
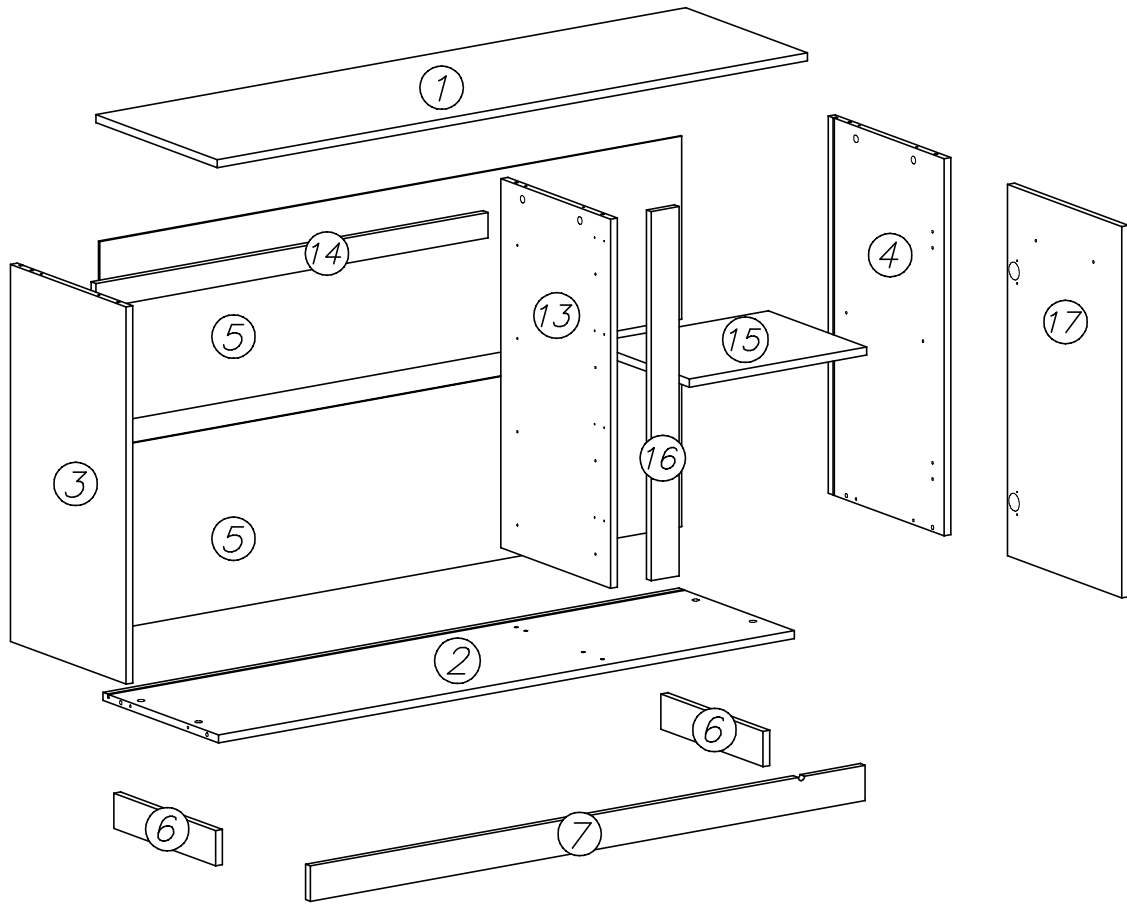
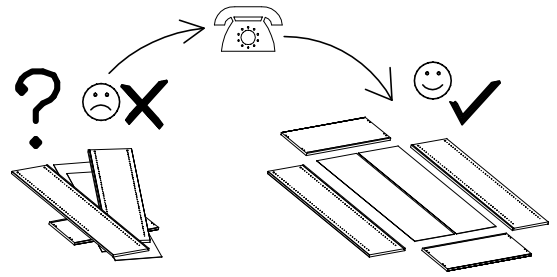
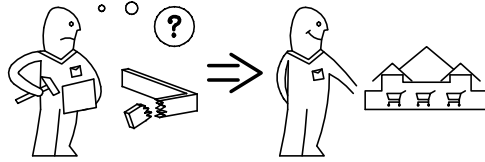
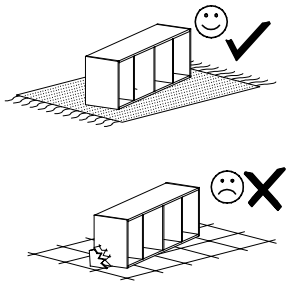
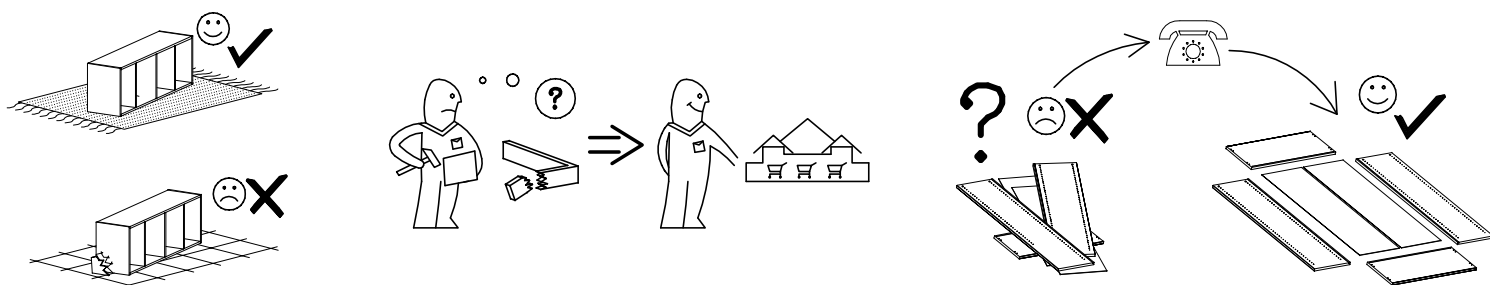


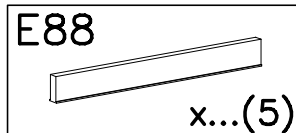
PUSH



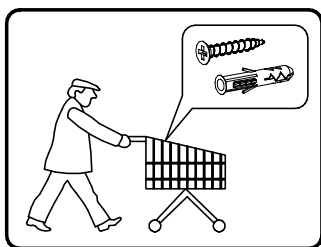
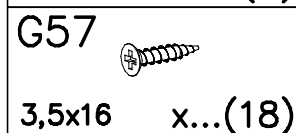
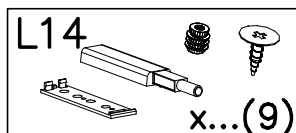
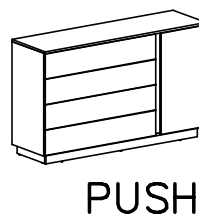




OPCJA A

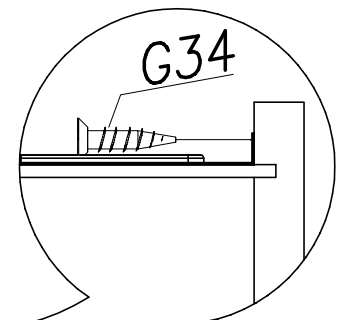
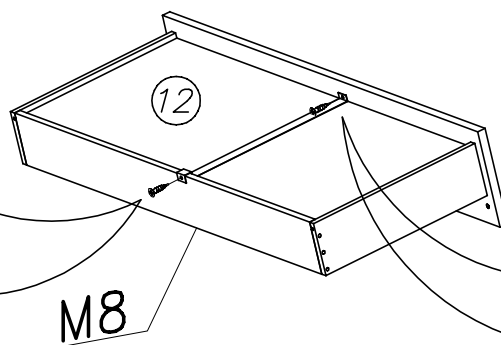
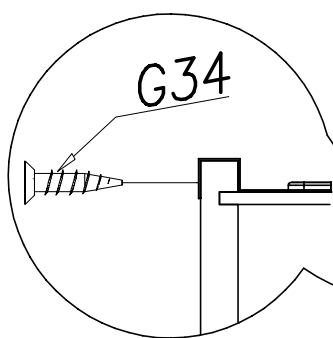
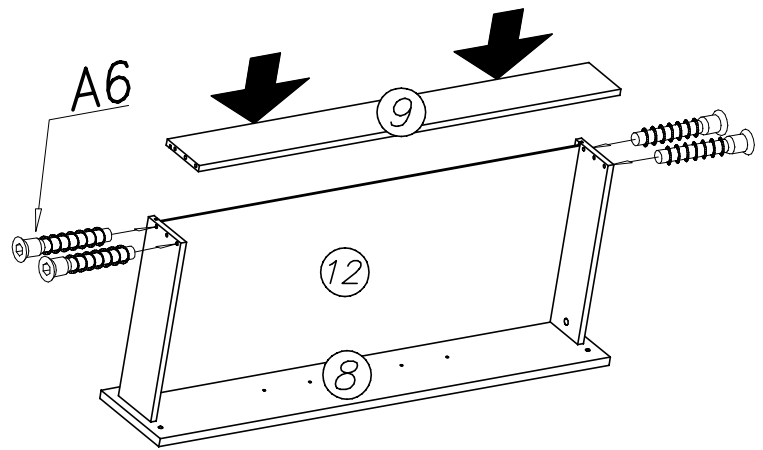
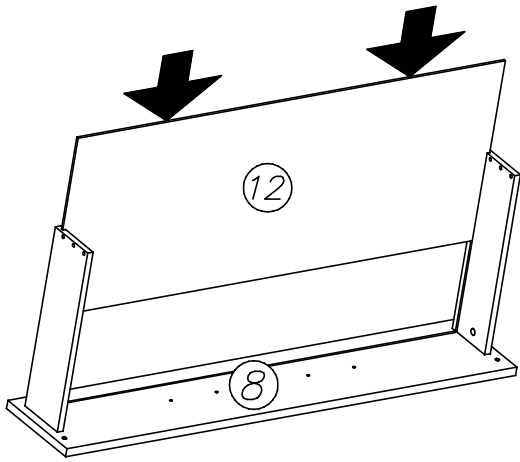
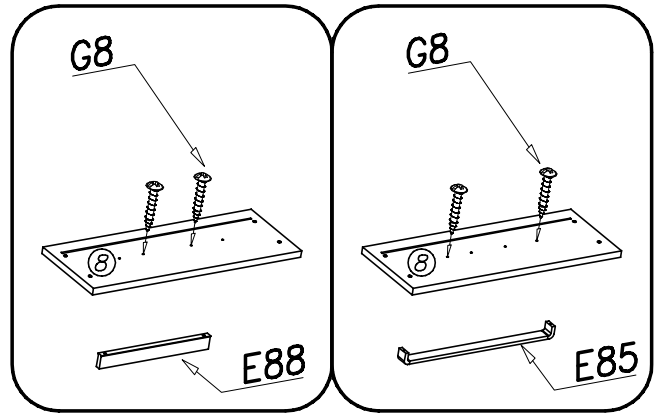
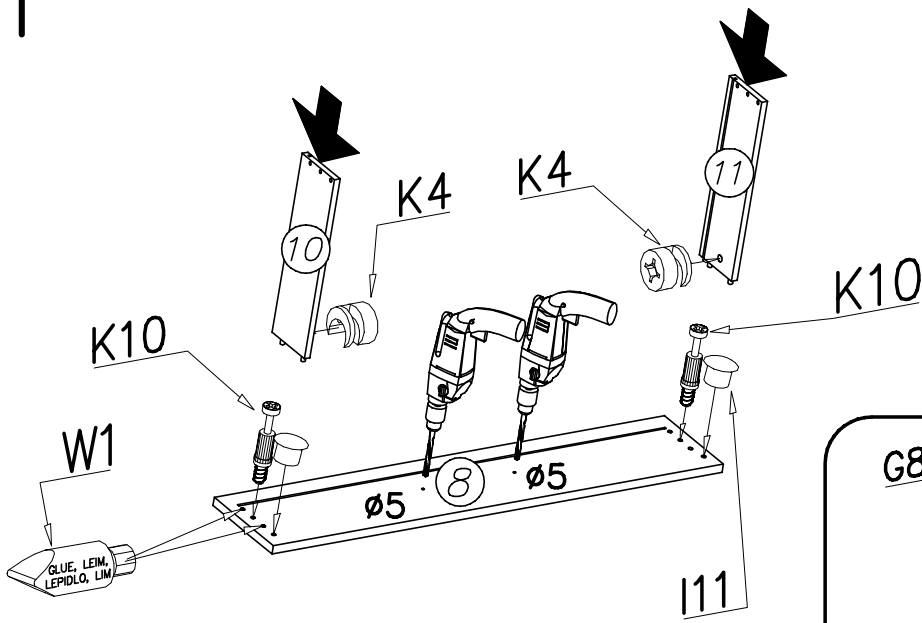


OPCJA B

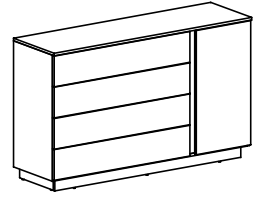
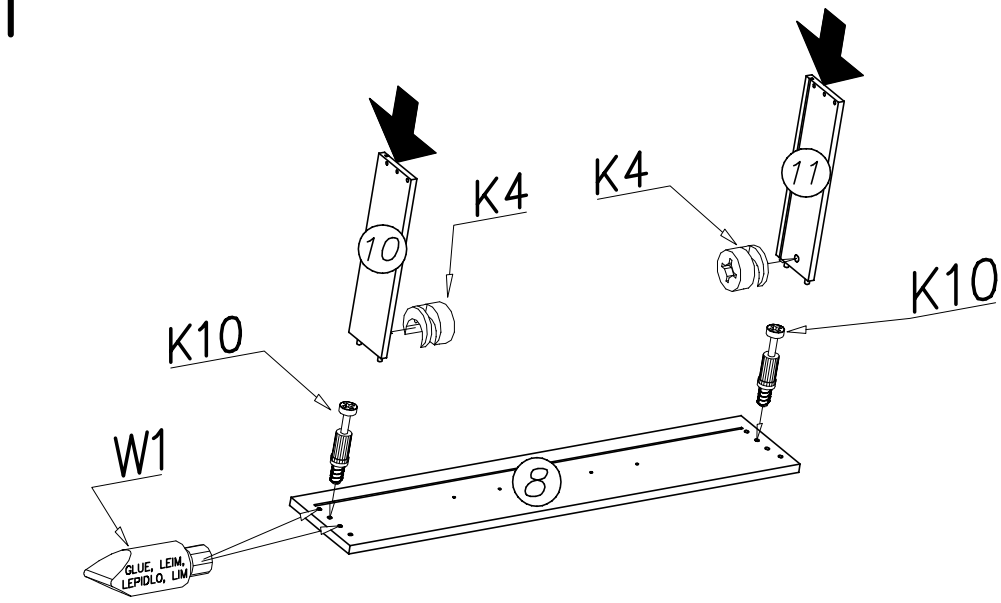


	S1 1346mm x...(1)	F2 x...(4)	I11 ø10 x...(8)	M11 x...(1)
C3 Z35PR x...(2)	D3 H=2 PZ35PR x...(2)	P28 x...(1)	M8 350mm x...(4)	
W2 x...(1)	H23 H27-350mm x...(4)	K4 ø12x10 x...(8)	A1 ø7x50 x...(2)	F15 x...(19)
A6 ø7x40 x...(16)		I1 x...(10)	W1 GLUE, LEIM, LEPIDLO, LIM x...(2)	W10 1000mm x...(1)
K1 ø15x12 x...(10)	G8 4x30 x...(10)	G20 5x13 x...(32)	G34 3,5x16 x...(97)	
K10 x...(18)	B1 ø8x35 x...(12)	I7 x...(10)	P4 x...(7)	

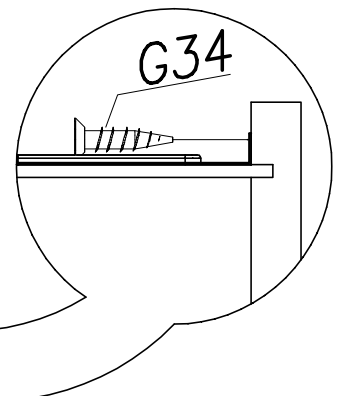
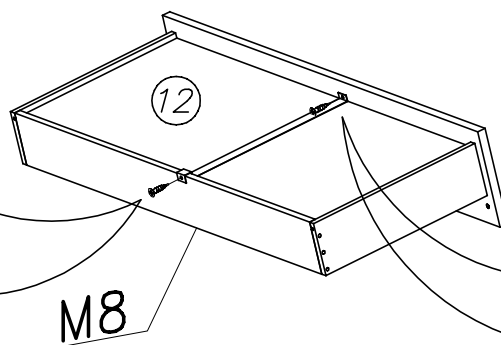
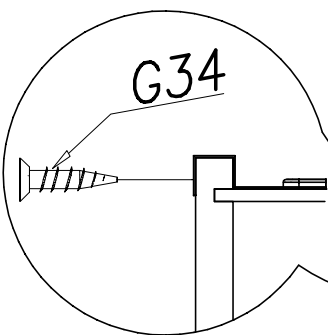
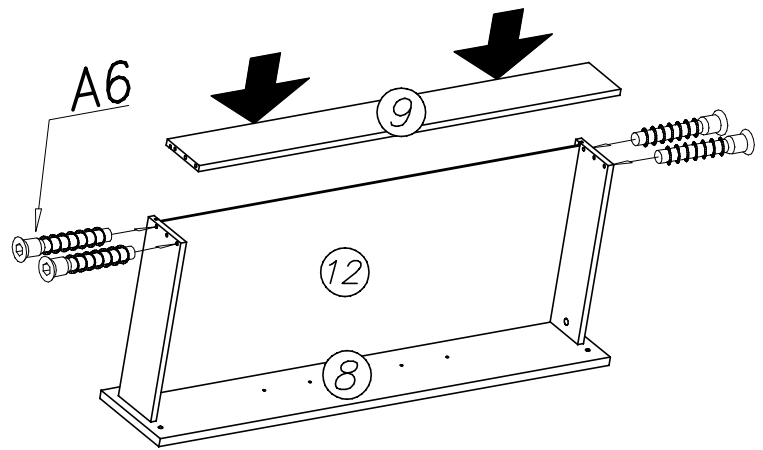
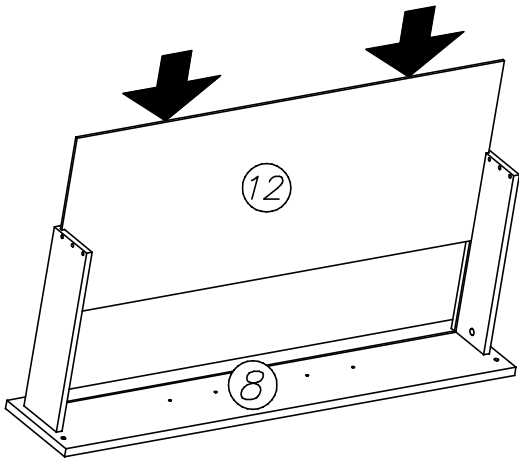
OPCJA A



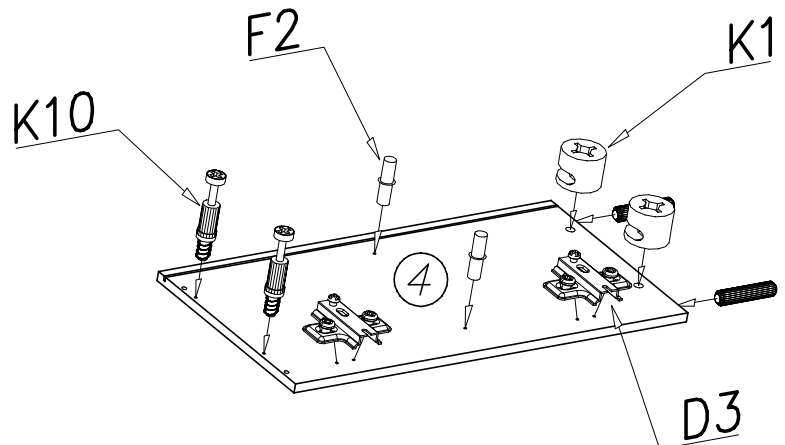
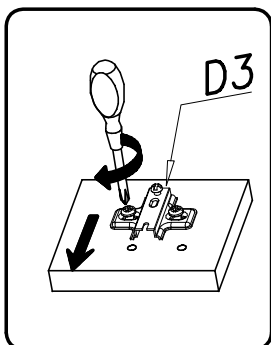
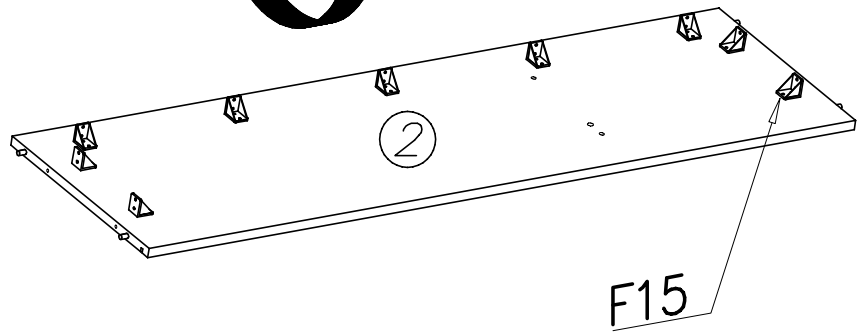
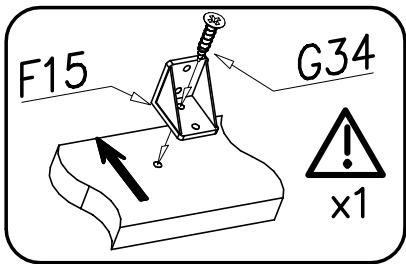
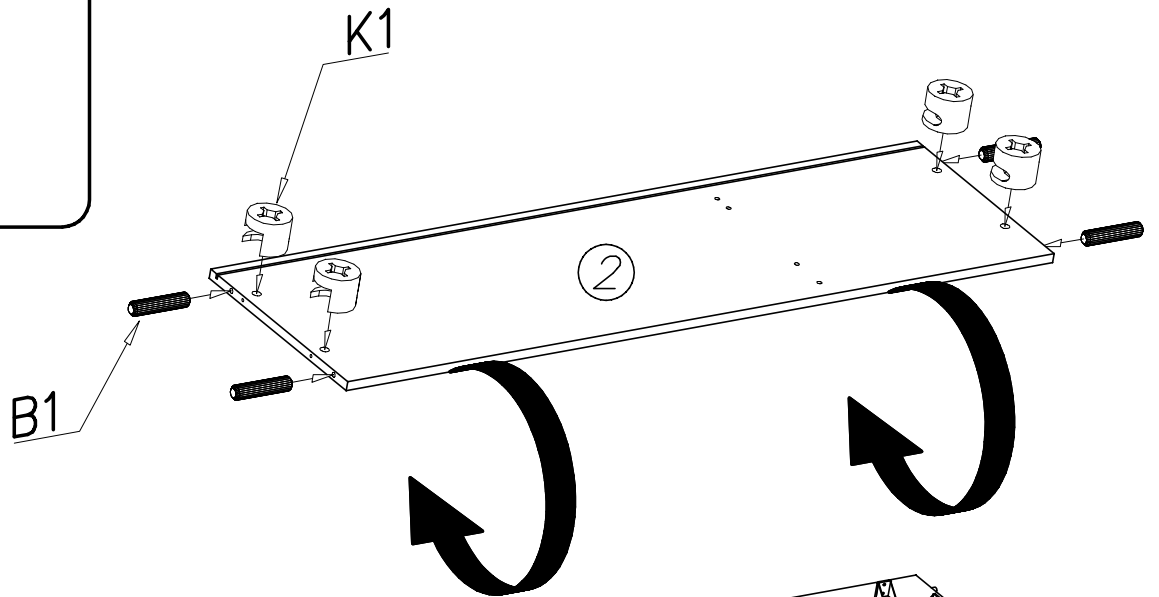
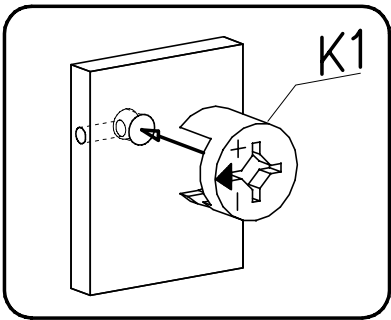
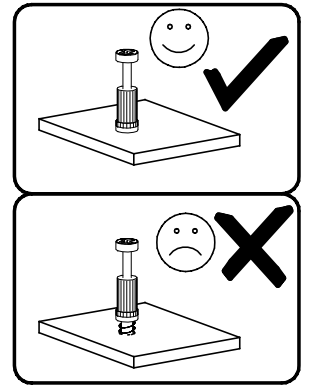
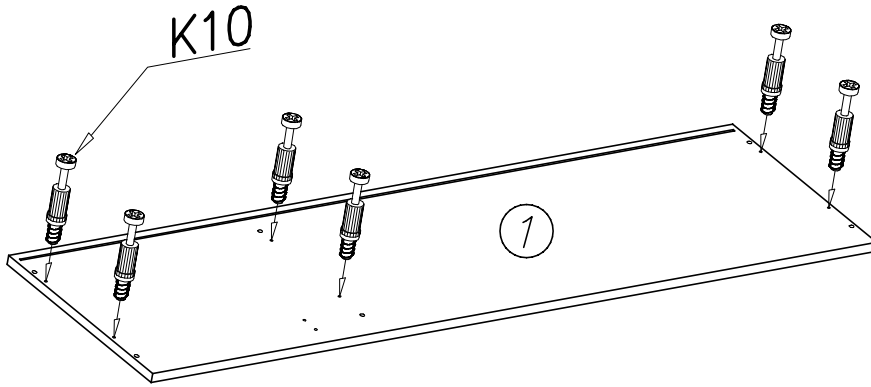
OPCJA B



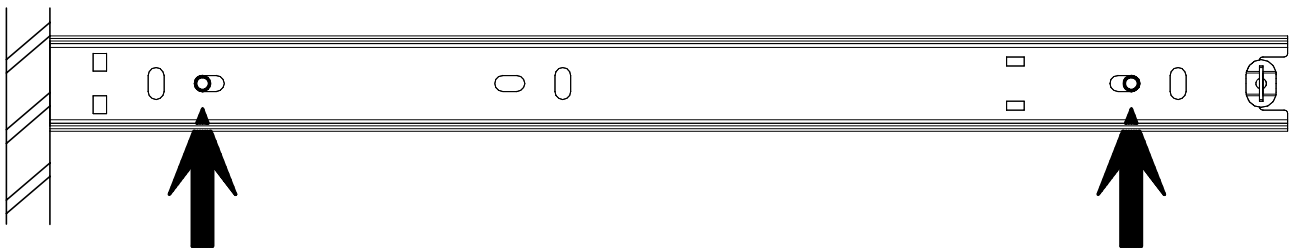
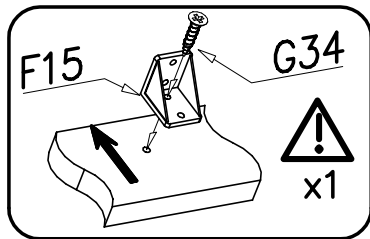
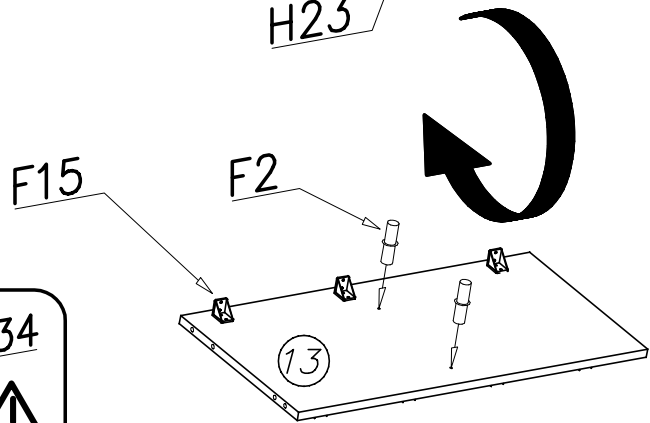
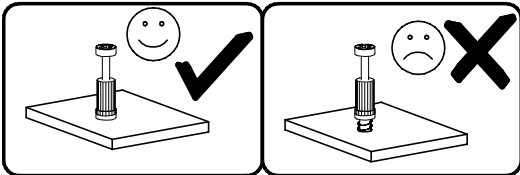
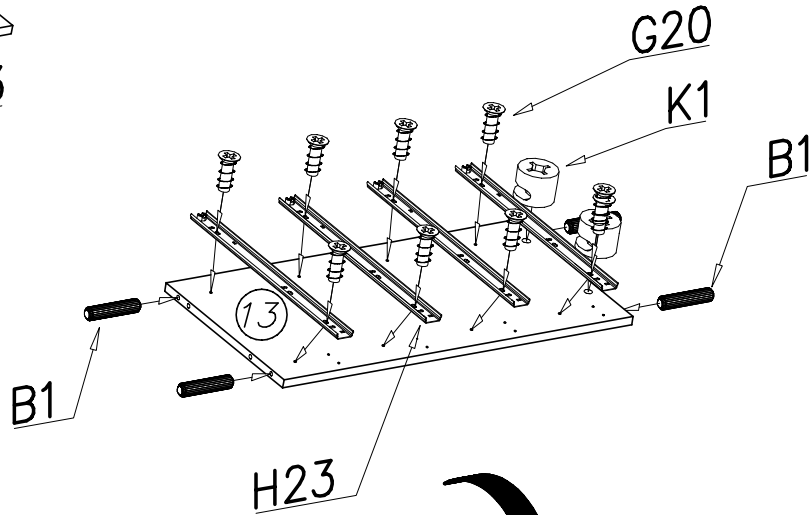
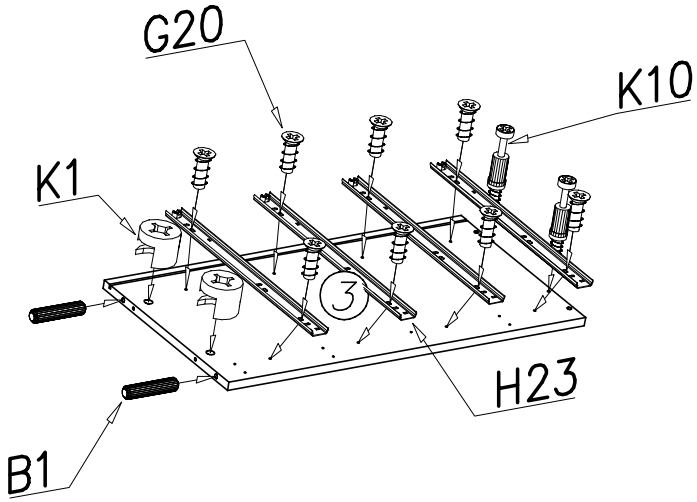
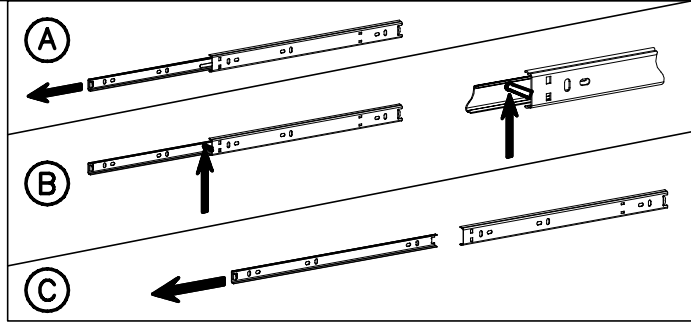
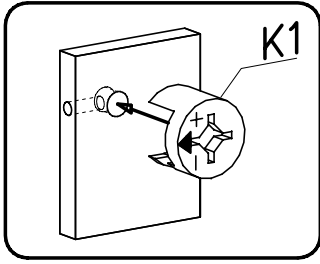
PUSH



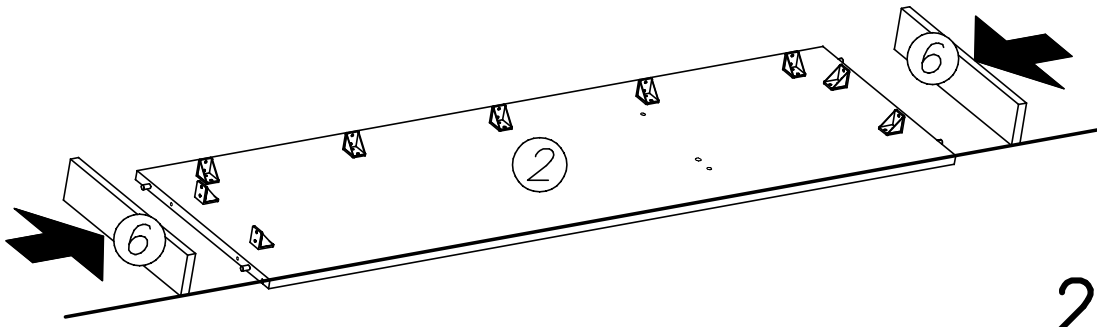
III



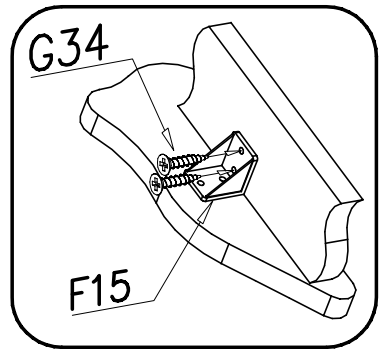
IV



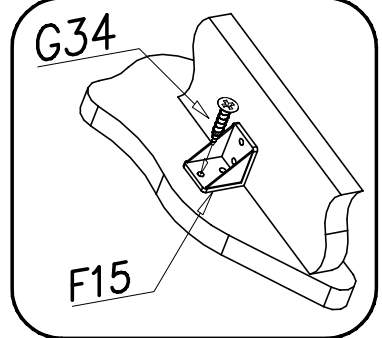
V



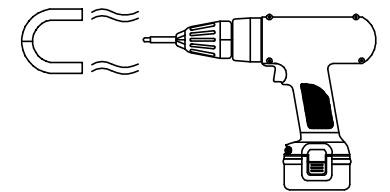
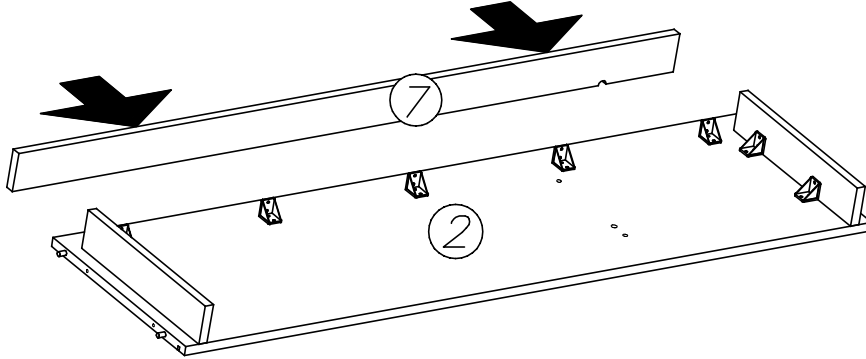
1.



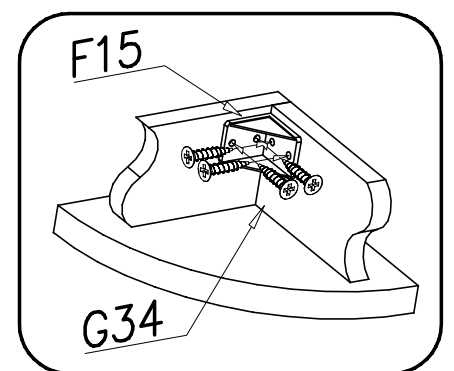
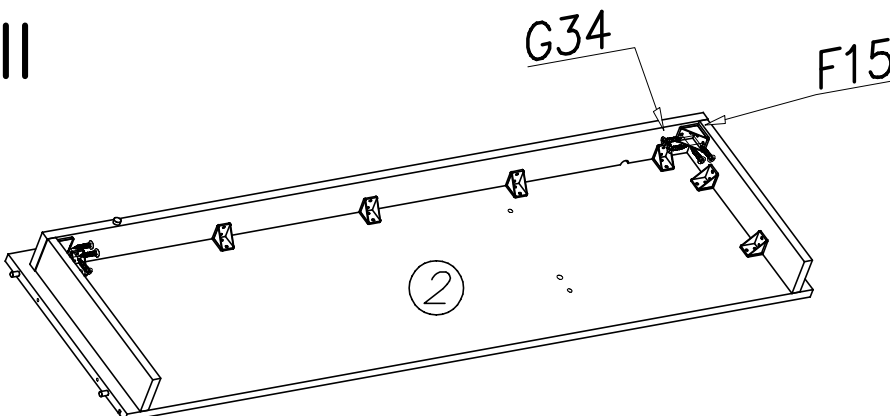
2.



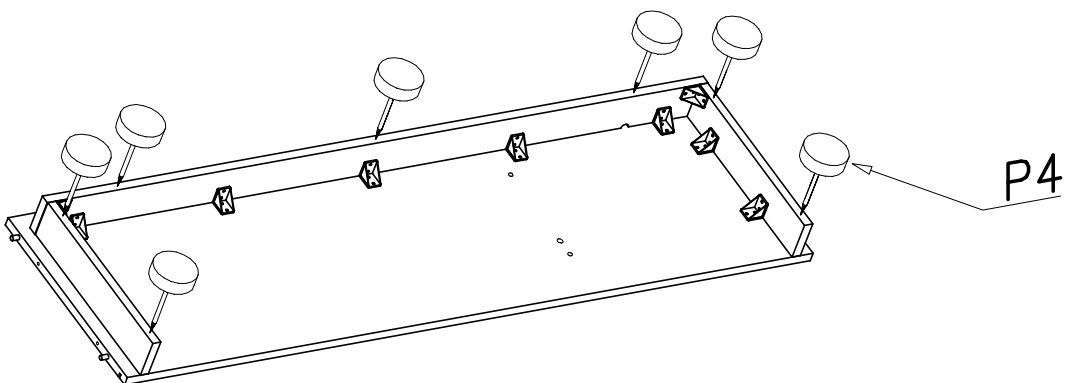
VI



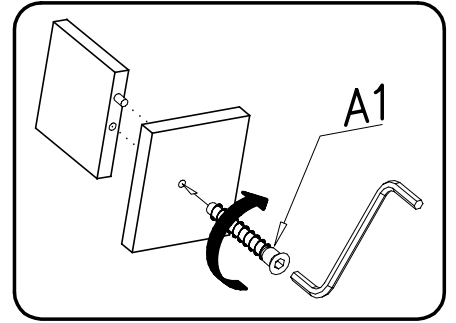
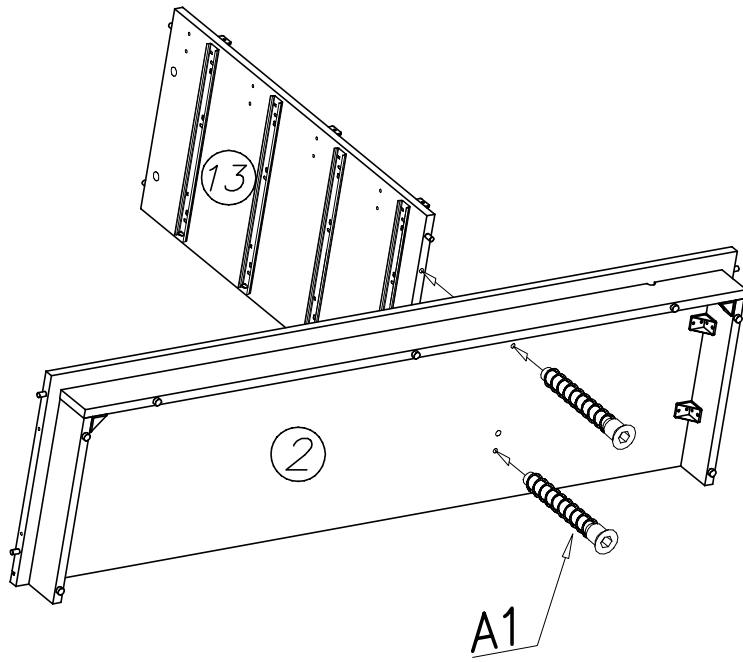
VII



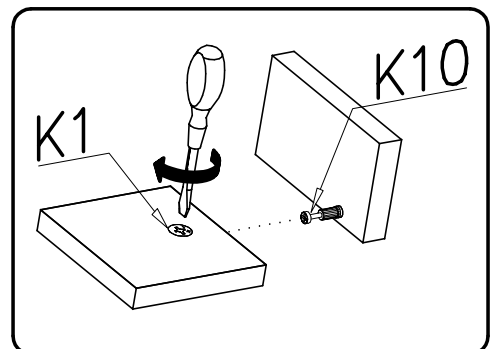
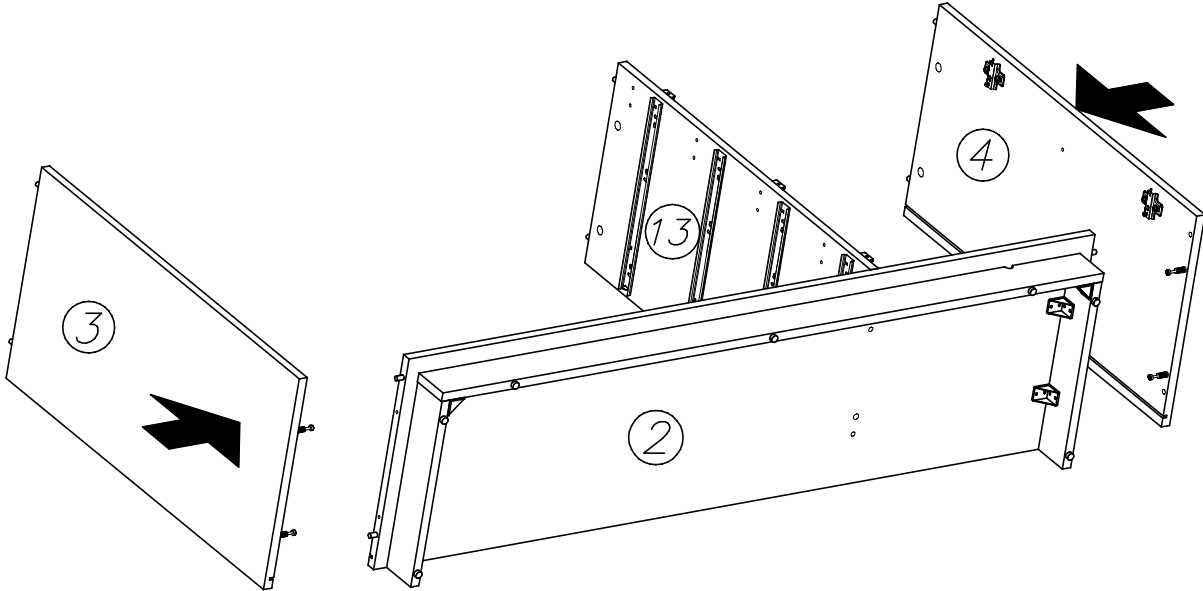
VIII



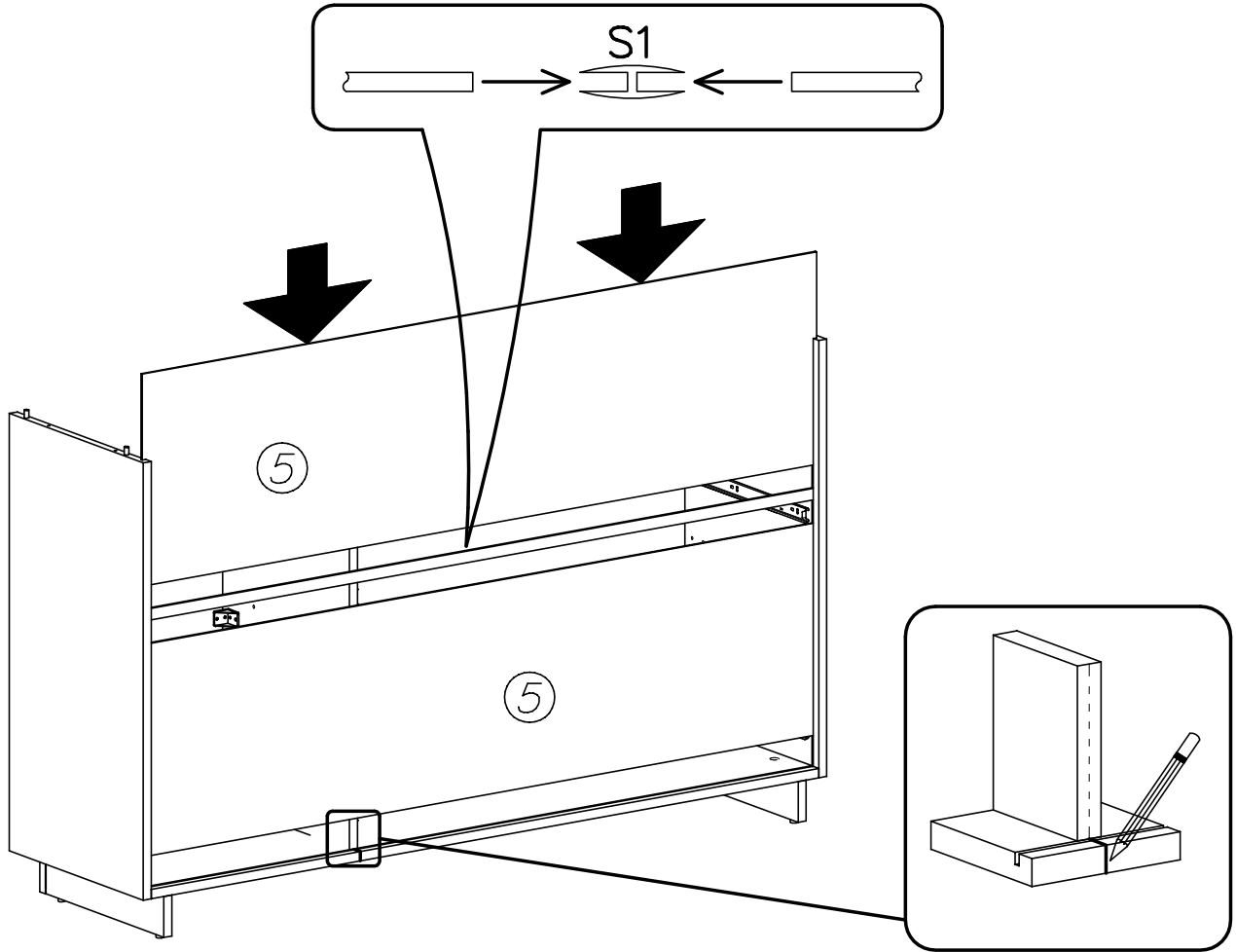
IX



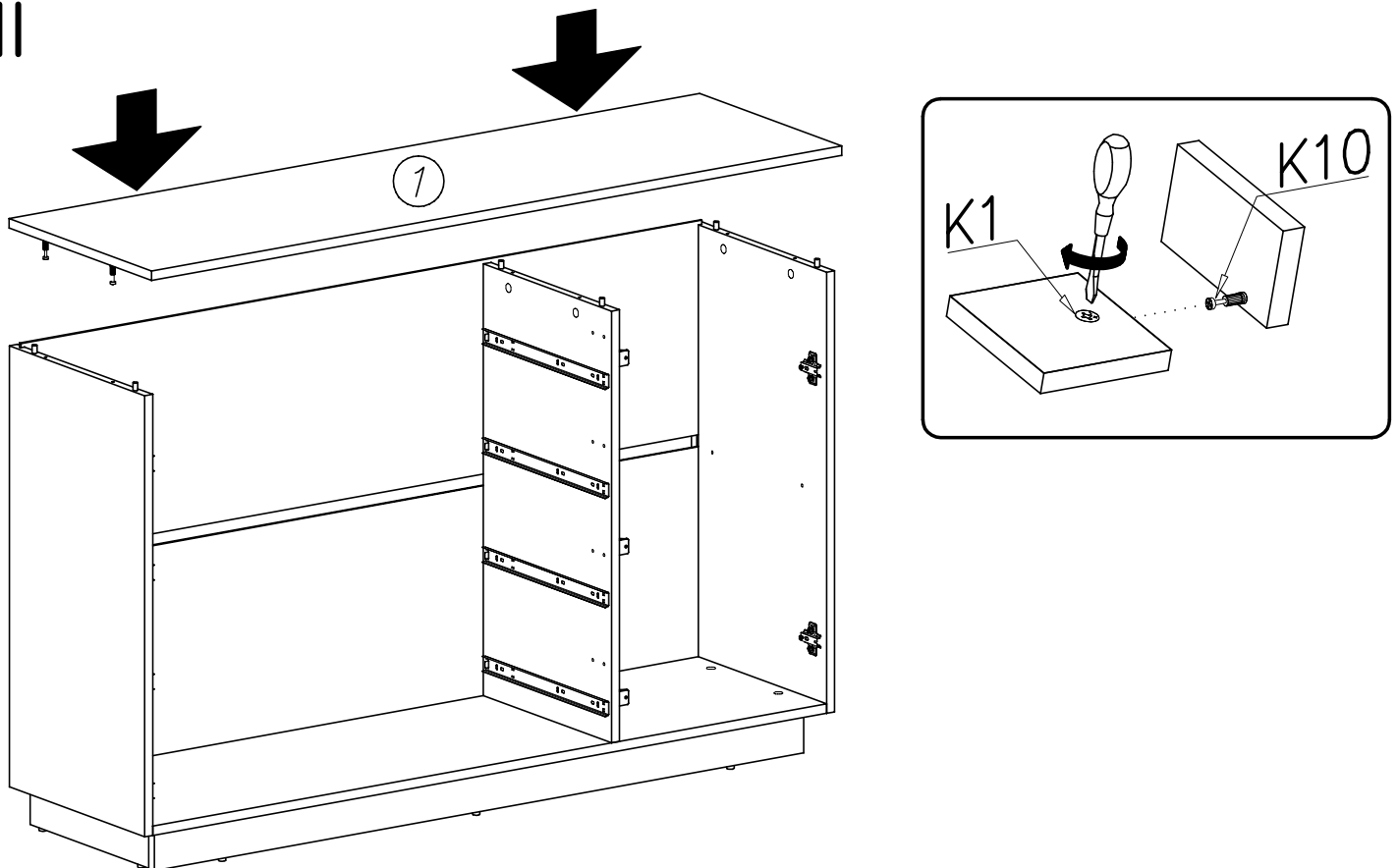
X



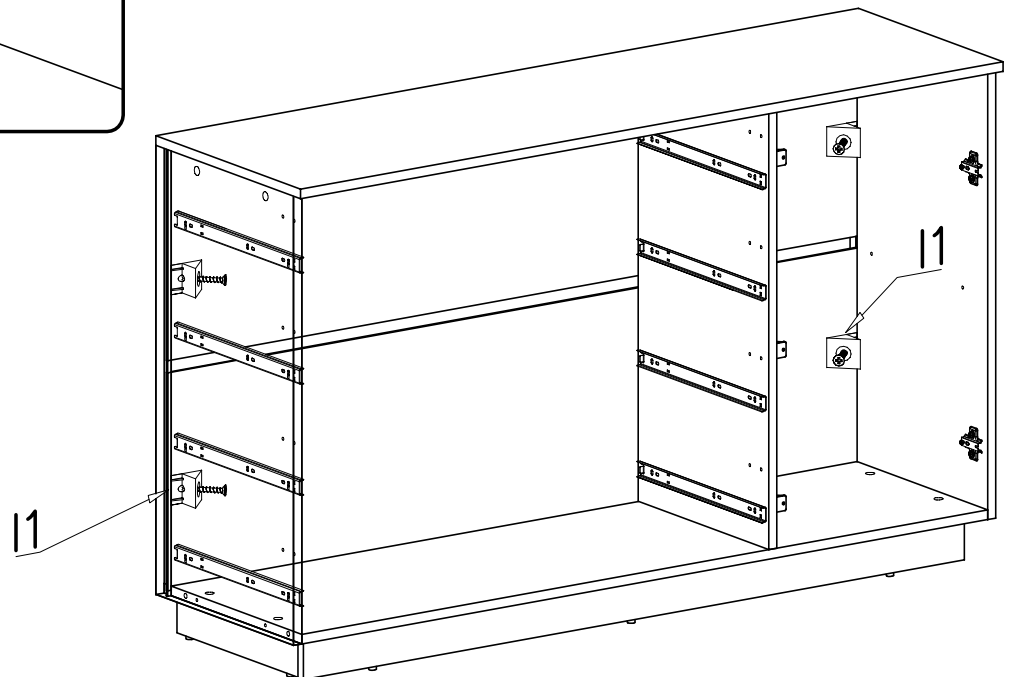
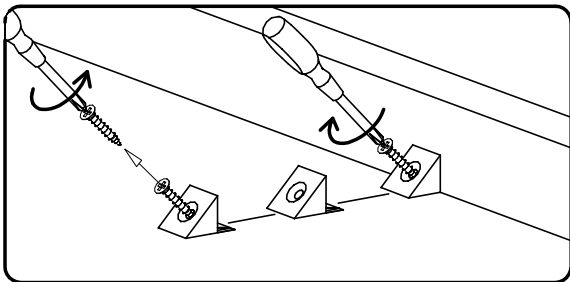
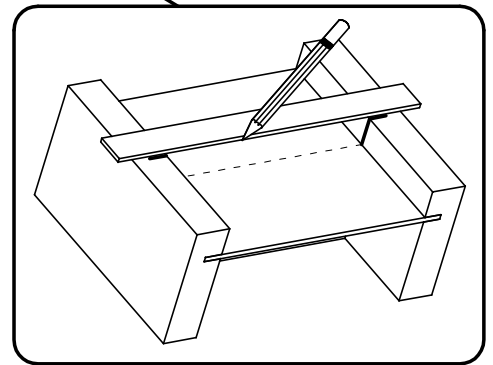
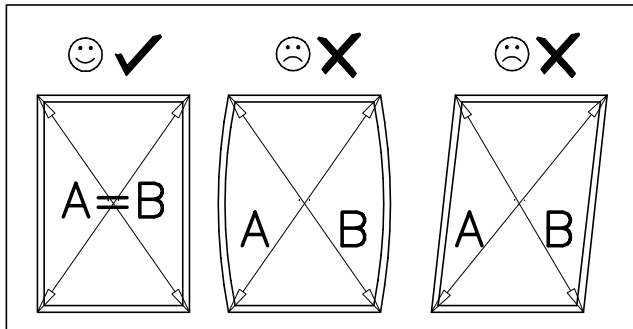
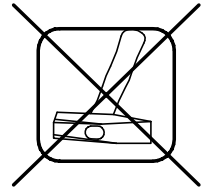
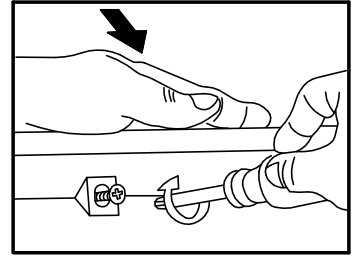
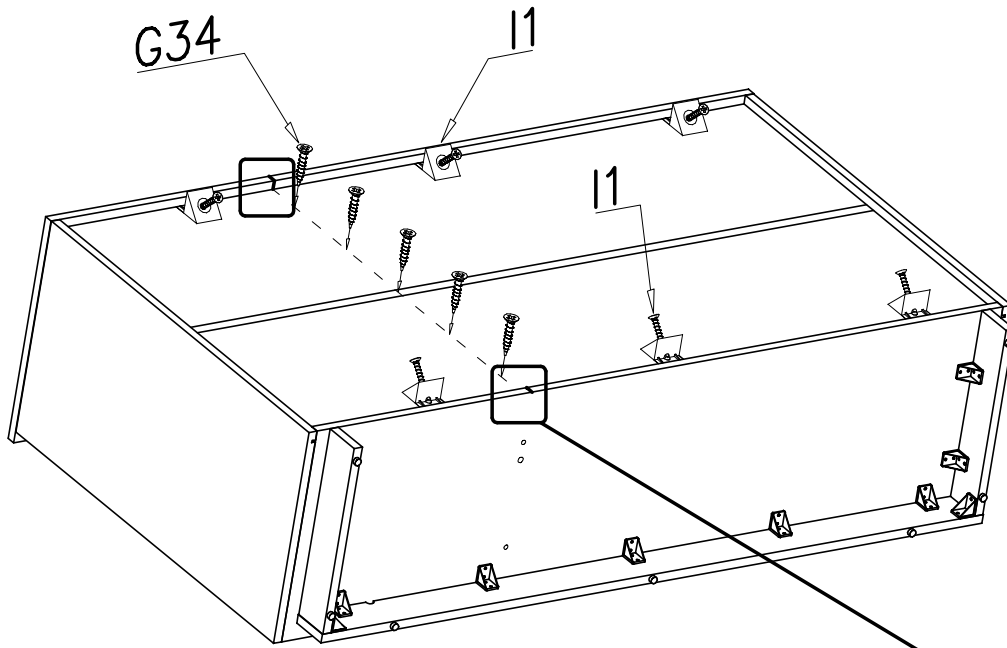
XI



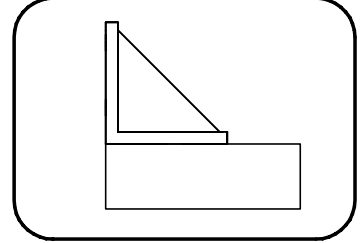
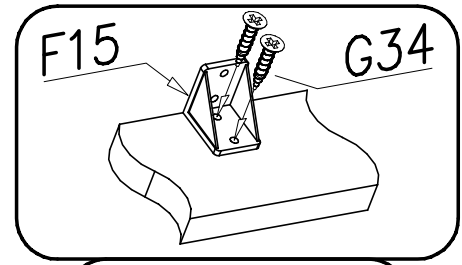
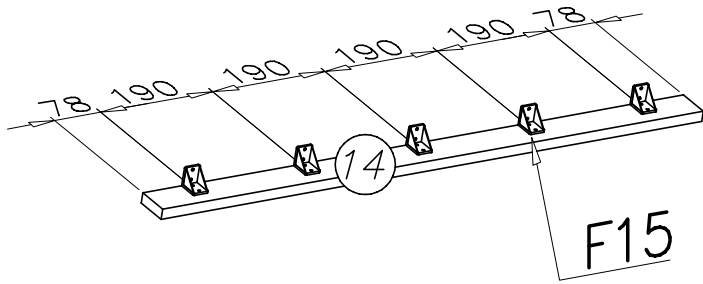
XII



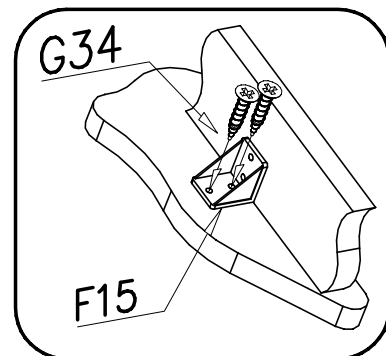
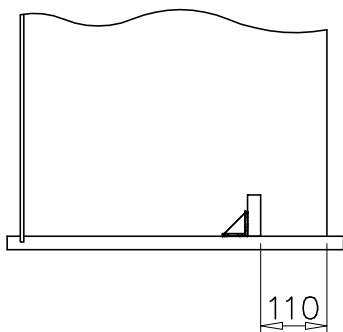
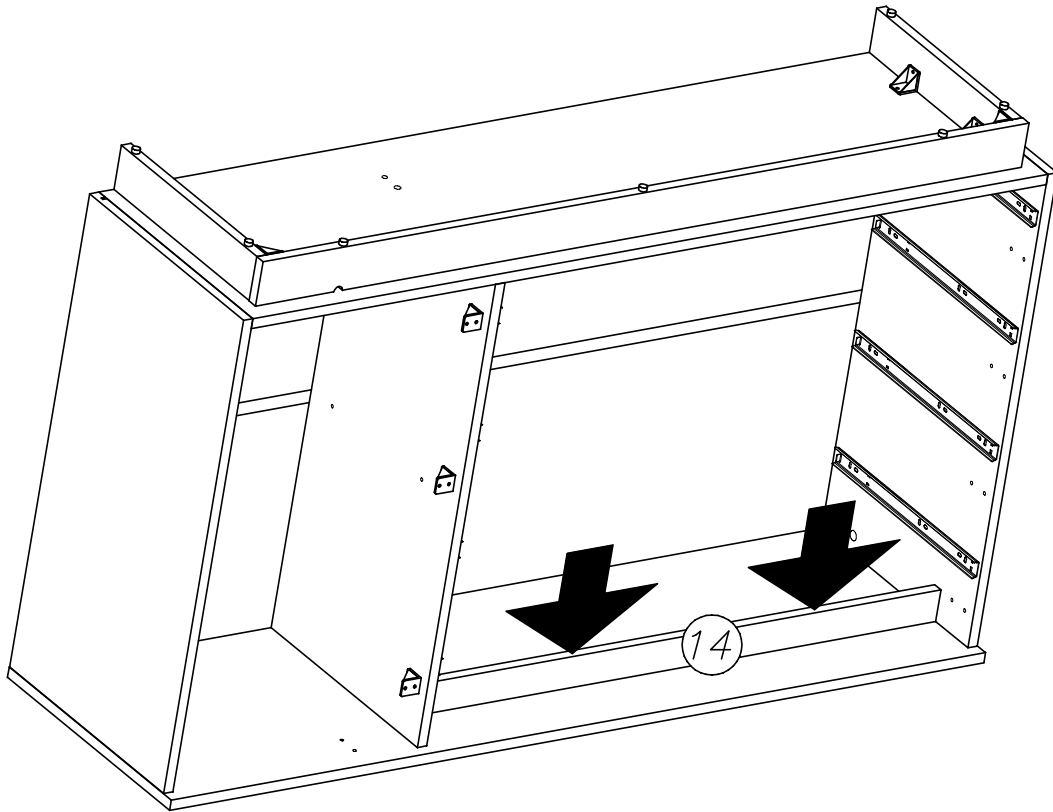
XIII



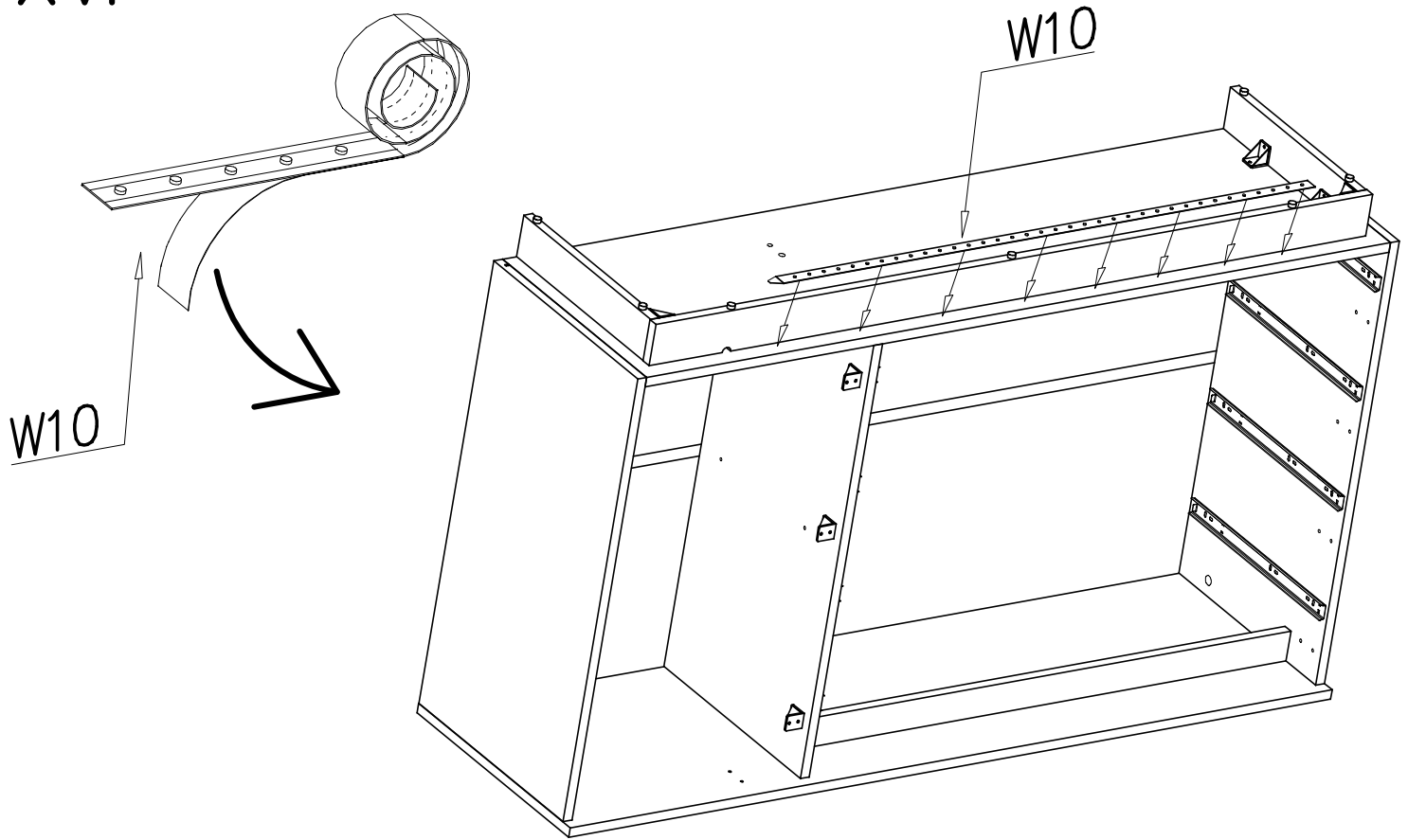
XIV



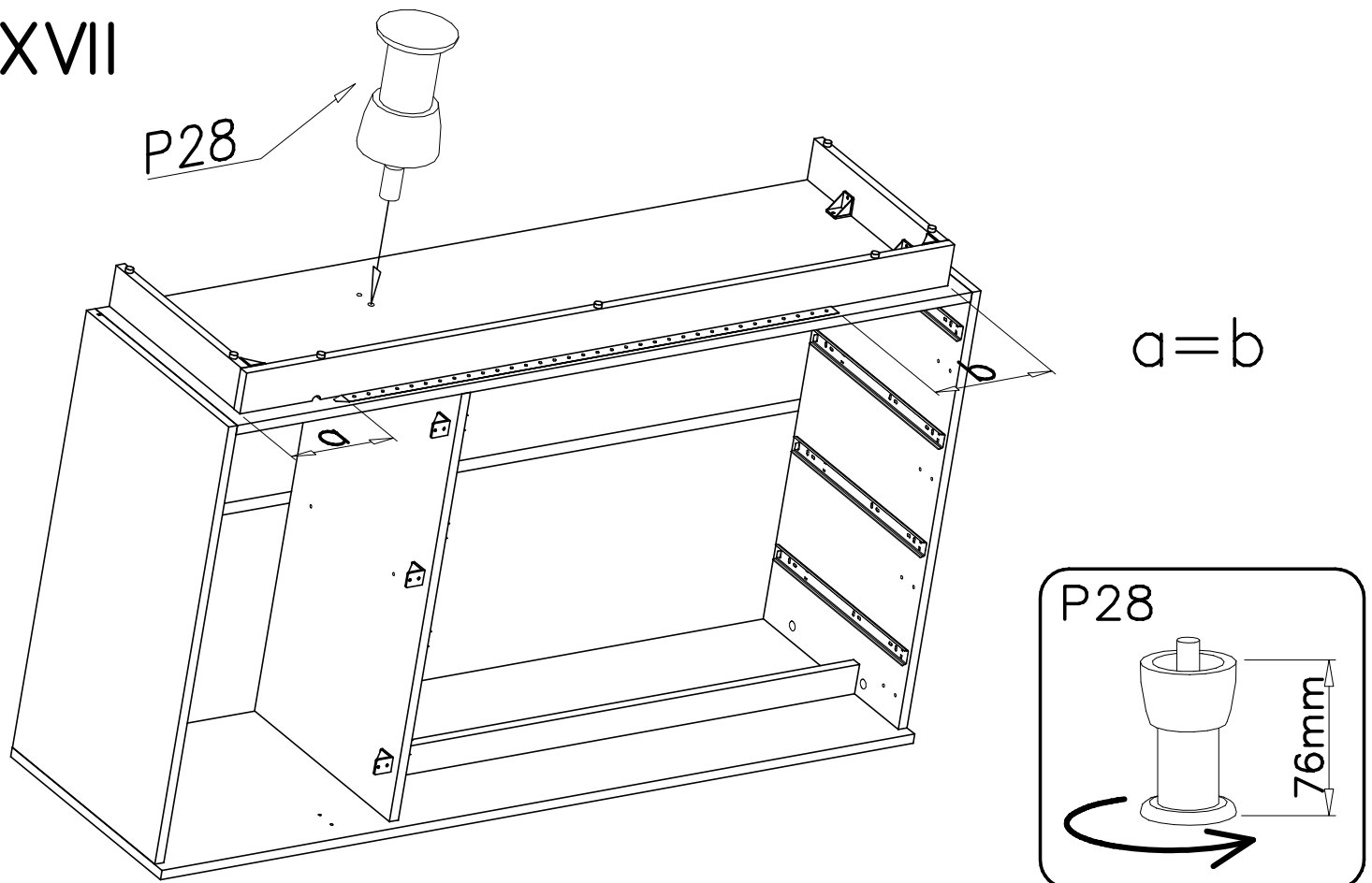
XV



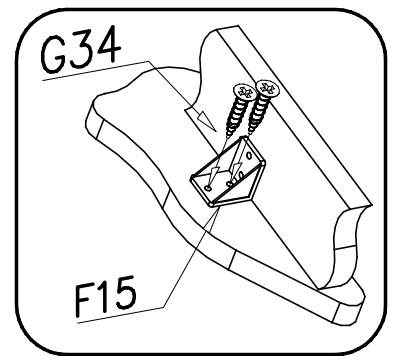
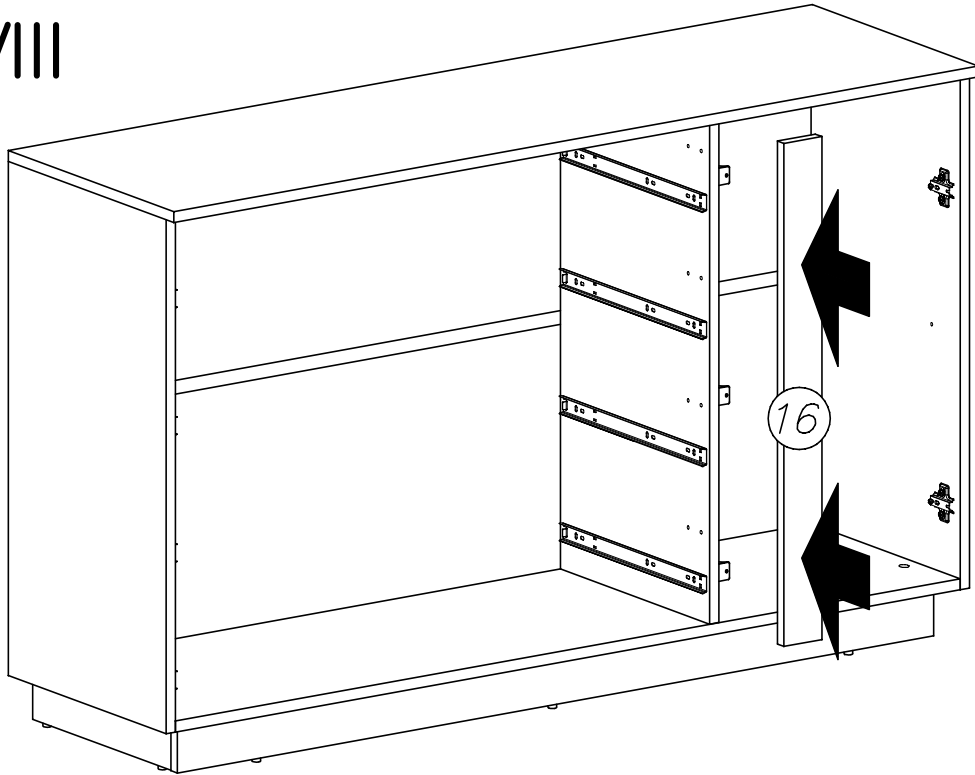
XVI



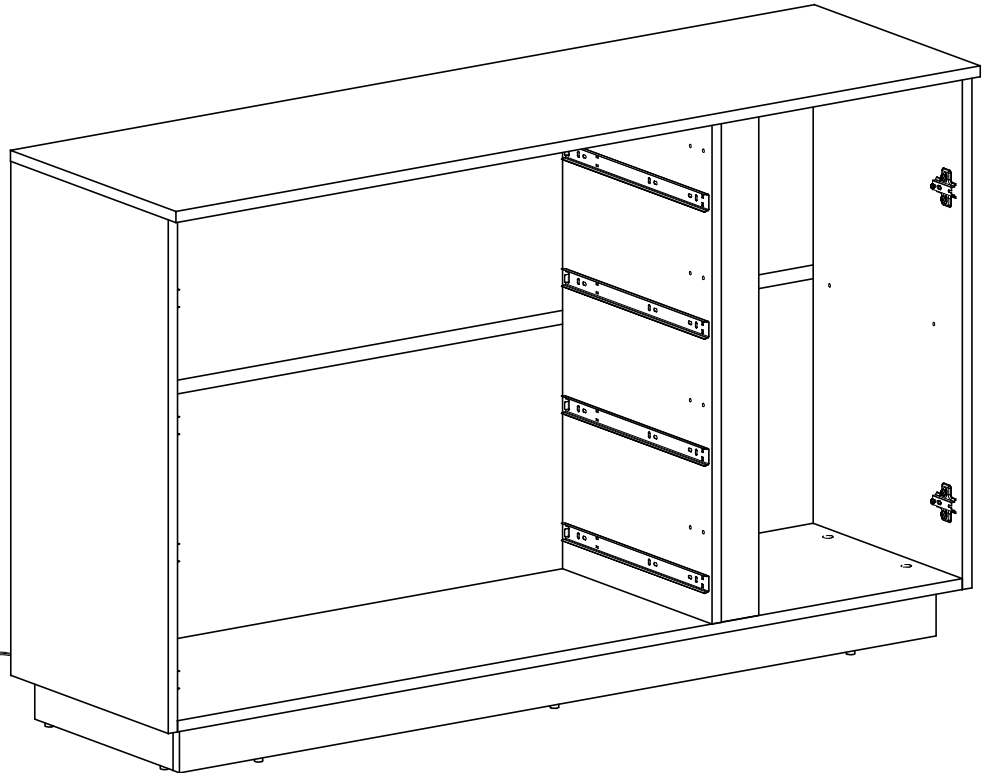
XVII



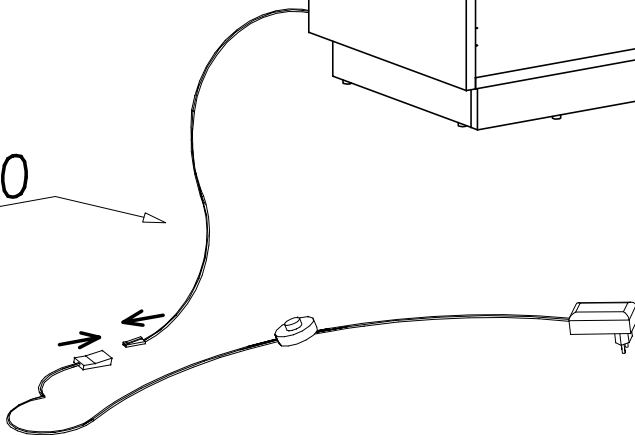
XVIII



XIX

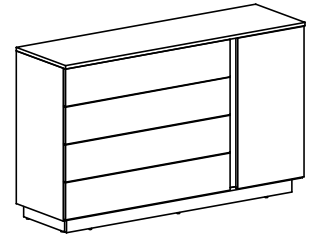
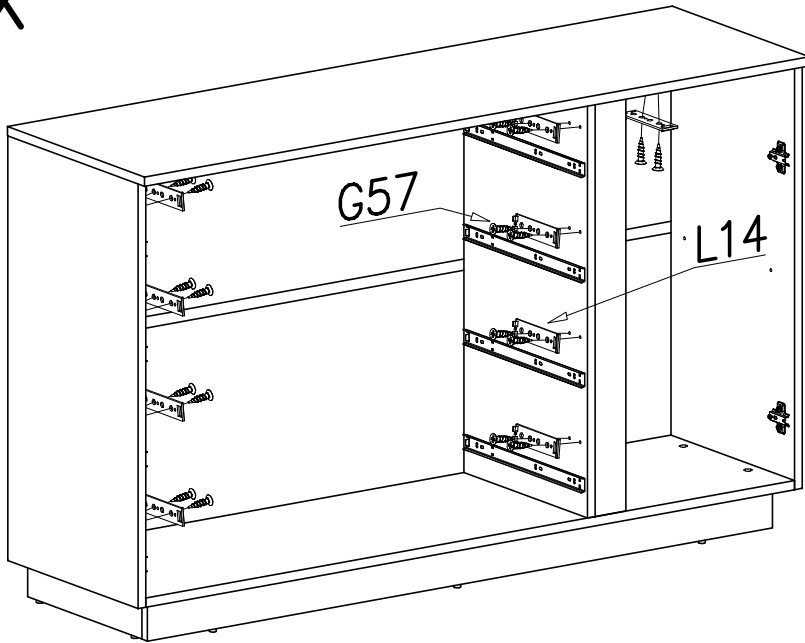


W10

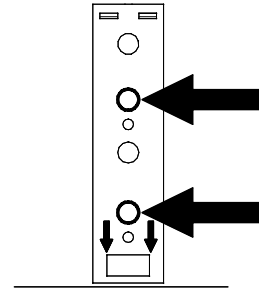


XX

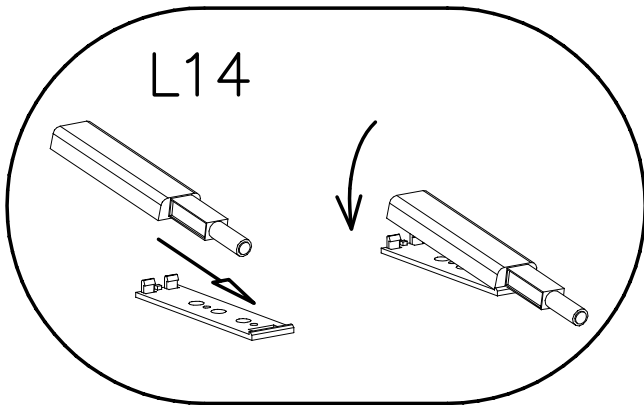
OPCJA B



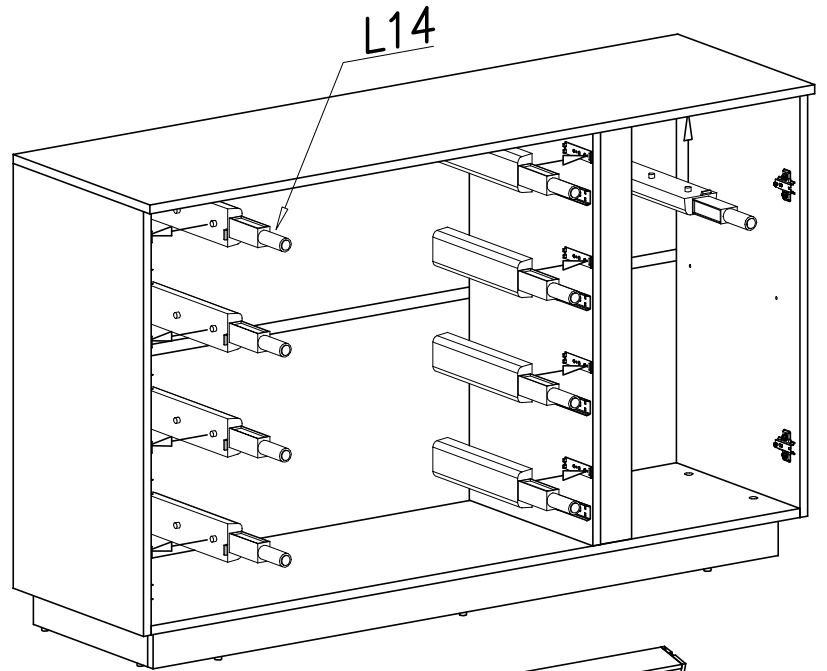
PUSH



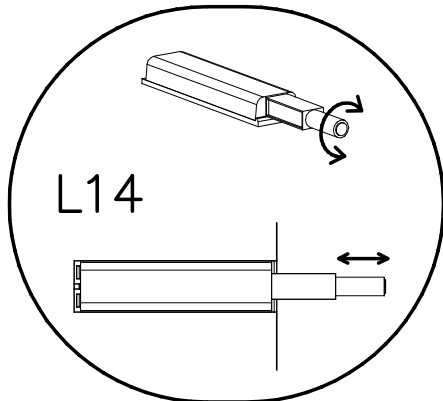
front



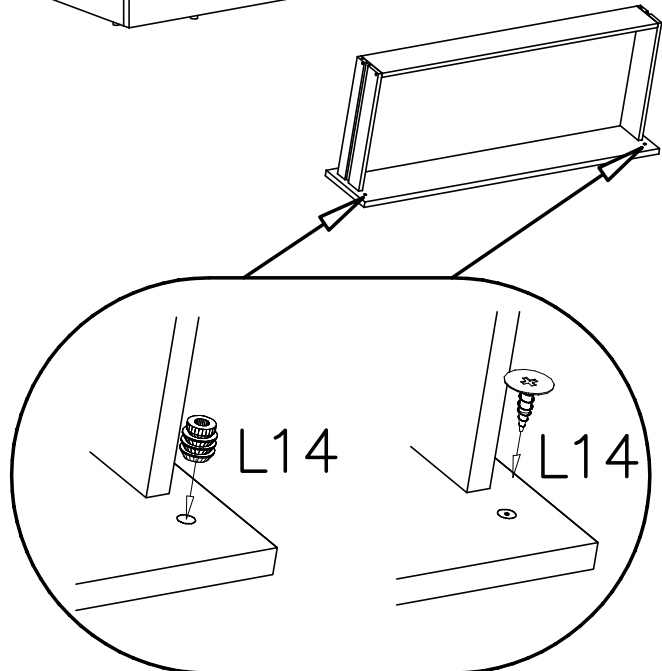
L14



L14



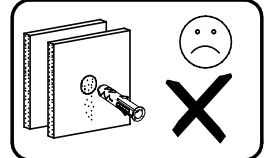
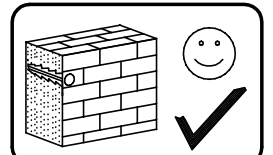
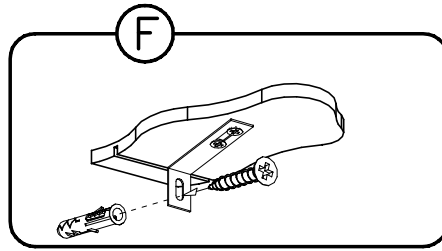
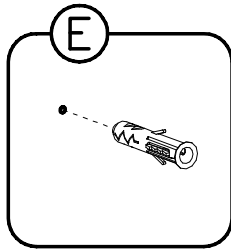
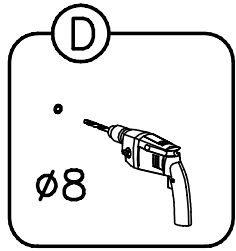
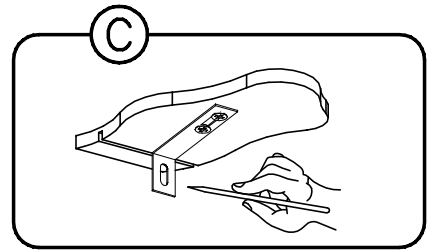
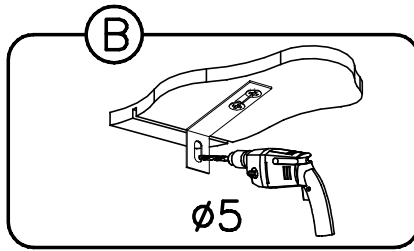
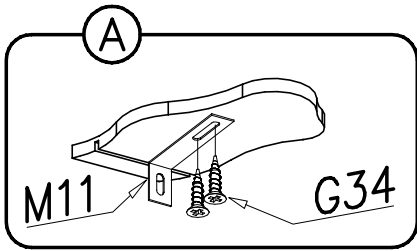
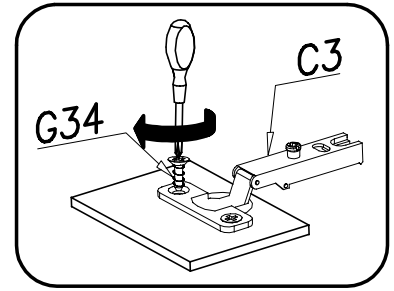
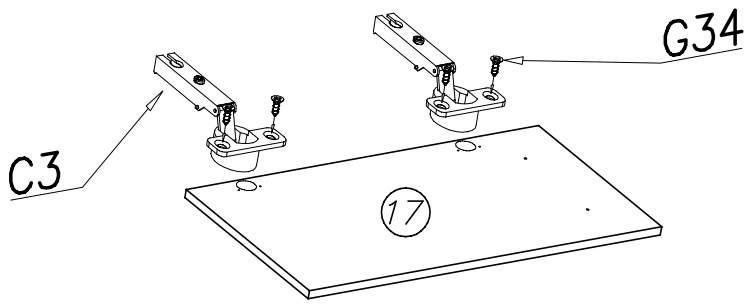
L14



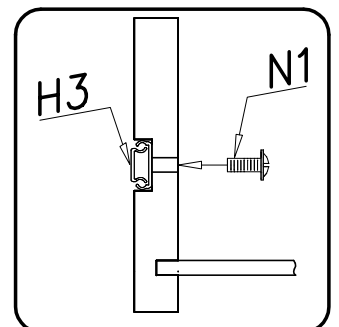
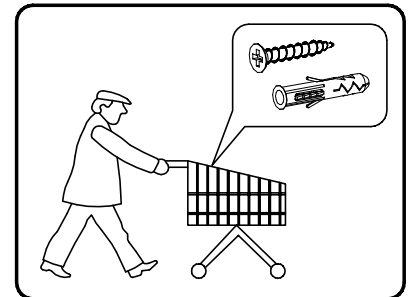
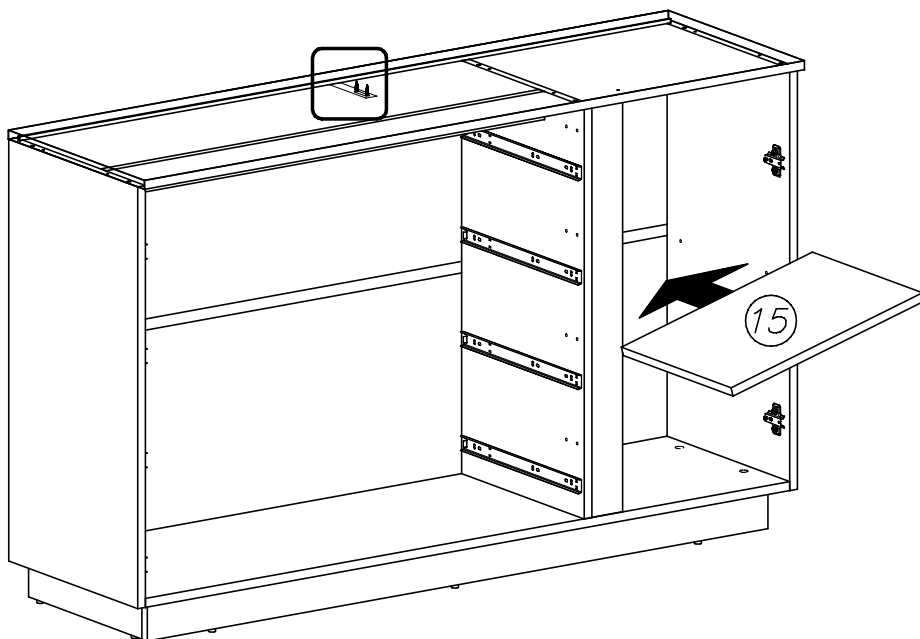
L14

L14

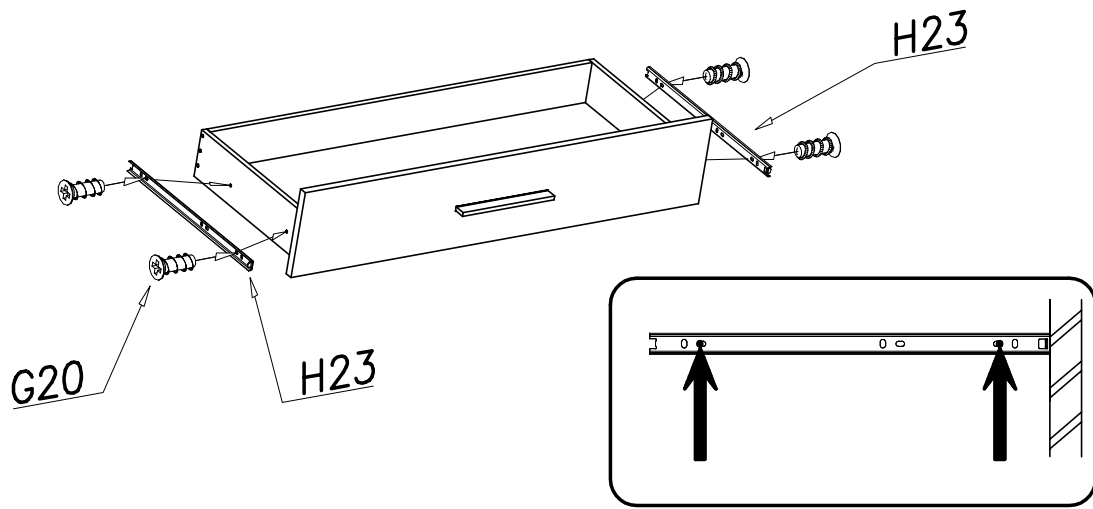
XXI



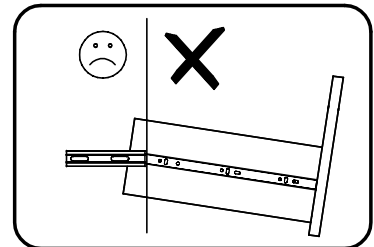
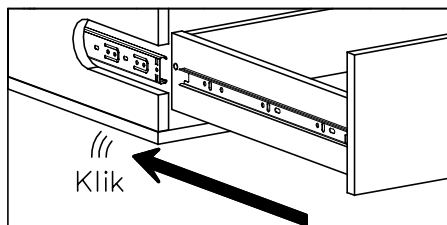
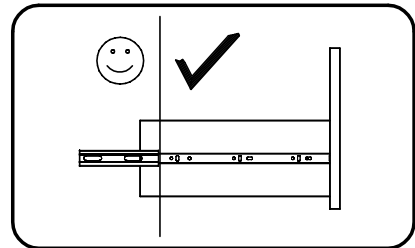
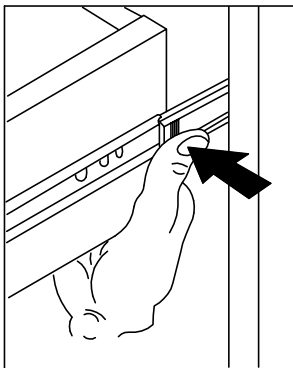
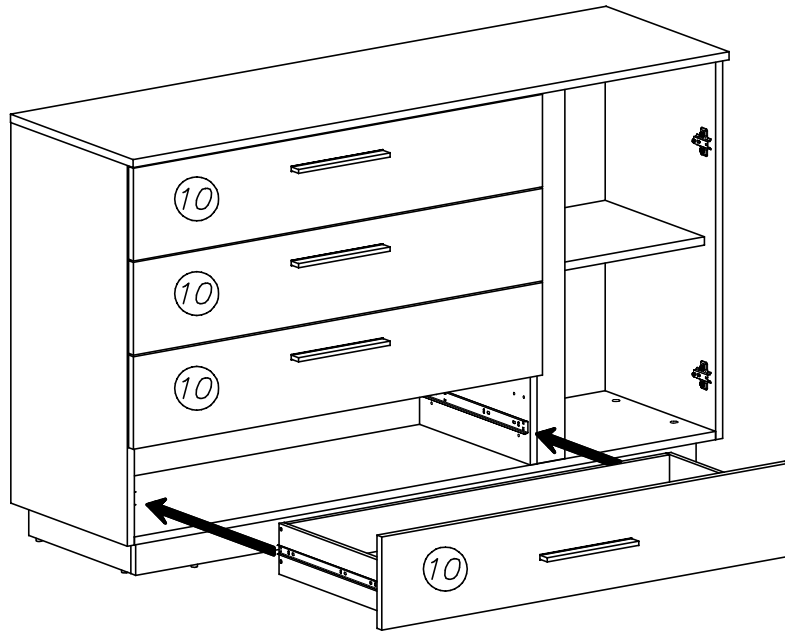
XXII



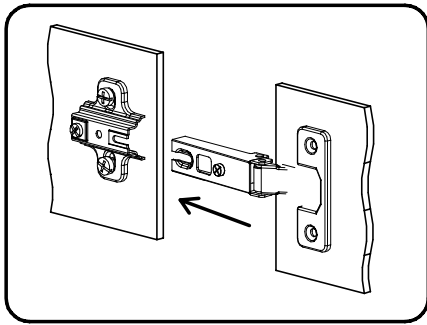
XXIII



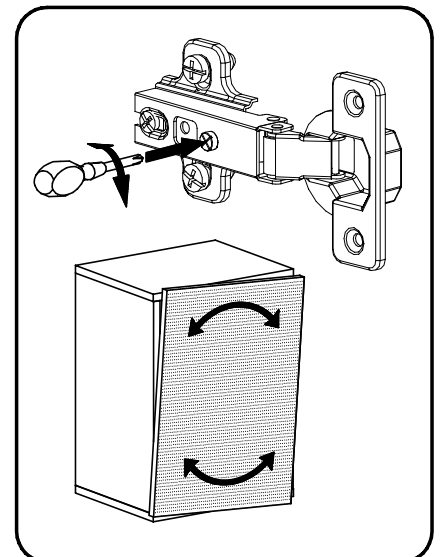
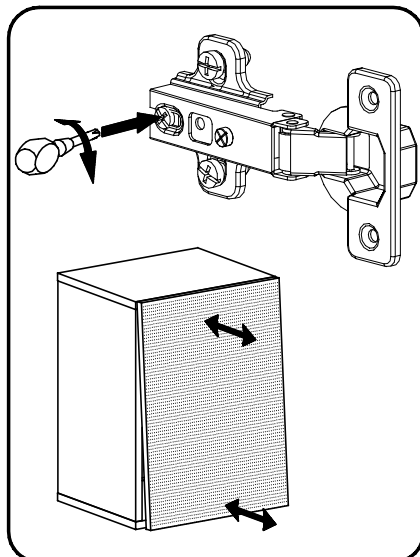
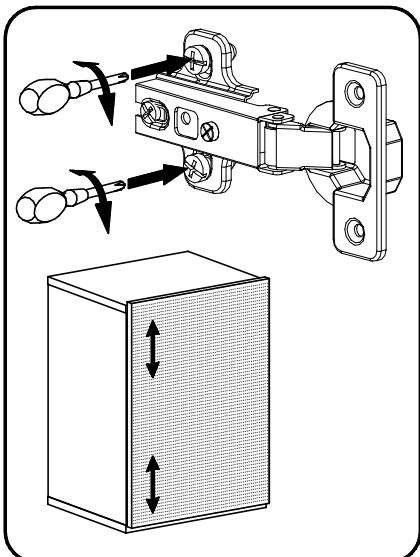
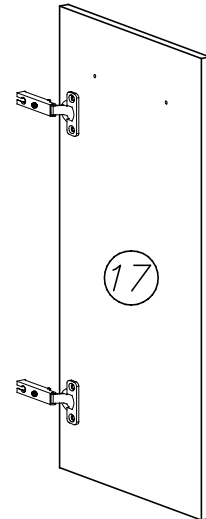
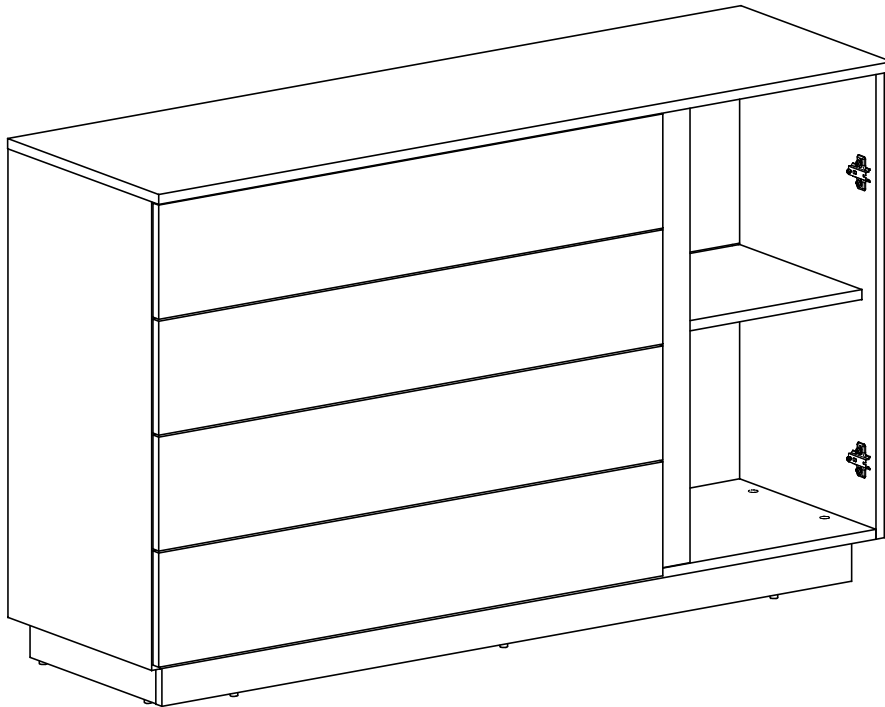
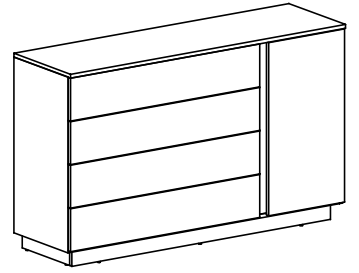
XXIV



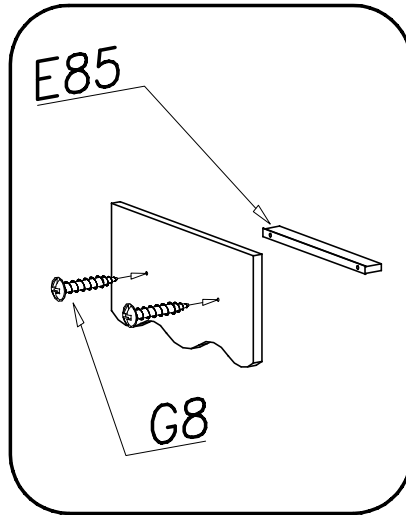
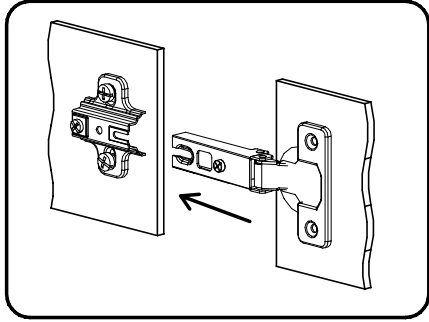
XXV



OPCJA B



XXVI



OPCJA A

