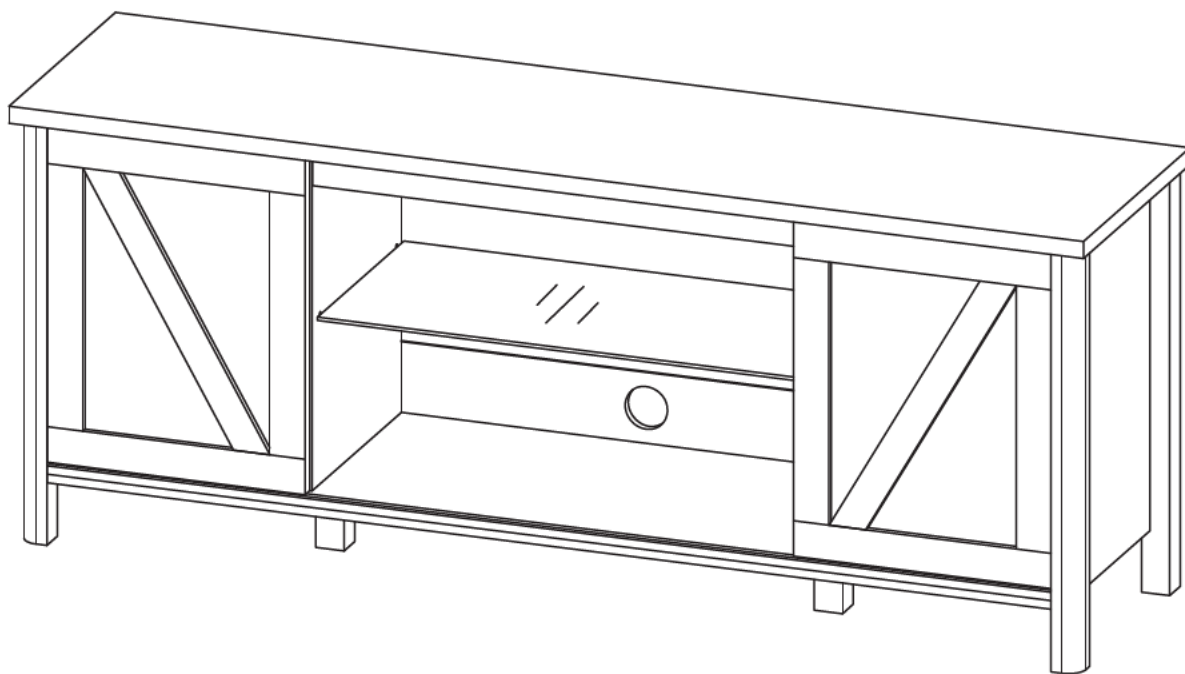


60" TV Stand with LED & Sliding Doors

Bestier

ASSEMBLY INSTRUCTION



Know more about Bestier from



CUSTOMER SUPPORT

CONTACT US BY:

PHONE: 888-666-1086

EMAIL: Service@bestier.net

Thanks for choosing Bestier!
Feel free to contact us if you need any help.
Please kindly share your shopping experience
with us on the platform if you are satisfied with it.

HELPFUL HINTS

! BEFORE YOU START

- Inspect product packaging to ensure the appearance is good.
- Read the assembly instruction carefully and follow it step by step.
- To avoid any scratching, putting a soft blanket on the floor is suggested.
- Identify, sort and count all the parts with tags.
- Find out installation position according to the drawing and install it in correct steps.

! OTHER

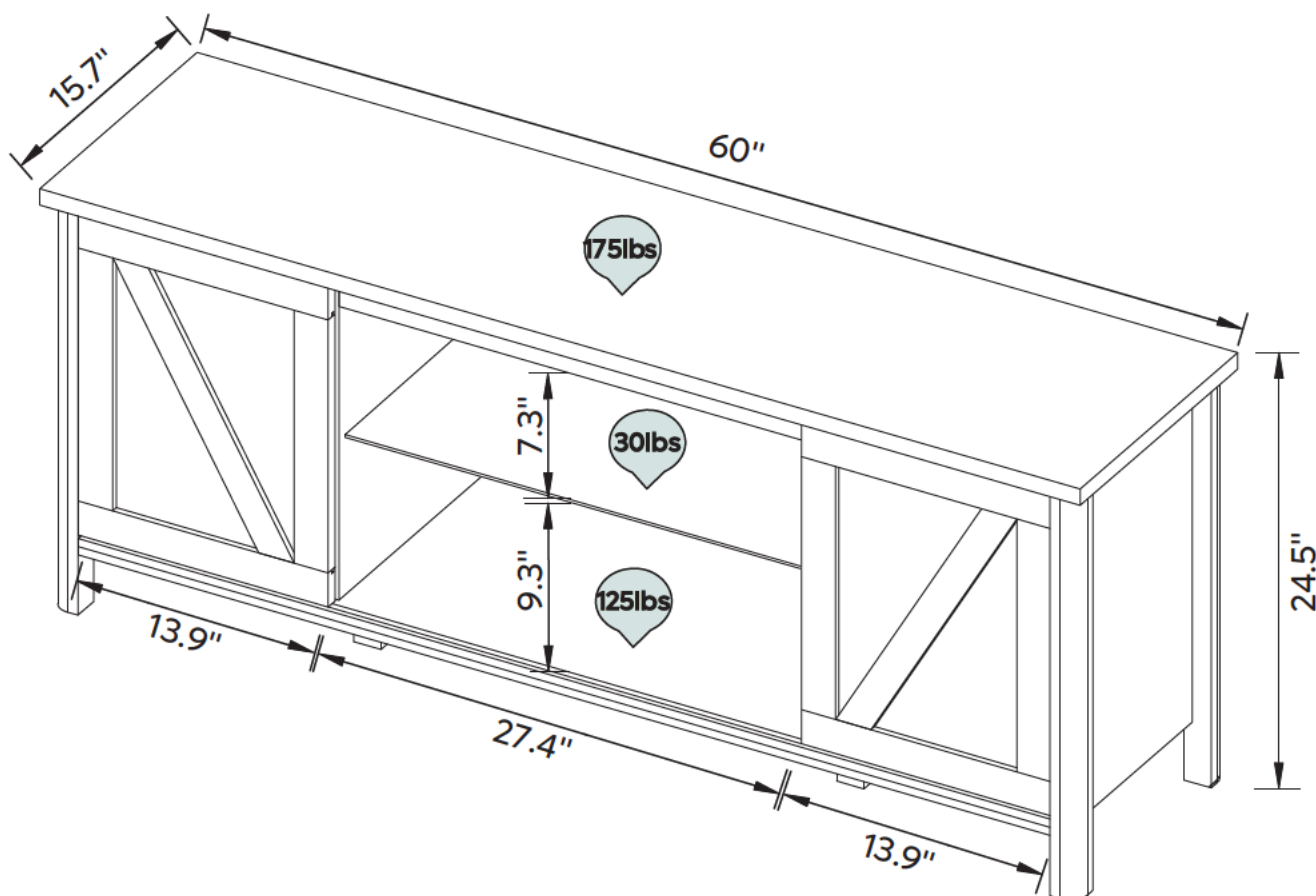
- People needed for assembly: 2
- Estimated assembly time: 0.5-1.5h

! CAUTION

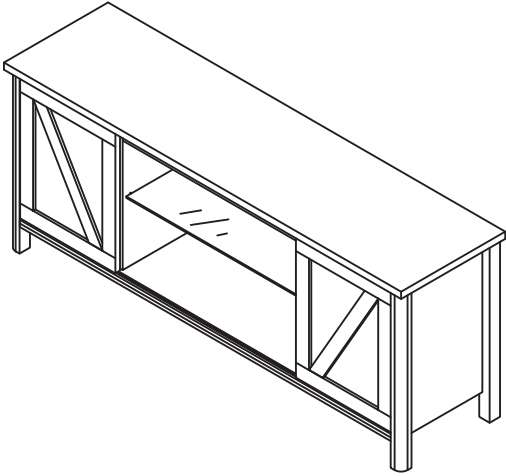
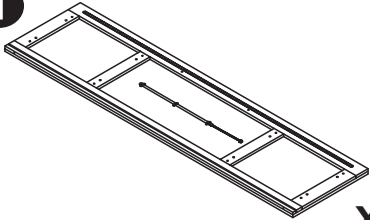
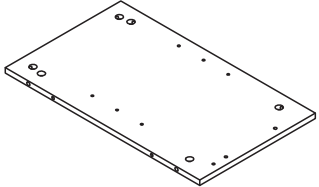
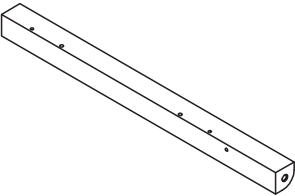
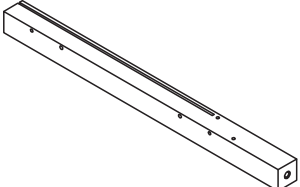
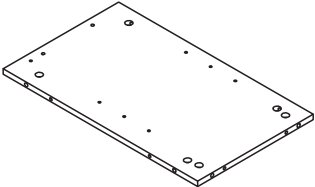
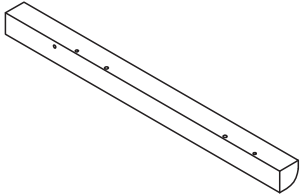
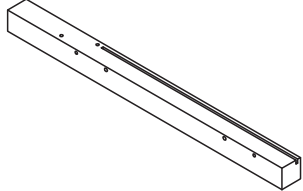
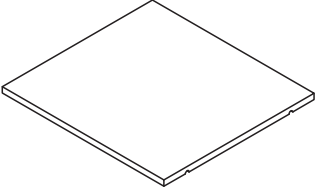
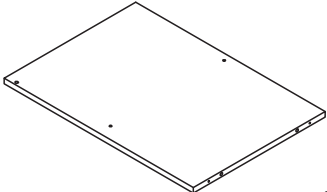
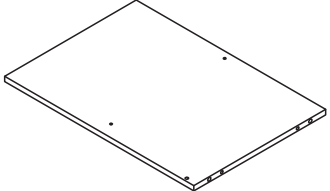
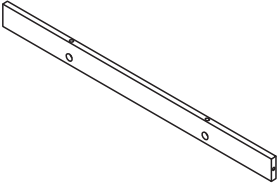
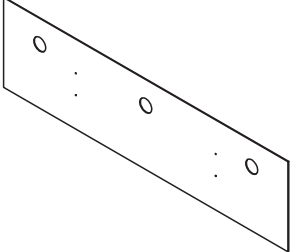
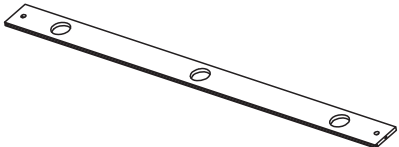
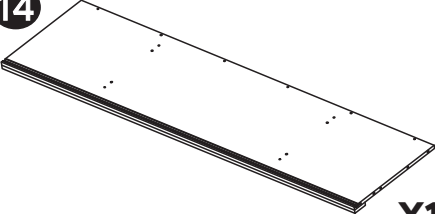
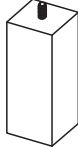
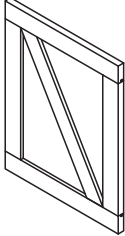
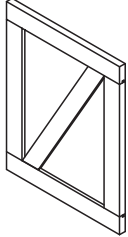
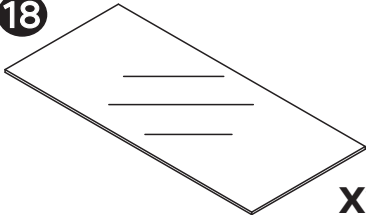
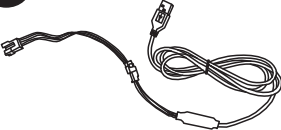
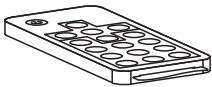
- Be cautious when using a power drill or power screwdriver.
- Please be aware to slow down and stop when screw is nearly tight.
- Do Not use any harsh chemicals or abrasive cleaners for this item.
- Push, pull or drag this item carefully.

DETAILS











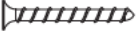


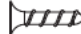


UNIT : INCH



PART LIST

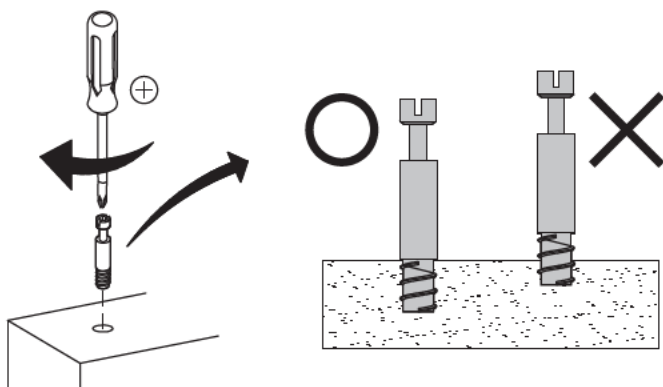
	1  X1	2  X1	
3  X1	4  X1		
5  X1	6  X1	7  X1	
8  X2	9  X1	10  X1	
11  X1	12  X1	13  X1	
14  X1	15  X2	16  X1	
17  X1	18  X1	19  X1	20  X1

ACCESSORY LIST

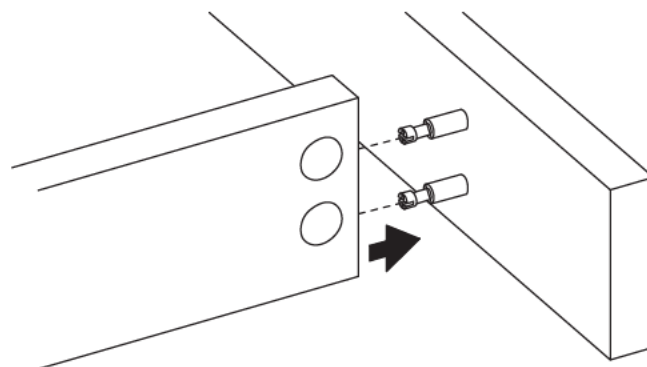
No.	PICTURE	SIZE	QTY	No.	PICTURE	SIZE	QTY
A		Ø6x40mm	26+3	F		Ø8xØ4x12mm	8
B		Ø15x10mm	26+3	G			4
C		Ø6x30mm	28+3	H			4
D		Ø7xØ3.5x12mm	4	I			8
E		Ø8x4x40mm	8+1	J			4
WALL MOUNTING KIT							
WA		Ø8xØ4x40mm	2	WD			2
WB			2	WE		Ø8xØ4x12mm	2
WC			4				

Detailed Installation for Accessory A B

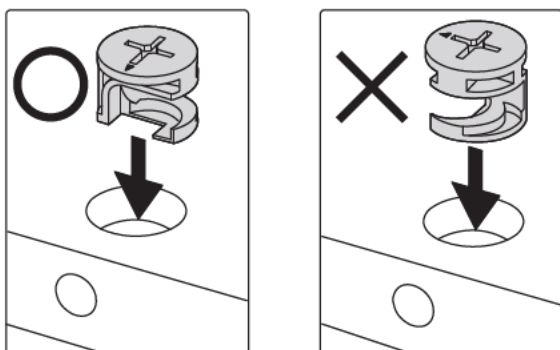
1 Screw cam dowel on the panel.



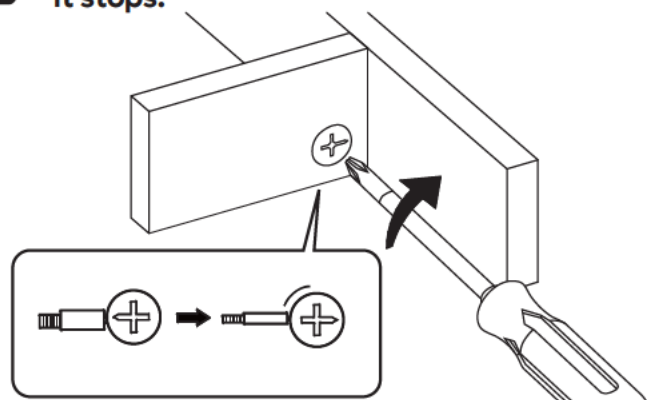
2 Place another panel via the dowel.



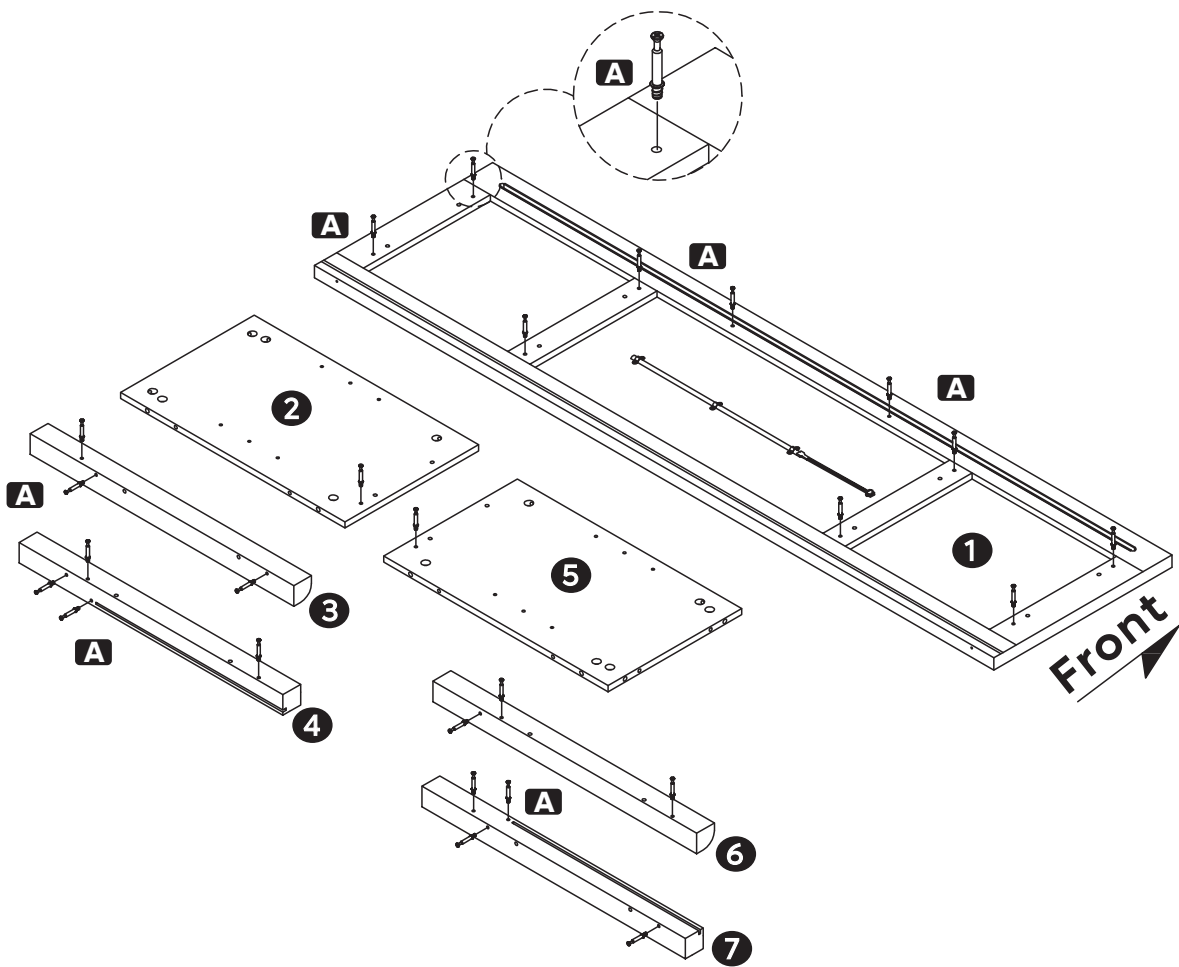
3 Pay attention to the direction of cam lock when putting it into hole.



4 Tighten up cam lock clockwise until it stops.

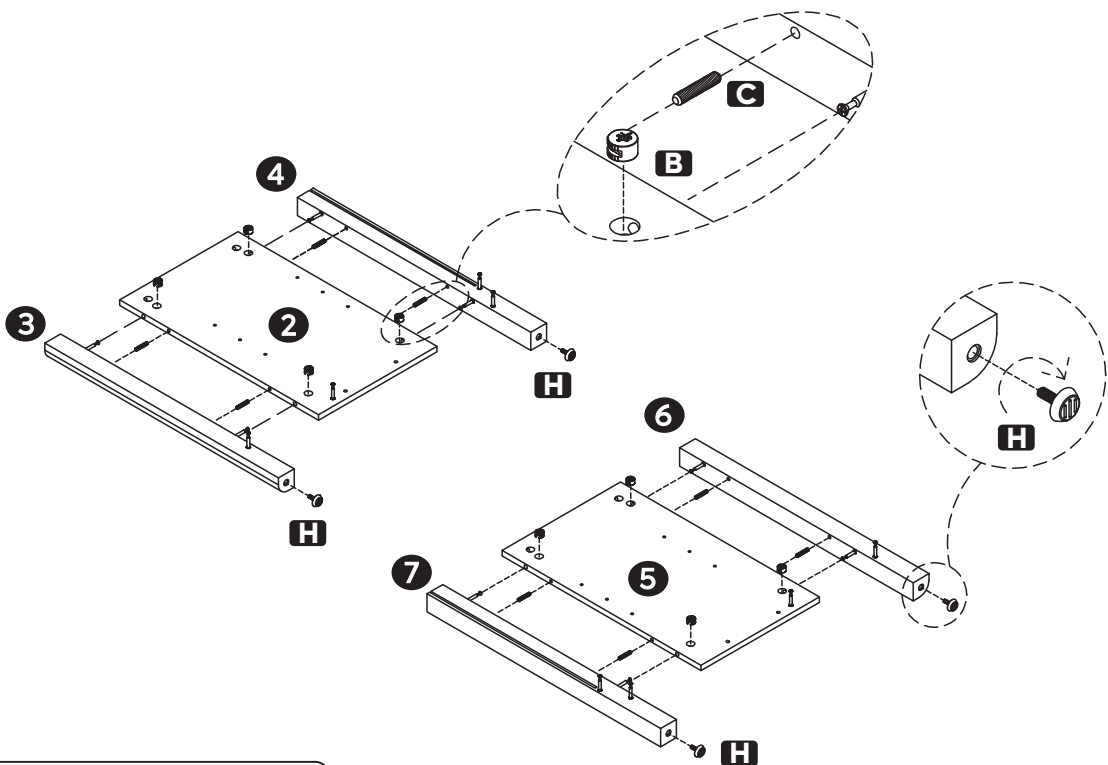


STEP 1



A  Ø6x40mm 26

STEP 2

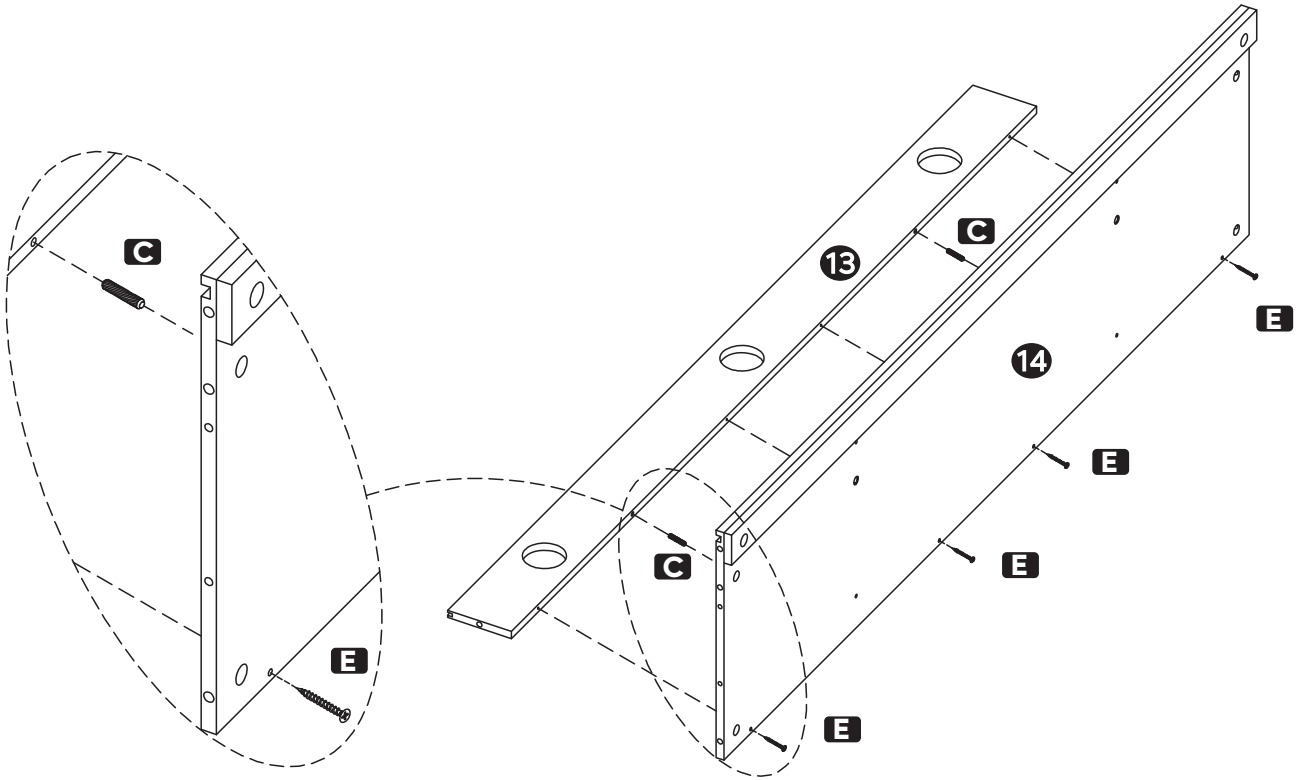



B  Ø15x10mm 8


C  Ø6x30mm 8

H  4

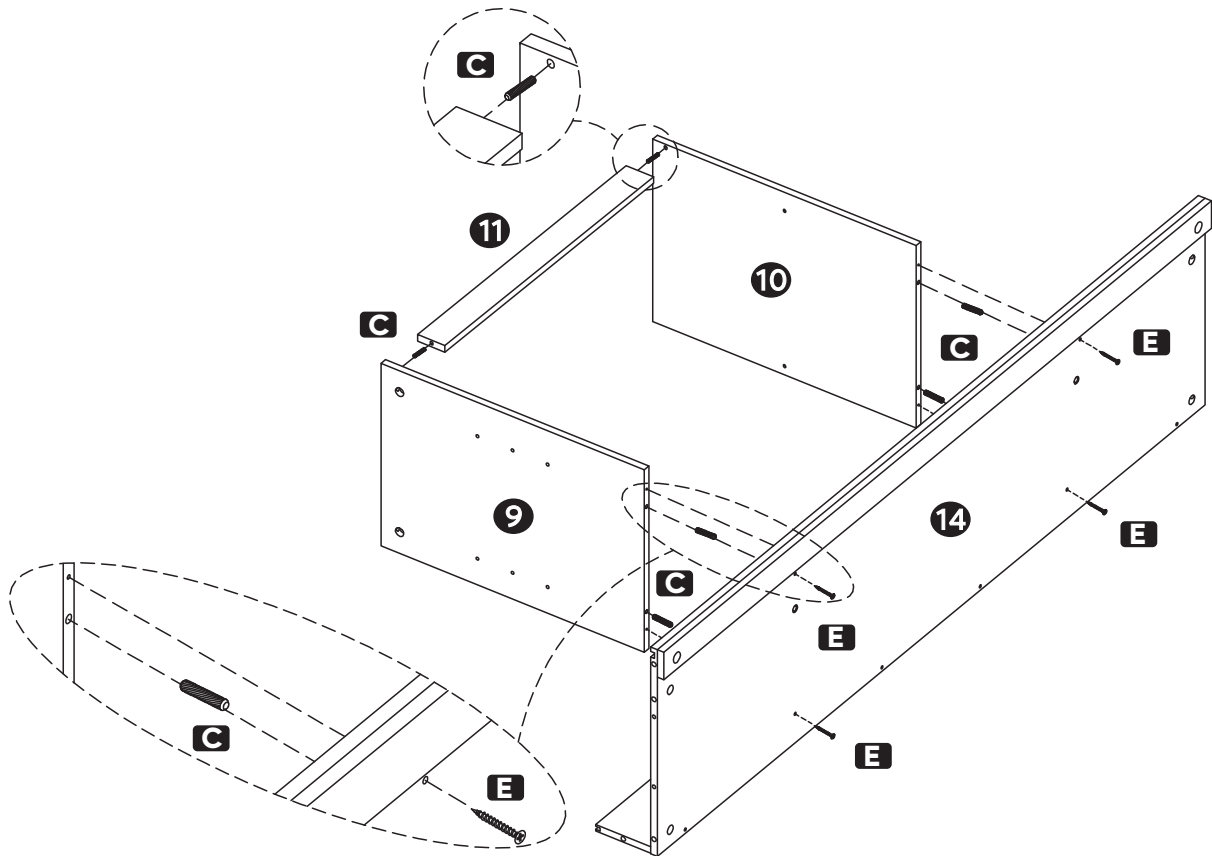
STEP 3




C  Ø6x30mm 2

E  Ø8x4x40mm 4

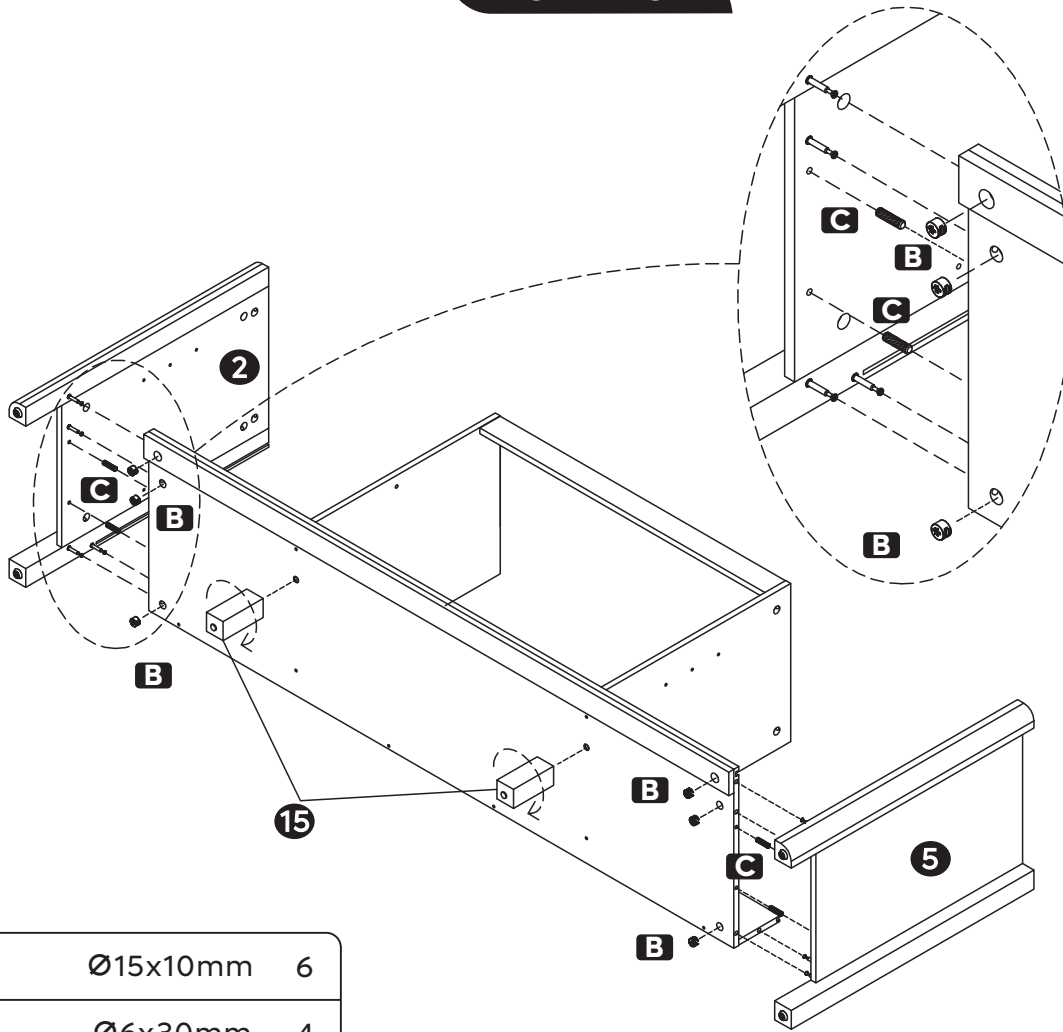
STEP 4





C  Ø6x30mm 6

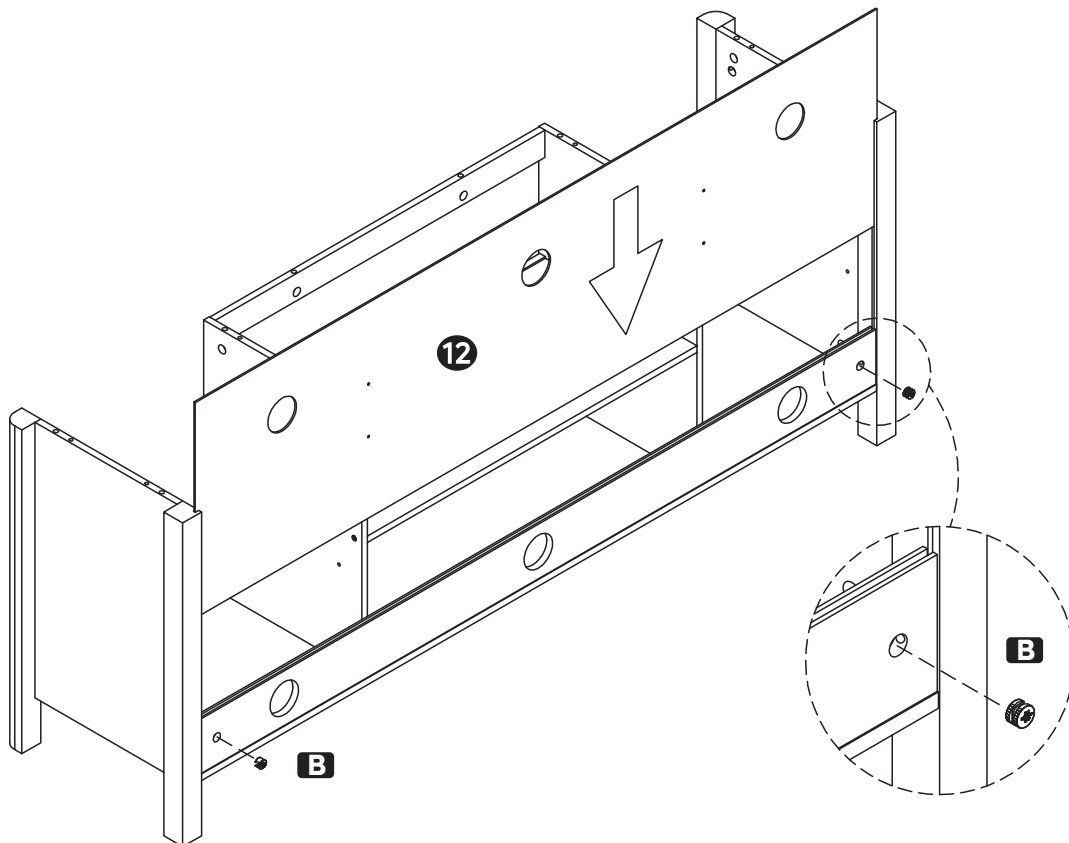
E  Ø8x4x40mm 4

STEP 5



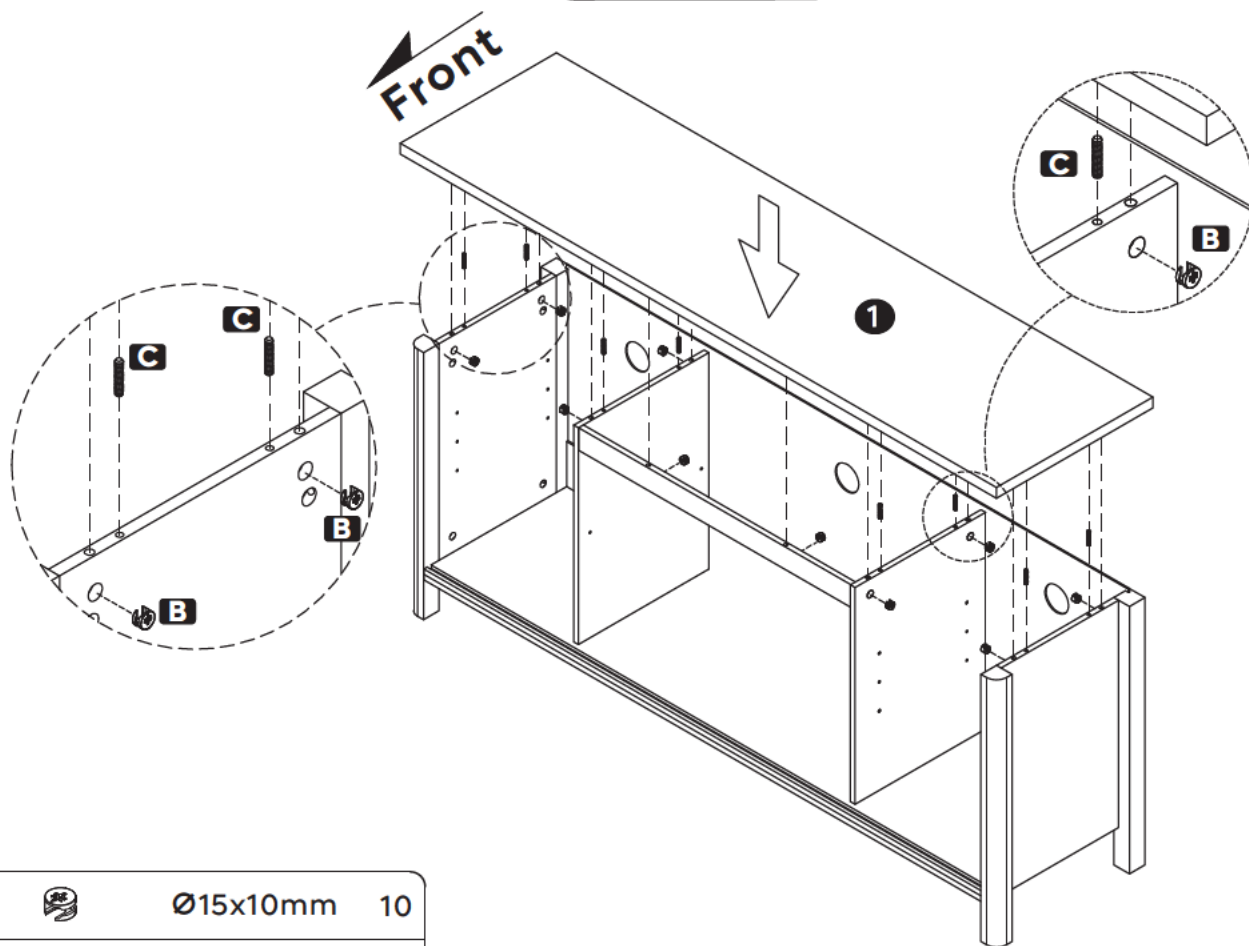
B		Ø15x10mm	6
C		Ø6x30mm	4



STEP 6



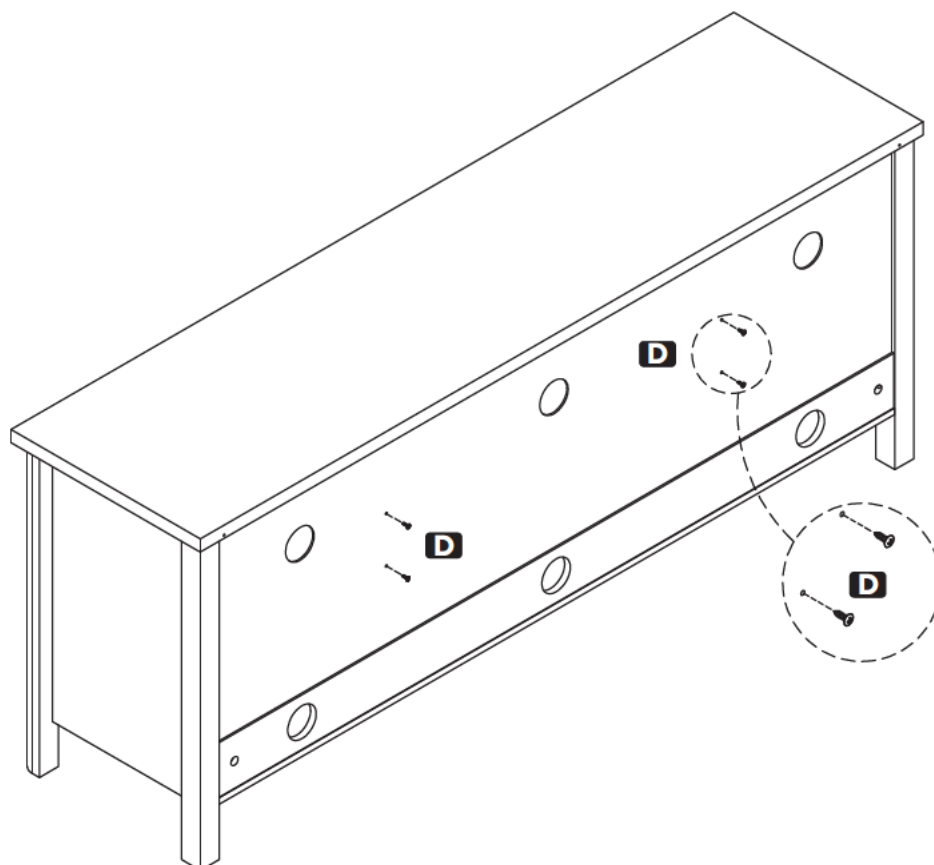
B		Ø15x10mm	2
----------	---	----------	---


STEP 7



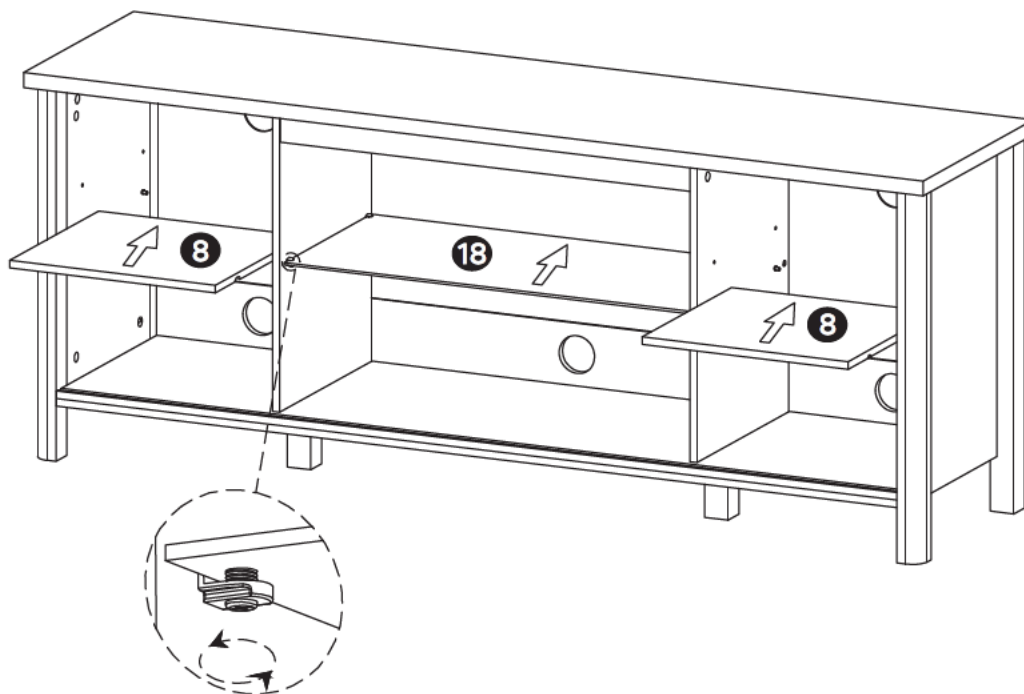
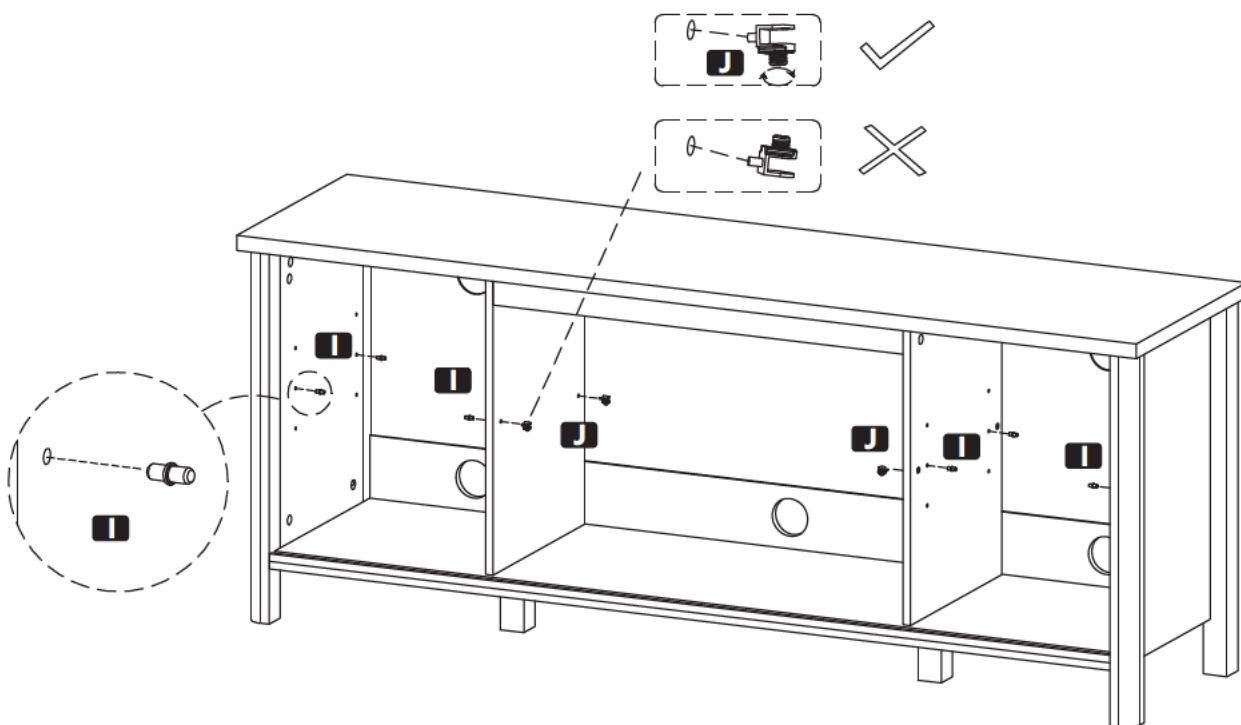
B		Ø15x10mm	10
C		Ø6x30mm	8

STEP 8



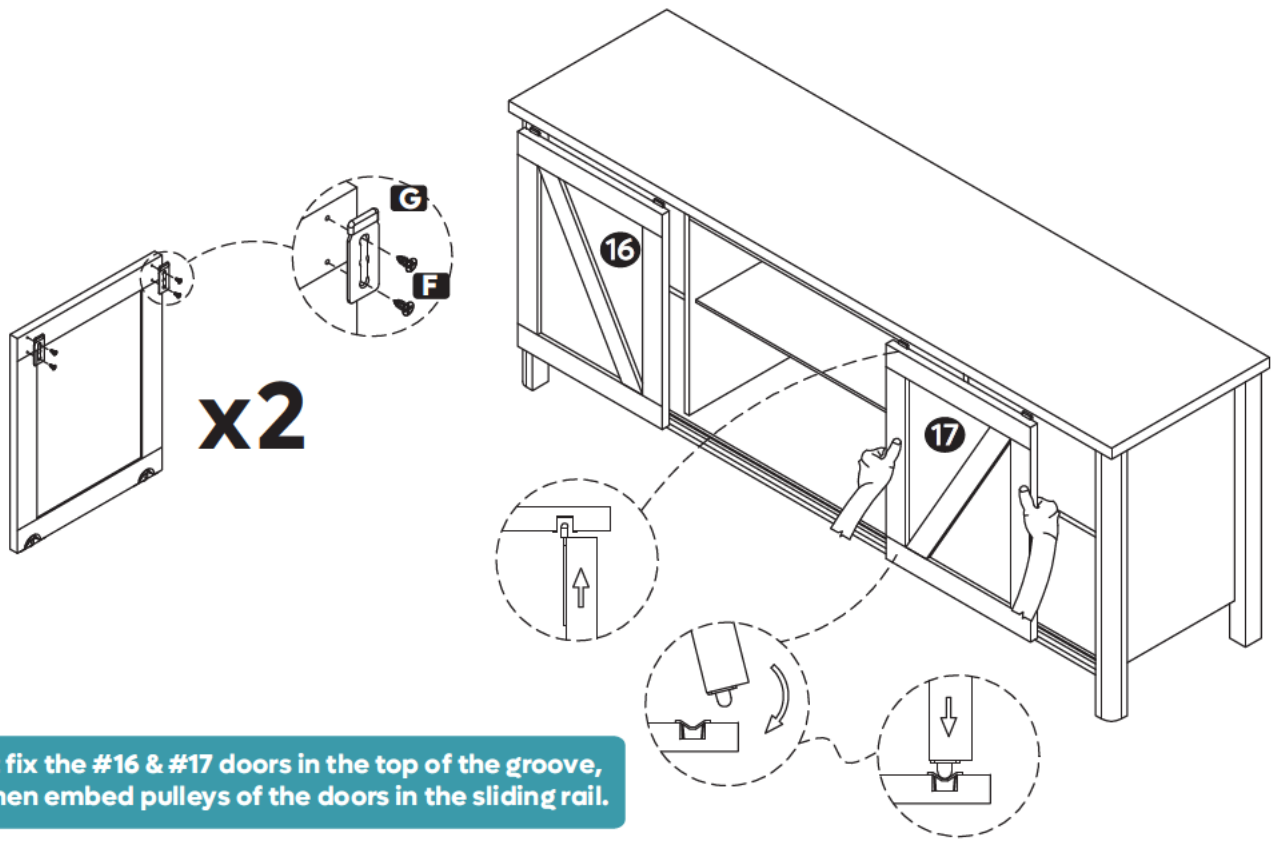
D		Ø7xØ3.5x12mm	4
----------	---	--------------	---

STEP 9




I		8
J		4

STEP 10

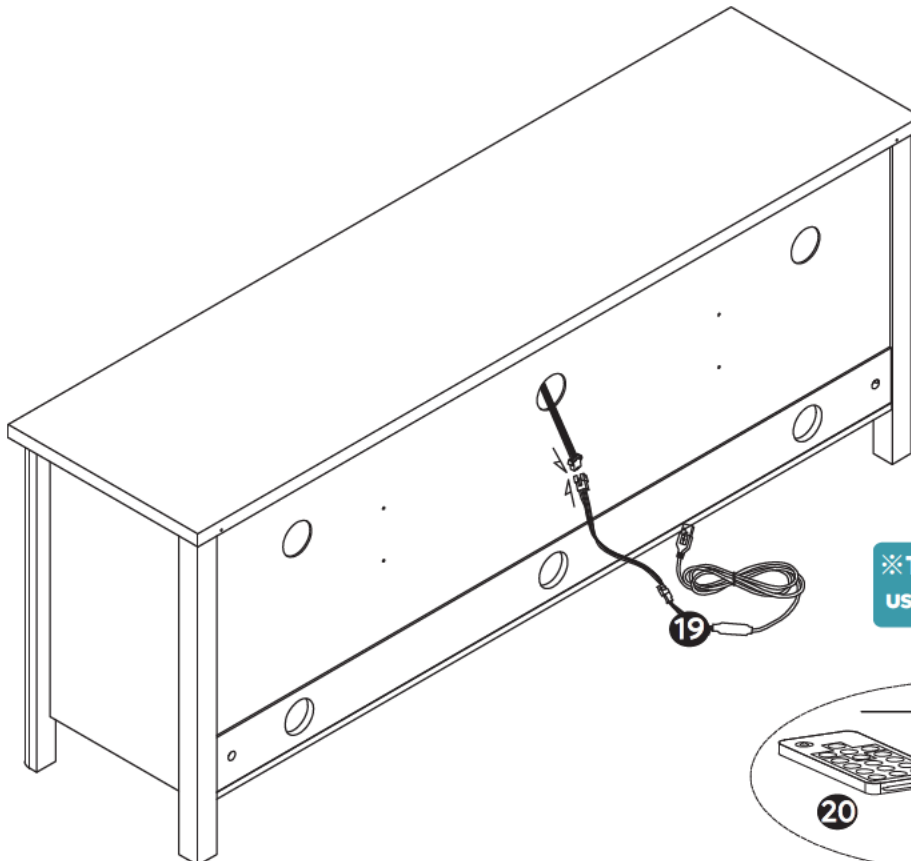


※ First fix the #16 & #17 doors in the top of the groove, and then embed pulleys of the doors in the sliding rail.

F  Ø8xØ4x12mm 8

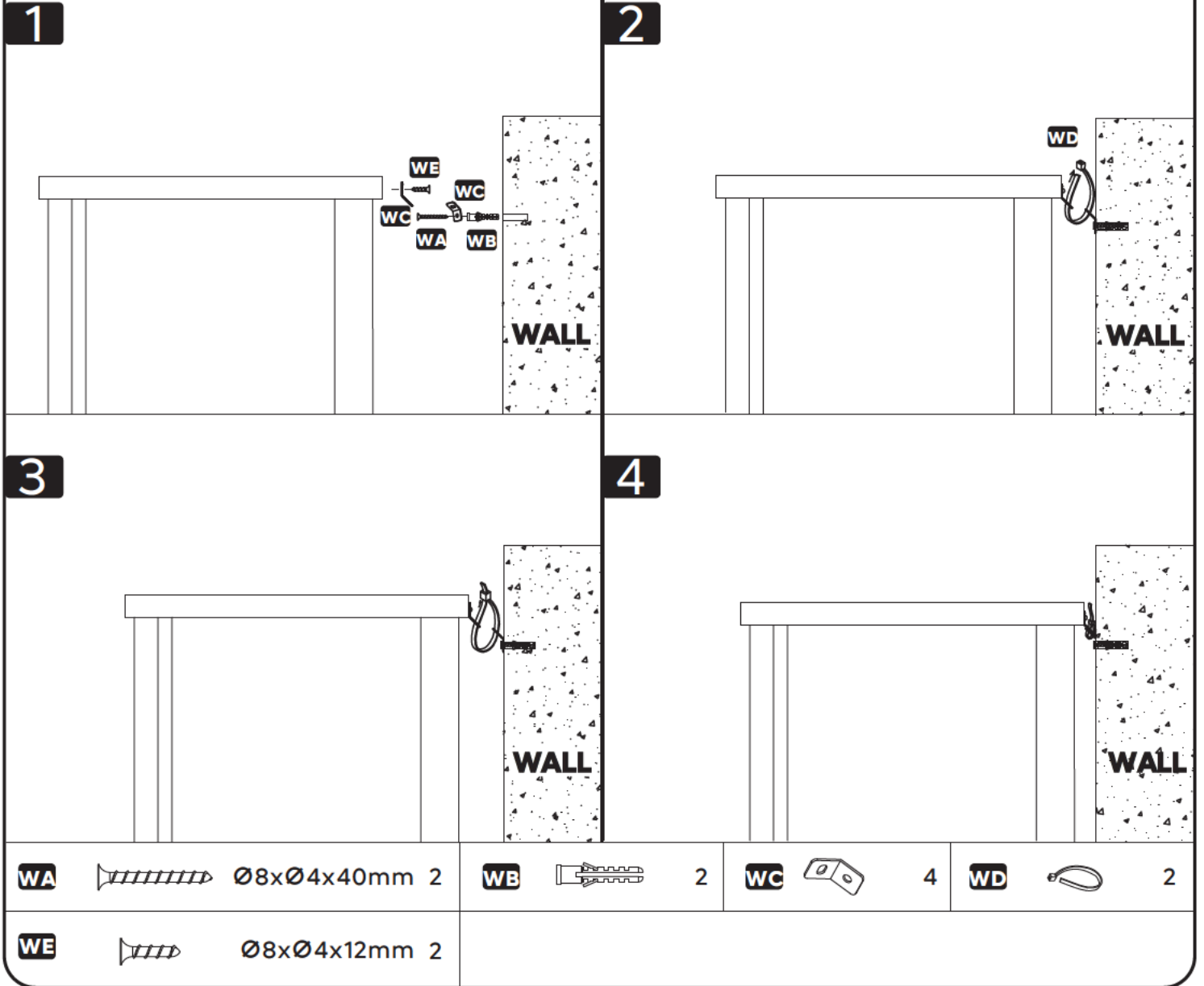
G  4

STEP 11



※ Take out the insulator before using the remote control.

STEP 12



※ **Please fasten the TV Stand to your wall for protection and safety.**

1. Drill 2 holes in the wall and insert WB into holes.

※ You may need to use rubber mallet for tapping WB.

2. Use WA to connect WB with WC, Use WE to fix the WC on the TV stand.

3. Use WD to connect the TV stand and WC and tighten them as desired before locking in place.

