

## Assembly Instructions

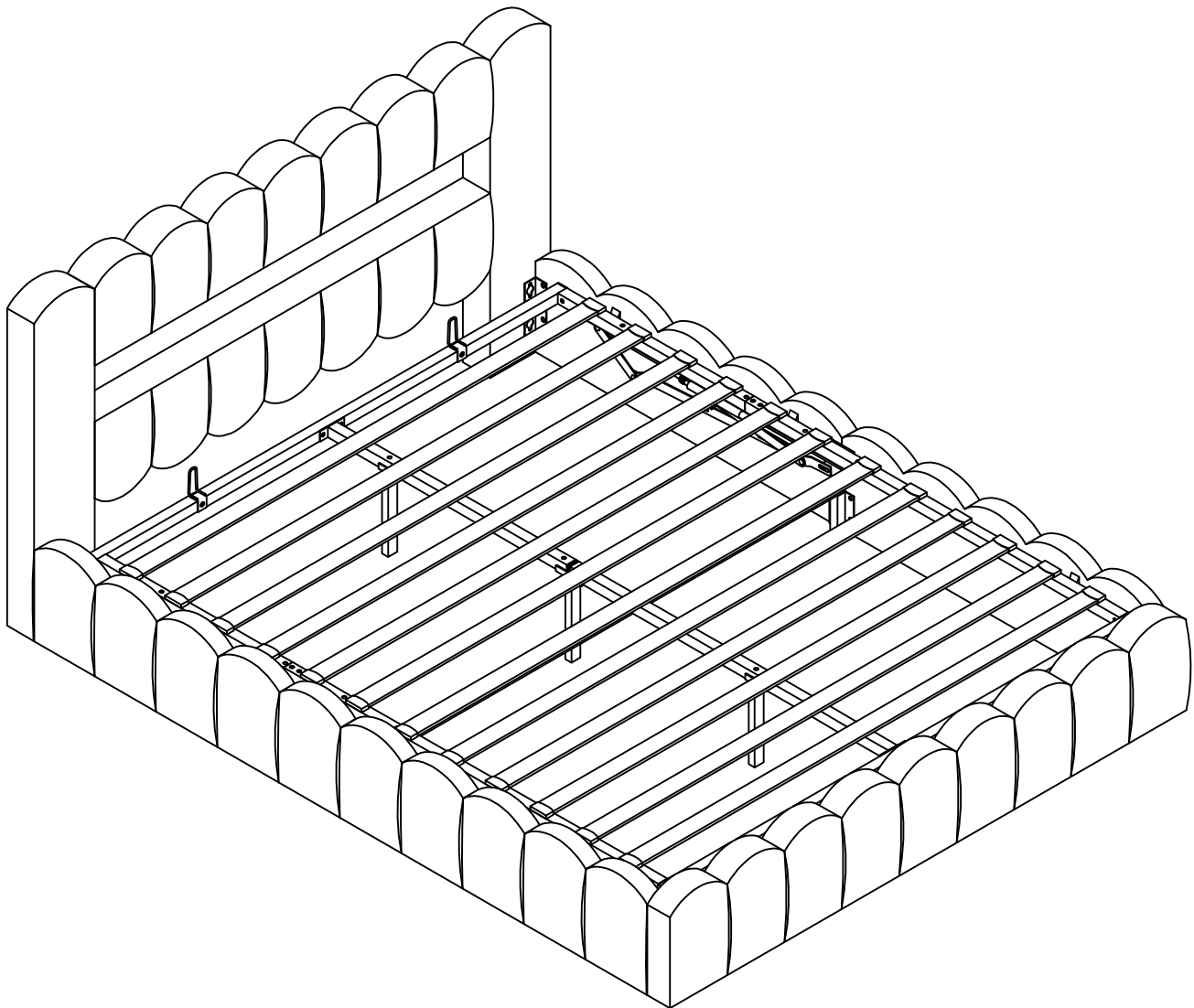
Please check that you have all the parts listed before you start assembling, if you do find that something is missing, do not continue assembly, please contact us immediately.

NOTE: Please do not completely tighten all the hardware until the entire assembly is complete!

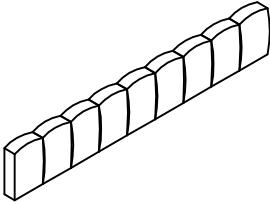
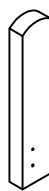
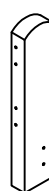
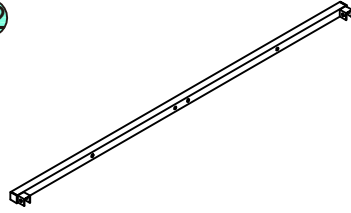
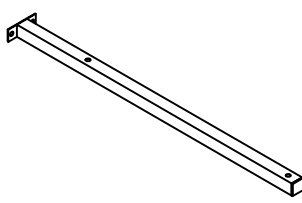
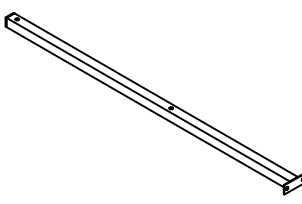
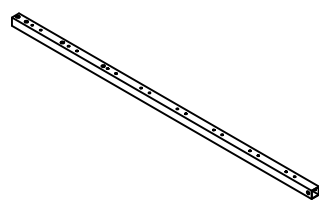
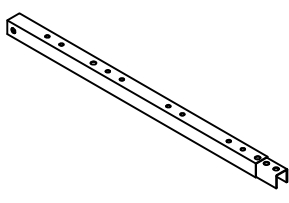
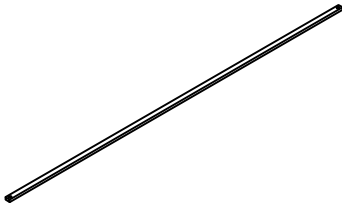
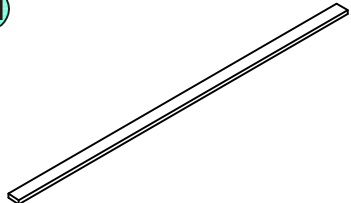
### Bauanleitung

Bitte überprüfen Sie, ob alle Teile mitgeliefert sind, bevor Sie mit der Montage beginnen. Wenn Sie festlegen, dass etwas fehlt, setzen Sie die Montage nicht fort, Bitte kontaktieren Sie uns sofort.

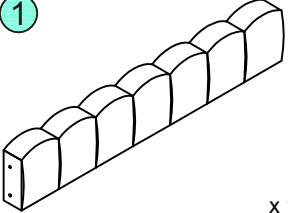
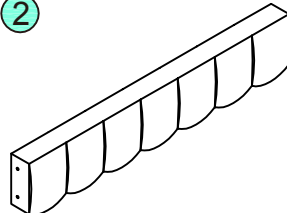
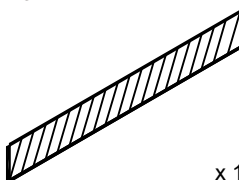
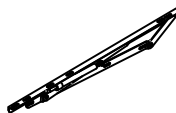

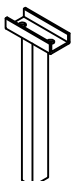
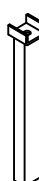
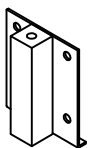
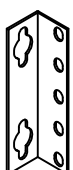

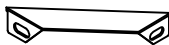

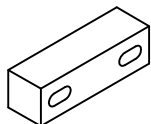
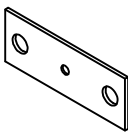
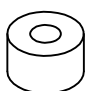


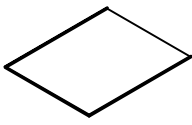

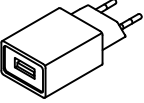
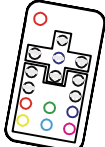
Achtung: Bitte ziehen Sie nicht alle Schrauben fest, bevor die Montage abgeschlossen ist!



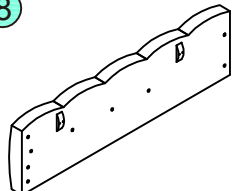
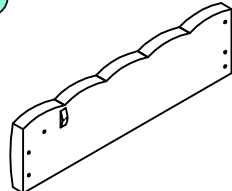
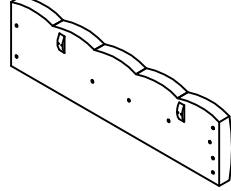
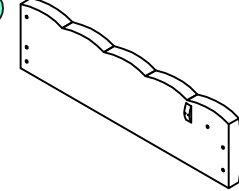
# BOX-1/3

 <p>3</p> <p>x 1</p>	 <p>5</p> <p>x 1</p>	 <p>6</p> <p>x 1</p>	 <p>12</p> <p>x 2</p>
 <p>13</p> <p>x 1</p>	 <p>14</p> <p>x 1</p>	 <p>15</p> <p>x 2</p>	
 <p>16</p> <p>x 2</p>	 <p>20</p> <p>x 1</p>	 <p>31</p> <p>x 12</p>	

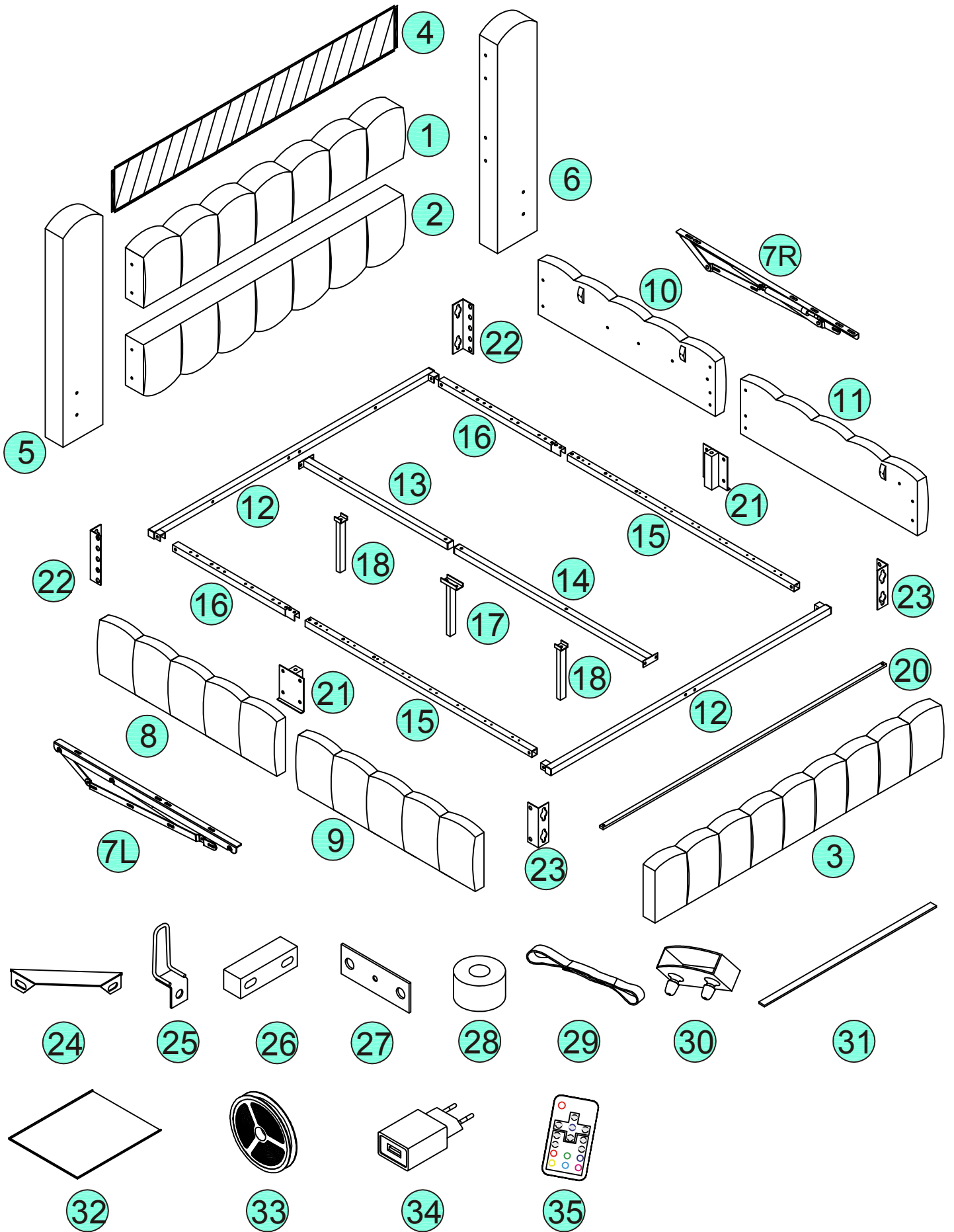
# BOX-2/3

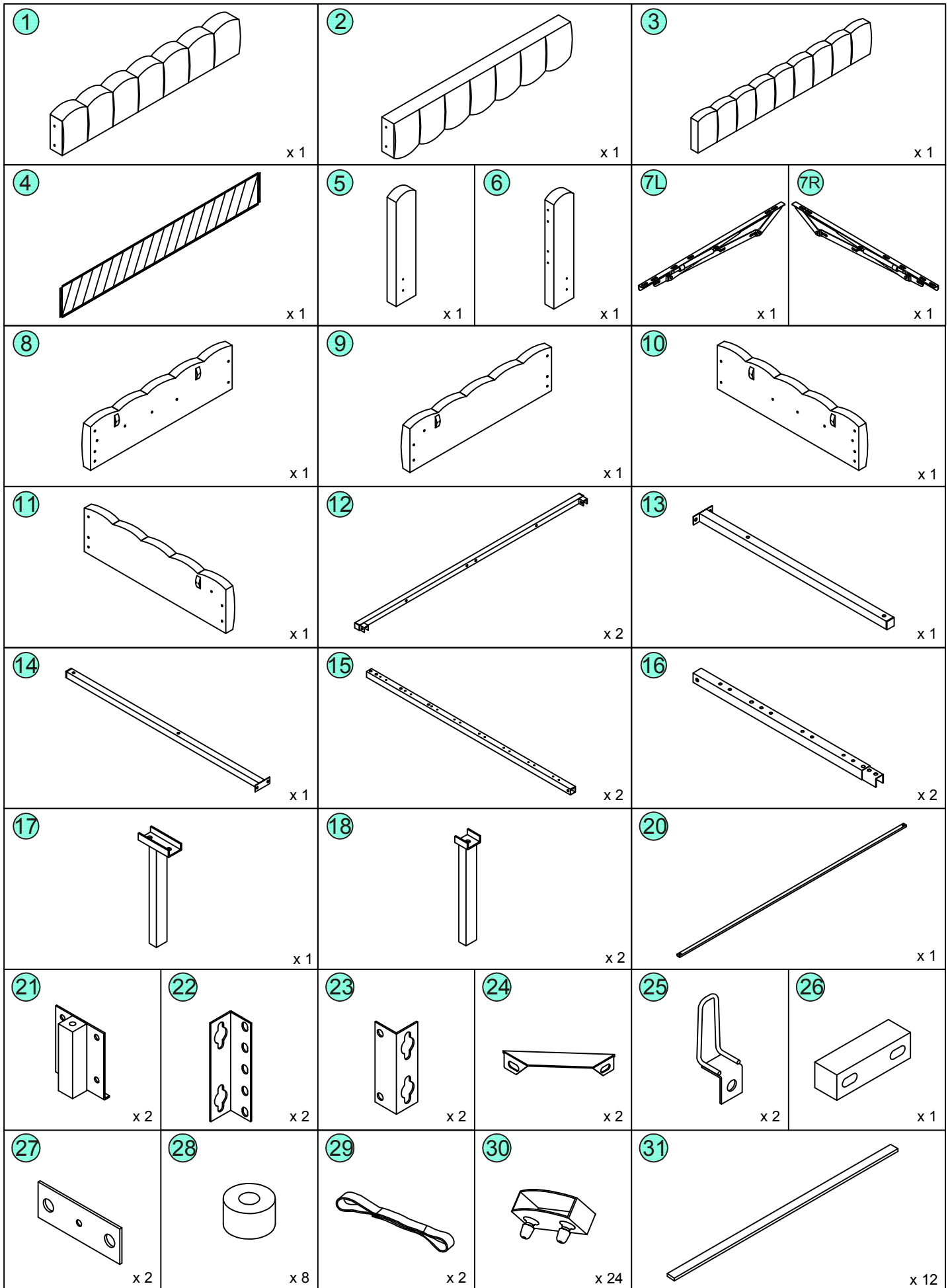
 <p>1</p> <p>x 1</p>	 <p>2</p> <p>x 1</p>	 <p>4</p> <p>x 1</p>	 <p>7L</p> <p>x 1</p>	 <p>7R</p> <p>x 1</p>	
 <p>17</p> <p>x 1</p>	 <p>18</p> <p>x 2</p>	 <p>21</p> <p>x 2</p>	 <p>22</p> <p>x 2</p>	 <p>23</p> <p>x 2</p>	 <p>24</p> <p>x 2</p>
 <p>25</p> <p>x 2</p>	 <p>26</p> <p>x 1</p>	 <p>27</p> <p>x 2</p>	 <p>28</p> <p>x 8</p>	 <p>29</p> <p>x 2</p>	 <p>30</p> <p>x 24</p>
 <p>32</p> <p>x 1</p>	 <p>33</p> <p>x 1</p>	 <p>34</p> <p>x 1</p>	 <p>35</p> <p>x 1</p>	<p>hardware kit</p>	

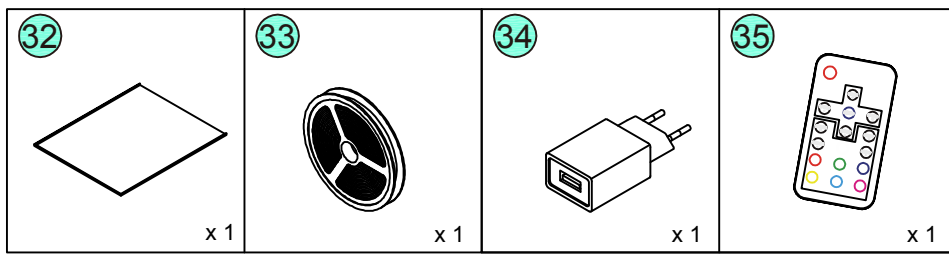
# BOX-3/3

 <p>8</p> <p>x 1</p>	 <p>9</p> <p>x 1</p>	 <p>10</p> <p>x 1</p>	 <p>11</p> <p>x 1</p>
---	---	---	--

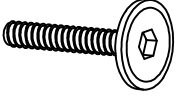
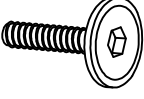
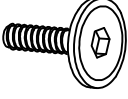
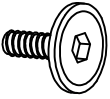
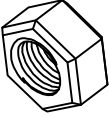
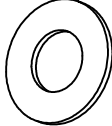

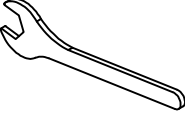
# Stückliste



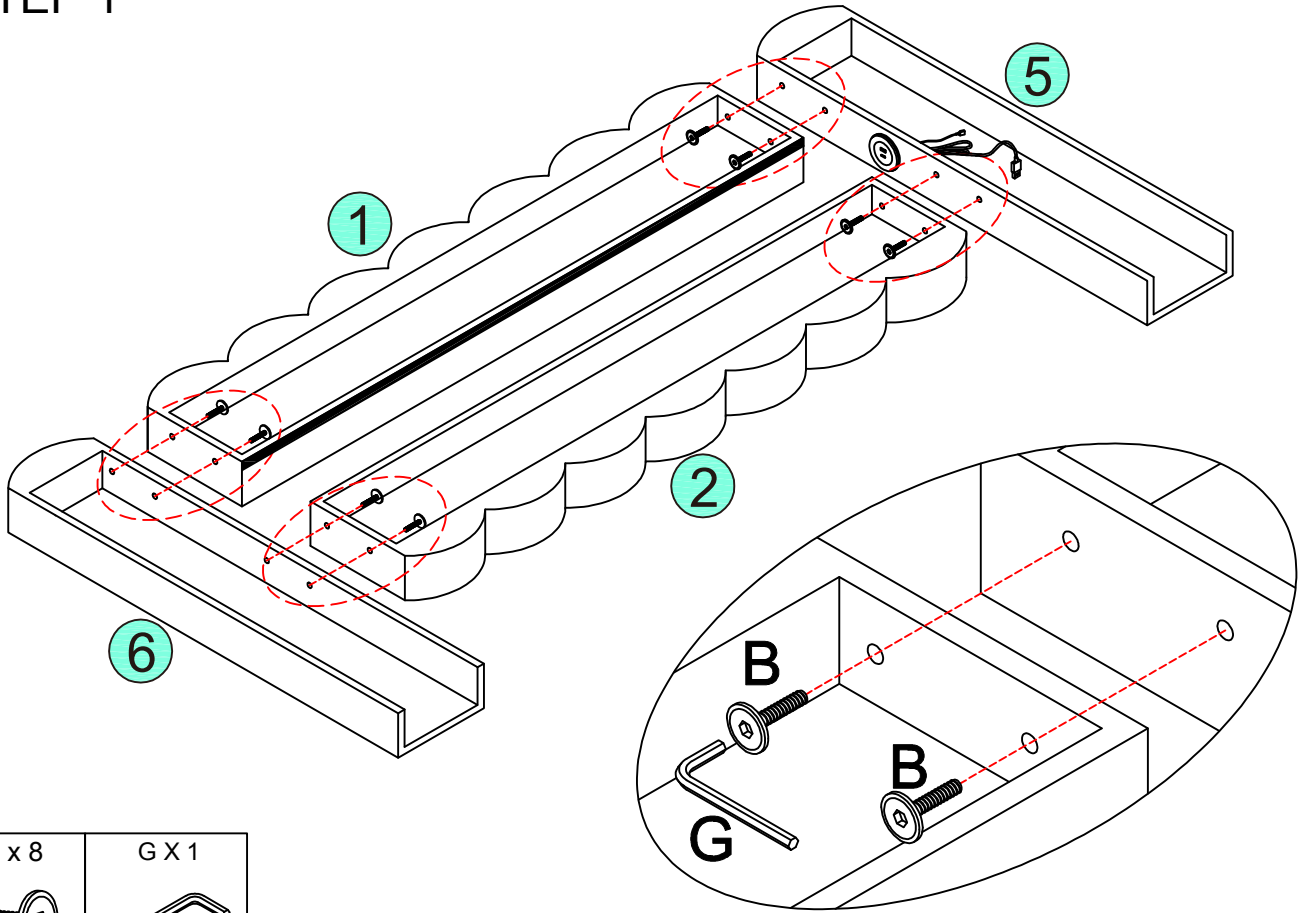


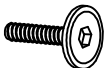



## Hardware List- Hardware-Liste

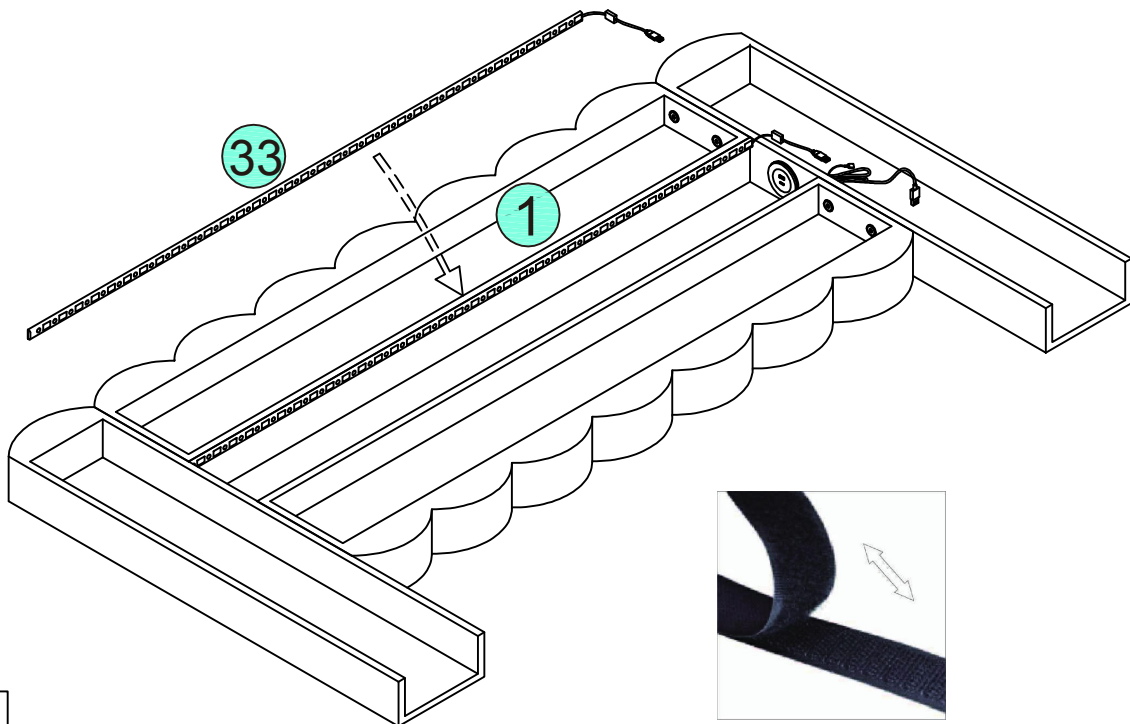
<b>Ax22+2 PCS</b>  5/16X45mm	<b>Bx16+1 PCS</b>  5/16X30mm	<b>Cx14+1 PCS</b>  5/16X25mm
<b>Dx26+2 PCS</b>  5/16X15mm	<b>Ex16+1 PCS</b>  5/16	<b>Fx16+1 PCS</b>  Ø19X5/16
<b>Gx1 PC</b>  5/16	<b>Hx1 PC</b>  5/16	


# STEP 1



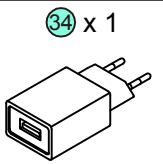
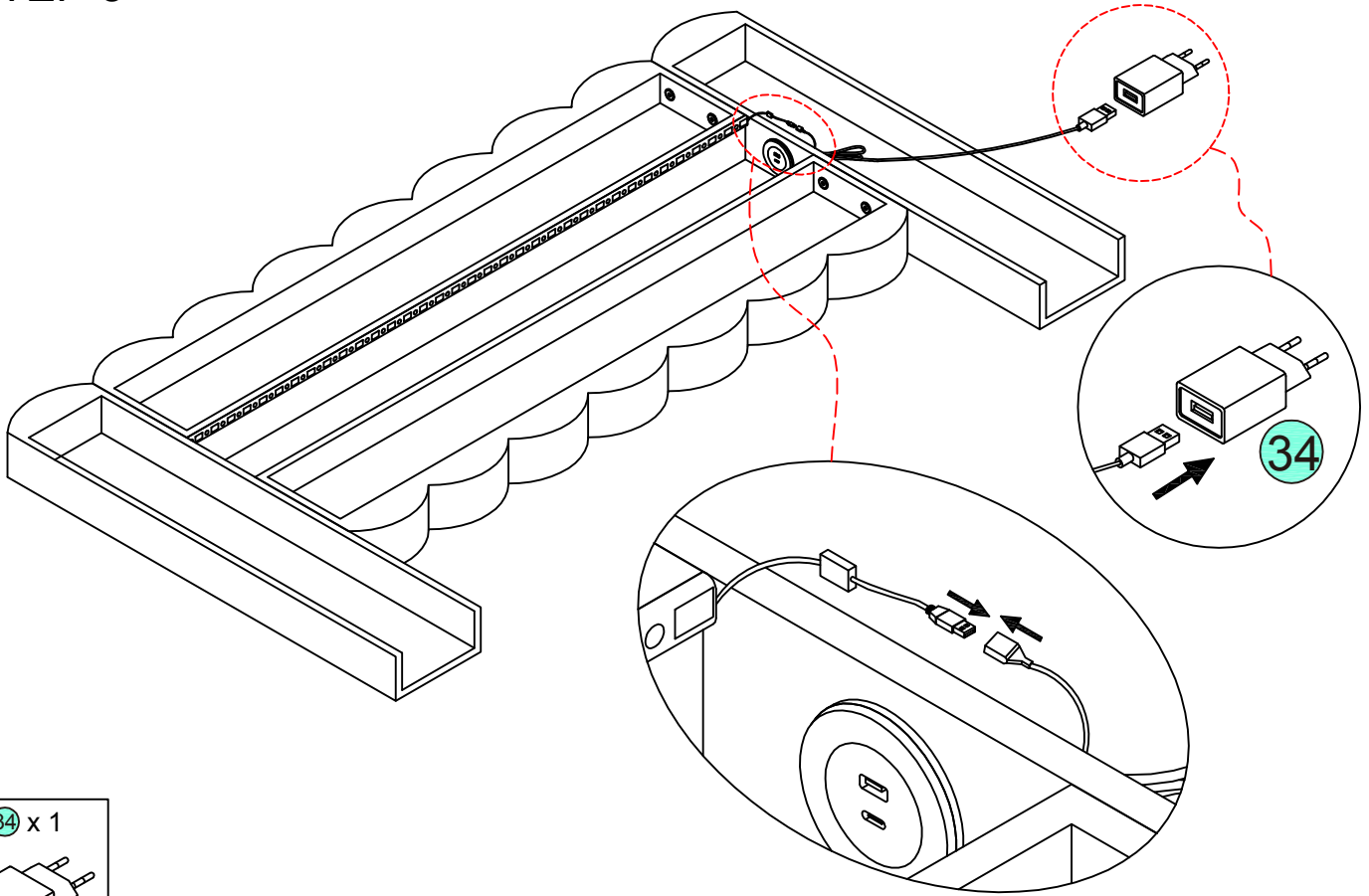
B x 8	G X 1
	
5/16X30mm	5/16

# STEP 2

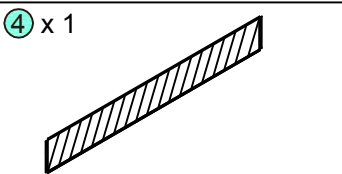
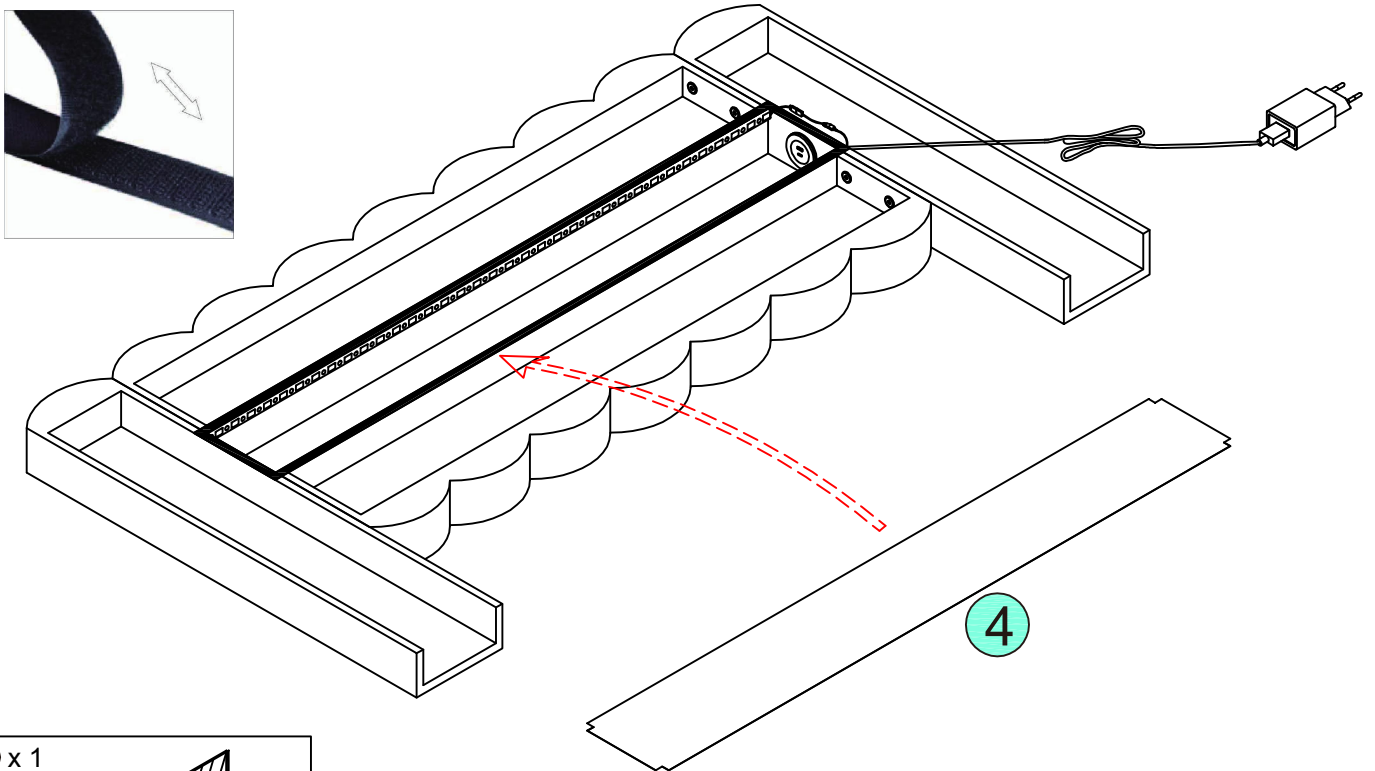


33 x 1


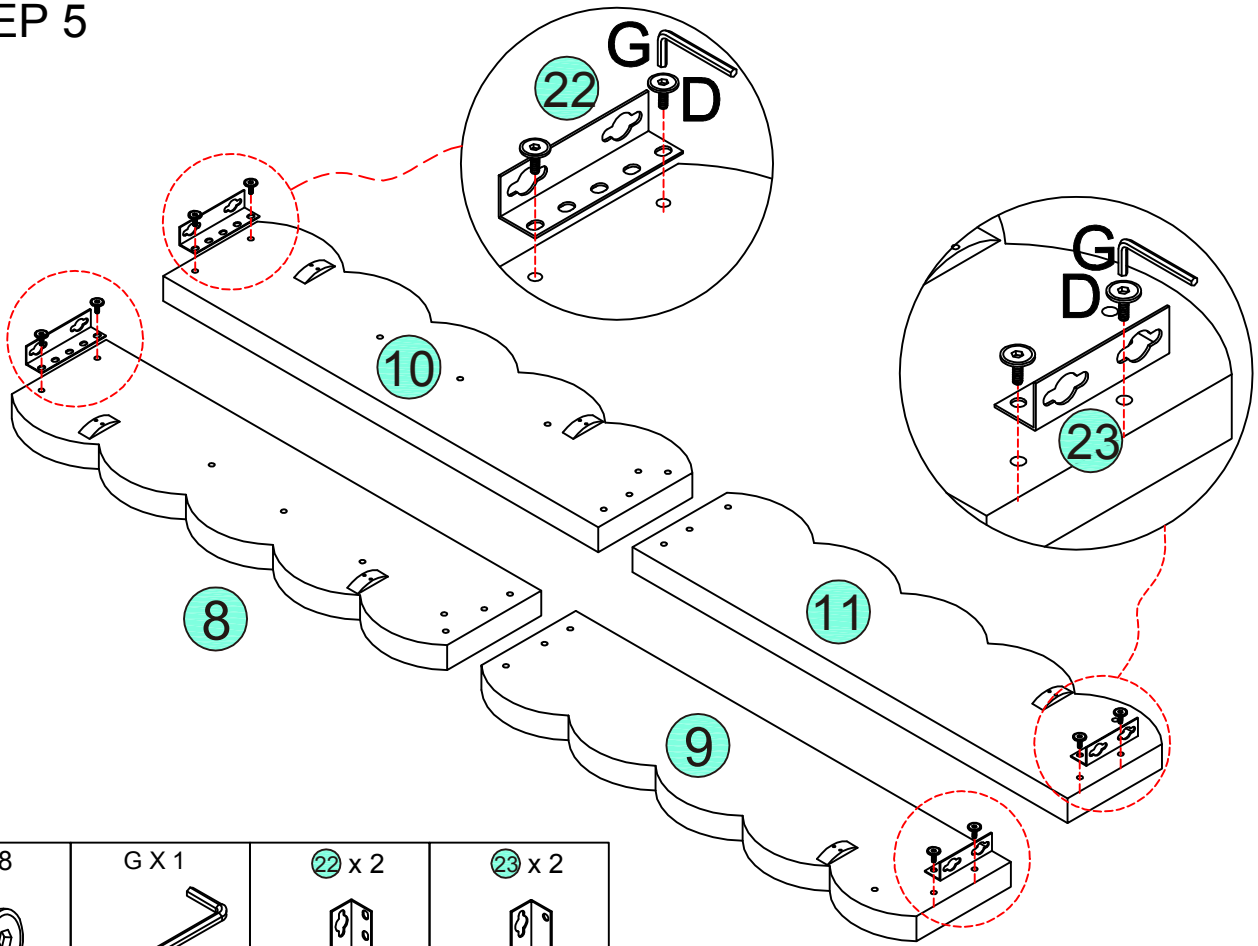
### STEP 3



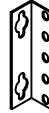
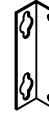


### STEP 4

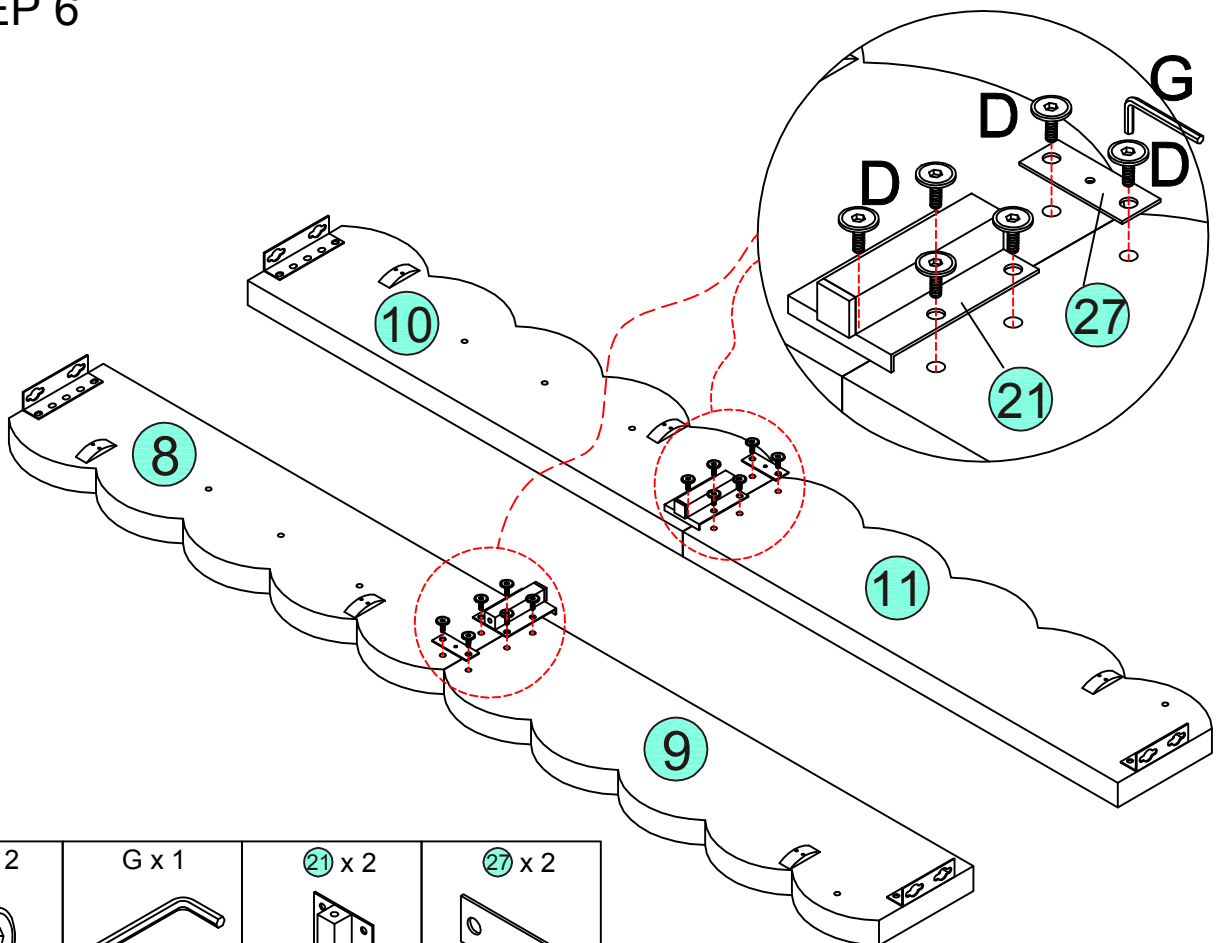




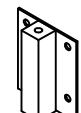
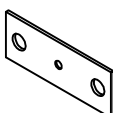
# STEP 5



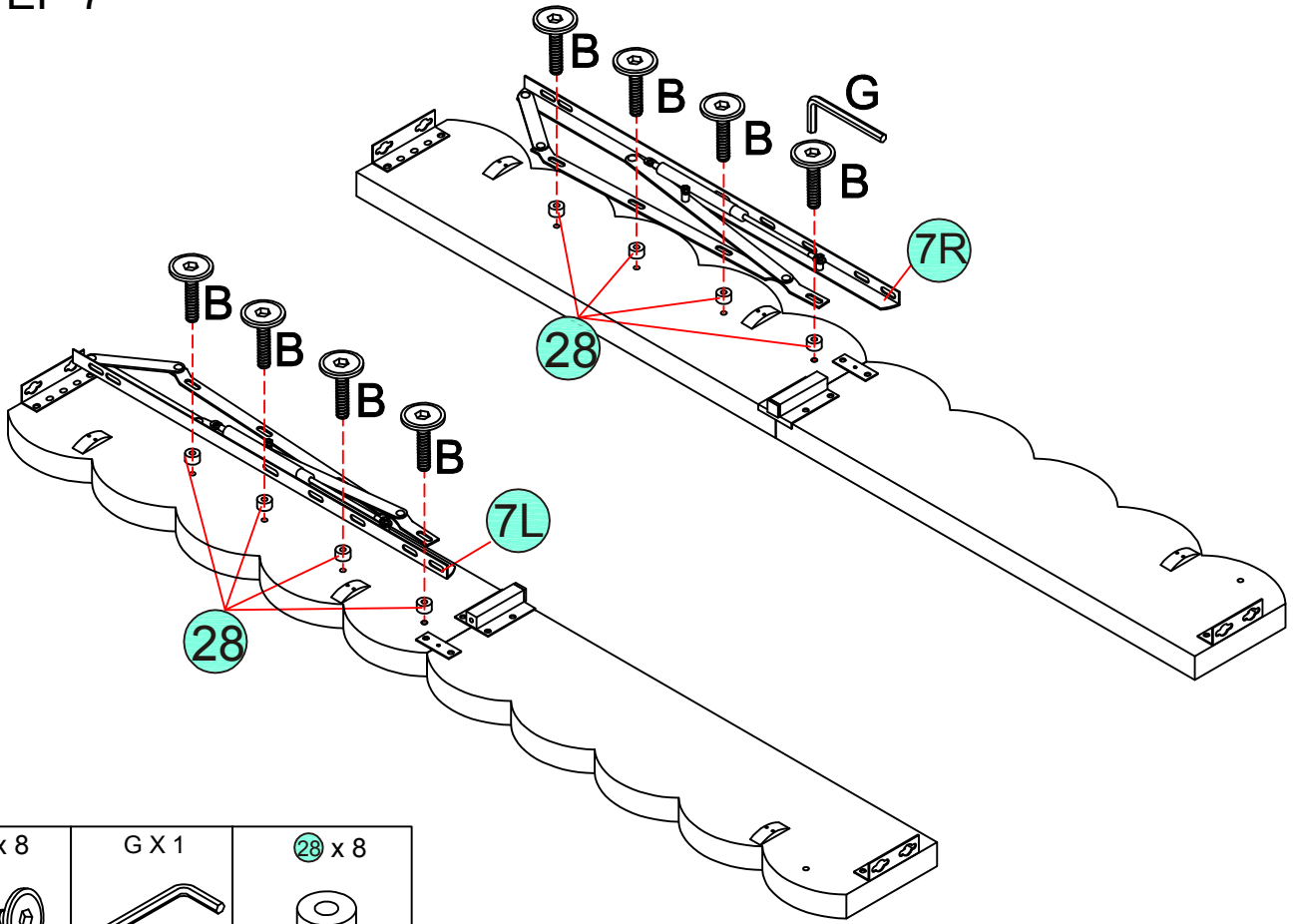
D x 8	G X 1	22 x 2	23 x 2
			
5/16X15mm	5/16		

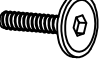


# STEP 6



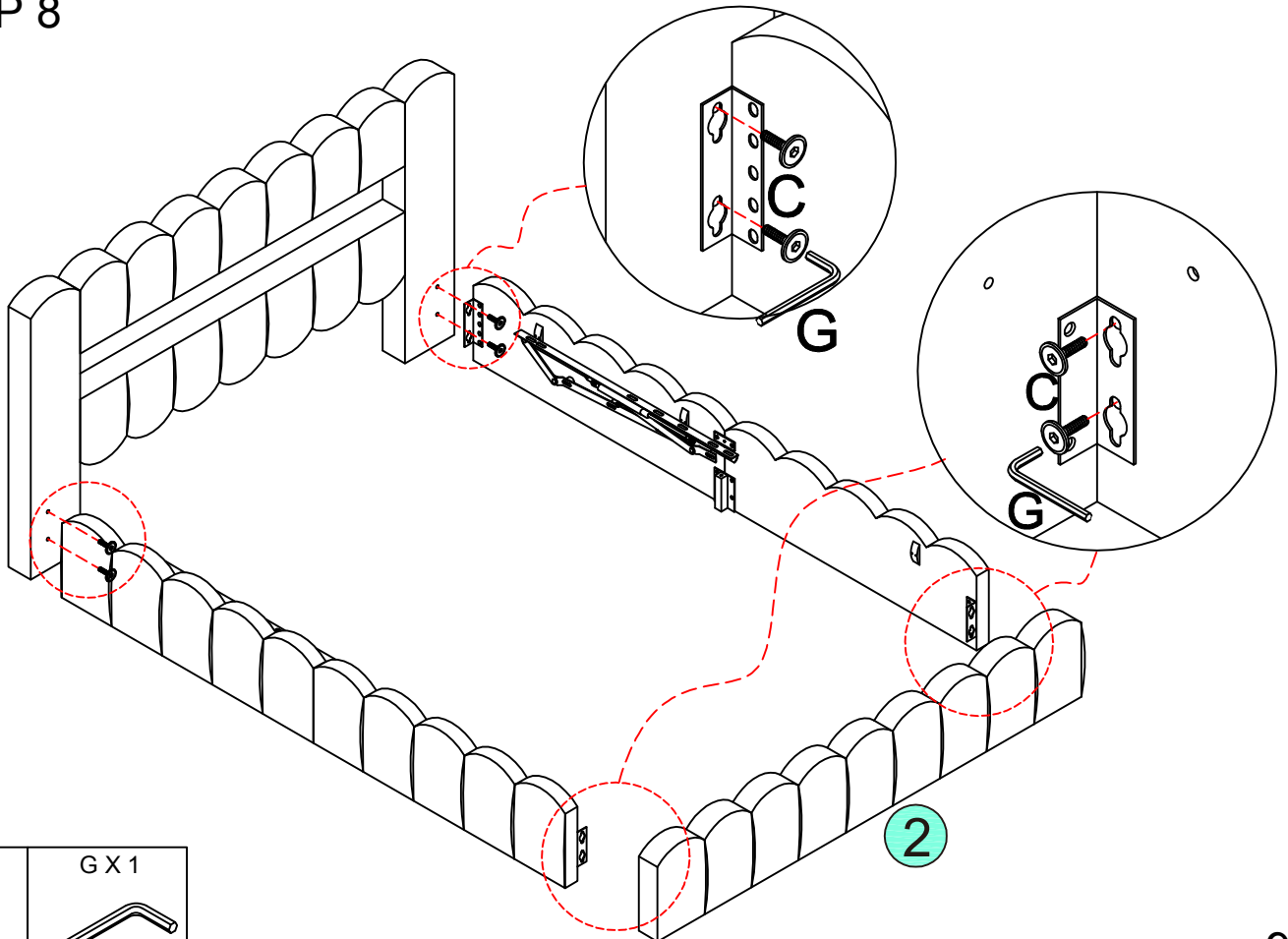
D x 12	G x 1	21 x 2	27 x 2
			
5/16X15mm	5/16		



# STEP 7



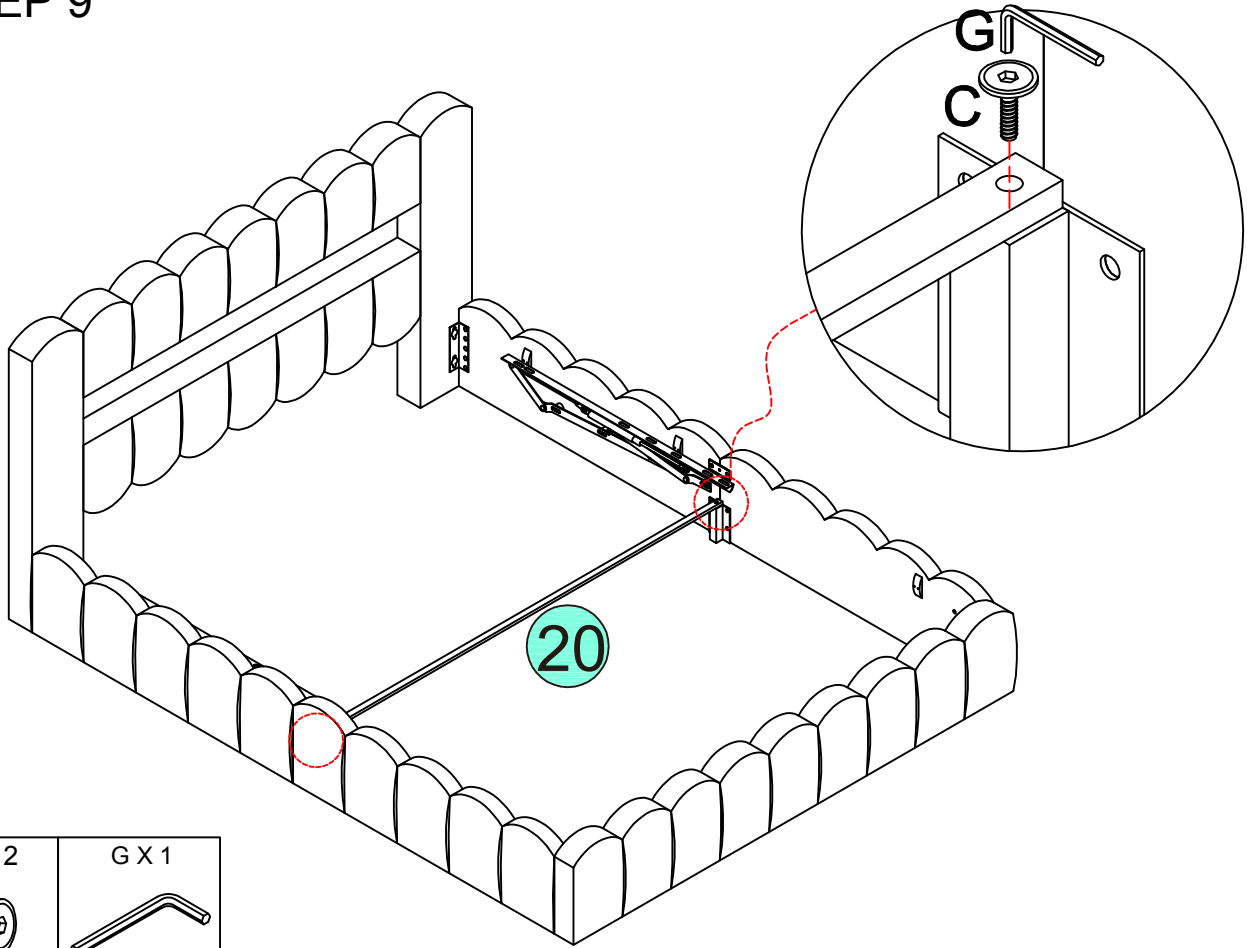
B x 8	G X 1	28 x 8
		
5/16X30mm	5/16	



# STEP 8



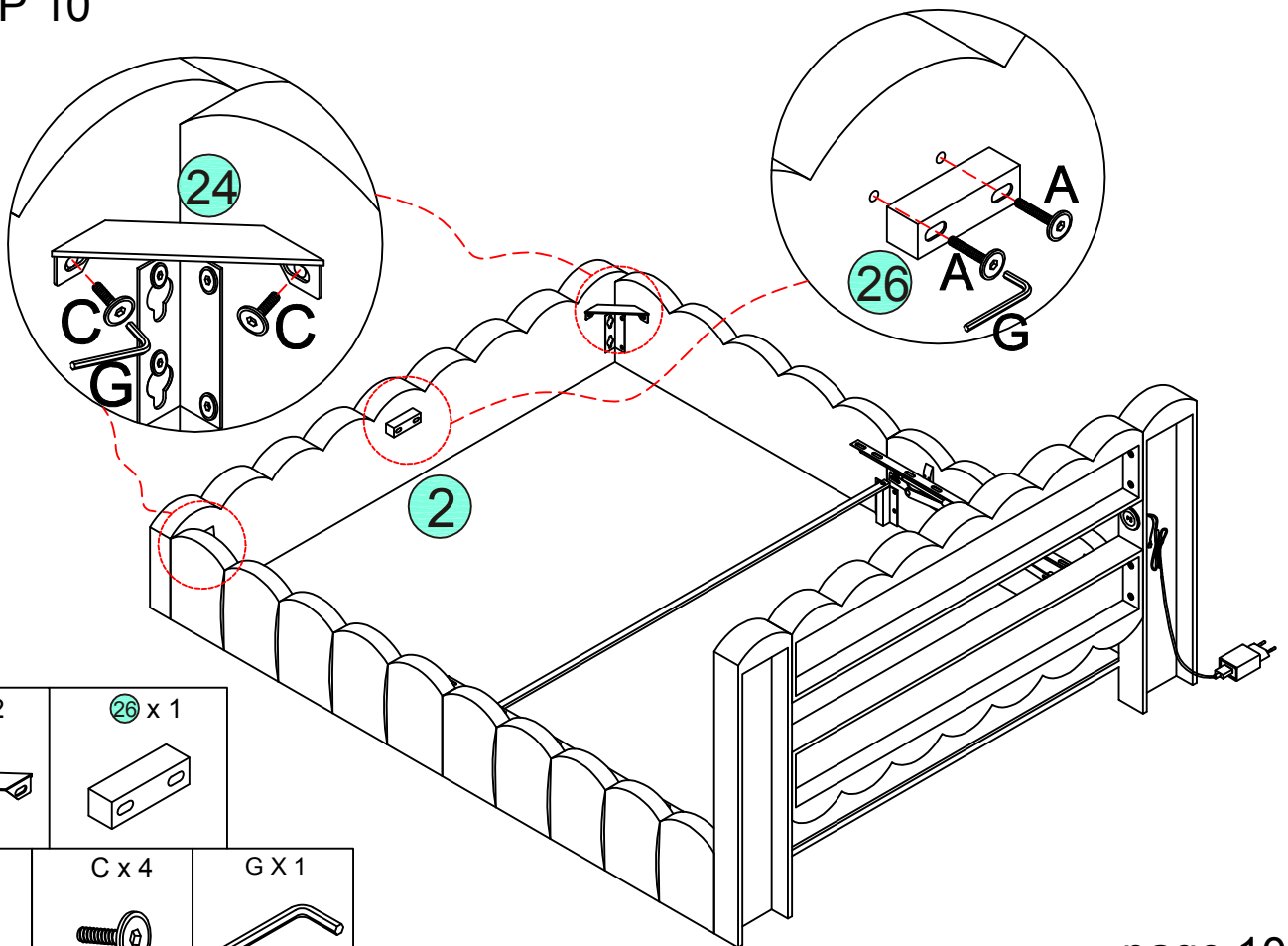
C x 8	G X 1
	
5/16X25mm	5/16

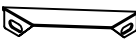
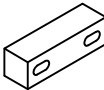



# STEP 9



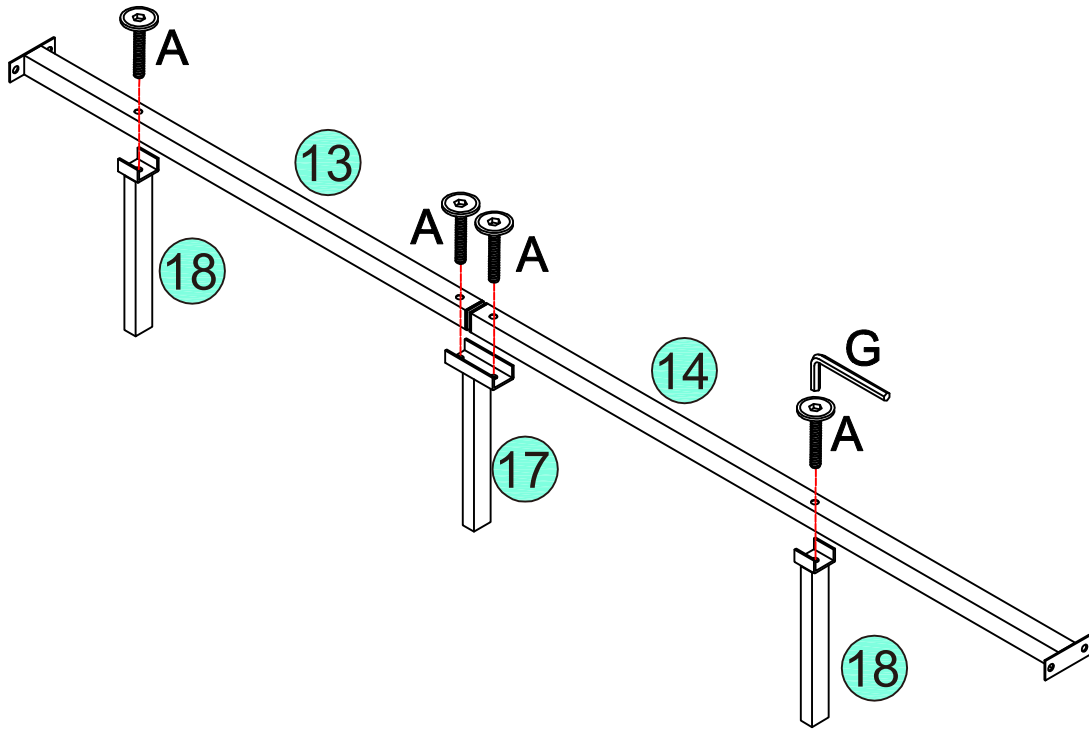
C x 2	G X 1
	
5/16X25mm	5/16



# STEP 10



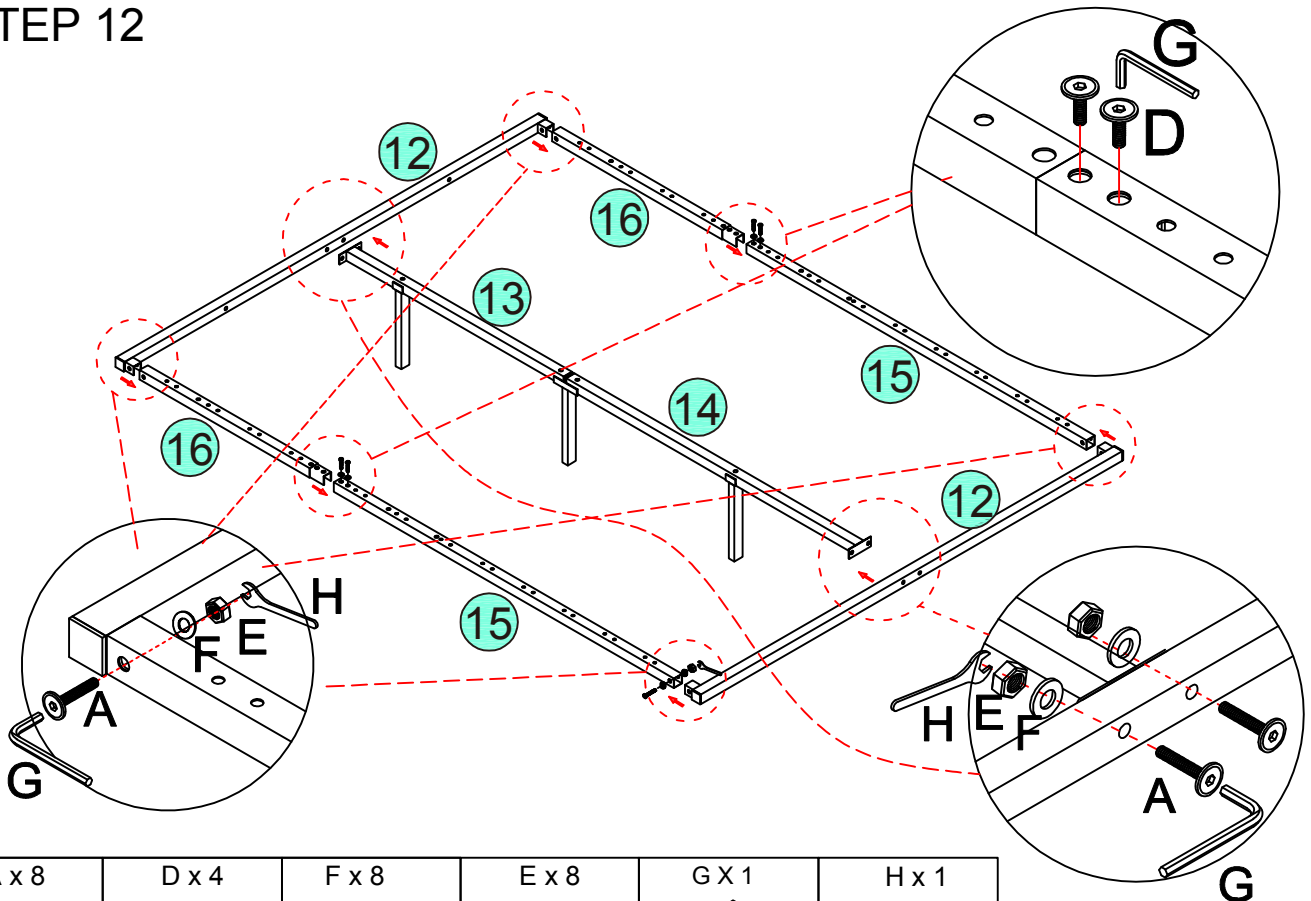
24 x 2	26 x 1	
		
A x 2	C x 4	G X 1
		
5/16X45mm	5/16X25mm	5/16







# STEP 11



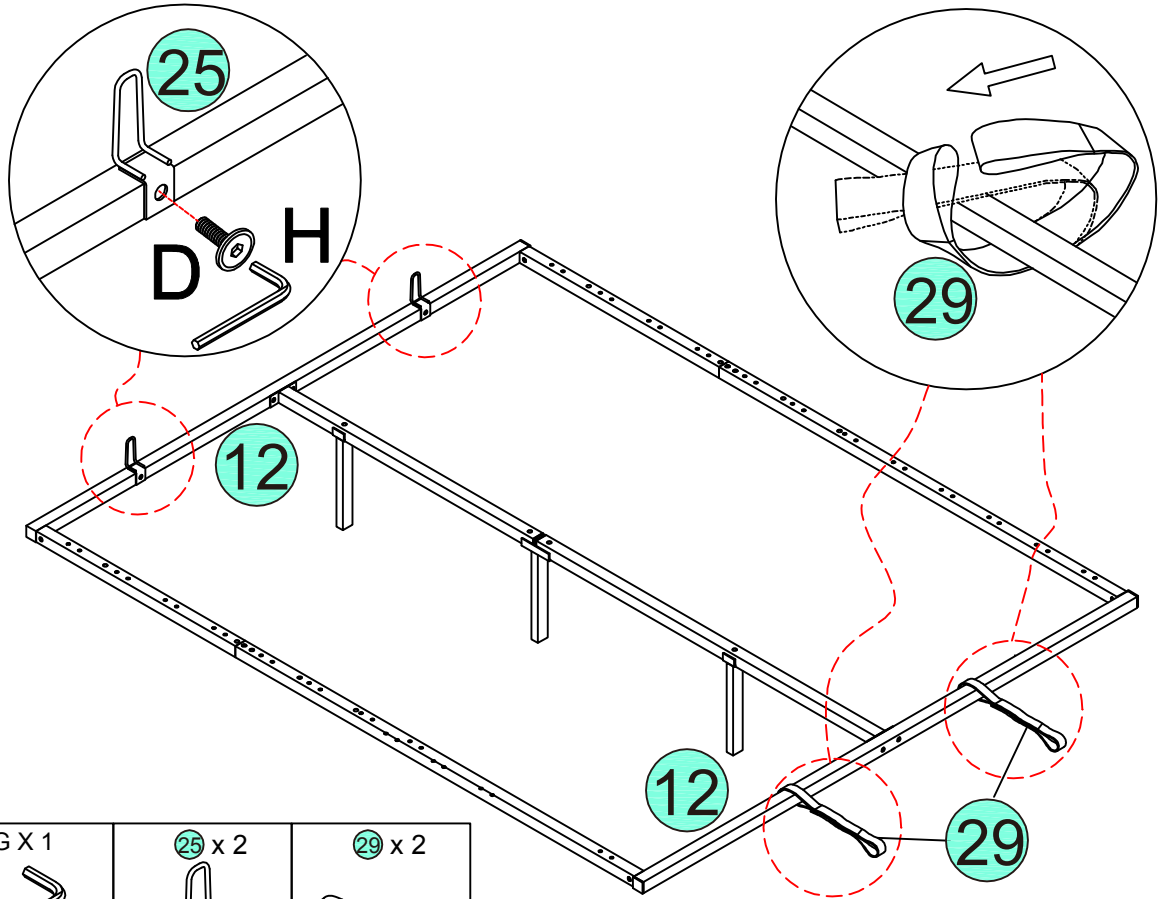
A x 4	G X 1
	
5/16X45mm	5/16





# STEP 12



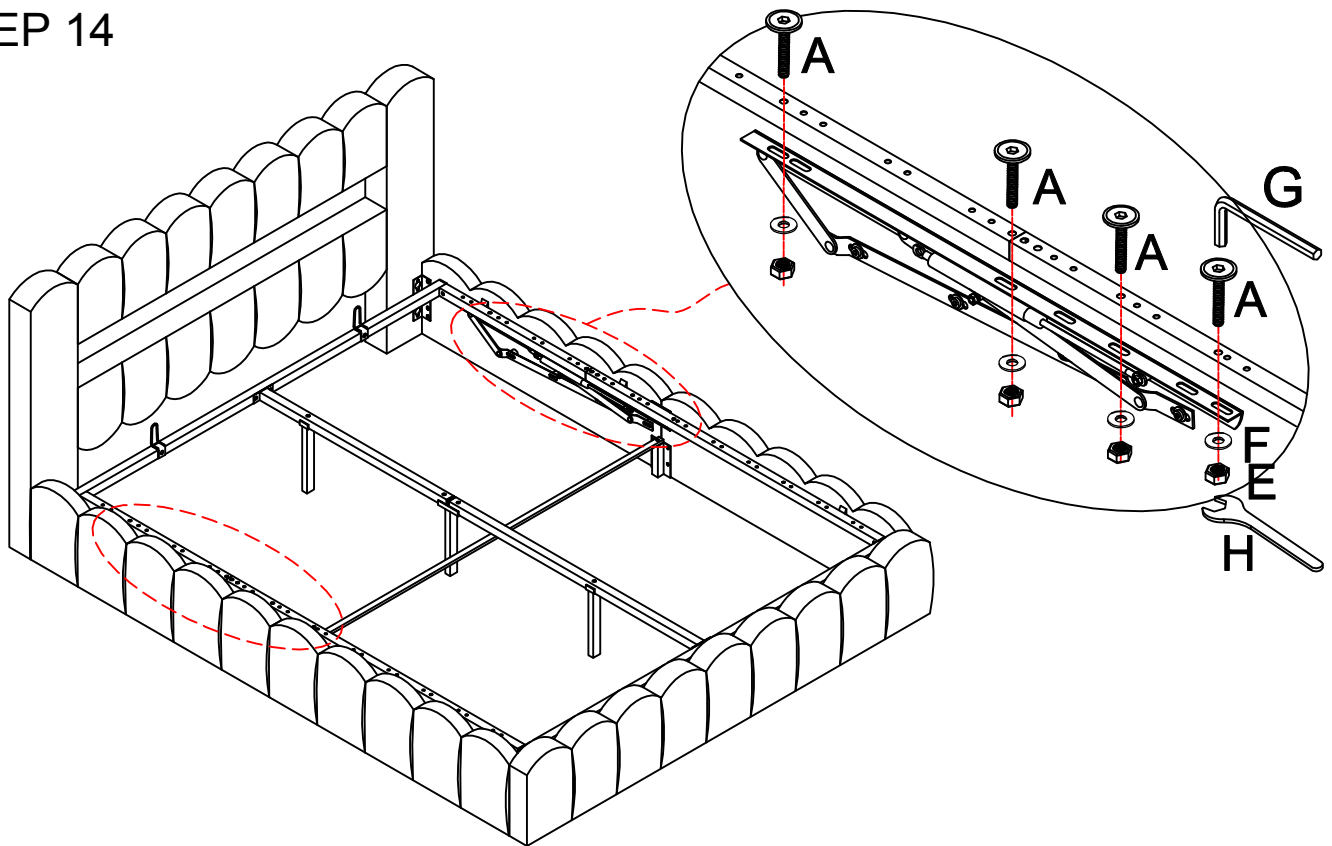
A x 8	D x 4	F x 8	E x 8	G X 1	H x 1
					
5/16X45mm	5/16X15mm	Ø19X5/16	5/16	5/16	5/16

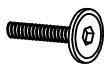


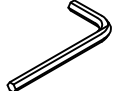

# STEP 13



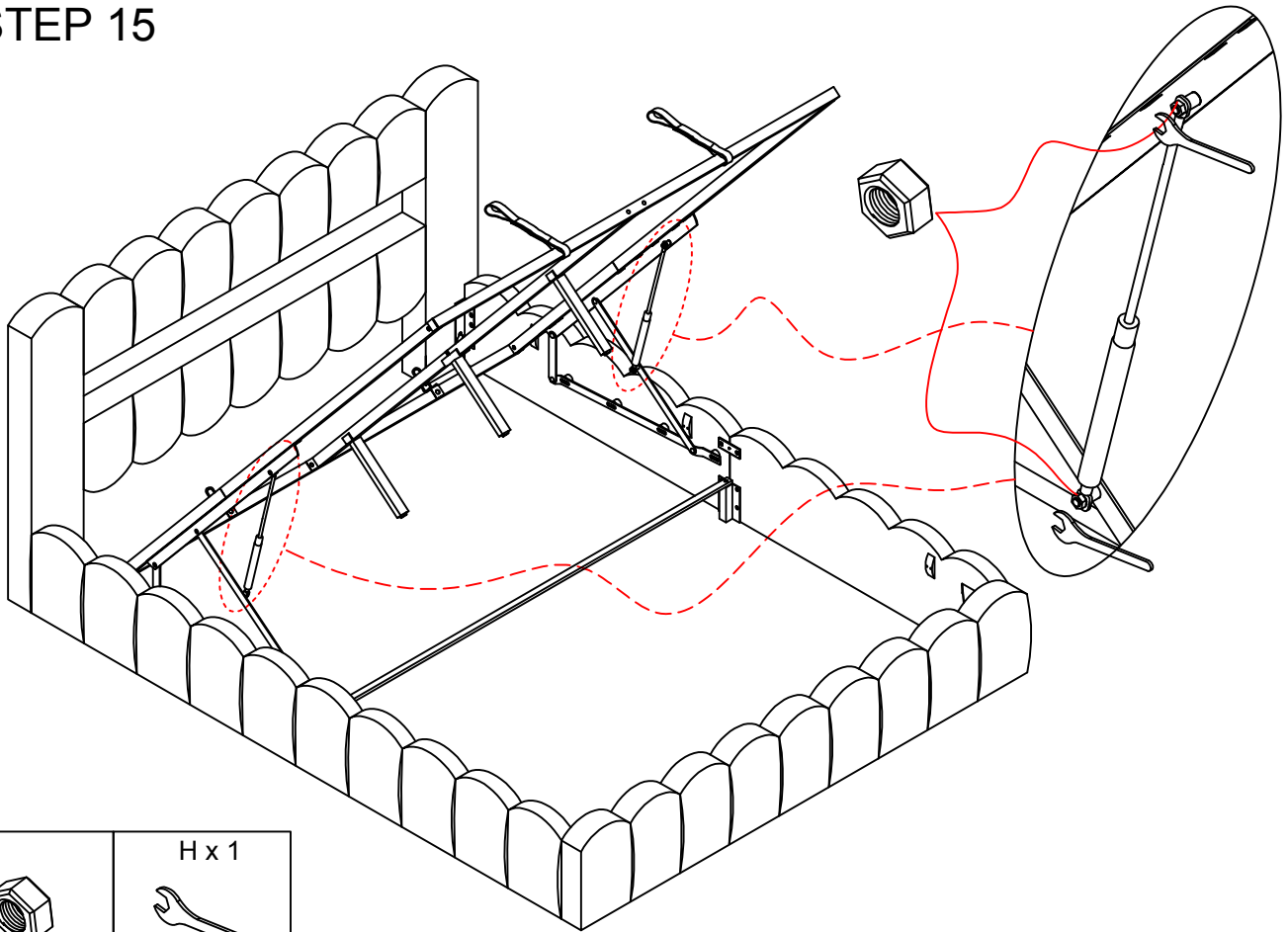
DX 2  5/16X15mm	GX 1  5/16	25 x 2 	29 x 2 
---	--	--	--

# STEP 14



A x 8  5/16X45mm	F x 8  Ø19X5/16	E x 8  5/16	GX 1  5/16	H x 1  5/16
--	--	--	---	--

# STEP 15



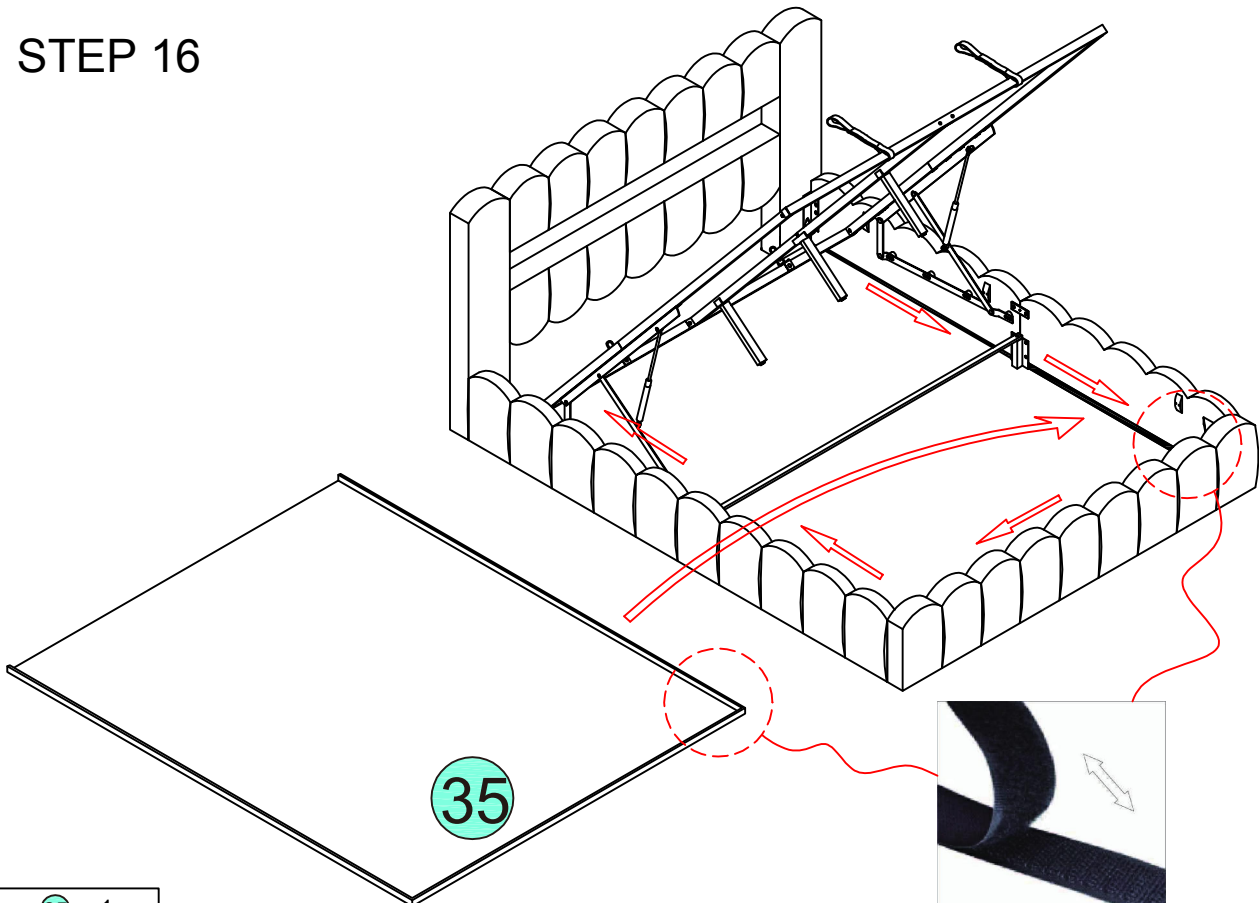
5/16

H x 1



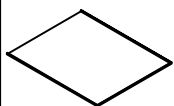
5/16

# STEP 16

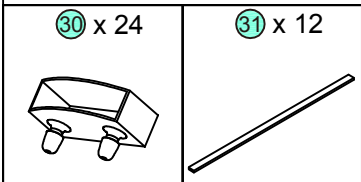
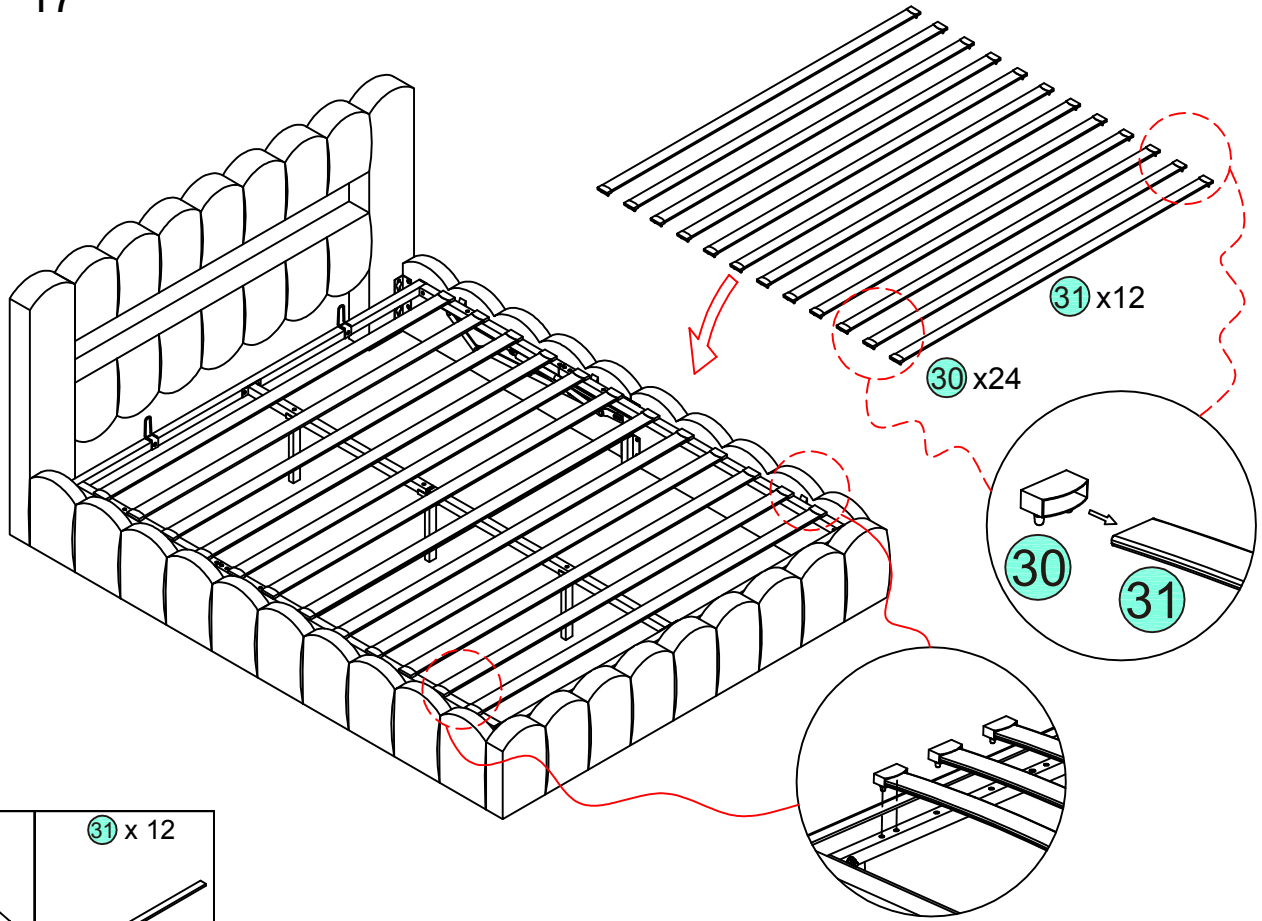


35

35 x 1



# STEP 17



# STEP 18

