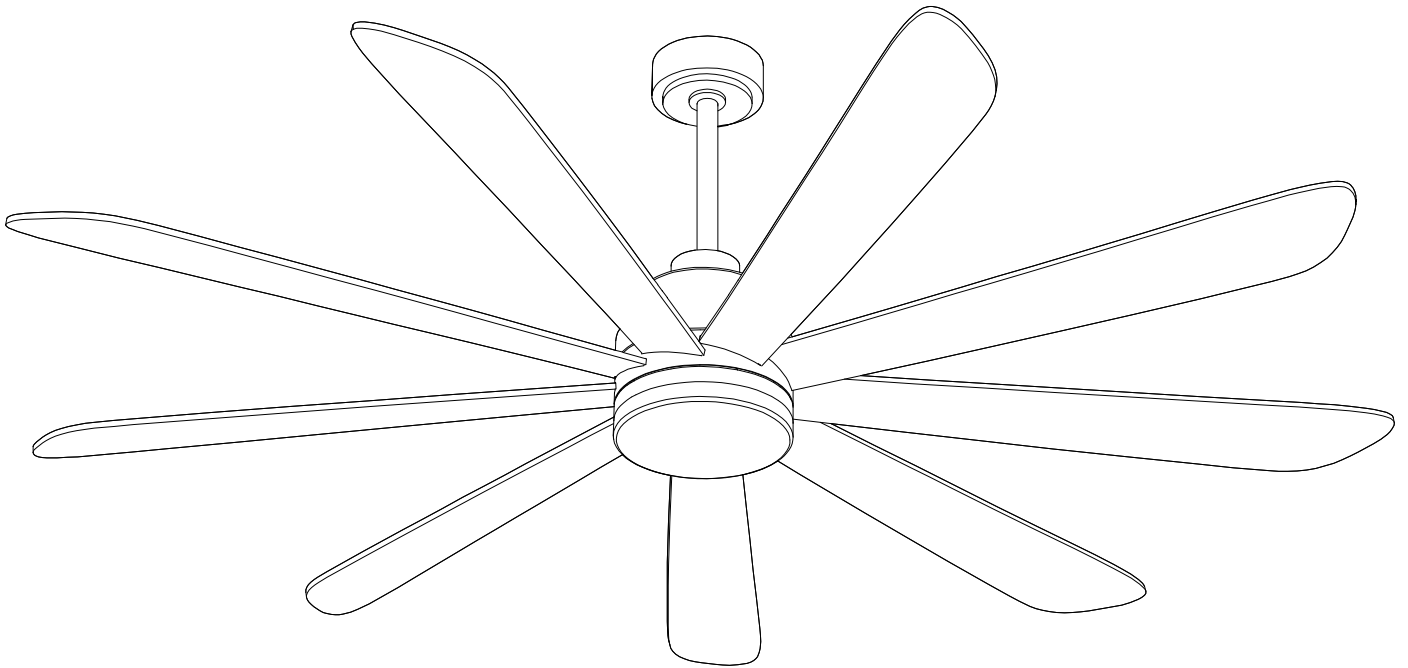


# INSTALLATION & USER MANUAL

## CEILING FAN WITH LIGHT



[service@jazava.com](mailto:service@jazava.com)

# Table of Contents

Table Of Contents.....	2	Exploded View.....	5
Safety Information.....	2	Installation Instructions.....	6-12
Preparation.....	3	Controller Description.....	13
Dimension Reference.....	4	Troubleshooting Guide.....	14
Hardware Included.....	4	Balancing Kit.....	15
Fan Parts Included.....	4	Maintenance Instructions.....	16

## Safety Information

### READ AND SAVE THESE INSTRUCTIONS.

1. To reduce the risk of electric shock, ensure electricity has been turned off at the circuit breaker or fuse box before you begin.
2. All wiring must be in accordance with the National Electrical Code “ANSI/NFPA 70” and local electrical codes. Electrical installation should be operated by a qualified licensed electrician.
3. The outlet box and support structure must be securely mounted and capable of reliably supporting a minimum of 35 lbs (15.9 kg). Use only UL Listed outlet boxes marked “Acceptable for Fan Support of 35 lbs. (15.9 kg) or less.”
4. Do not place objects in the path of the blades.
5. To clean the fixture, turn off the power, wait for it to cool, and wipe the fixture with a clean, soft cloth.
6. After making electrical connections, spliced conductors should be turned upward and pushed carefully up into the outlet box. The wires should be spread apart with the grounded conductor and the equipment grounding conductor on one side of the outlet box and ungrounded conductor on the other side of the outlet box.
7. All set screws must be checked and tightened where necessary before installation.



**WARNING:** To reduce the risk of electrical shock or fire, not use this fan with any solid-state fan speed control device. It will permanently damage the electronic circuitry.



**WARNING:** To reduce the risk of personal injury, do not bend the blade brackets when installing the rackets balancing the blades, or cleaning the fan.



**WARNING:** To reduce the risk of fire, electric shock or personal injury, mount to outlet box marked “acceptable for fan support of 35 lbs. (15.9 Kg) or less” and use screws provided with the outlet box.



**WARNING:** To avoid possible electrical shock, turn the electricity off at the main fuse box before wiring.



**WARNING:** To reduce the risk of electrical shock, this must be installed with an isolating wall control / switch.



**CAUTION:** To reduce the risk of personal injury, use only the screws provided with the outlet box.



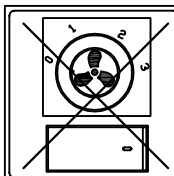
**CAUTION:** Please use carefully when working around or cleaning the fan to avoid injury or damage of fan.



**CAUTION:** The fan must be mounted with a minimum of 7 ft (2.1 m) clearance from the trailing edge of the blades to the floor.



**CAUTION:** Changes or modifications not expressly approved by the party responsible for compliance could void the user 's authority to operate the equipment.



**CAUTION:** It is recommended that when installing a fan light, there is already a regulator at home, and the controller cannot be connected together.

# Preparation

Before beginning the assembly of this product, ensure all parts are present. Compare all parts with the package contents list and hardware contents list. If any part is missing or damaged, do not attempt to assemble the product.

Estimated assembly time: 2 hours

Tools required (not included): Phillips Screwdriver, Wire Strippers, Wrench, Step Ladder, Electrical tape, and Impact drill.

1. Turn off power to the fan at the breaker box and the wall switch (Figure 1.1). **DANGER:** Failure to disconnect the power supply prior to installation may result in serious injury or death.

2. Choose one of the following mounting options (Figure 1.2):

**Standard Mount** - best suited for ceilings 8 feet or higher. For very high ceilings, use a longer down rod (not included).

**Angle Mount** - best suited for angled or vaulted ceilings. A longer down rod is sometimes necessary to ensure proper blade clearance. Ensure the ceiling angle is not steeper than 10 degrees.

**Flush mount Installation** - not available for this model.

**Close mount Installation** - best suited for ceilings 8 feet or lower.

3. Choose a suitable location - Ensure the blades will be at least 30 inches from any obstructions. Also check the down rod length to ensure the blades will be at least 7 feet above the floor (Figure 1.3).

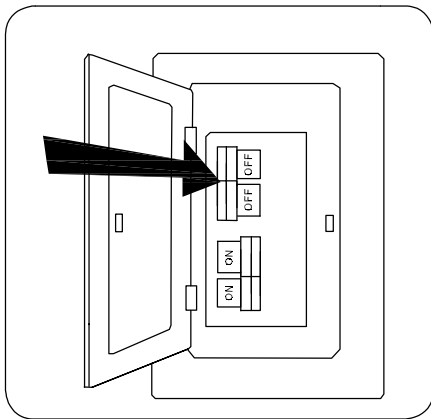


Figure 1.1

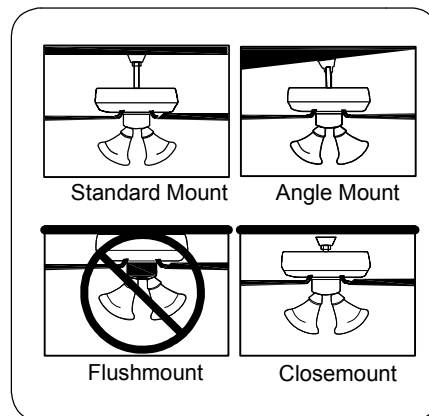


Figure 1.2

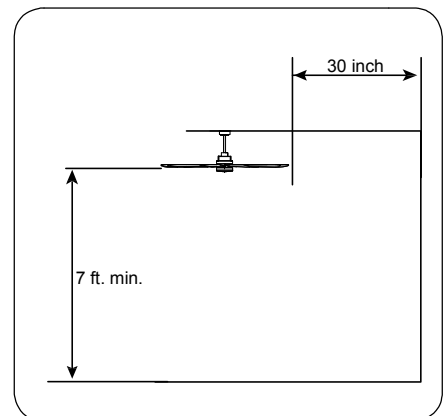
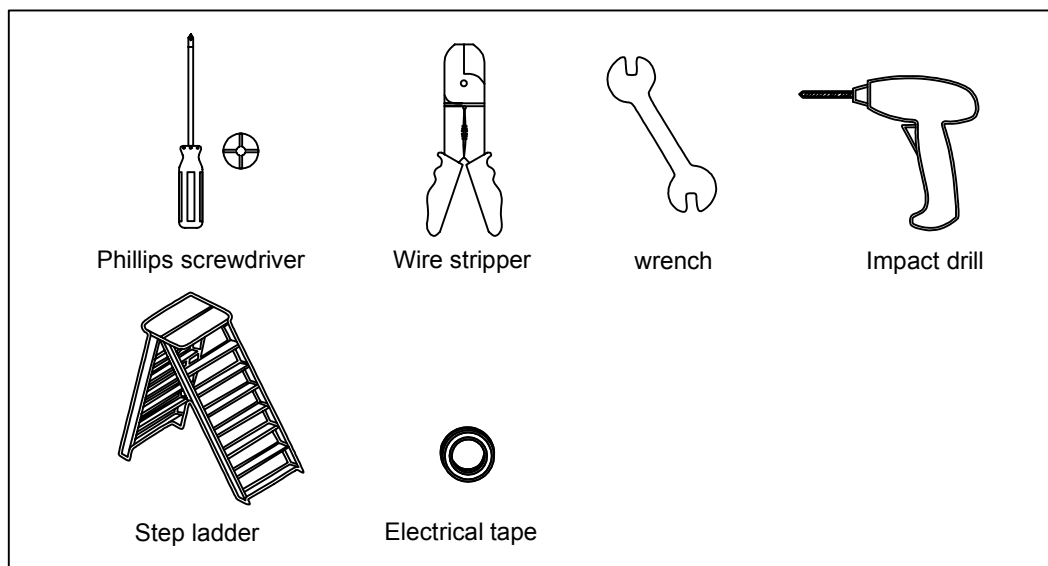
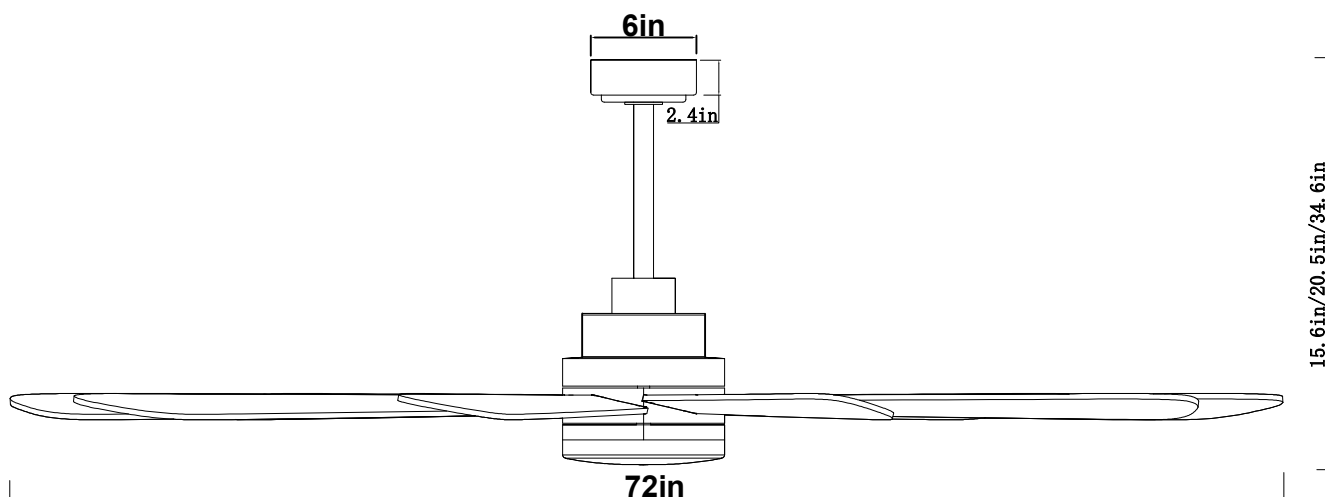


Figure 1.3

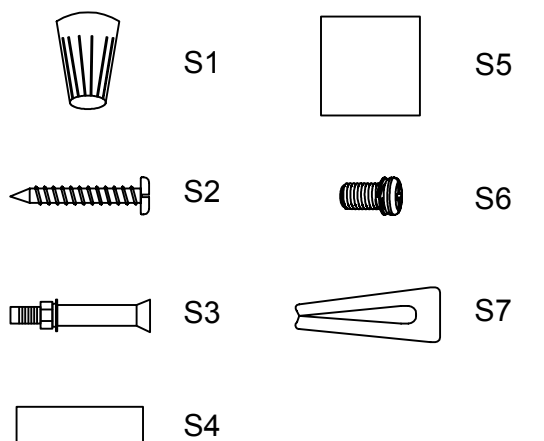
## Tools required for ceiling fan installation



# Dimension Reference

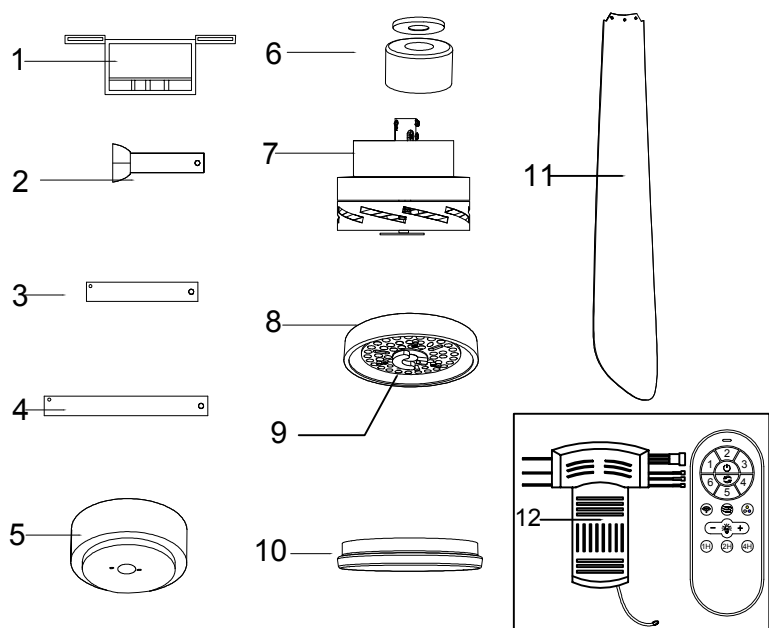


# Hardware Included



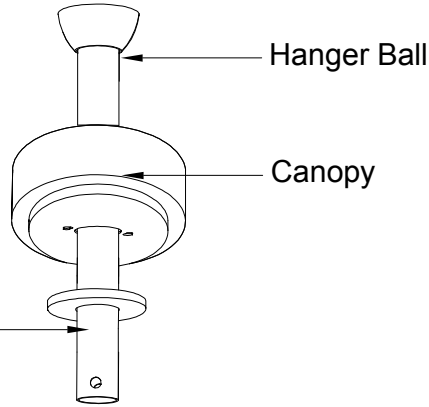
Hardware Package	Quantity
S1. Wire Connector	5
S2. Wood Screw	4
S3. Expansion Screw	2
S4. Sponge Pad	2
S5. Balanced Patch	1
S6. Fan Blade Screw	28
S7. Balance Clamp	1

# Fan Parts Included

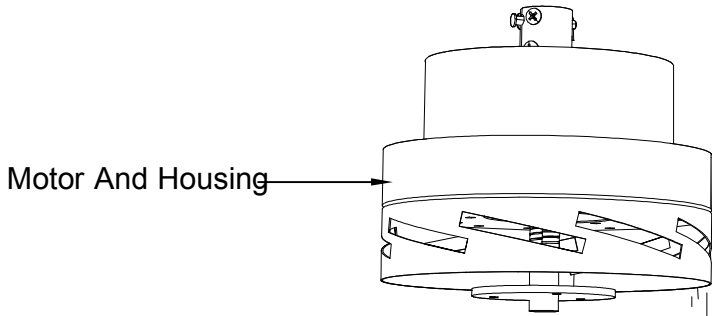
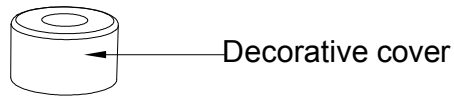


Name	Quantity
1. Hanger Bracket	1
2. 5 Inch Downrod	1
3. 10 Inch Downrod	1
4. 24 Inch Downrod	1
5. Canopy	1
6. Decorative cover	1
7. Motor And Housing	1
8. Lampshade chassis	1
9. LED	1
10. Lamp shade	1
11. Fan Blades	9
12. Remote Control (Batteries Not Included)	1

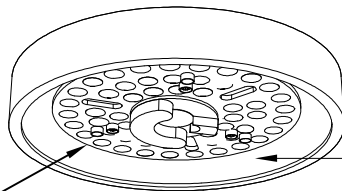
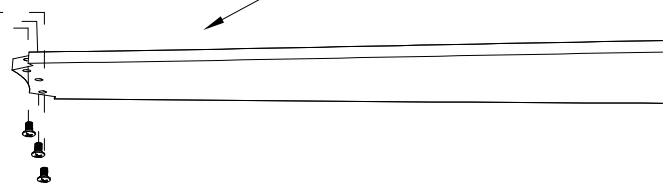
# Exploded View



Down Rod

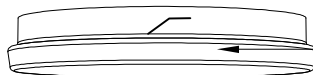


Fan Blade



LED

Lampshade chassis



Lampshade

# Installation Instructions

## Step1 INSTALL THE BOOM, CANOPY AND DECORATIVE COVER

- Take out the motor assembly and pull out the pin and cotter pin , Loosen the two set screws in the down rod support of the motor assembly.(Figure 1.1)
- Insert the lower rod bracket at the top of the motor. Install the Bolt by aligning the hole in the lower rod bracket with the hole in the lower rod. Secure the Bolt with a cotter pin. Tighten the two fixing screws in the lower rod bracket.(Figure 1.2)
- Place all wires through the Decorative cover And Canopy.(Figure 1.3)
- Reattach the hanging ball to the lower rod with wires running through the hanging ball. Position the pin through the two holes of the lower rod and align the hanging ball so that the pin is caught in the groove at the top of the hanging ball. Pull the hanging ball tightly onto the pin. Securely tighten the setting screws inside the suspension ball. A loose setting screw may cause the fan to wobble. (Figure 1.4)

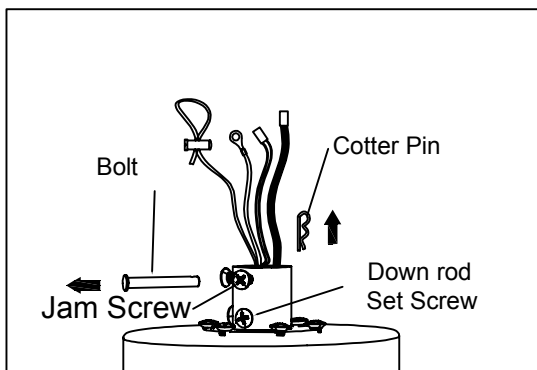


Figure 1.1

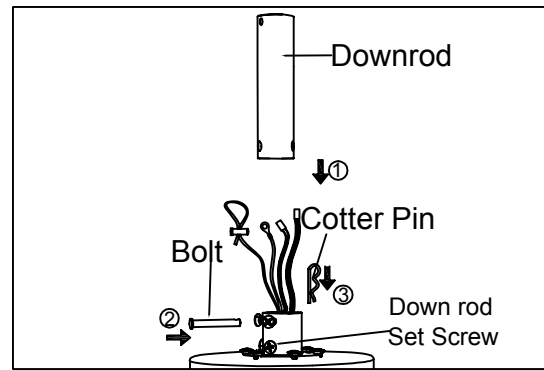


Figure 1.2

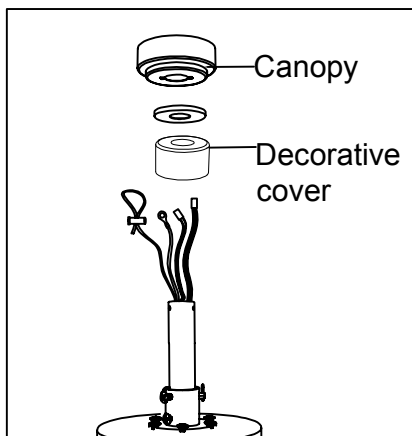


Figure 1.3

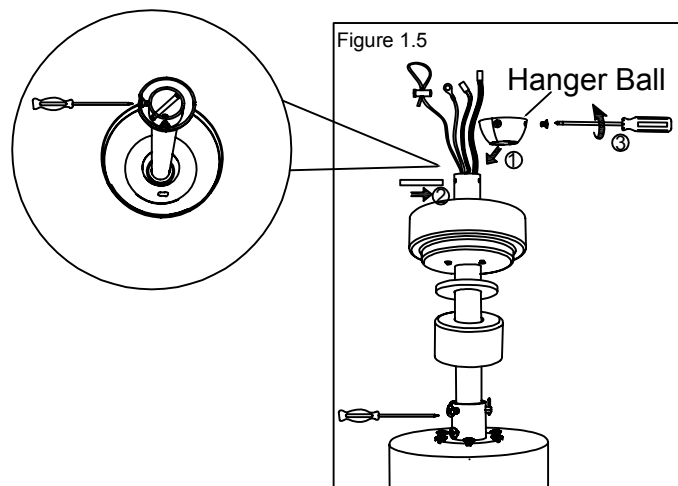


Figure 1.4

**CAUTION:** To ensure wobble-free operation and to avoid damage to the fan, the down rod and the set screws must be completely tightened.

# Installation Instructions

## Step2 INSTALL MOUNTING BRACKET

- Install J-Hook through center of outlet box and into the wooden joist.(Figure 2.1)
- Secure mounting bracket and rubber gaskets to metal outlet box.Hang the safety cable onto the J-hook.(Figure 2.2)
- Place the lobes in the hanger and turn the pipe so that the groove on the lobes engages the lugs on the dome(inside the hanger) ,The lug groove must engage the hanger lug.(Figure 2.3)

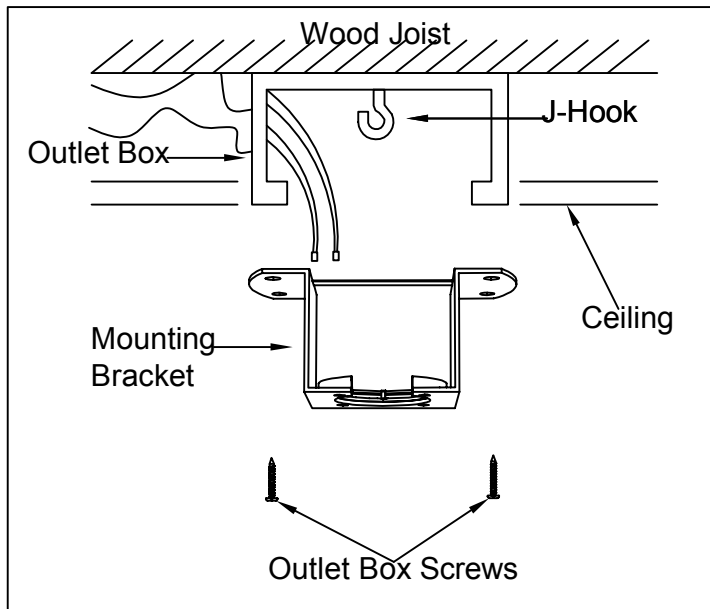


Figure 2.1

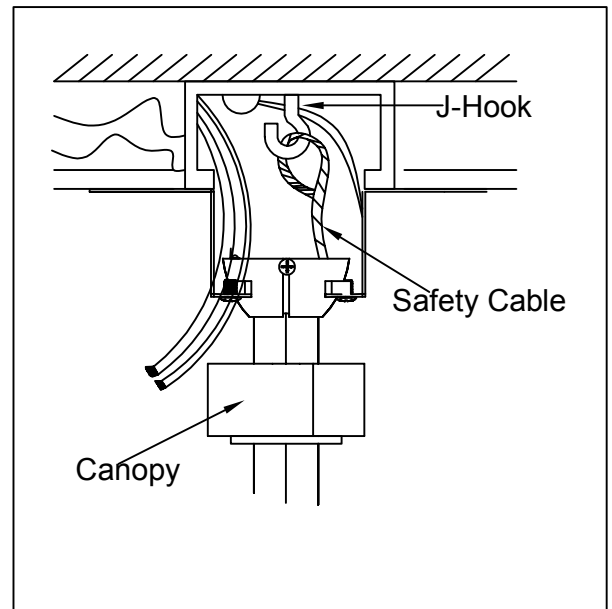


Figure 2.2

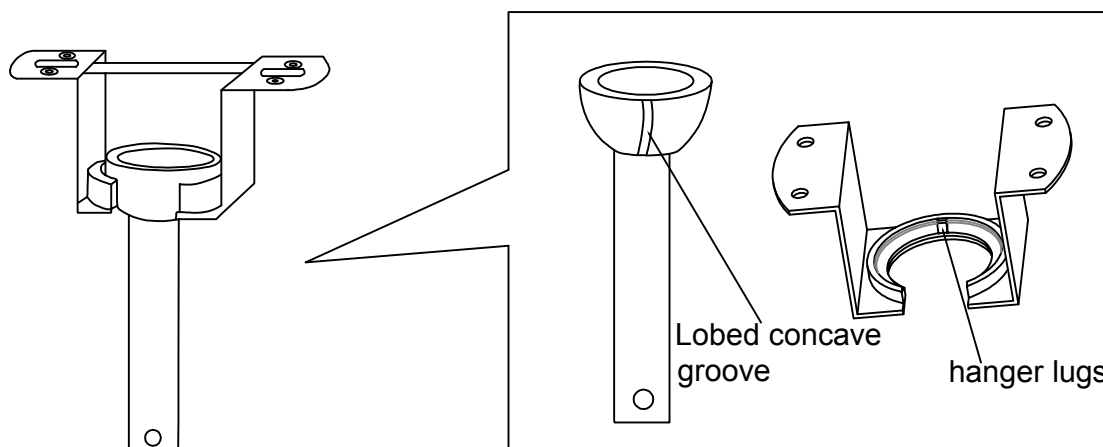


Figure 2.3

**NOTE:** When installing fan on sloped ceiling, make sure tab on hanger bracket faces towards the top of the slope. Depending on the slope, a longer down rod may be required to prevent fan blades from hitting the ceiling.

# Installation Instructions

## Step3 MOUNTING BLADES TO MOTOR

- Fix the fan blades on the motor with screws in turn.(Figure 3)

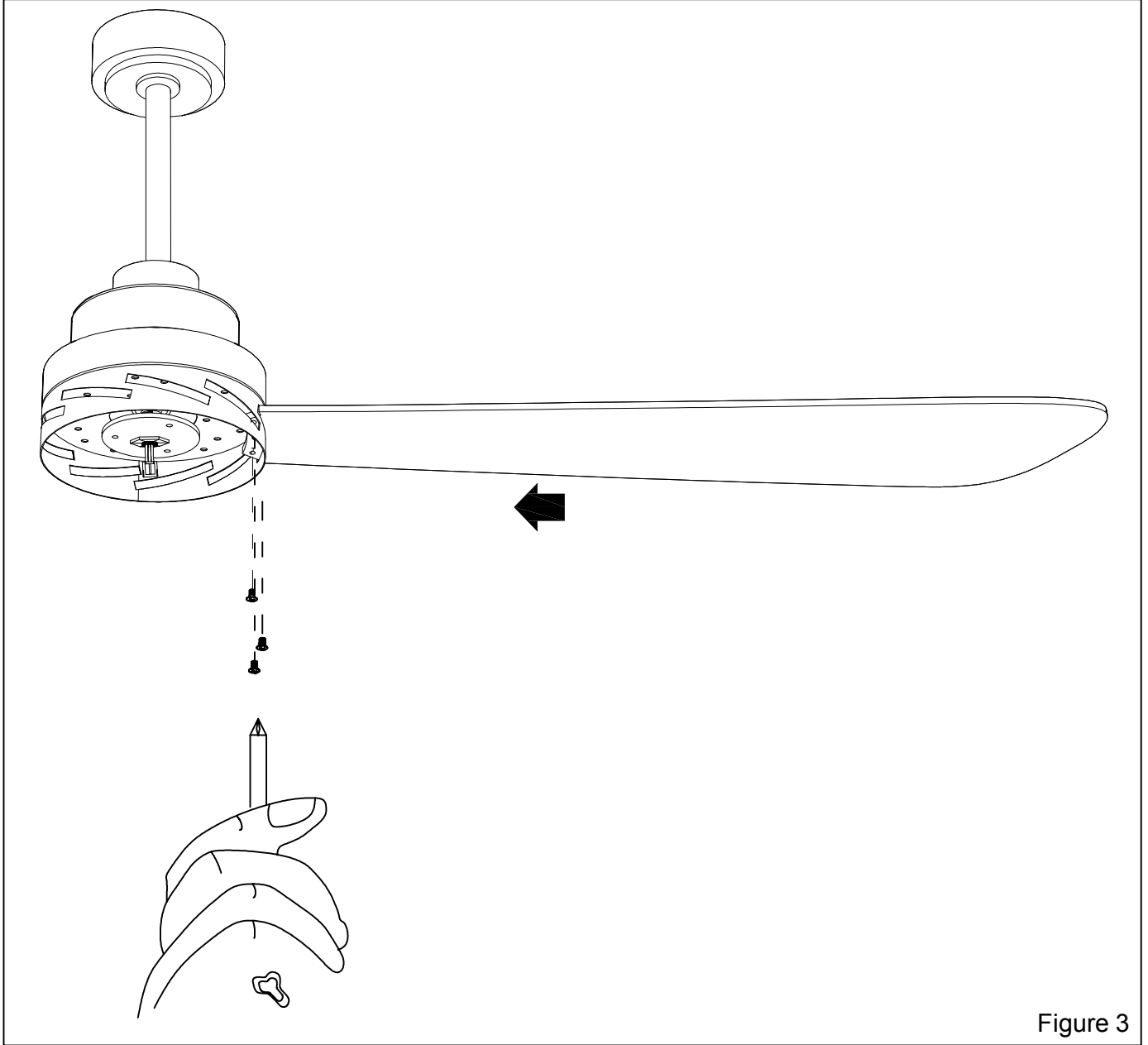


Figure 3

# Installation Instructions

## Step4 ELECTRICAL CONNECTION

Make the following wire connections to the receiver unit using the wire nuts supplied, Connect GREEN fan wire to BARE (ground) wire, Connect BLACK receiver unit wire to BLACK supply wire, Connect WHITE receiver unit wire to WHITE supply wire. Light source terminal wiring and Motor wire wiring connected according to labels. After making the wire connections, ensure the wires should be spread apart with the grounded conductor and the equipment-grounding conductor on one side of the outlet box and the ungrounded conductor on the other side of the outlet box. Ensure the splices after being made should be turned upward and pushed carefully up into the outlet box.(Figure 4)

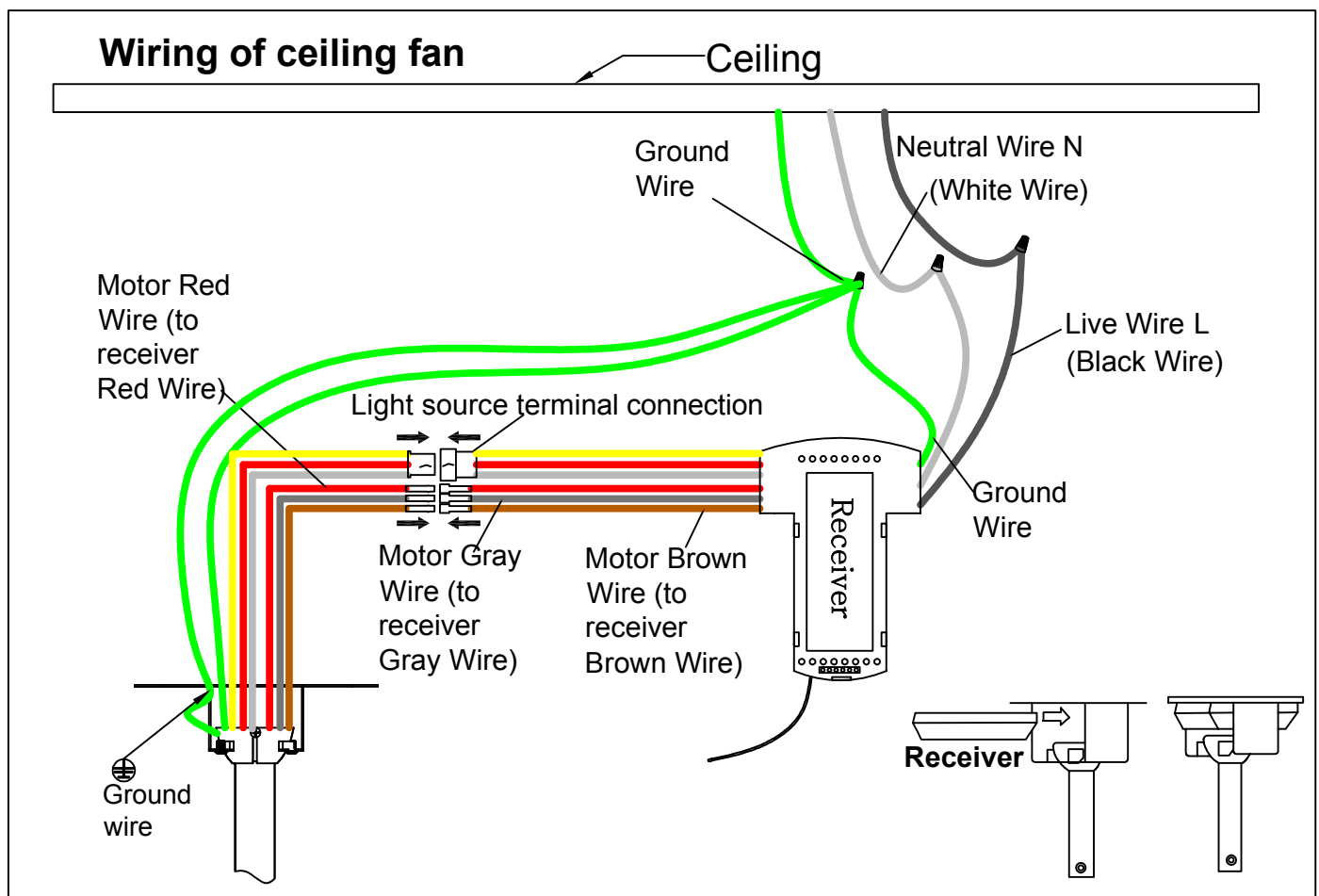


Figure 4

**NOTE:** Once ground wires are connected, carefully tuck all wires and receiver into the metal box making sure that the wires are clear of the hemisphere and down rod when positioned in hemisphere and down rod when positioned in mounting bracket.

# Installation Instructions

## Step5 HOW TO INSTALL YOUR CANOPY HOUSING

Push all connected wires up into ceiling box.

- Position the receiver into the mounting bracket as shown direction. When installing the canopy, ensure the antenna is not pressed by the canopy. Ensure to connect all ground wires accordingly. (Figure 5.1)
- Rotate the canopy upwards towards the screws on the hanger and tighten the screws. (Figure 5.2)

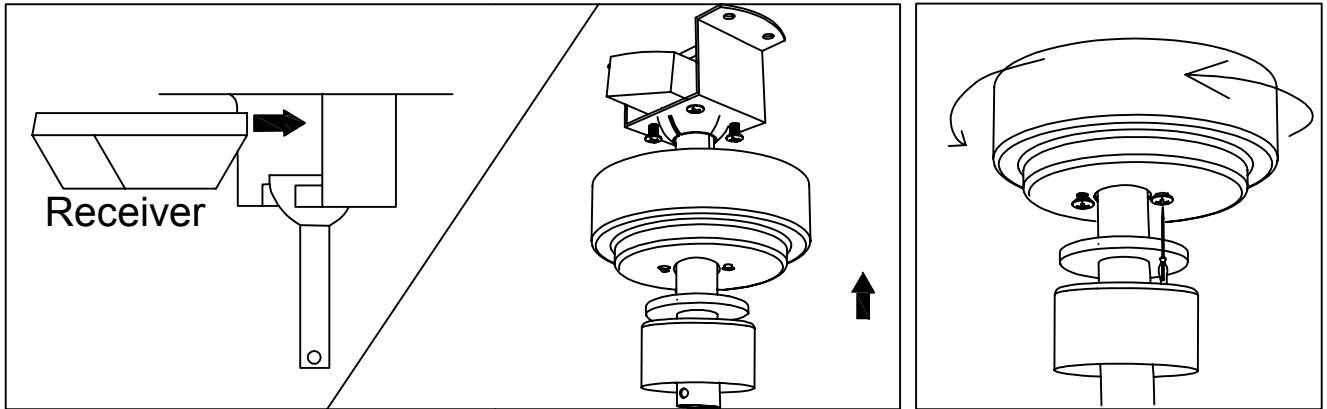


Figure 5.1

Figure 5.2

**WARNING:** Failure to seat tab in groove could cause damage to electrical wires and possible shock or fire hazard.

# Installation Instructions

## Step6 LIGHT KIT

**WARNING:** Be sure to turn off power before installing

- Remove the screws on the iron sheet at the bottom of the motor, put the lampshade chassis up, tighten the screw.(Figure 6.1)
- Connect the bottom terminal of the motor to the LED aluminum substrate.(Figure 6.2)
- Install the lampshade and rotate the lampshade onto the lampshade chassis.(Figure 6.3)

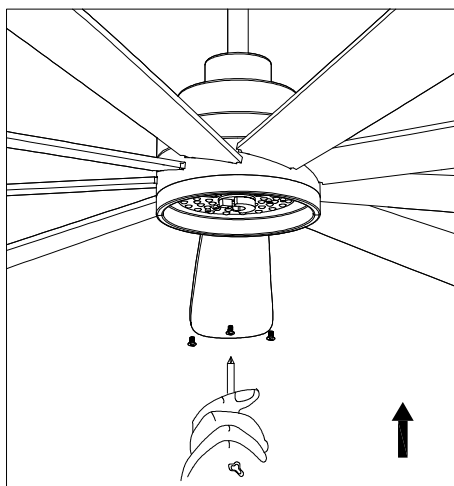
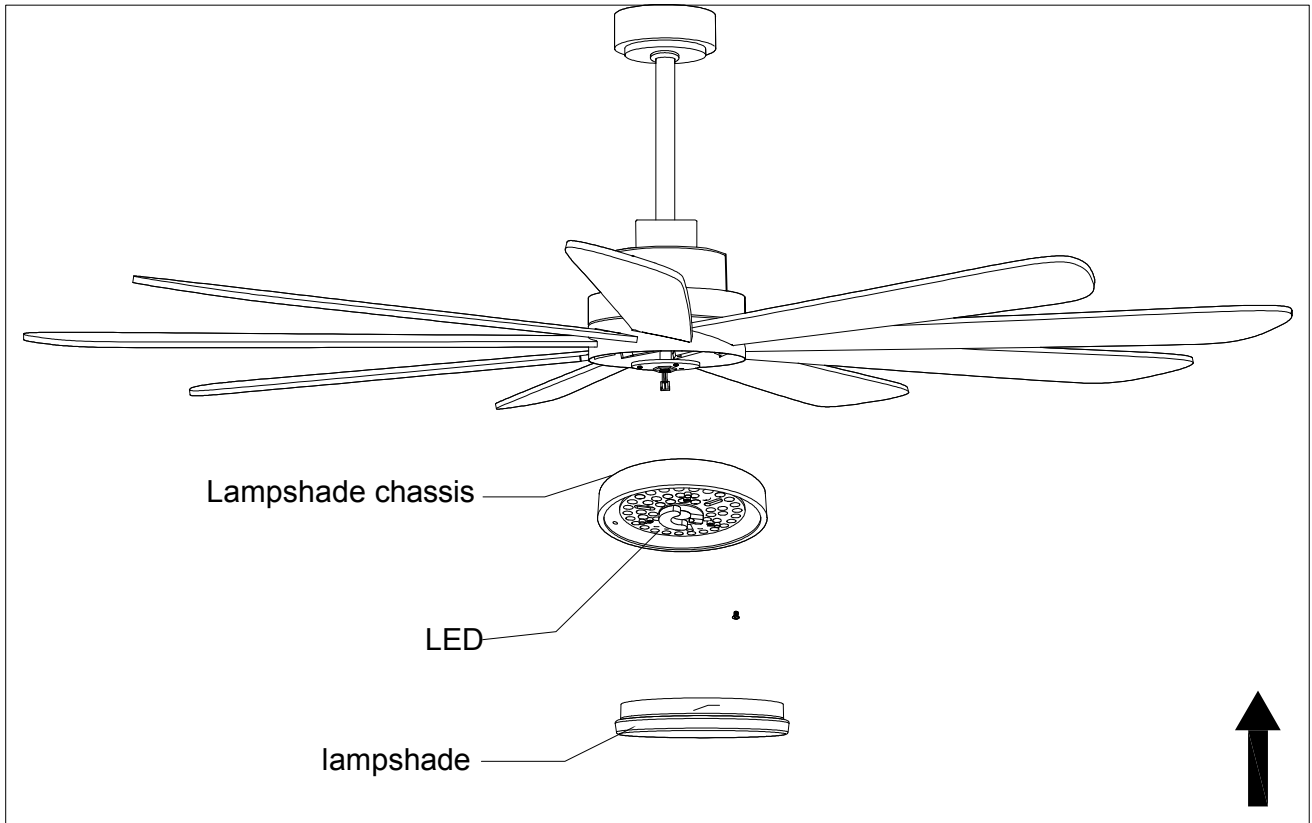


Figure 6.1

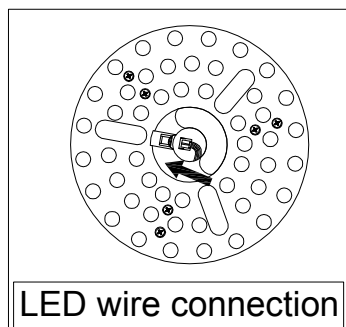


Figure 6.2

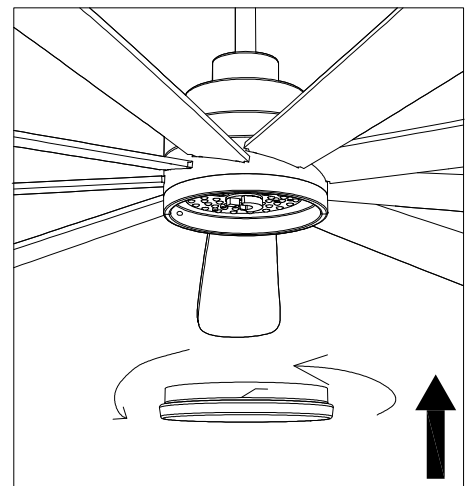


Figure 6.3

**WARNING:** Check all connections, set screws and screws are securely tightened before the next step.

# Installation Instructions

## Extension rod replacement installation method:

-In order to better experience the ceiling fan lighting effect and prevent the danger of contact, choose the extension rod according to the height of the house.



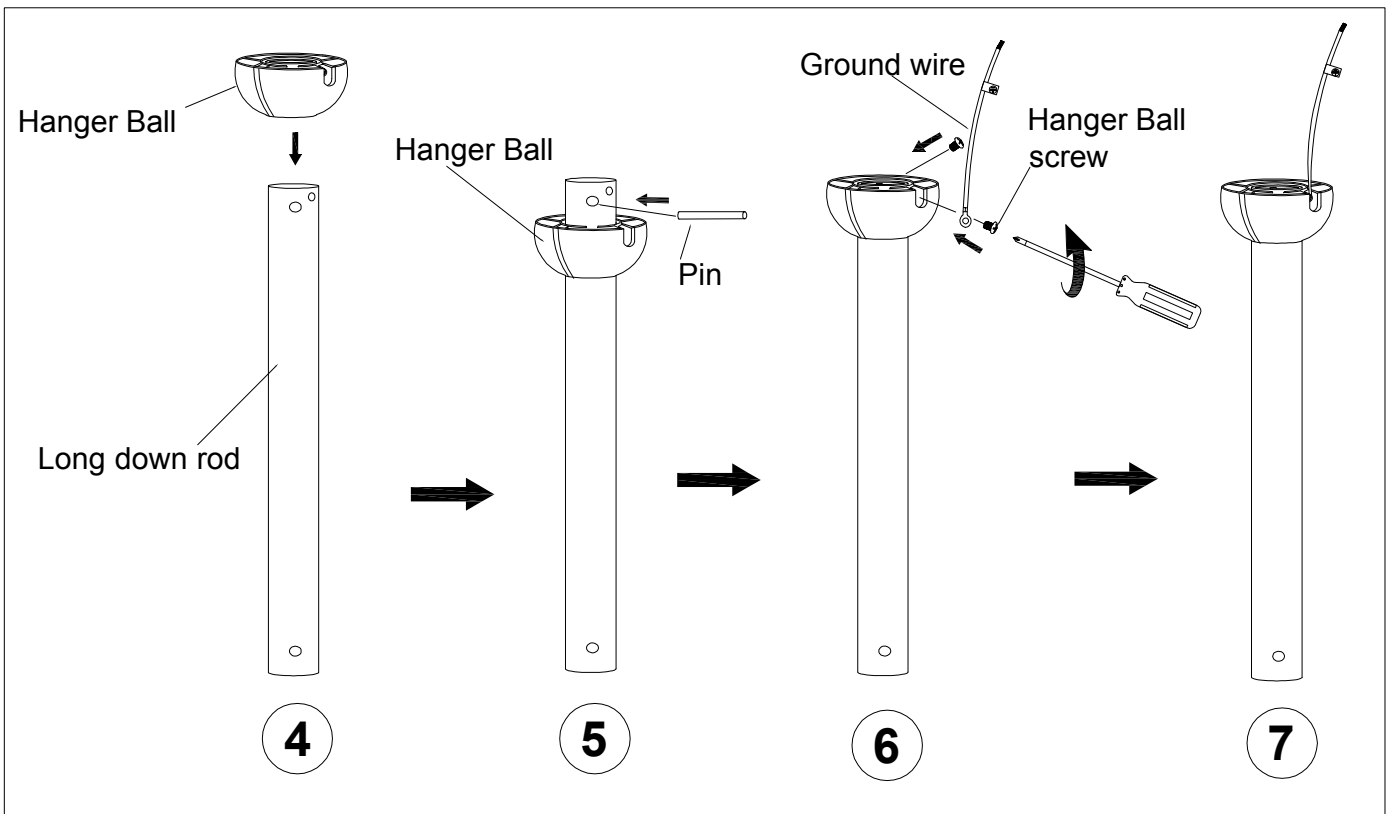
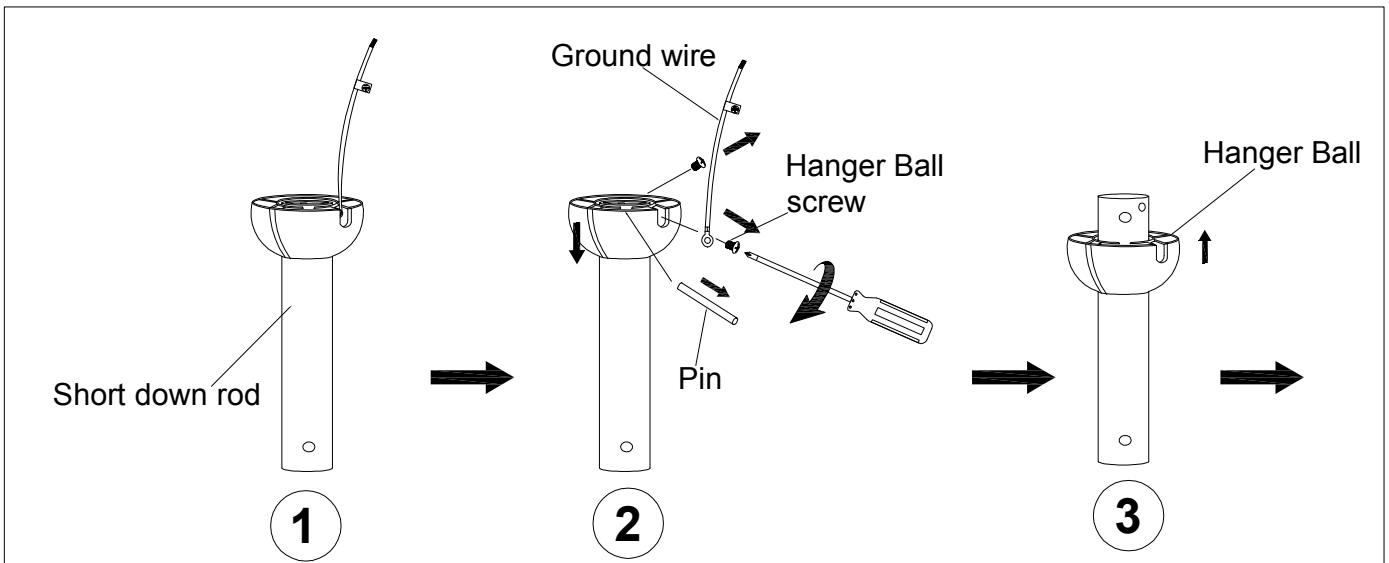
**WARNING**



### FAN FALL HAZARD

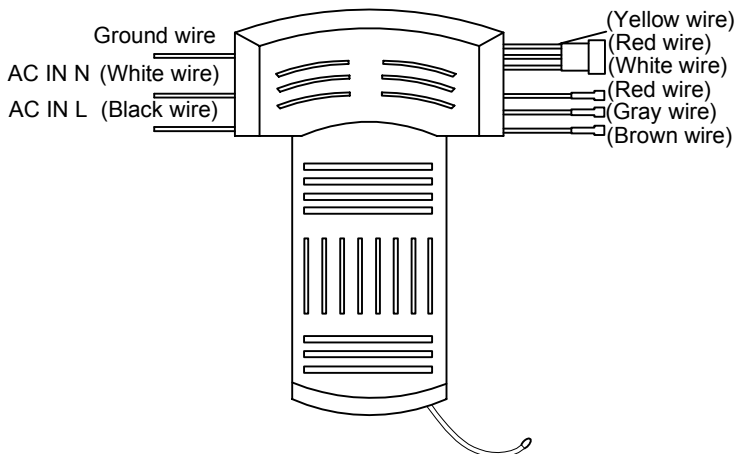
To prevent **SERIOUS INJURY** or **DEATH**:

- ALWAYS follow the downrod assembly instructions exactly.
- VERIFY the downrod is assembled correctly by firmly pulling on the hanger ball.
- Pin must be reinserted secure downrod assembly.



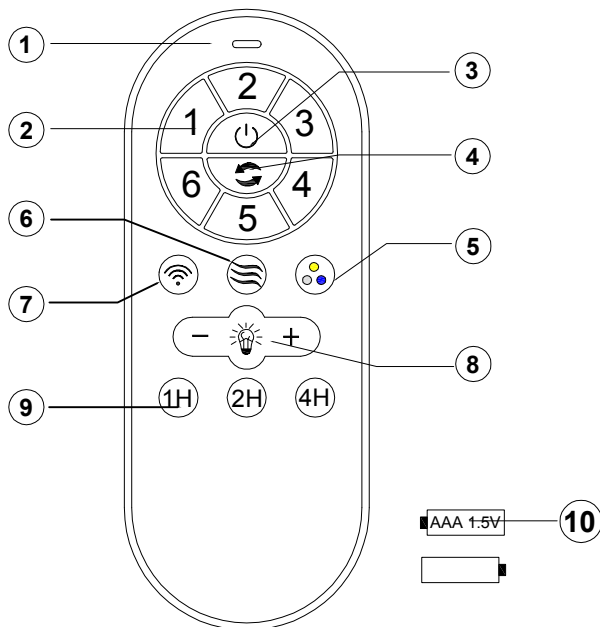
# Controller Description

## Controller line name



- ◆ RF wireless digital transmission technology, one-to-one control, the weight rate is less than one part of a million (if there is any damage, the controller and remote control must be sent back to the manufacturer for repair).
- ◆ In the allowable space, the load can be controlled by any Angle of the remote control and the direction is not limited.


## Instructions for remote control



1. Switch Indicator
  2. Speed control button: 1-6
  3. Fan on/off button
  4. Forward /Reverse switch
  5. Light temperature
  6. Natural Wind
  7. TU YA APP Matching
  8. Light switch
  9. Timer (1H-2H-4H)
  10. Battery For Switch AAA(1.5V)
- Note: Factory shipment without battery

Actual use shall be subject to the real product

### Learning method of remote control:

Power on the receiver, press the  key at the emitter at once. The learning is succeed ,when hear double beep ringing from the loudspeaker.

### Notices

1. When the emitter is unable to remotely control the receiver, please check whether the switch batteries are in good contact, whether they are fixed properly and whether they run out of use.
2. When the emitter is unable to remotely control the receiver, please check whether there is other remote control products around the space and check whether the keys are pressed down, because same nature of remote control product may cause interference with each other resulting in poor receiving effect. Taking away such articles will normalize the remote control function. (the infrared remote controller is not included).
3. Please use this product under applicable voltage. Too low voltage will lead to failure of the remote controller to work (Please refer to the product label for the voltage range and related parameters).
4. Please take out the batteries if you will not use this product for a long time.

# Troubleshooting Guide

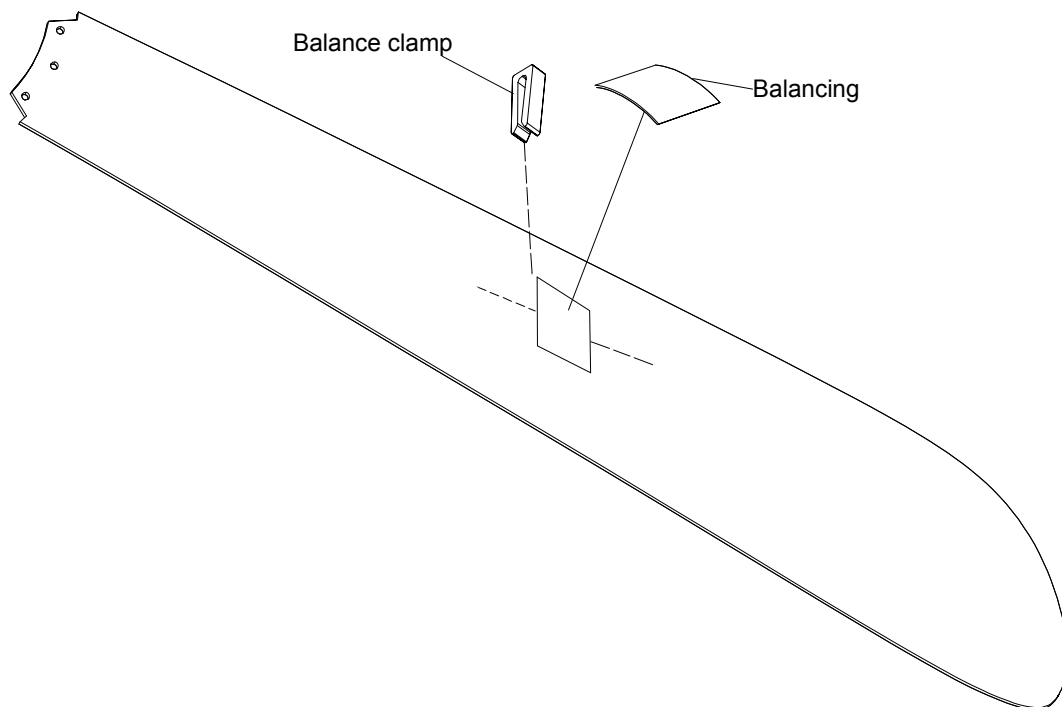
If you have difficulty operating your new ceiling fan it may be the result of incorrect assembly, installation, or wiring. In some cases these installation errors may be mistaken for defects. If you experience any faults please check this troubleshooting guide.

	Problem	Suggested Remedy
1	If fan does not work.	<input type="checkbox"/> Check the fuses or circuit breakers of the main and branch circuits. <input type="checkbox"/> Check the wiring connections to the fan and the switch wiring connections in the switch housing. <input type="checkbox"/> Check the battery in the remote control.
2	If fan sounds noisy.	<input type="checkbox"/> Ensure all motor housing screws are snug. <input type="checkbox"/> Ensure the screws that attach the fan blade bracket to the motor hub are tight. <input type="checkbox"/> Ensure the wire nut connections are not rattling against each other or the interior wall of the switch housing. <input type="checkbox"/> Allow a 24-hour "breaking in" period. Most noises associated with a new fan disappear during this time. <input type="checkbox"/> If you are using the Ceiling Fan light kit, ensure the screws securing the glassware are tight. Check that the light bulbs are also secure. <input type="checkbox"/> Ensure the canopy is a short distance from the ceiling. It should not touch the ceiling. <input type="checkbox"/> Ensure your outlet box is secure and rubber isolate pads were used between the mounting plate and outlet box.
3	If fan wobbles.	<input type="checkbox"/> Check that all blades are screwed firmly into blade holders. <input type="checkbox"/> Check that all blade holders are tightened securely to motor. <input type="checkbox"/> Make sure that canopy and mounting bracket are tightened securely to ceiling junction box and junction box is mounted firmly to ceiling joist. <input type="checkbox"/> Most fan wobble problems are caused when blade levels are unequal. Check this level by selecting a point on the ceiling above the tip of one of the blades keeping measure within 1/8 in. Rotate the fan until the next blade is positioned for measurement. Repeat for each blade. If all blade levels are not equal you can adjust blade levels by the following procedure. To adjust a blade tip down insert a washer (not supplied) between the blade and blade holder at the screw closest to the motor. To adjust a blade tip up insert washer (not supplied) between the blade and blade holder at the two screws farthest the motor. <input type="checkbox"/> If blade wobble is still noticeable, interchanging two adjacent(side by side) blades can re-distribute the weight and possibly result in smoother operation.
4	If light does not work.	<input type="checkbox"/> Check blue wire from fan to make sure it is connected to hot wire from the house. <input type="checkbox"/> Check for loose or disconnected wires in fan switch housing. <input type="checkbox"/> Check for loose or disconnected wires in light kit. <input type="checkbox"/> Check for faulty light bulbs. CAUTION: Make sure main power is turned off before entering switch housing. <input type="checkbox"/> If the fan light shuts off shortly after being switched on it may be due to excessive current demand. Turn off power to the fan and replace the light bulbs with lower wattage bulbs. Turn on power to the fan using the pull chain, wall switch, or remote control (whichever is installed on the particular fan).

# Balancing Kit

**The balancing kit should only be used if there is an unacceptable amount of fan wobble after completing all the steps in your Owners Manual under "Attaching The Fan Blades."**

1. Turn the fan on and set the speed control setting to a speed at which the wobbles is the greatest.
2. Turn off the fan and allow it to come to a complete stop. Select one blade and place the balance clip on it, halfway between the blade holder and the blade tip on the trailing edge of blade.
3. Turn the fan on. Note whether the wobble has increased or decreased. Turn the fan off, move the clip to another blade, and retest. Repeat this procedure on all blades noting the blade on which the greatest improvement is achieved.
4. Move the clip back to the blade that showed the greatest improvement. Move the clip inward and outward on this blade and operate the fan to find the position where the clip gives the greatest improvement.
5. Remove the clip and install a balancing weight to the top of blade along the center line near the point where the clip was positioned.
6. If the fan wobble problem has not been corrected you may wish to try to improve the balancing further by using the balancing clip and additional weights.



# Maintenance Instructions

---

## **Warm Tips: The Maintenance of Ceiling Fans**

1. Because the ceiling fan always runs, please check regularly whether the hanger, fan blade, leaf rack and other parts are loose, if not, please fasten it in time to ensure it run with safety.
2. Keep ceiling fans clean regularly. Only use a soft brush or a lint-free cloth to clean it gently. Do not use a damp cloth or other destructive cleaner.
3. Don't add lubricating oil or lubricant to any part of this product.