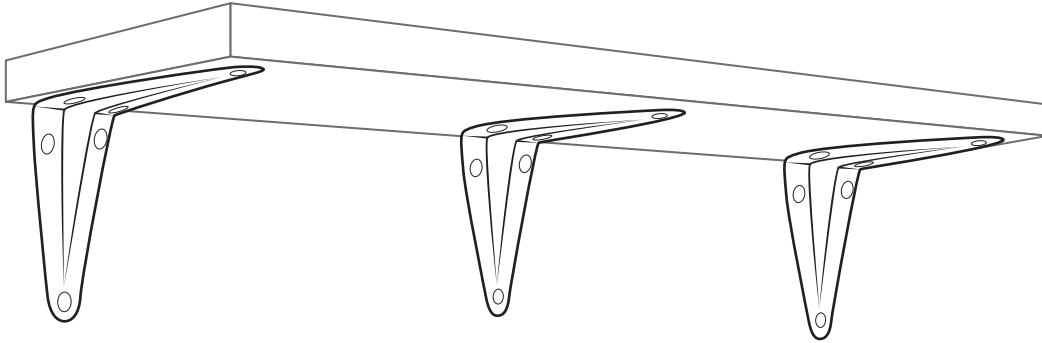


# ARRAS Bracket

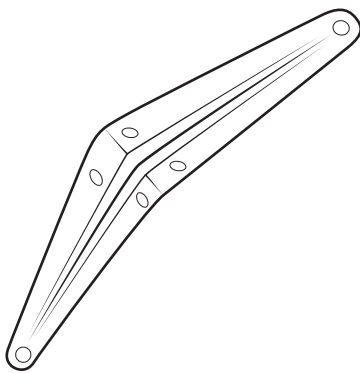
WARNING: Please do not mount this item above cribs, beds or changing tables.






## Attention!

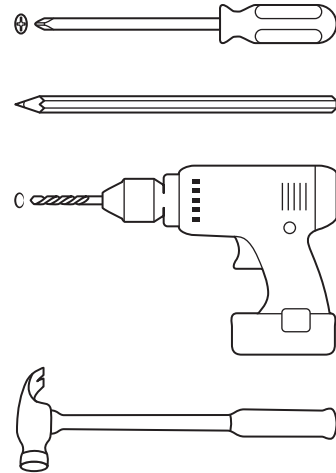
As a courtesy we have included basic anchors and screws for your convenience. However, different wall materials required different fasteners/screws. If necessary please obtain screws and anchors suitable for the walls in your home from your local hardware store.

## Each bracket bag includes:



-  9 anchors
-  9 long screws
-  9 short screws

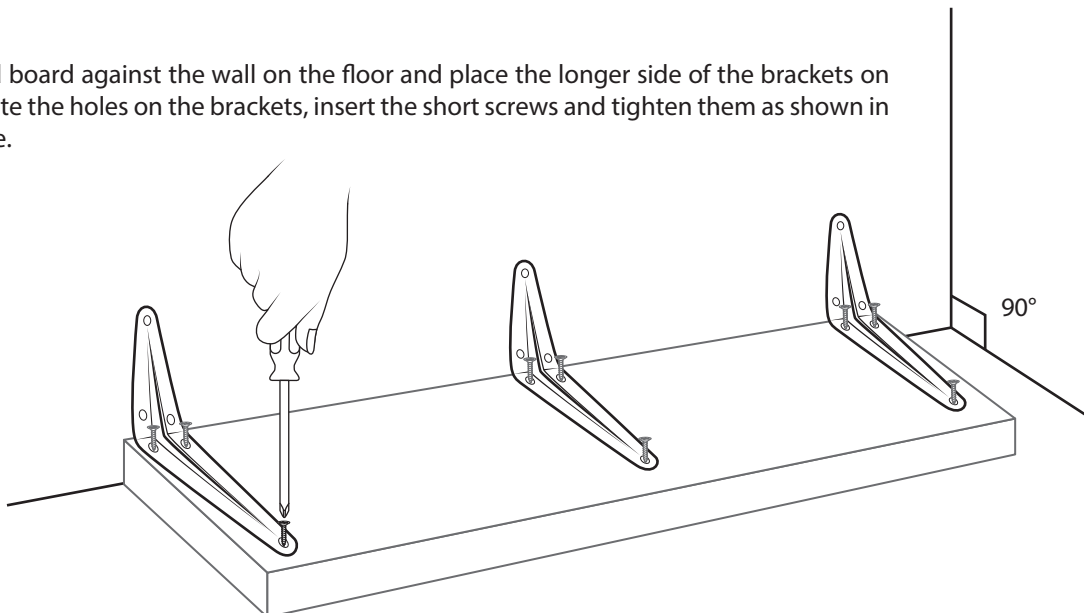
## Tools needed



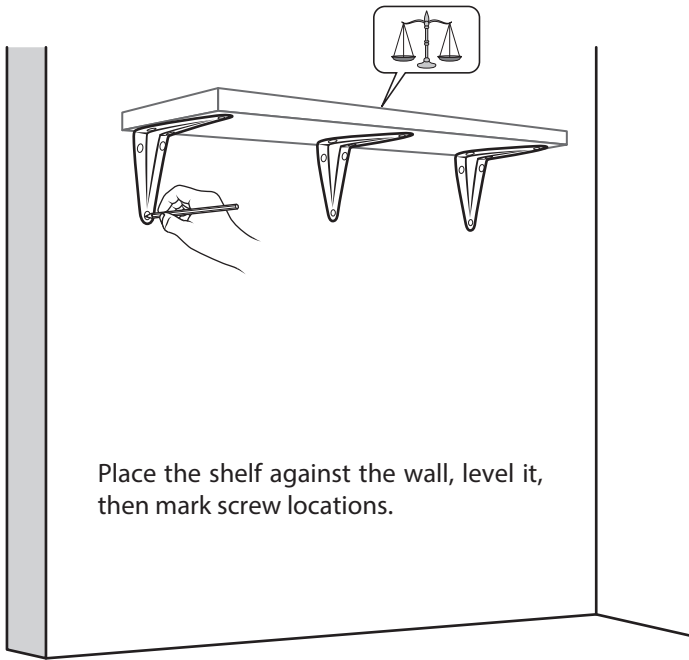
## Assembly Instructions

### STEP 1

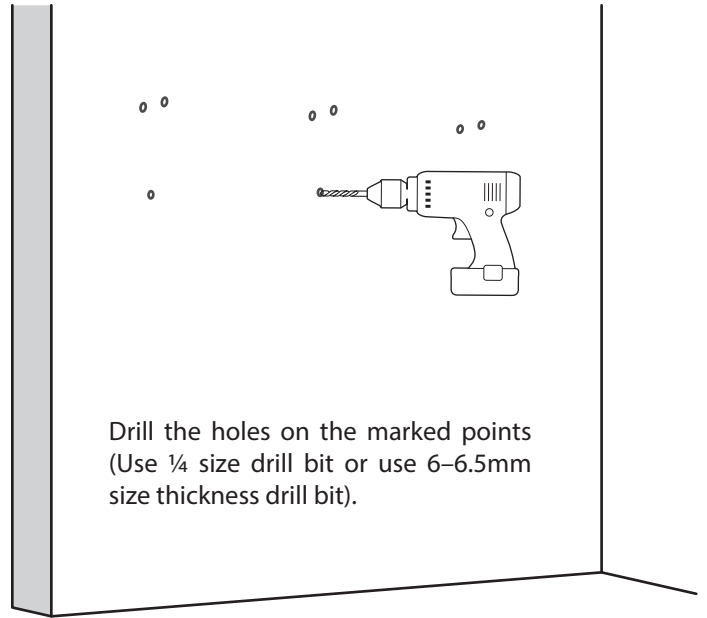
Place the wood board against the wall on the floor and place the longer side of the brackets on the board. Locate the holes on the brackets, insert the short screws and tighten them as shown in the picture here.



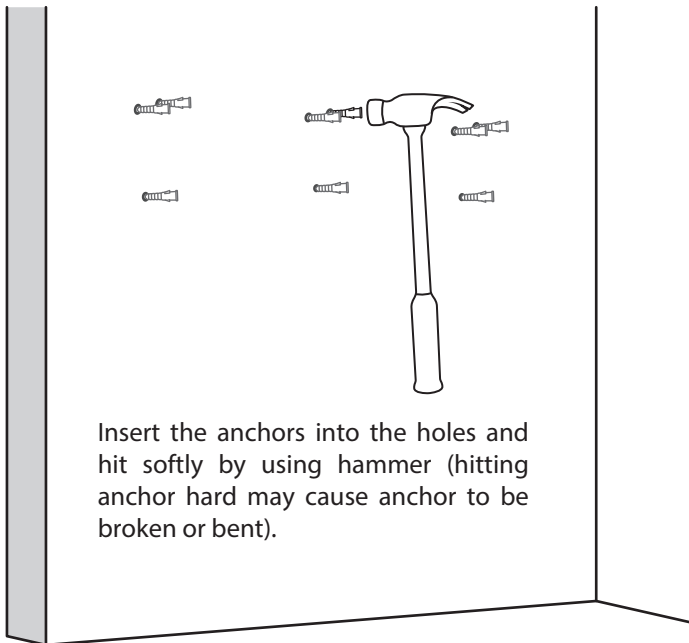
## STEP 2



## STEP 3



## STEP 4



## STEP 5

