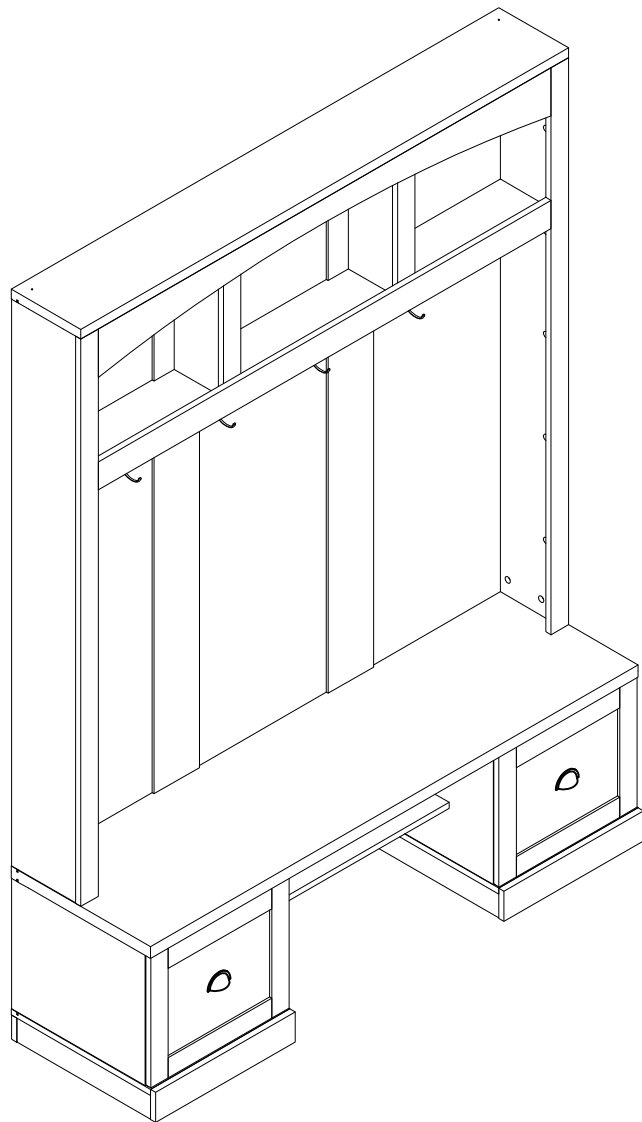


Hall Tree

Assembly Instructions -Please keep for future reference



Dimensions

Width-55.1 inch

Depth-16.3 inch



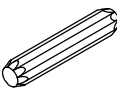



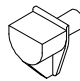






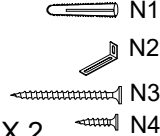
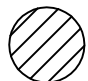
Height-73.4 inch

Important -Please read these instructions fully before starting assembly

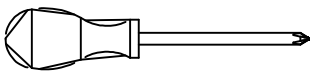
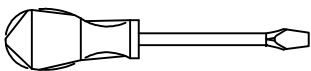
Components -Fittings

Please check you have all the panels listed below

Note: The quantities below are the correct amount to complete the assembly. In some cases more fittings may be supplied than are required.

<p>(A) </p> <p>Cam Bolt x 119+3</p>	<p>(B) </p> <p>Cam lock x 119+3</p>	<p>(C) </p> <p>Dowel x 44+3</p>	<p>(D) </p> <p>3.5*14mm Screw x 8</p>
<p>(E) </p> <p>Clothes hook x 4</p>	<p>(F) </p> <p>7*50mm Screw x 5</p>	<p>(G) </p> <p>Movable partition bracket x 8</p>	<p>(H) </p> <p>Hinge x 4</p>
<p>(I) </p> <p>Handle x 2</p>	<p>(J) </p> <p>Screw+Nut x 4</p>	<p>(K) </p> <p>3.5*14mm Screw x 24+3</p>	<p>(L) </p> <p>Plastic buckle x 32</p>
<p>(M) </p> <p>3*12mm Screw x 32</p>	<p>(N) </p> <p>Hook X 2</p>	<p>(O) </p> <p>Sticker Cover x 40+3</p>	

Tools required



Phillips screwdriver
(medium & large)



Safety and Care Advice

Important – Please read these instructions fully before starting assembly

- Check you have all the components and tools listed on the following pages.
- Remove all fittings from the plastic bags and separate them into their groups.
- Keep children and animals away from the work area, small parts could choke if swallowed.
- Make sure you have enough space to layout the parts before starting.

- During assembly do not stand or put weight on the product, this could cause damage.
- Assemble the item as close to its final position (in the same room) as possible.
- Assemble on a soft level surface to avoid damaging the unit or your floor.
- Parts of the assembly will be easier with 2 people.



- To reduce the likelihood of damaging your product please ensure that your power drill is set on a low torque setting.

Care and maintenance

- Only clean using a damp cloth and mild detergent, do not use bleach or abrasive cleaners.
- From time to time check that there are no loose screws on this unit.
- This product should not be discarded with household waste. Take to your local authority waste disposal centre.

Handy Hints

- Assemble all parts and bolts loosely during assembly, only once the product is complete should you fully tighten the bolts
- Regularly check and ensure that all bolts and fittings are tightened properly.

WARNING
In order to help prevent overturning – please follow these instructions

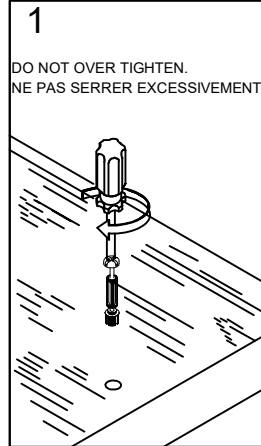
To help prevent product toppling over please follow the below steps:-

- Use the anti tip stap or wall fixing method provided (if applicable)
- Do not allow children to climb or hang on the furniture
- Do not open more than one drawer at a time
- Do not place heavy items in the top drawers
- Do not place heavy items on top of the furniture, unless the furniture has been designed for this purpose

Using Camlocks

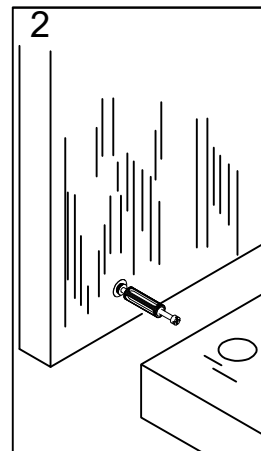
Step 1

Connect the male camlock as directed in the assembly instructions using a screwdriver.



Step 2

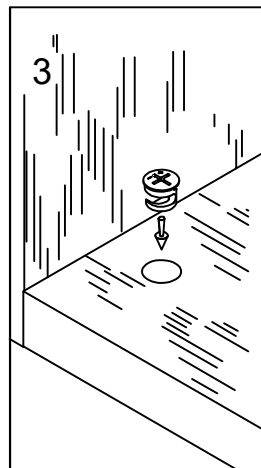
Push the male camlock into the entry hole.



Step 3

Insert the female camlock as shown in the instruction.

Note: ensure that the arrow on the top of the camlock points towards the entry hole for the male camlock.

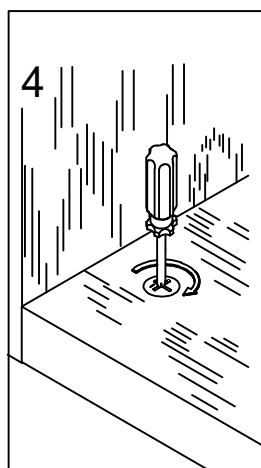


Step 4

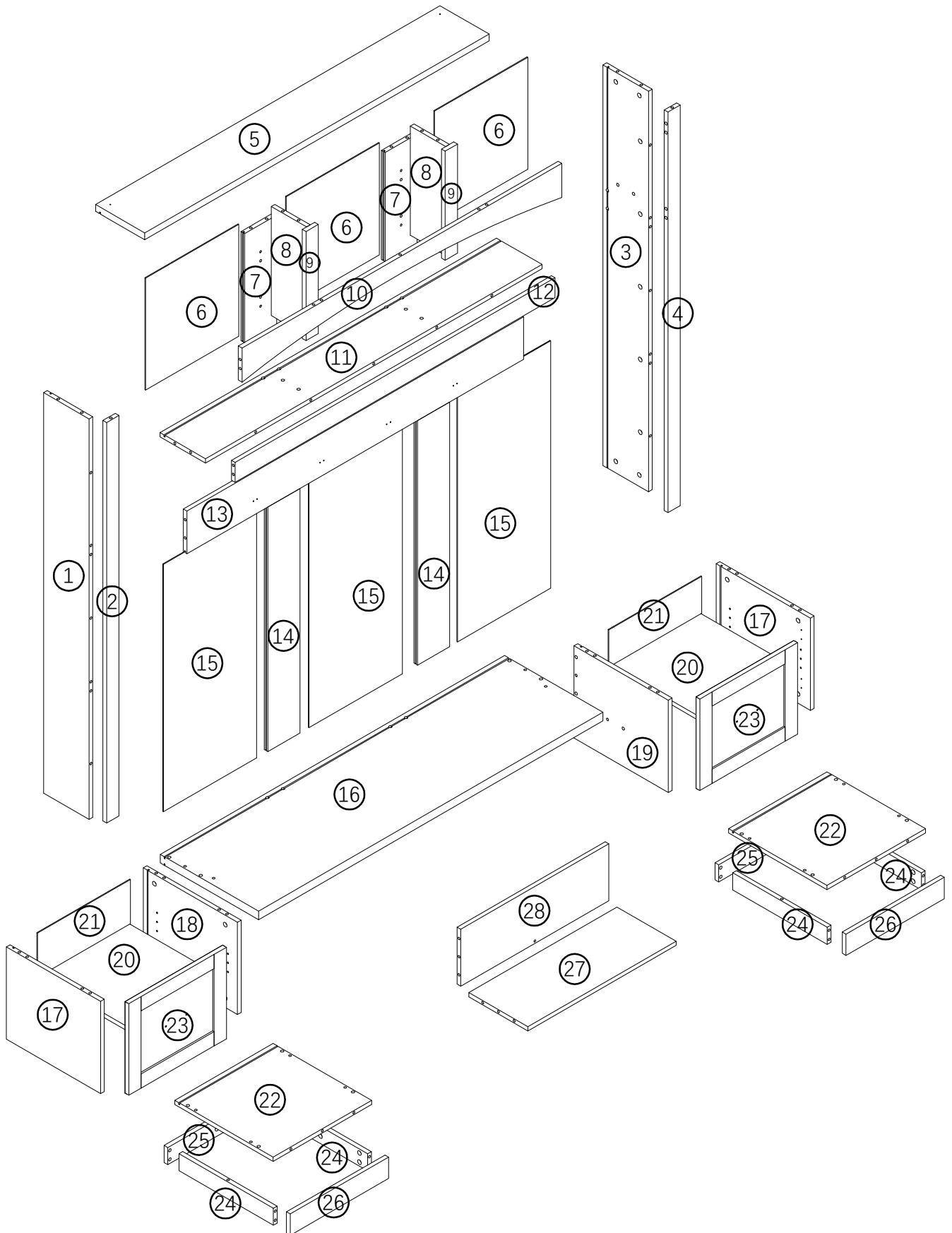
Turn the female camlock clockwise with a screwdriver.

You should feel a click when the camlock is locked in place.

The joint is now secure.



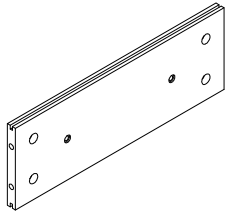
Assembly Instructions



There are 2 boxes of this product.

7

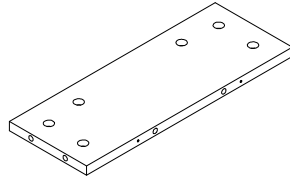
384*130*15mm



2PS

8

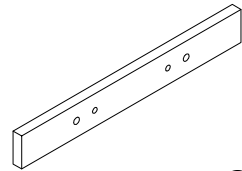
384*144*15mm



2PS

9

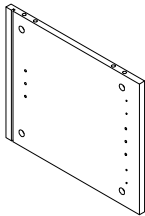
384*50*15mm



2PS

17

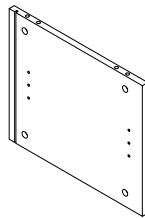
325*383*15mm



2PS

18

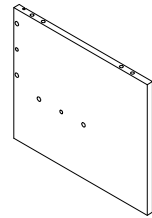
325*383*15mm



1PS

19

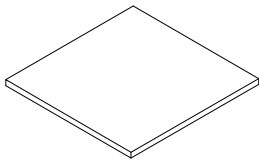
325*383*15mm



1PS

20

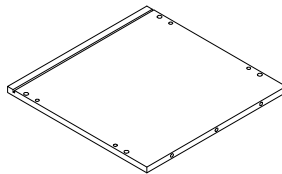
366*360*15mm



2PS

22

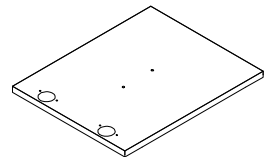
400*400*15mm



2PS

23

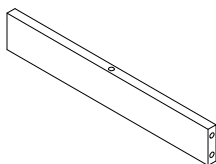
397*322*15mm



2PS

24

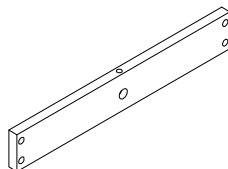
384*60*15mm



4PS

25

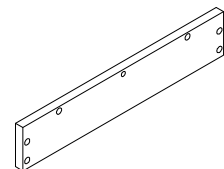
400*60*15mm



2PS

26

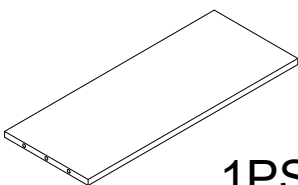
400*75*15mm



2PS

27

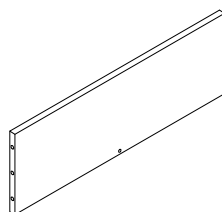
602*240*15mm



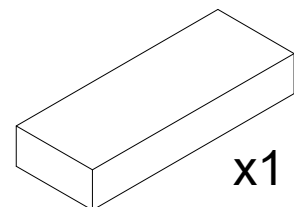
1PS

28

602*200*15mm



1PS

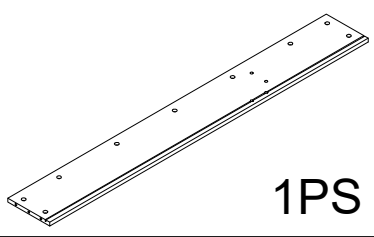


x1

Hardware Kit

①

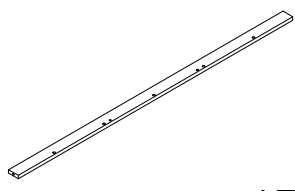
1410*185*15mm



1PS

②

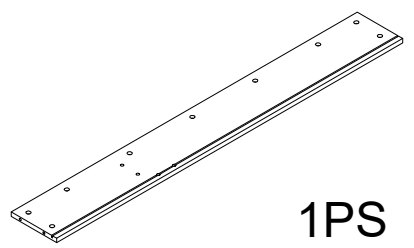
1410*50*15mm



1PS

③

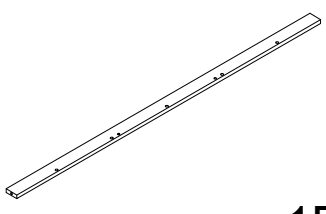
1410*185*15mm



1PS

④

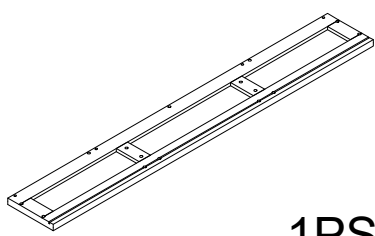
1410*50*15mm



1PS

⑤

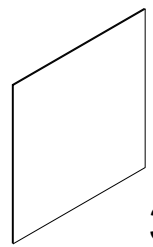
1400*200*24mm



1PS

⑥

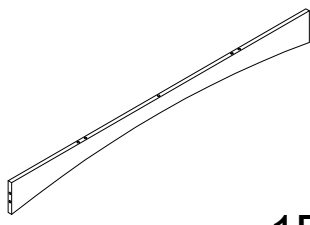
394*379*3mm



3PS

⑩

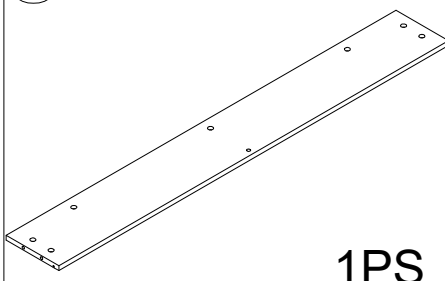
1300*120*15mm



1PS

⑪

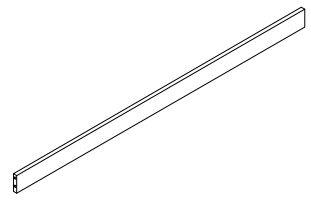
1368*185*15mm



1PS

⑫

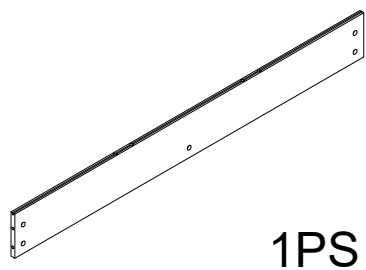
1300*70*15mm



1PS

⑬

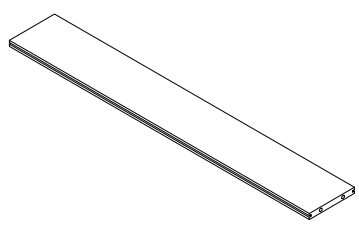
1368*150*15mm



1PS

⑭

861*130*15mm



2PS

⑮

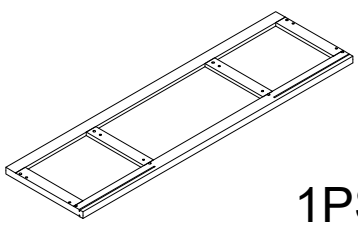
871*379*3mm



3PS

⑯

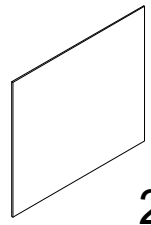
1400*400*30mm



1PS

⑰

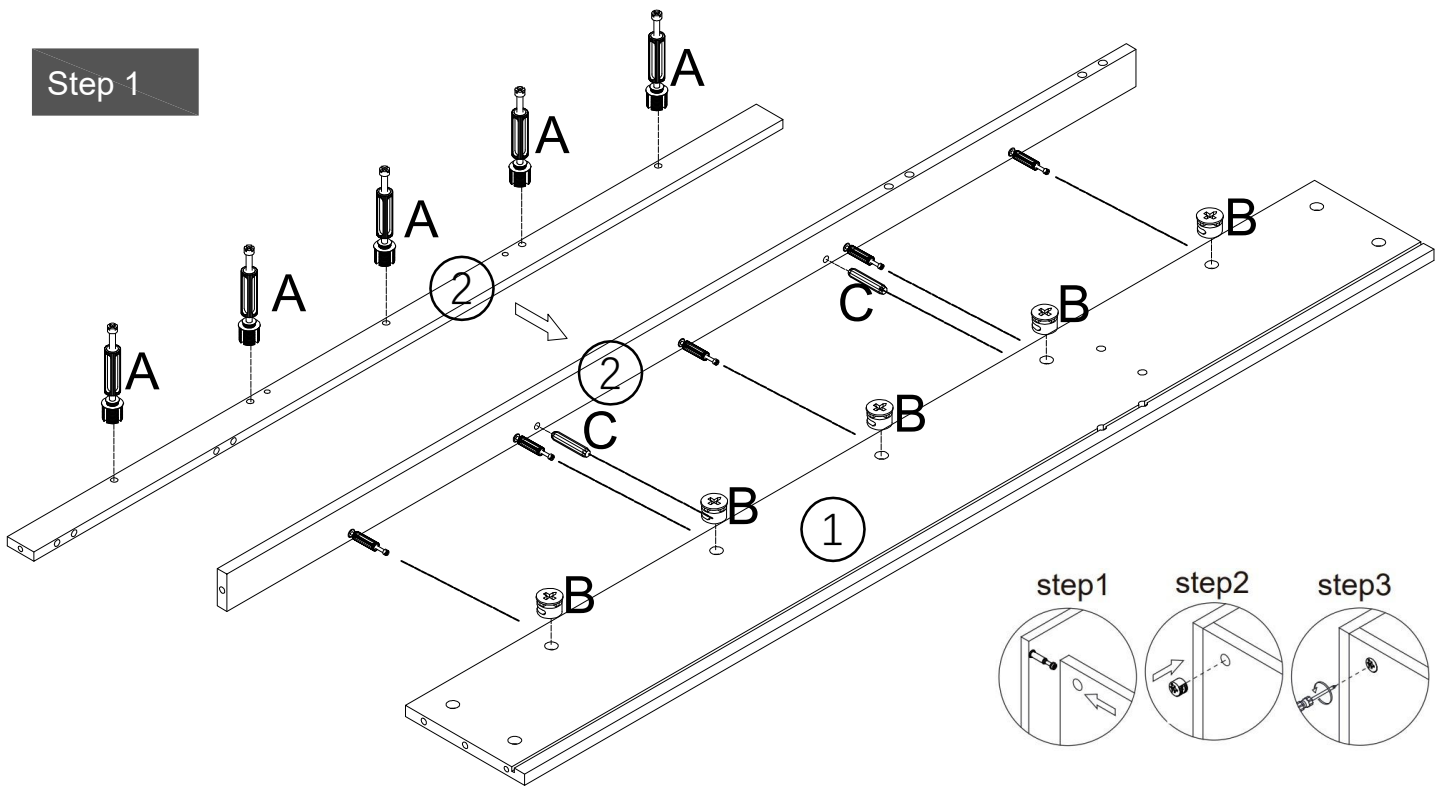
335*378*3mm



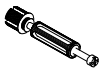
2PS

Assembly Instructions

Step 1



(A)



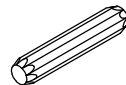
Cam Bolt x 5

(B)



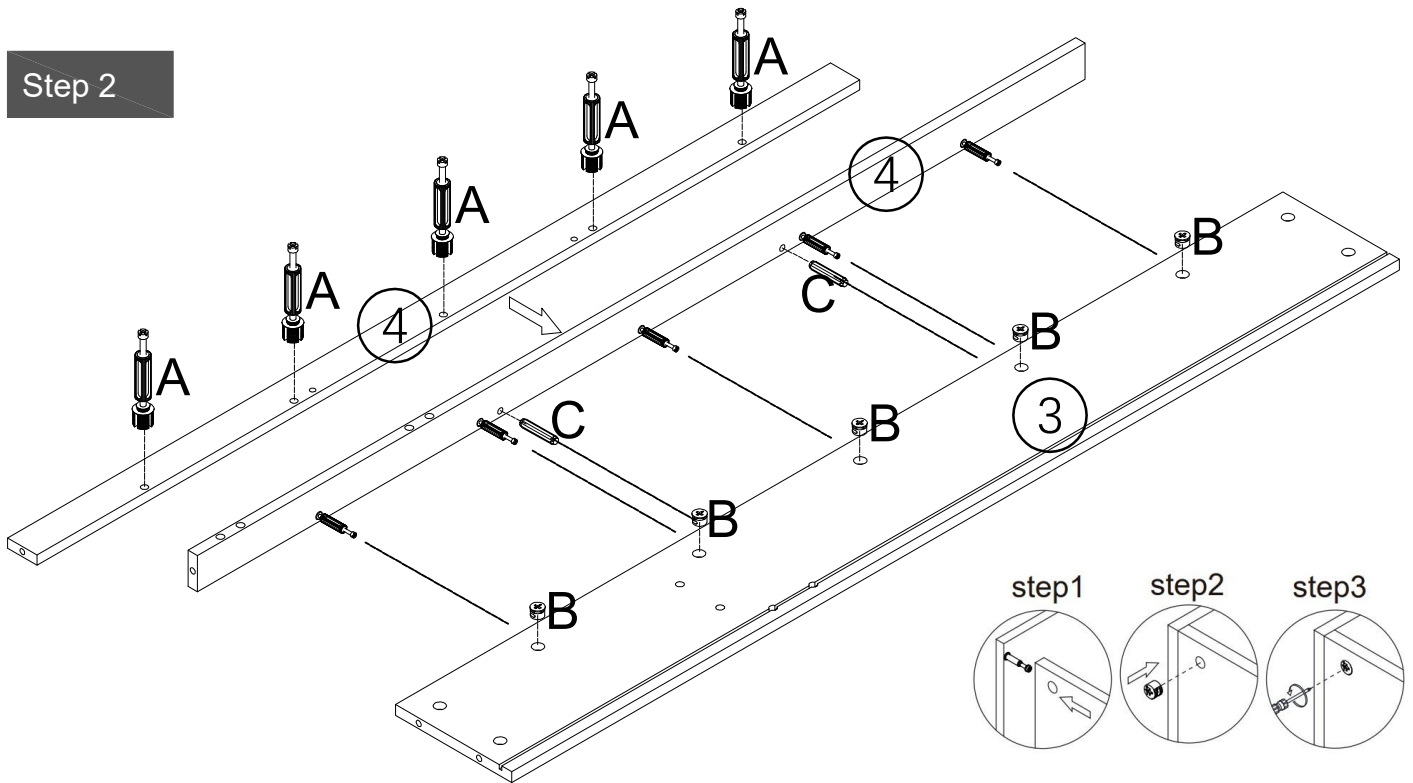
Cam lock x 5

(C)

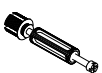


Dowel x 2

Step 2



(A)



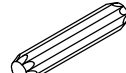
Cam Bolt x 5

(B)



Cam lock x 5

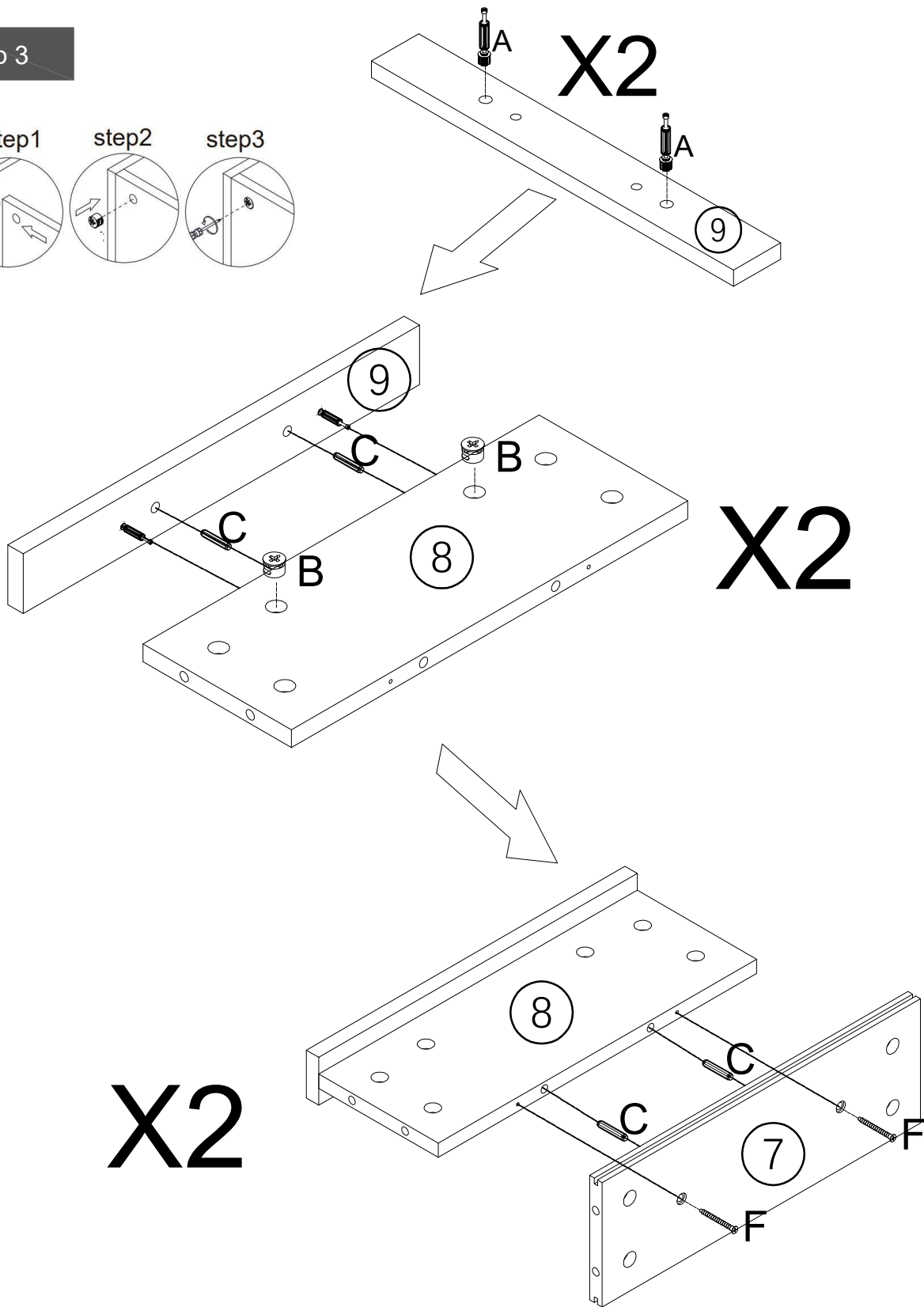
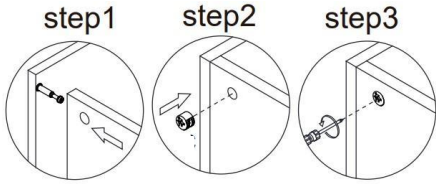
(C)



Dowel x 2

Assembly Instructions

Step 3



(A)



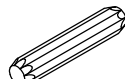
Cam Bolt x 4

(B)



Cam lock x 4

(C)



Dowel x 8

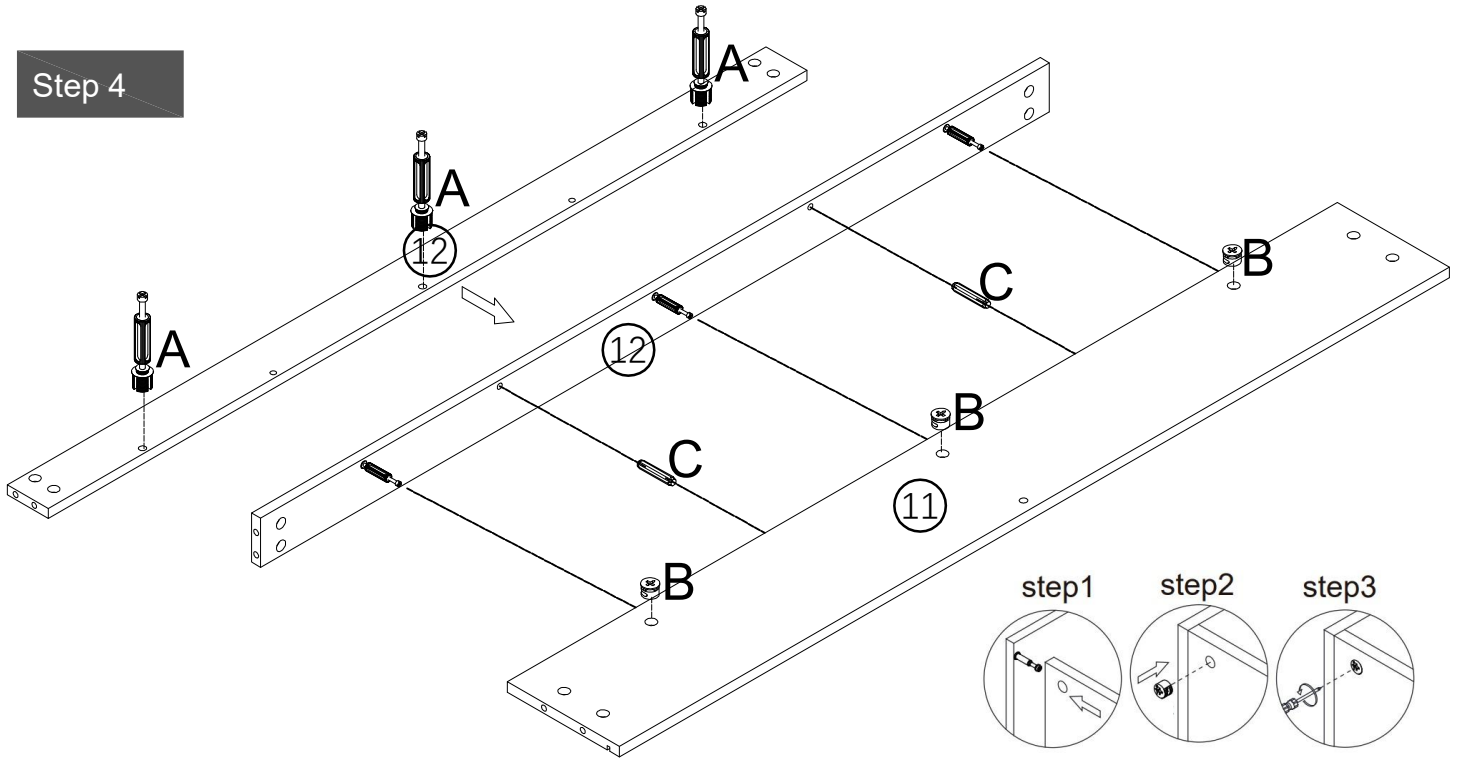
(F)



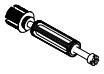
7*50mm Screw x 4

Assembly Instructions

Step 4



(A)



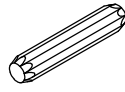
Cam Bolt x 3

(B)



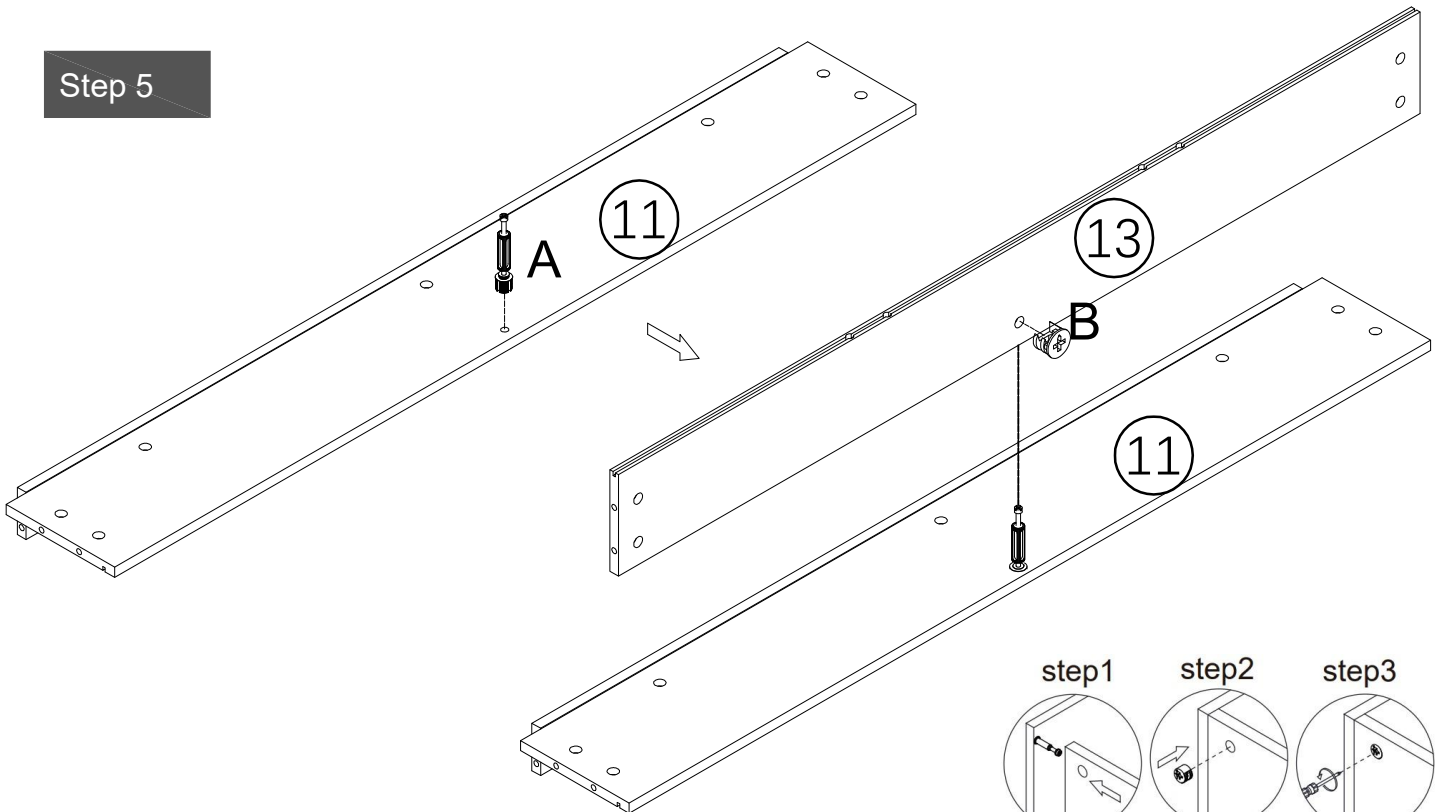
Cam lock x 3

(C)

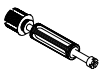


Dowel x 2

Step 5



(A)



Cam Bolt x 1

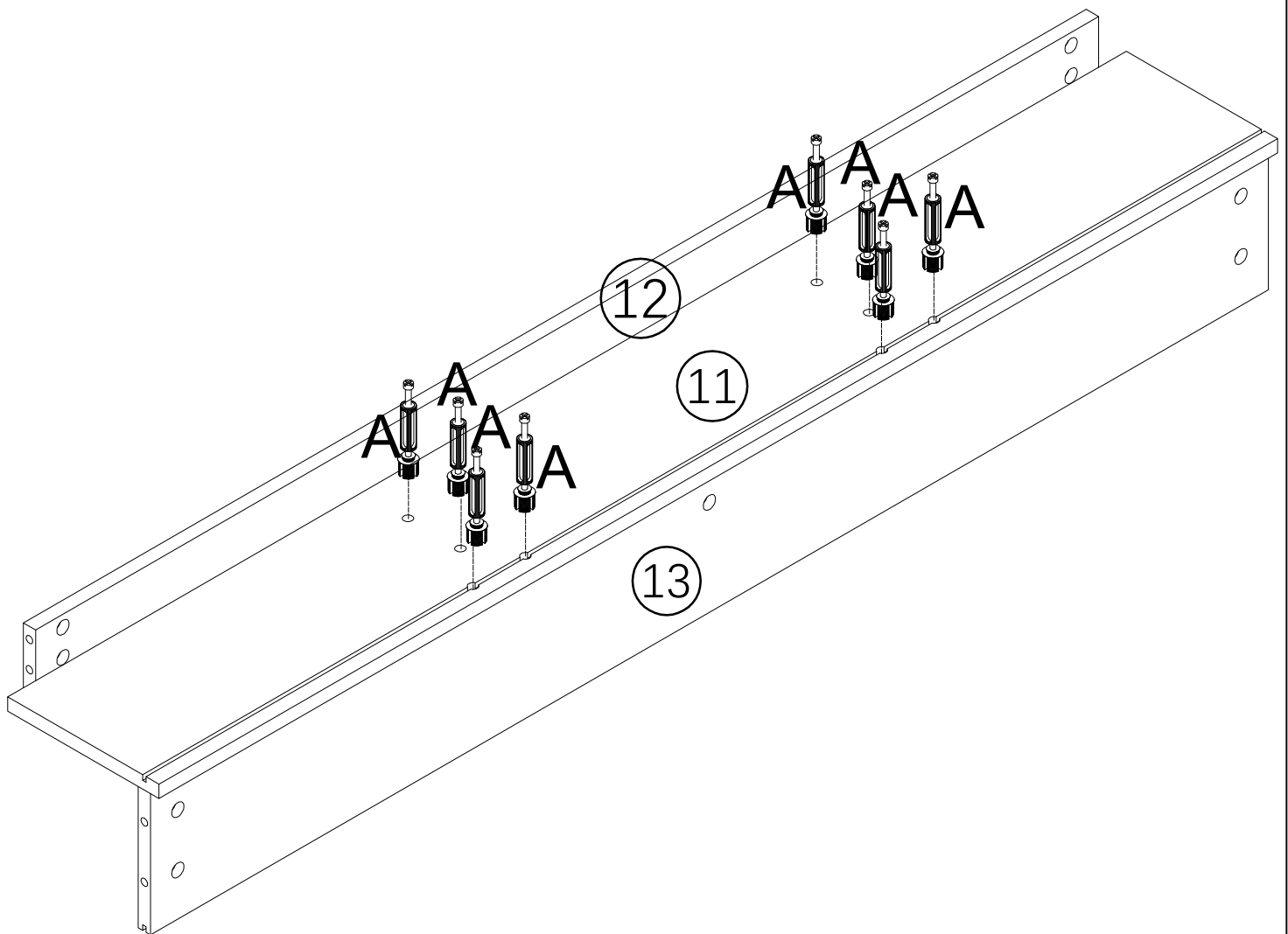
(B)



Cam lock x 1

Assembly Instructions

Step 6



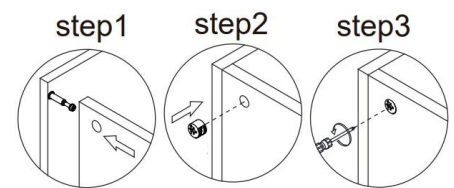
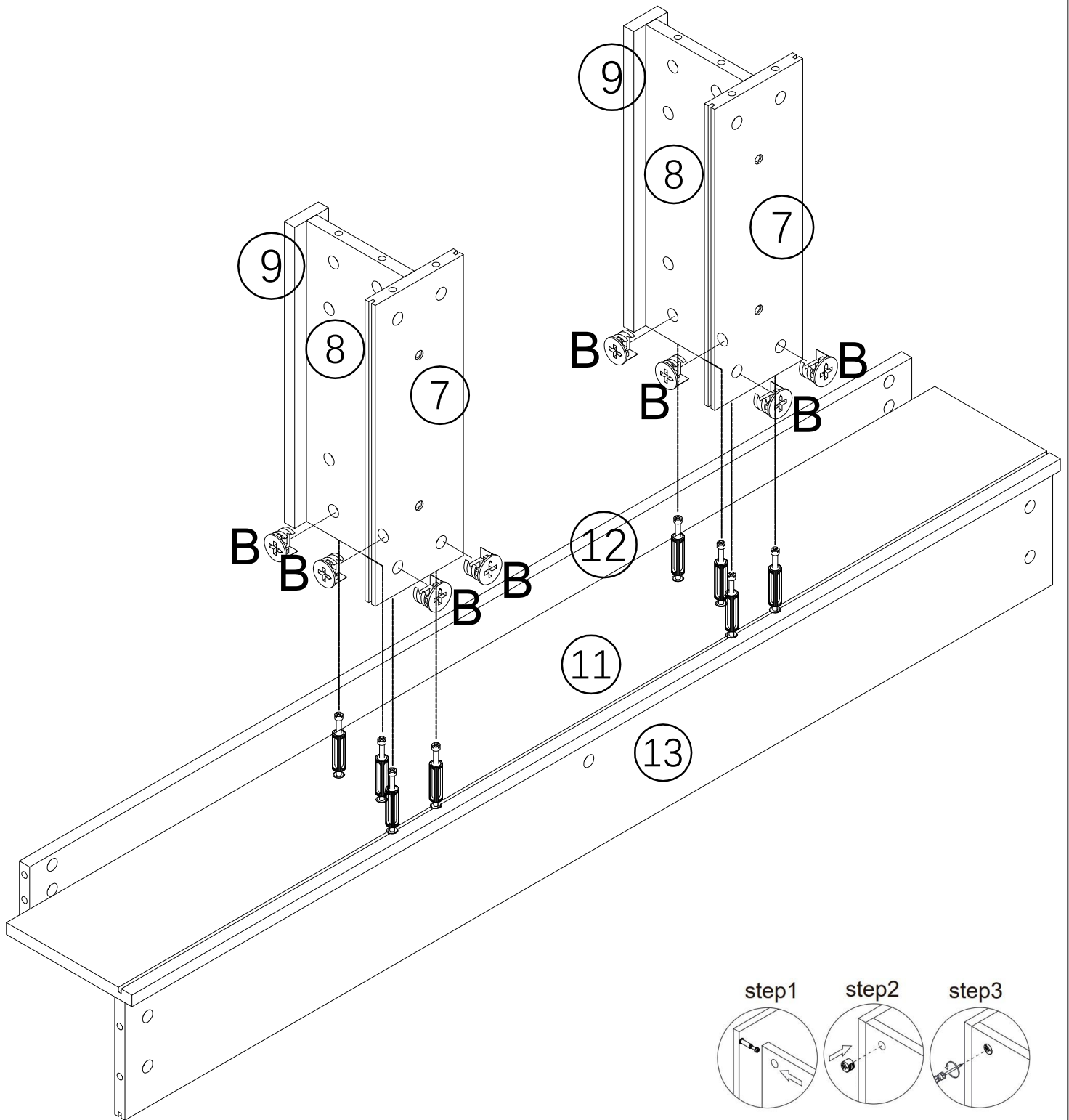
(A)



Cam Bolt x 8

Assembly Instructions

Step 7



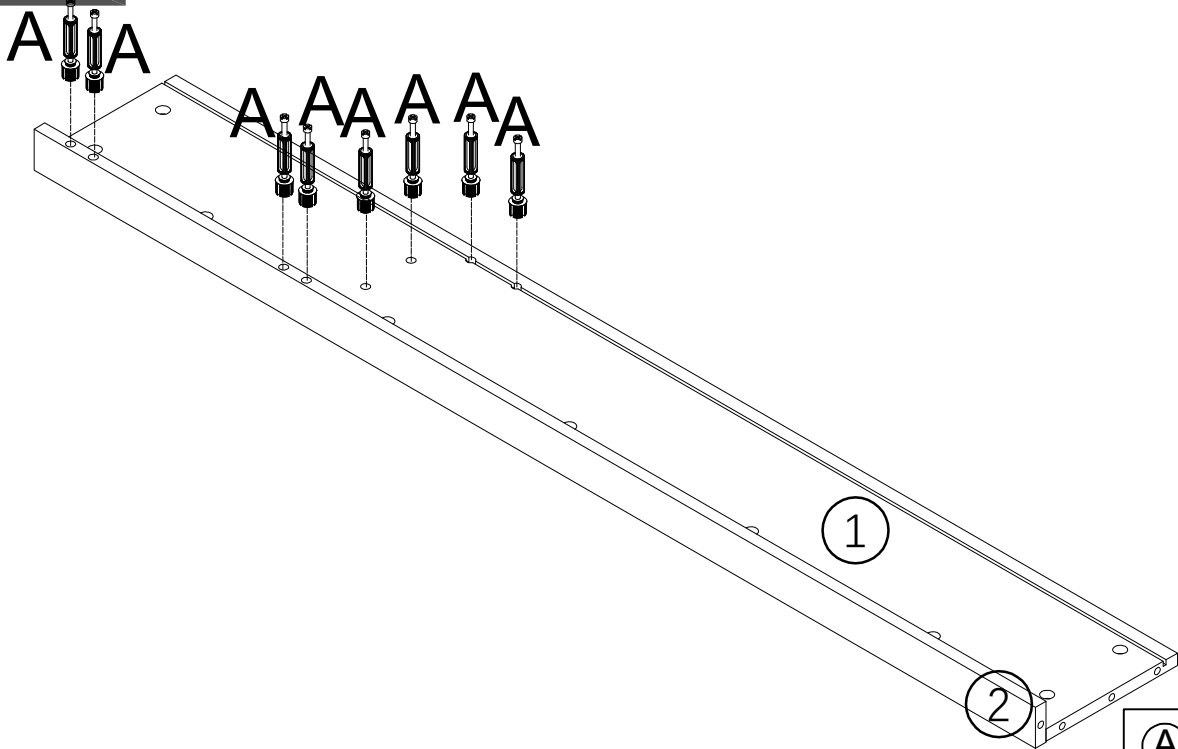
(B)



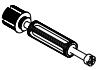
Cam lock x 8

Assembly Instructions

Step 8

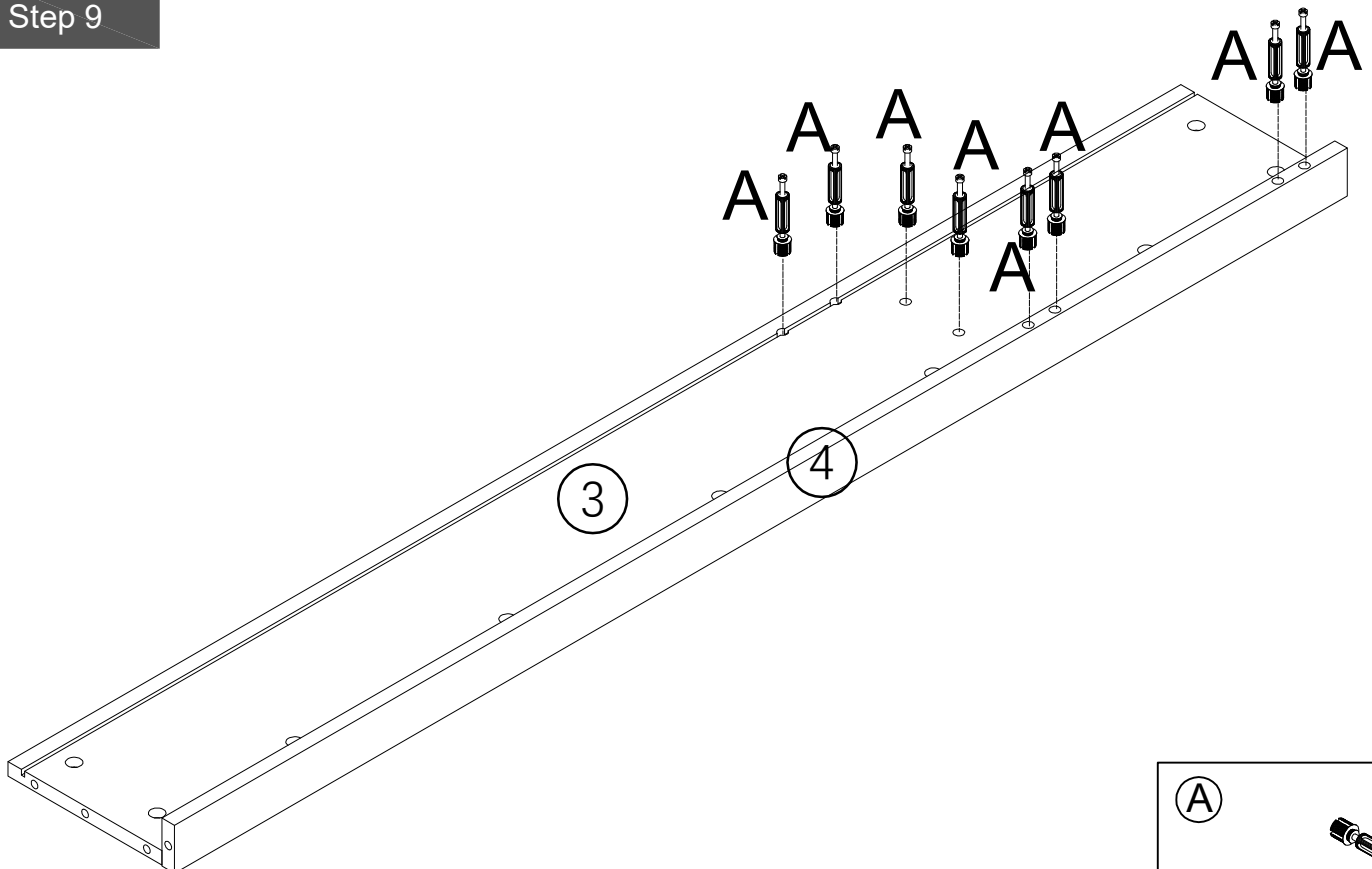


A



Cam Bolt x 8

Step 9



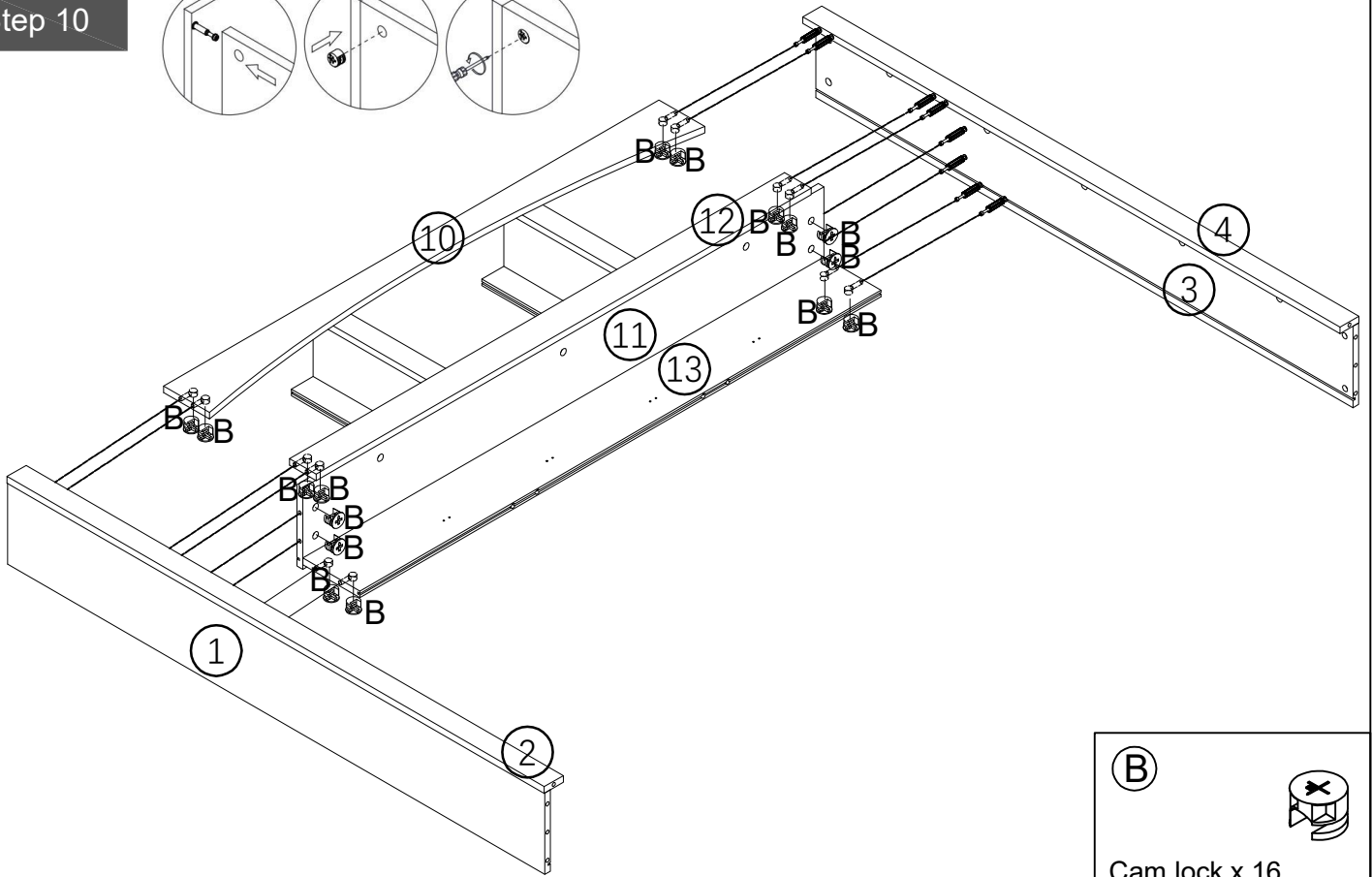
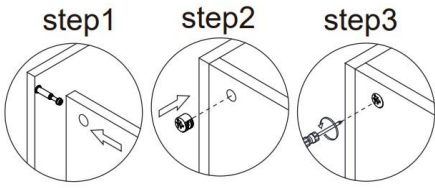
A



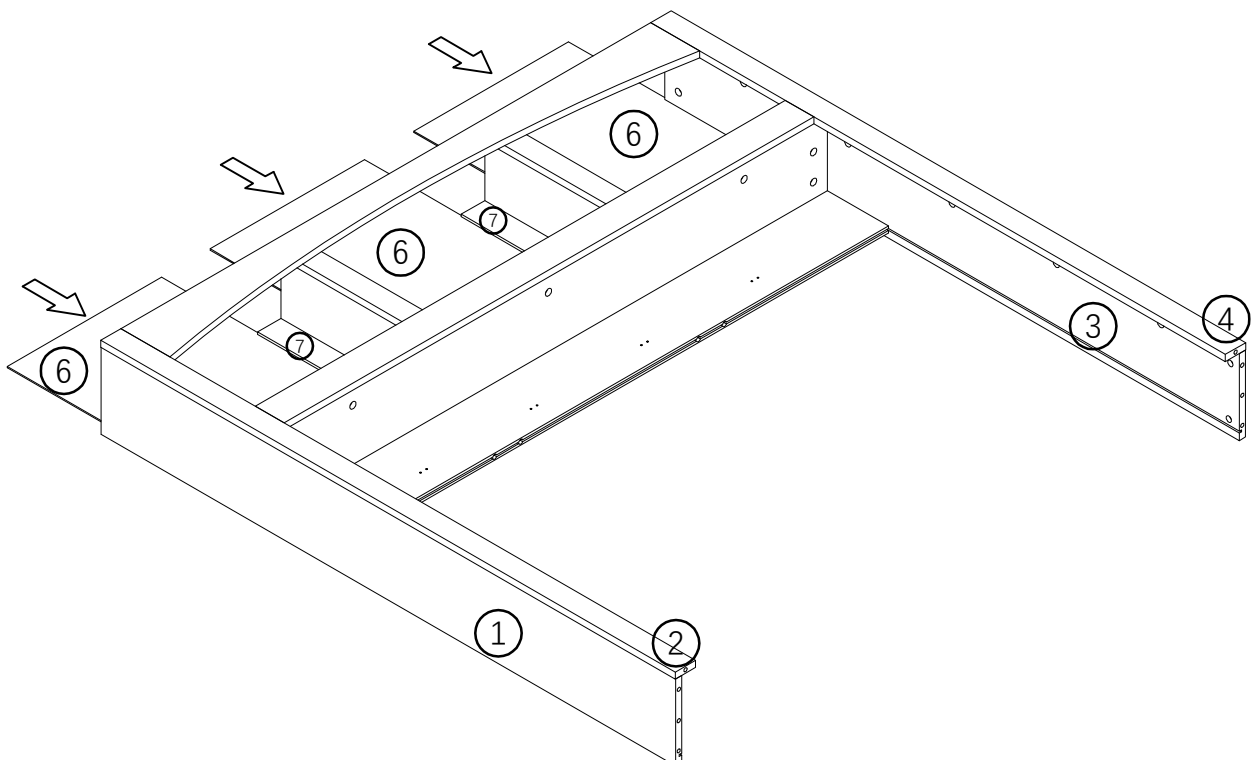
Cam Bolt x 8

Assembly Instructions

Step 10

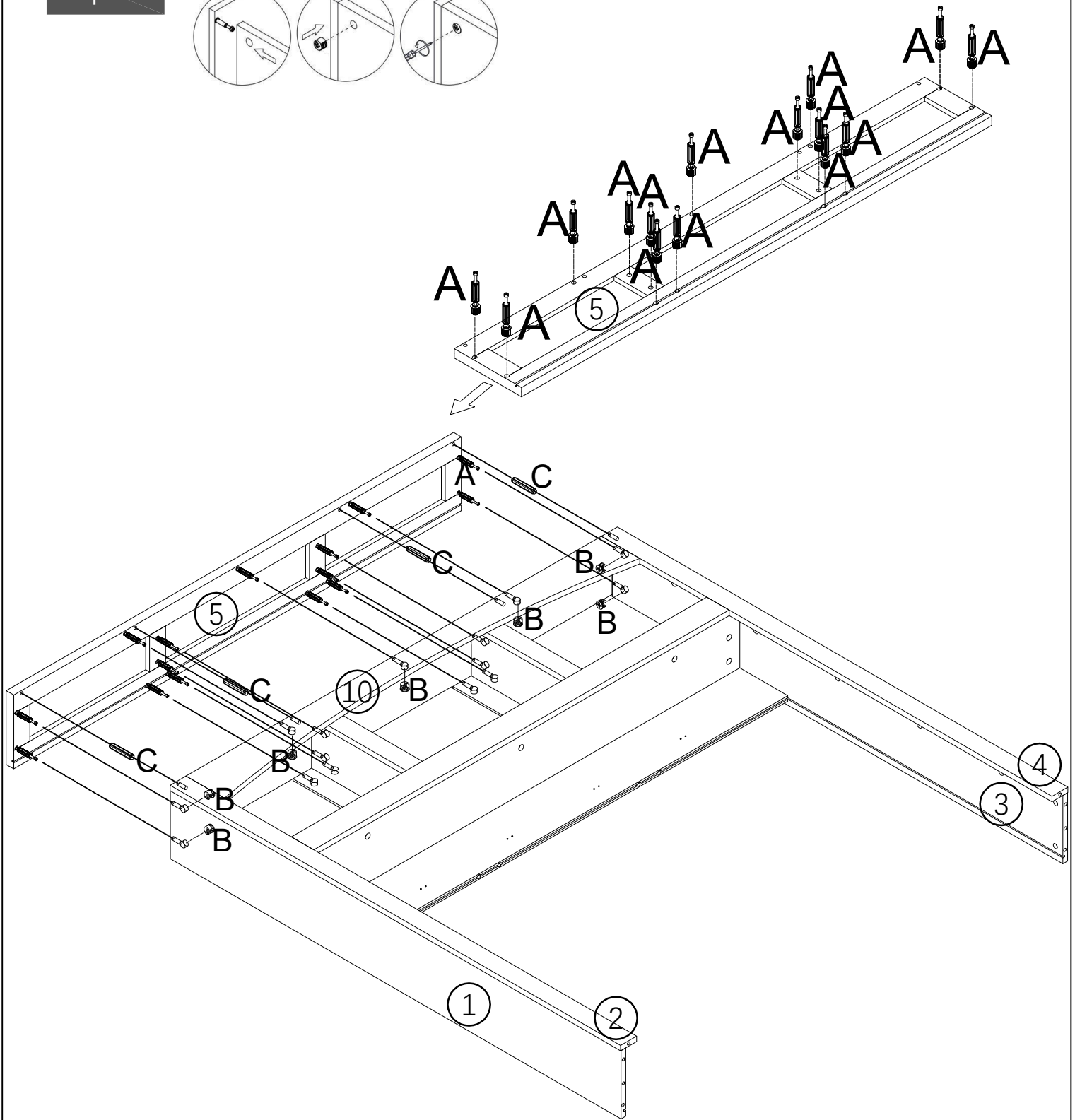
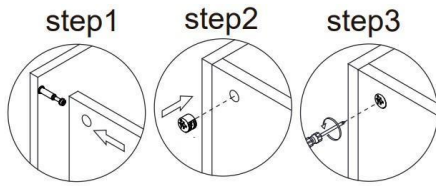


Step 11



Assembly Instructions

Step 12



(A)



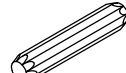
Cam Bolt x 15

(B)



Cam lock x 7

(C)

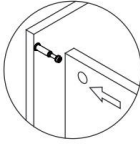


Dowel x 4

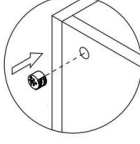
Assembly Instructions

Step 13

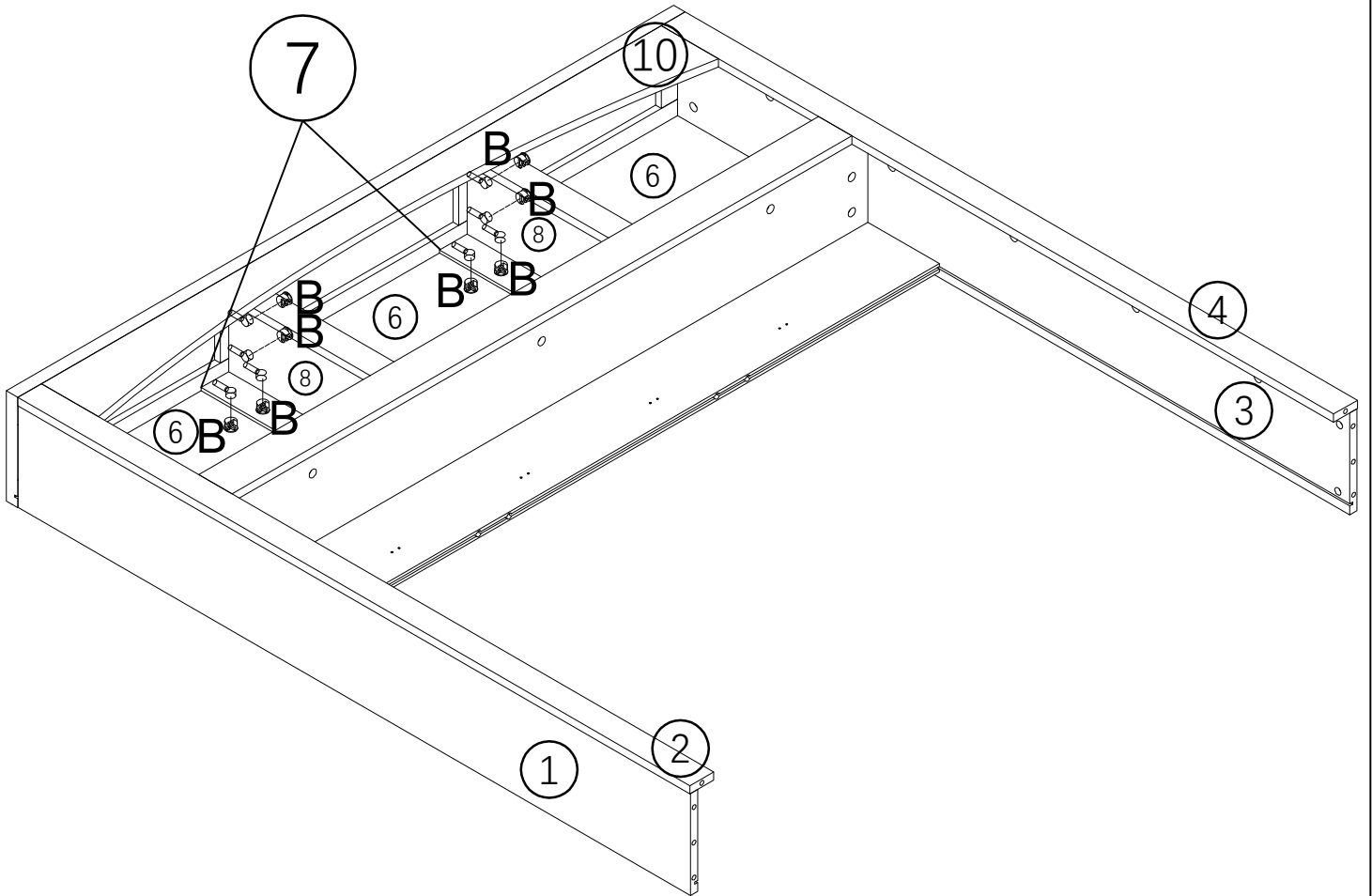
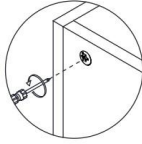
step1



step2



step3



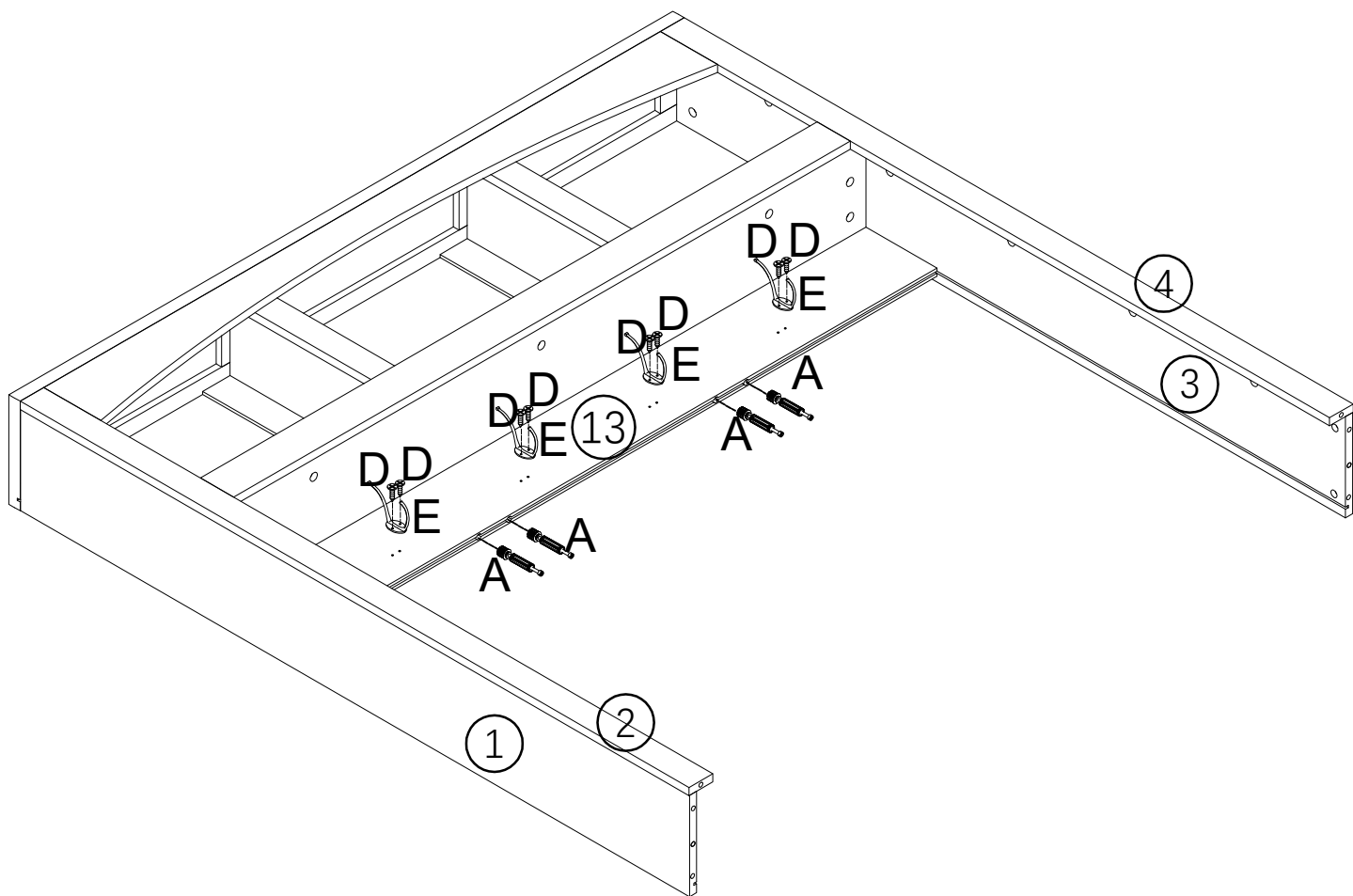
(B)



Cam lock x 8

Assembly Instructions

Step 14



(A)



Cam Bolt x 4

(D)



3.5*14mm Screw x 8

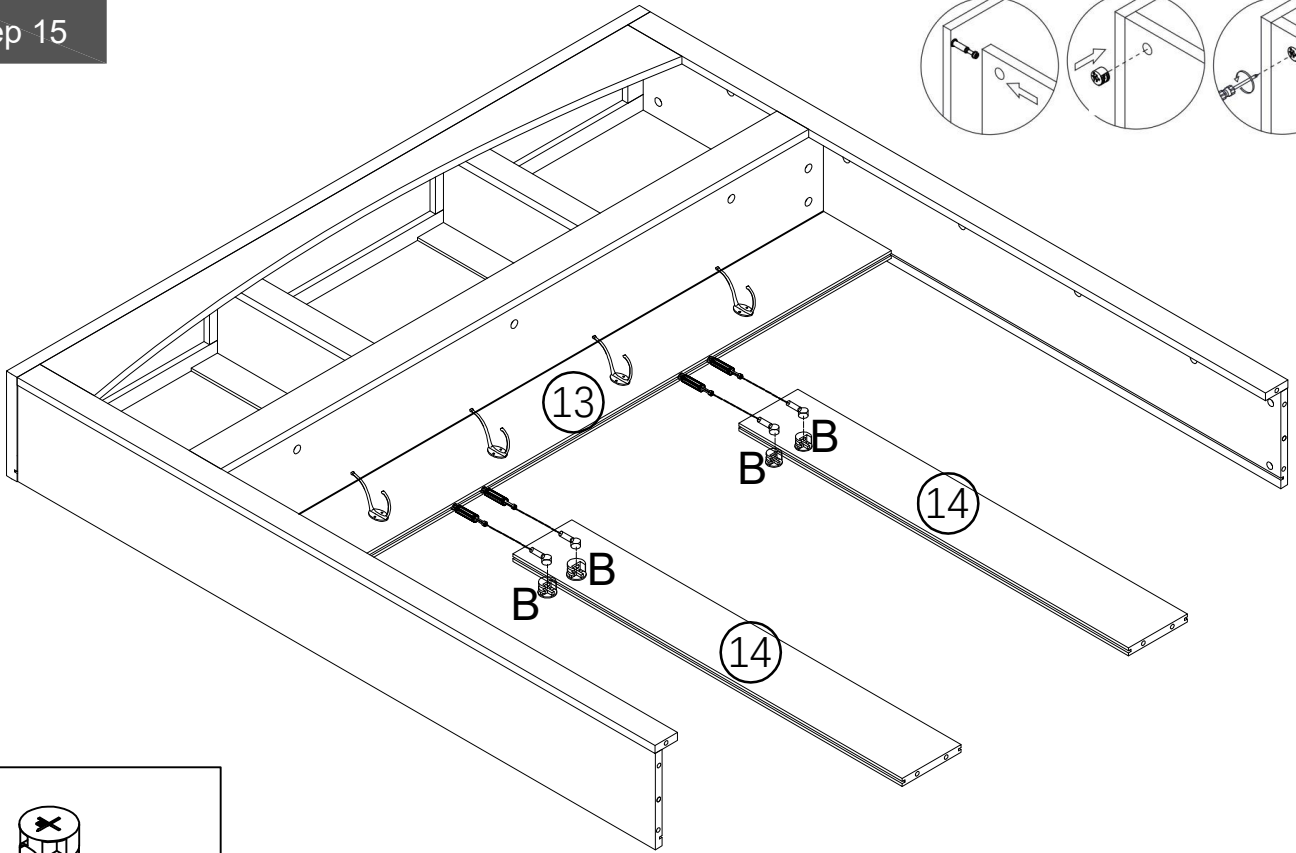
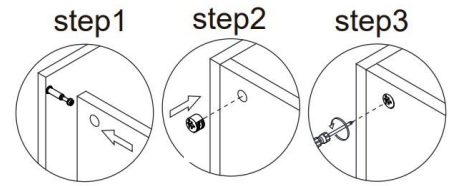
(E)



Clothes hook x 4

Assembly Instructions

Step 15

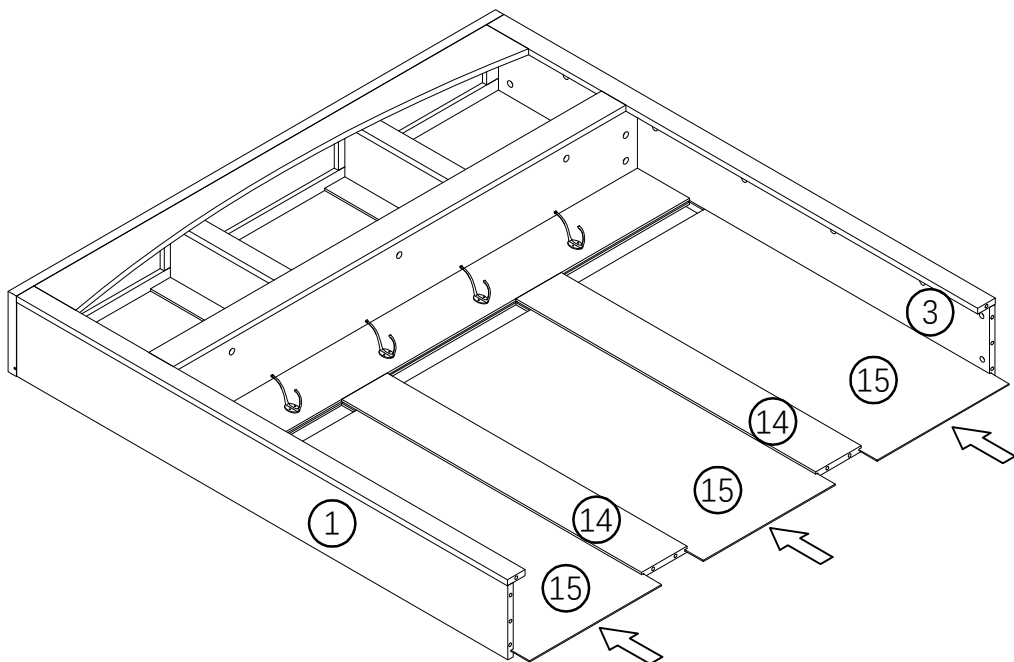


(B)



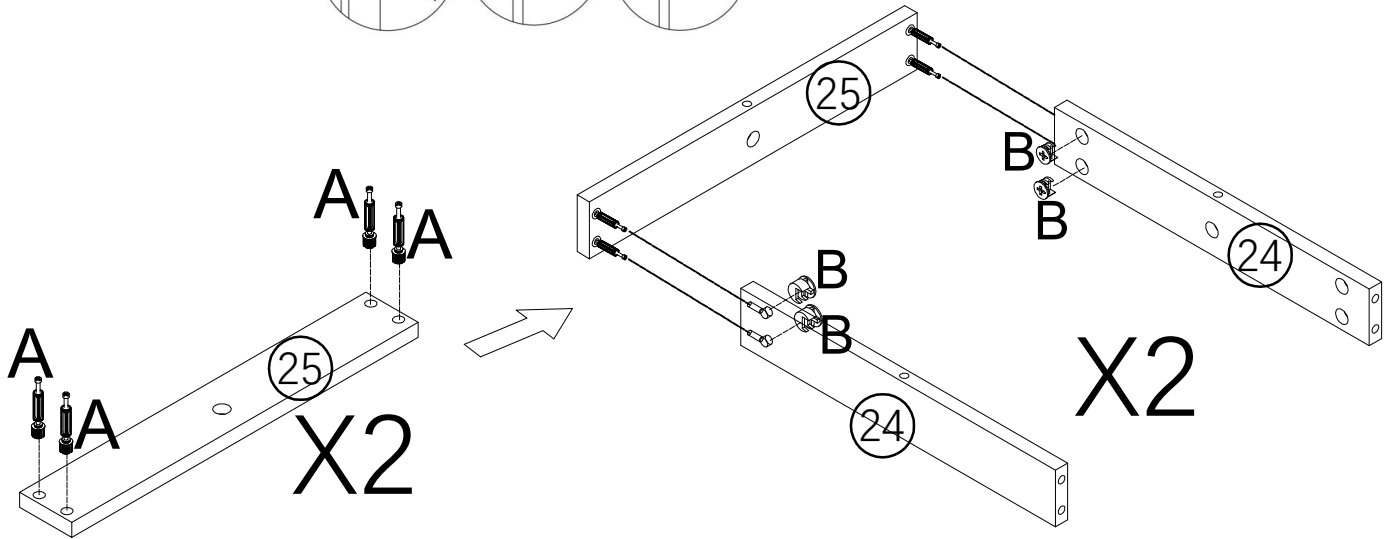
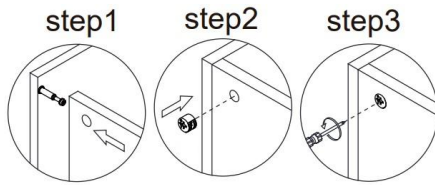
Cam lock x 4

Step 16

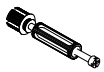


Assembly Instructions

Step 17



(A)



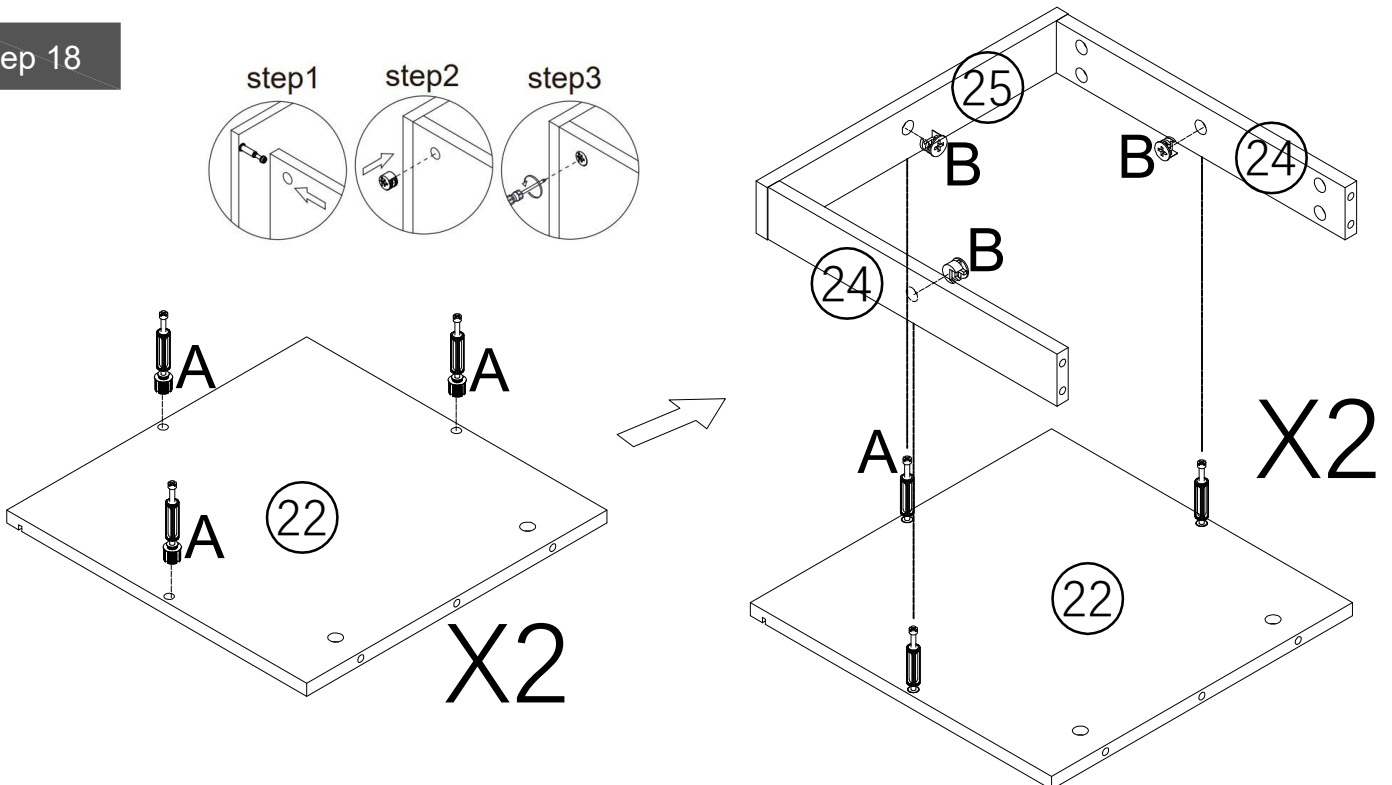
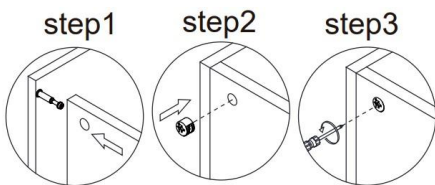
Cam Bolt x 8

(B)

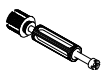


Cam lock x 8

Step 18



(A)



Cam Bolt x 6

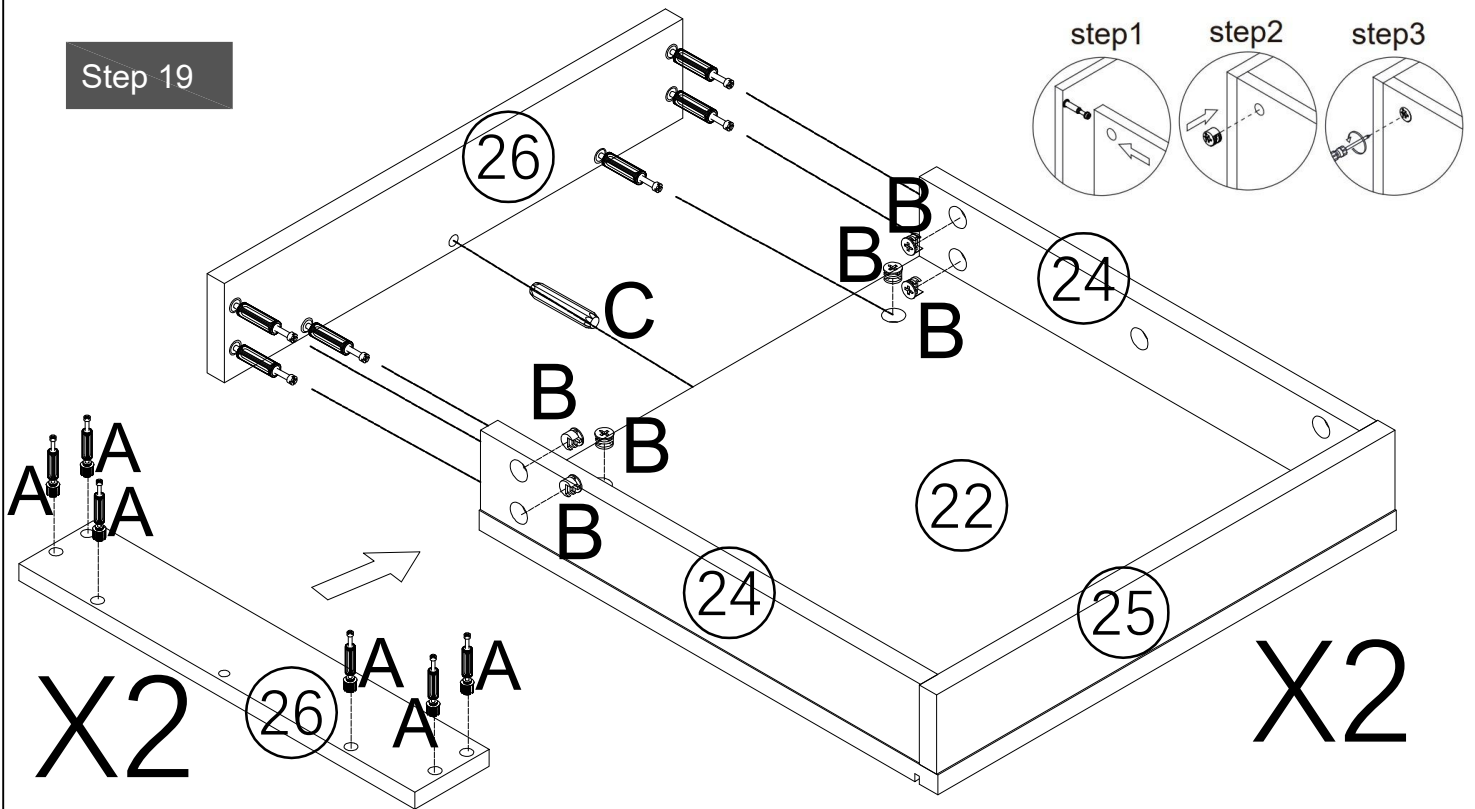
(B)



Cam lock x 6

Assembly Instructions

Step 19



(A)



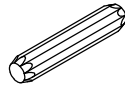
Cam Bolt x 12

(B)



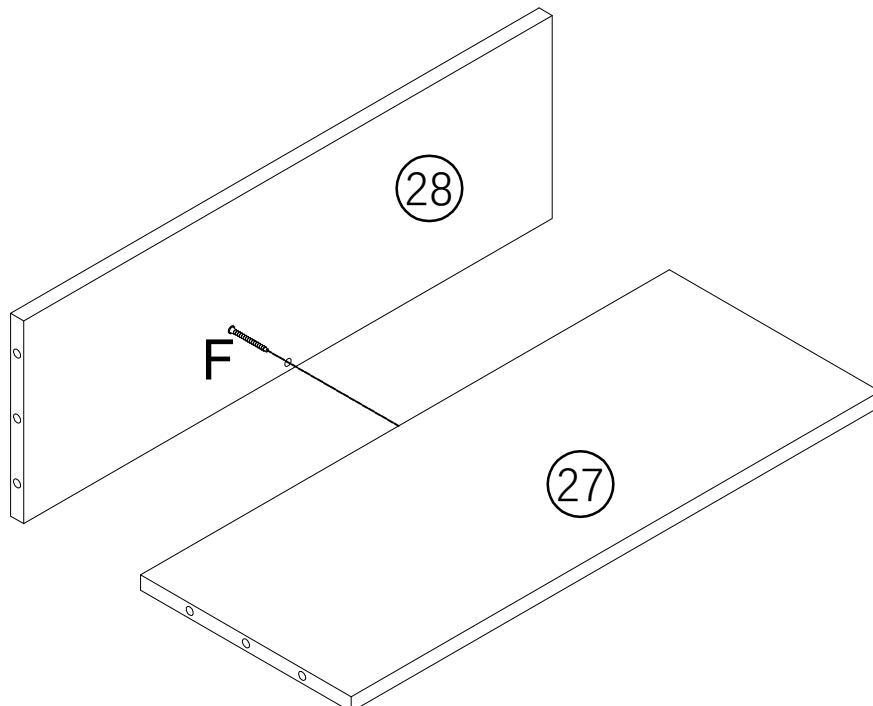
Cam lock x 12

(C)



Dowel x 2

Step 20



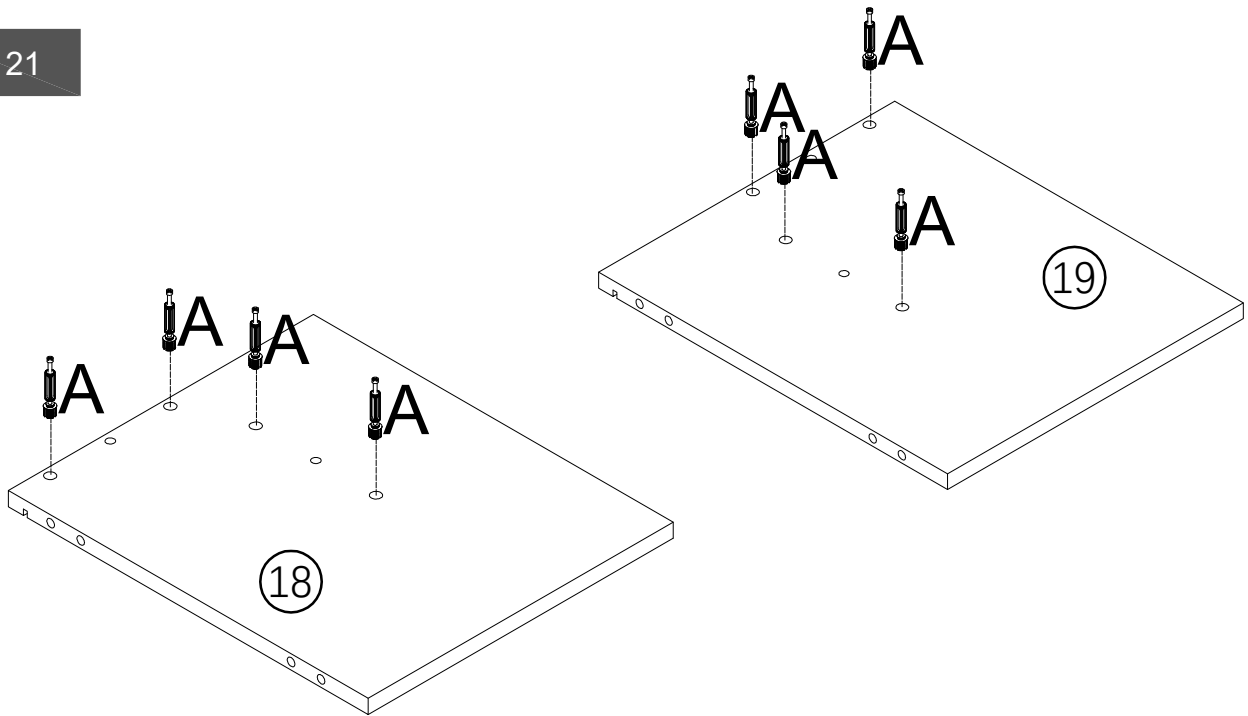
(F)



7*50mm Screw x 1

Assembly Instructions

Step 21

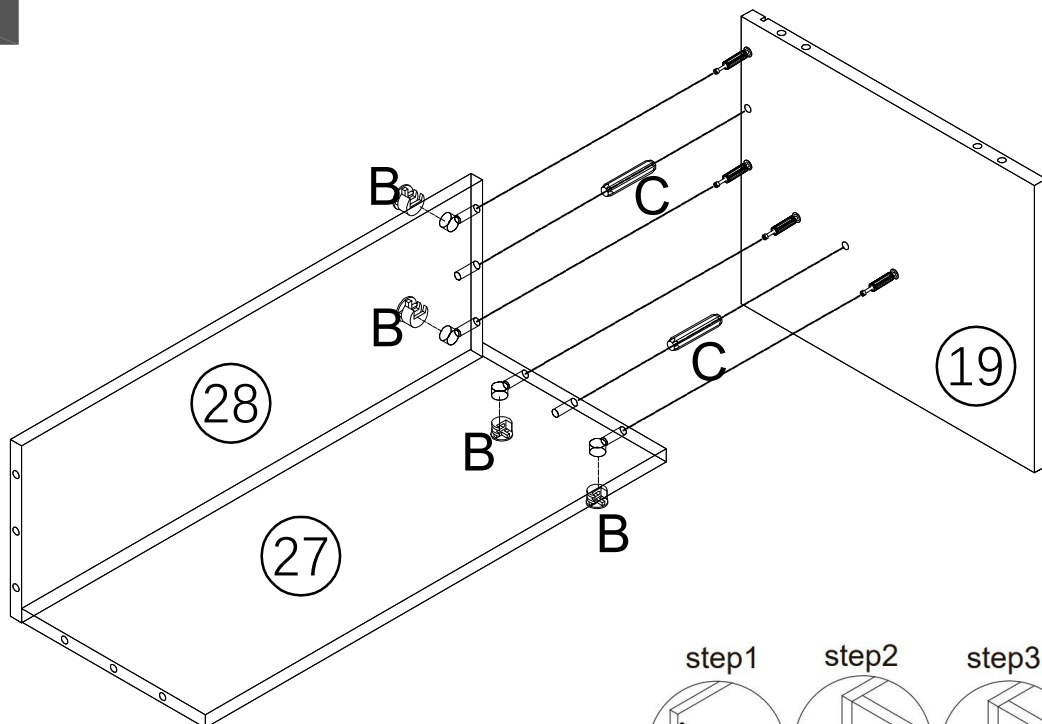


(A)



Cam Bolt x 8

Step 22

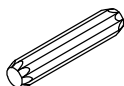


(B)

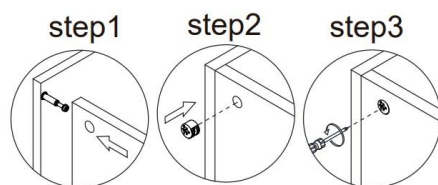


Cam lock x 4

(C)

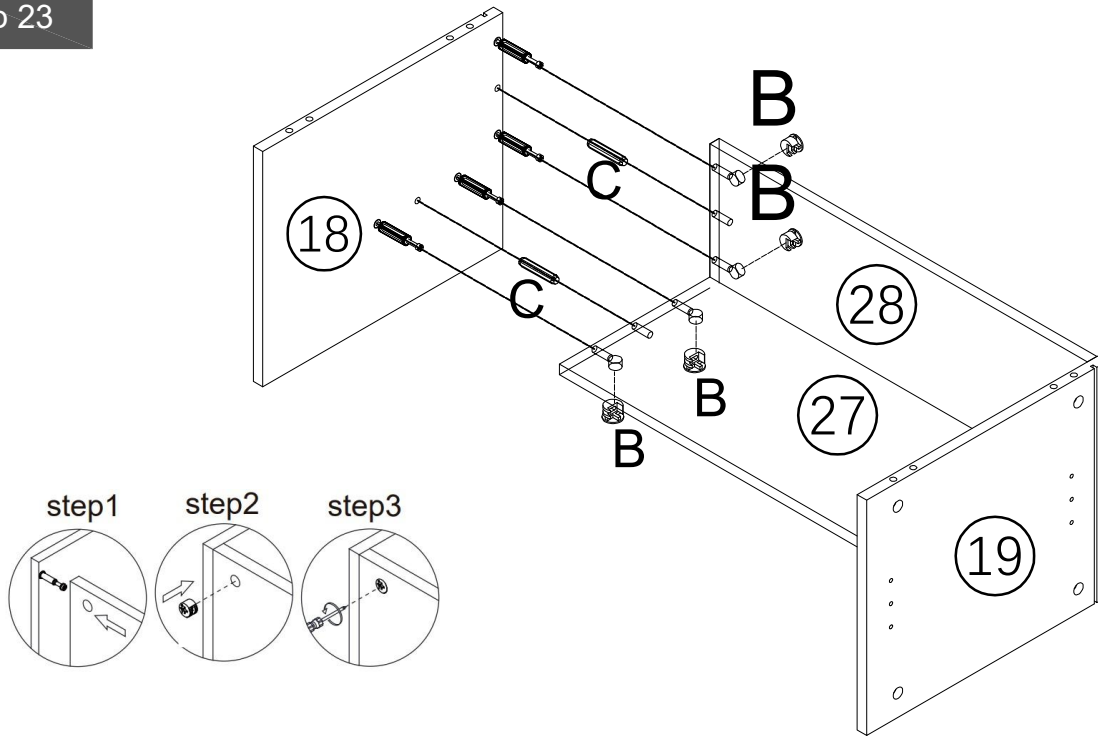


Dowel x 2



Assembly Instructions

Step 23

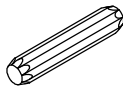


(B)



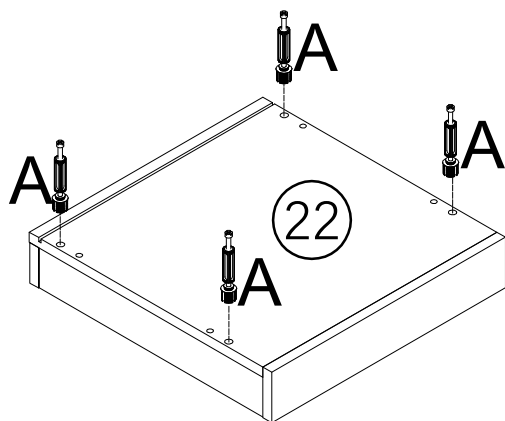
Cam lock x 4

(C)

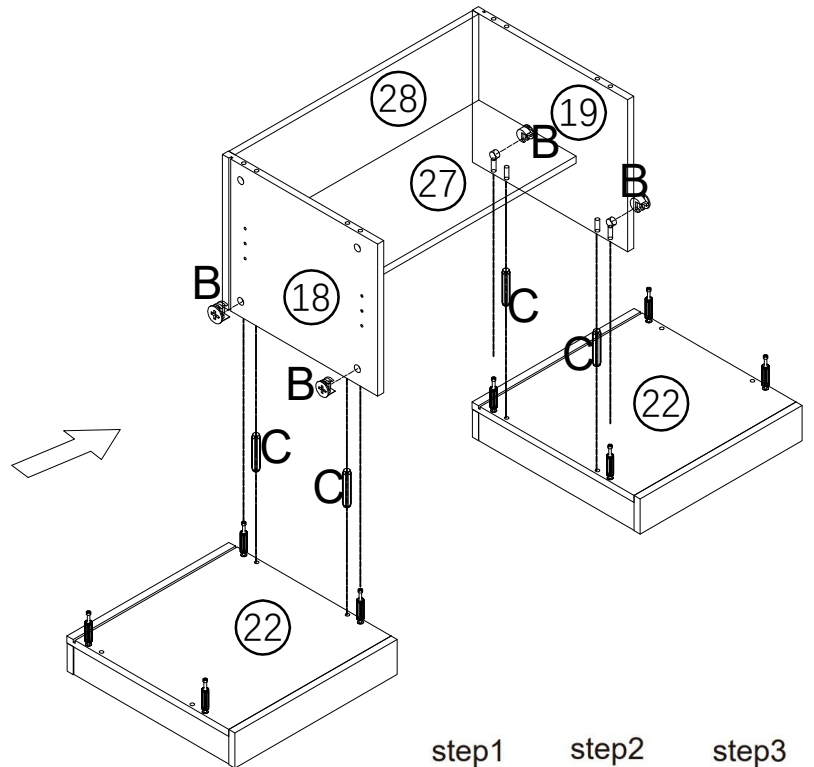


Dowel x 2

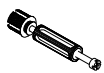
Step 24



X2



(A)



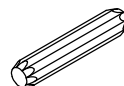
Cam Bolt x 8

(B)

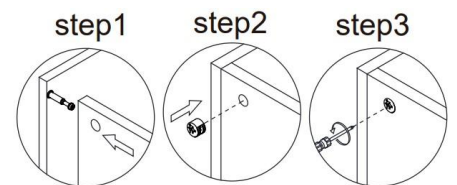


Cam lock x 4

(C)

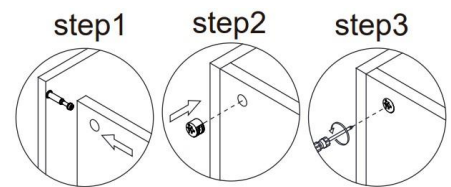
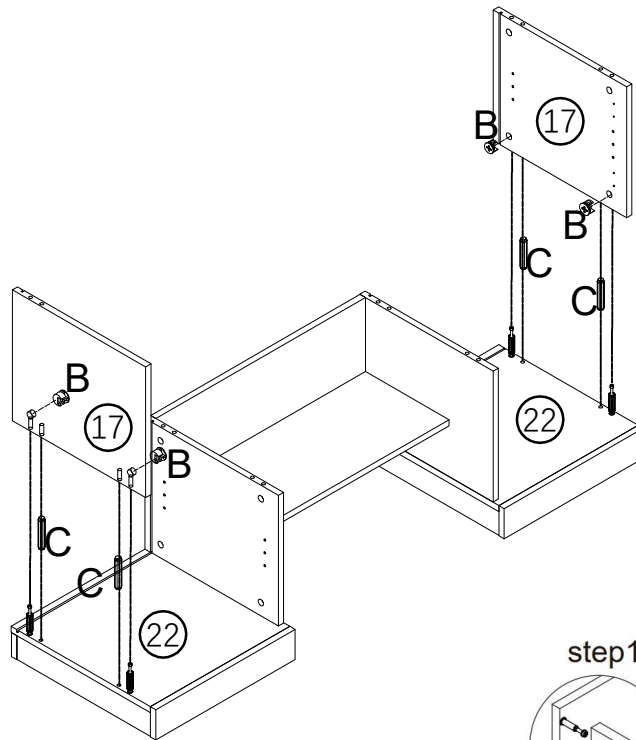


Dowel x 4



Assembly Instructions

Step 25

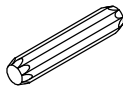


(B)



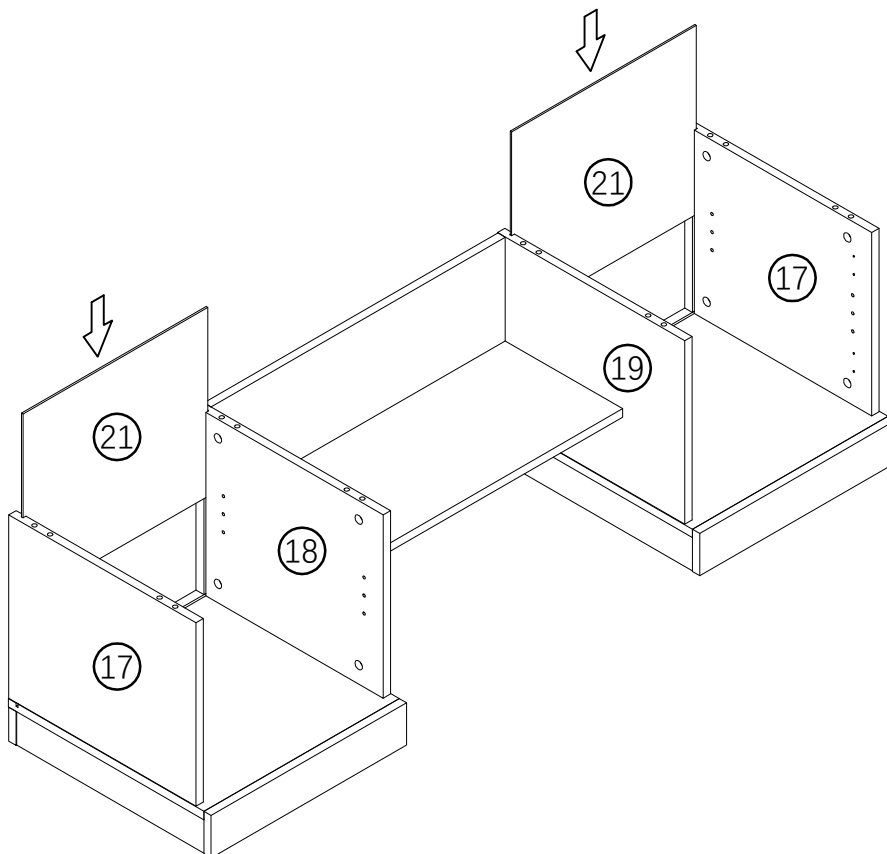
Cam lock x 4

(C)



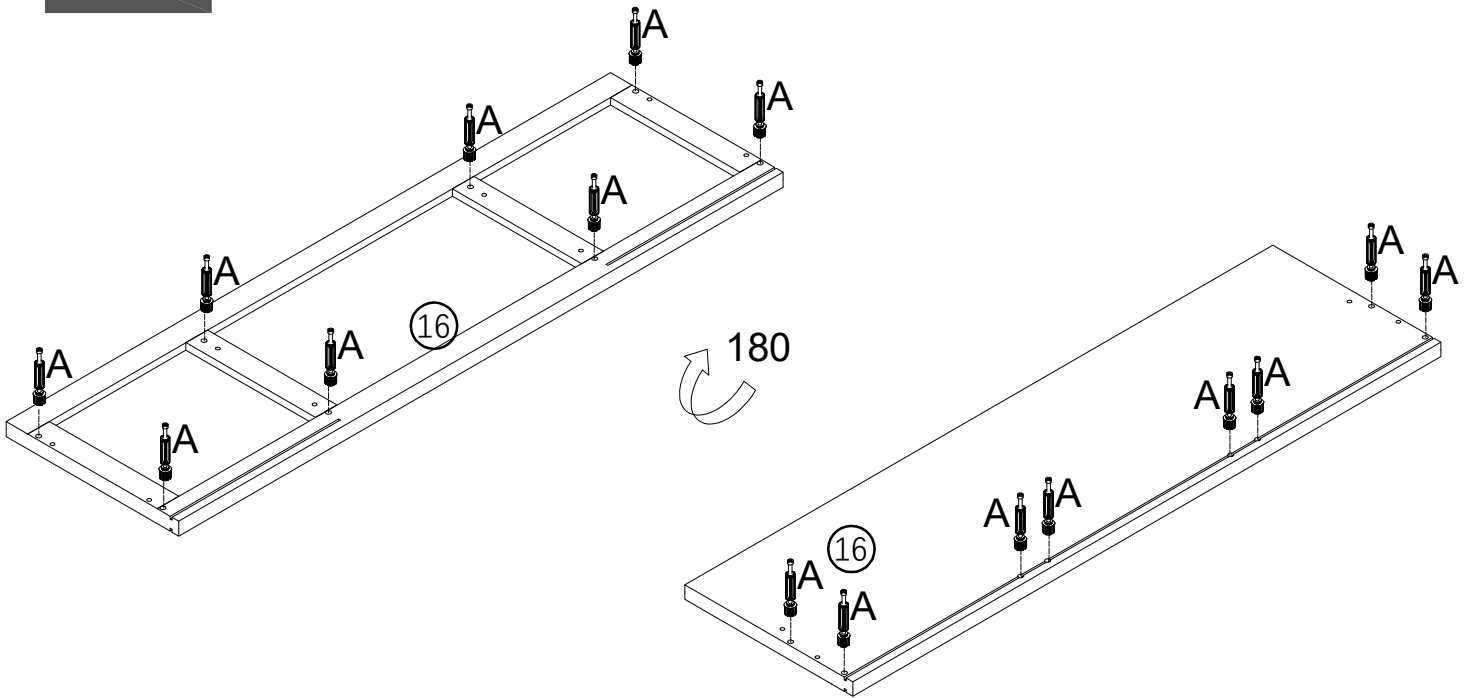
Dowel x 4

Step 26

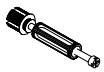


Assembly Instructions

Step 27

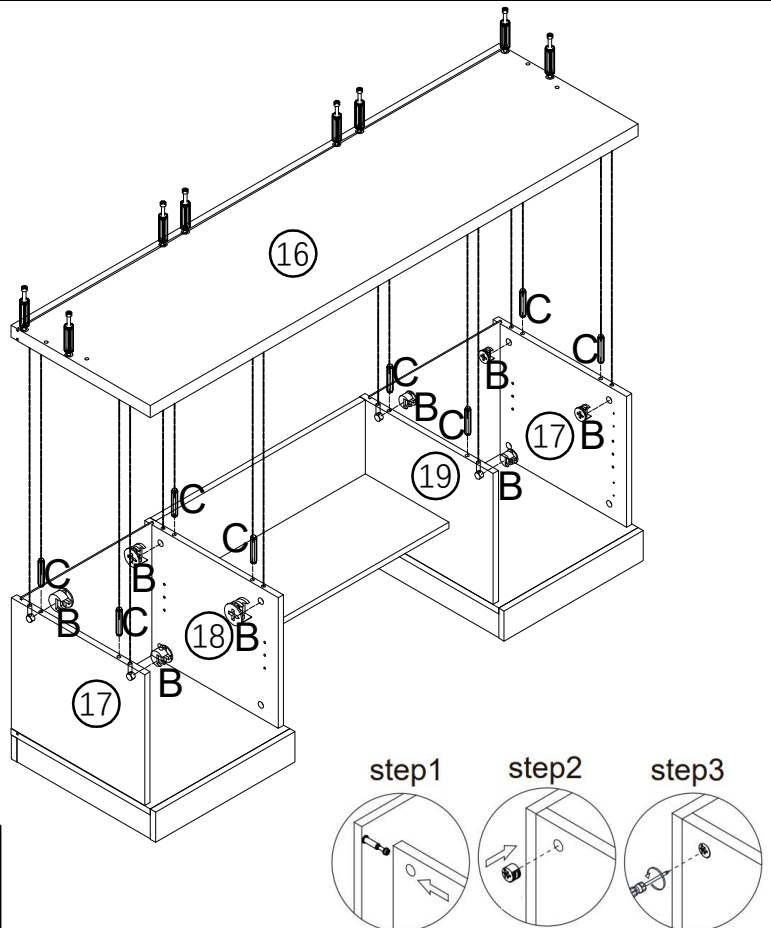


(A)



Cam Bolt x 16

Step 28

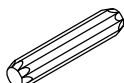


(B)



Cam lock x 8

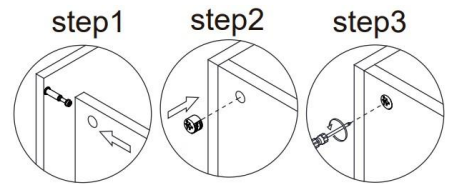
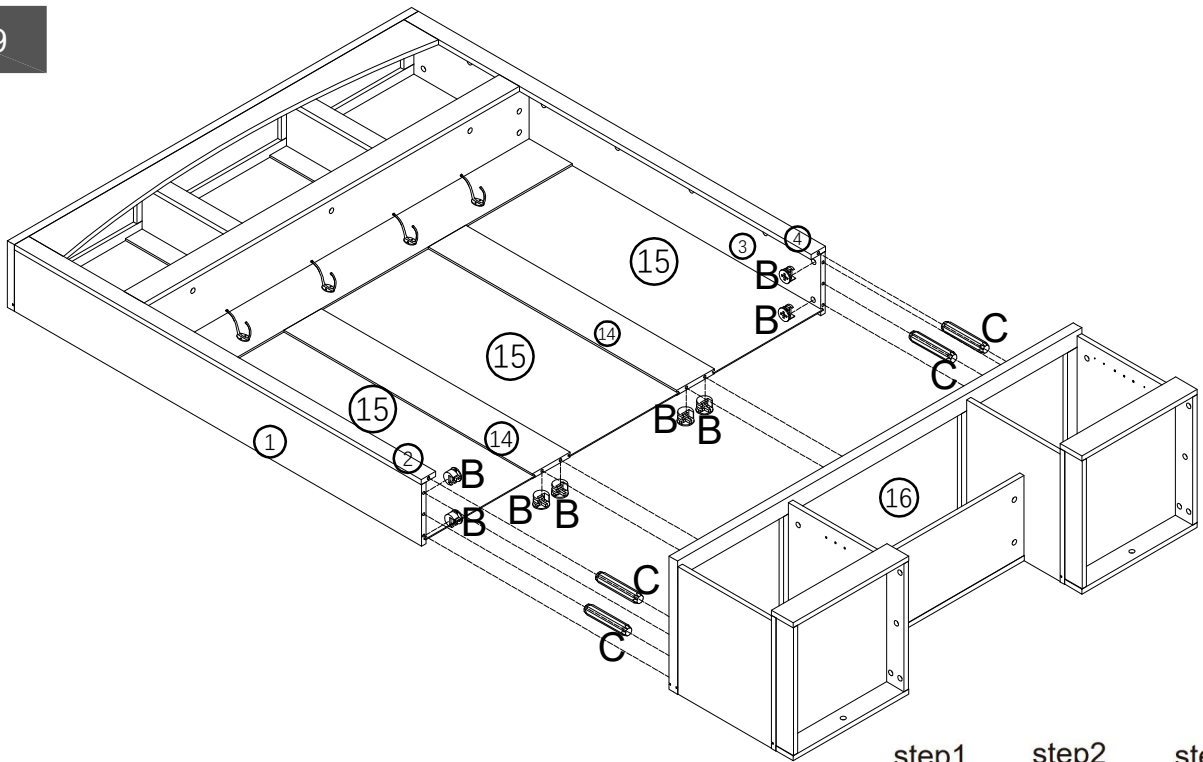
(C)



Dowel x 8

Assembly Instructions

Step 29

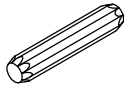


B



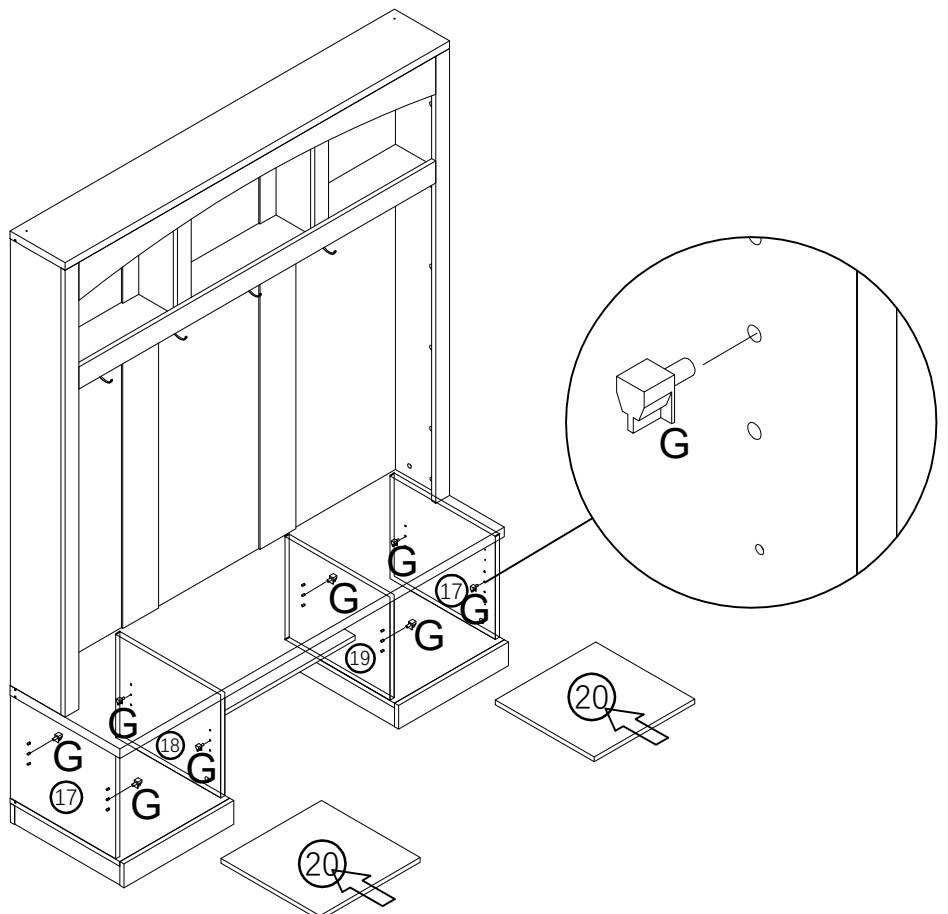
Cam lock x 8

C



Dowel x 4

Step 30



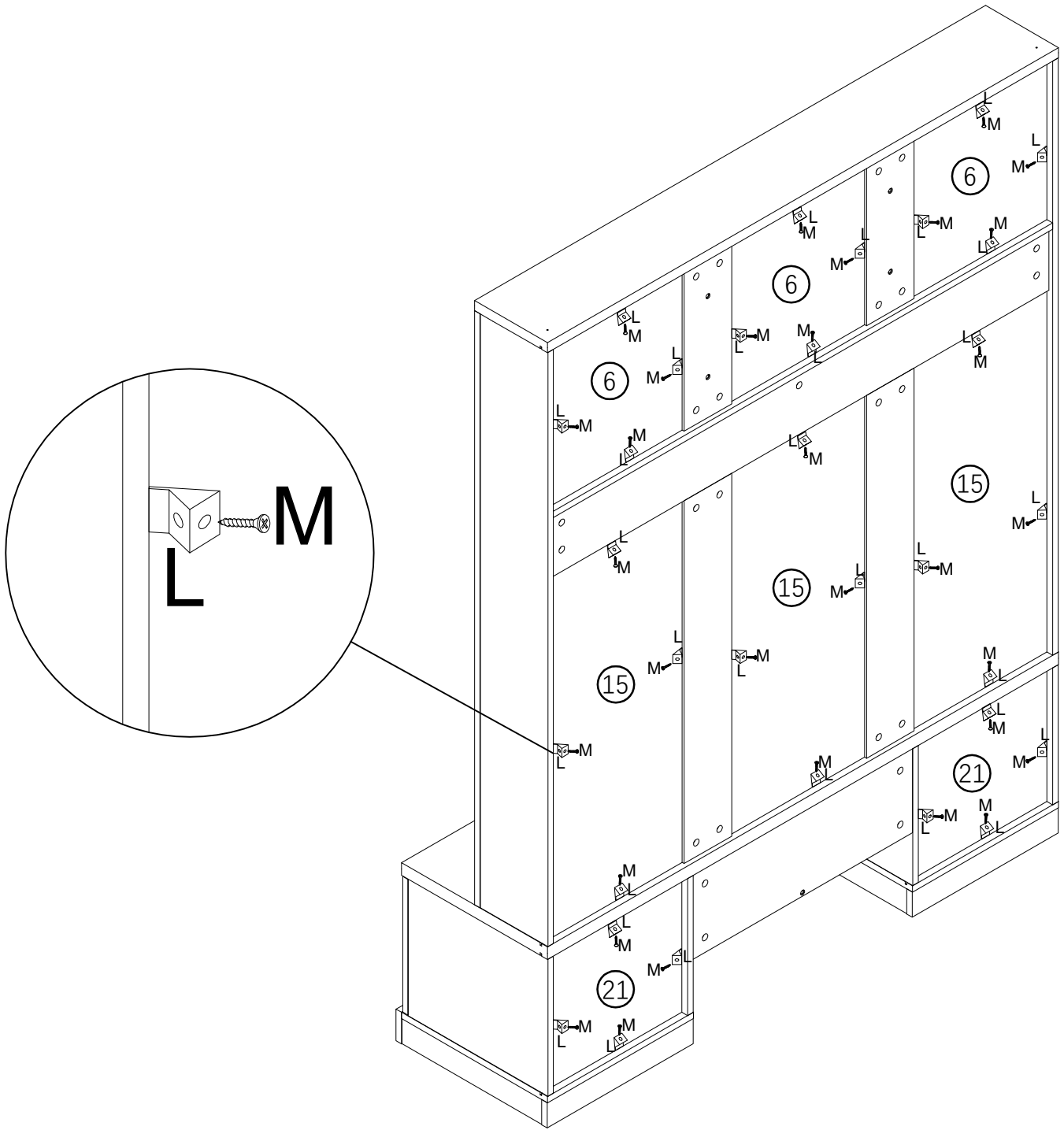
G



Movable partition bracket x 8

Assembly Instructions

Step 32



(L)



Plastic buckle x 32

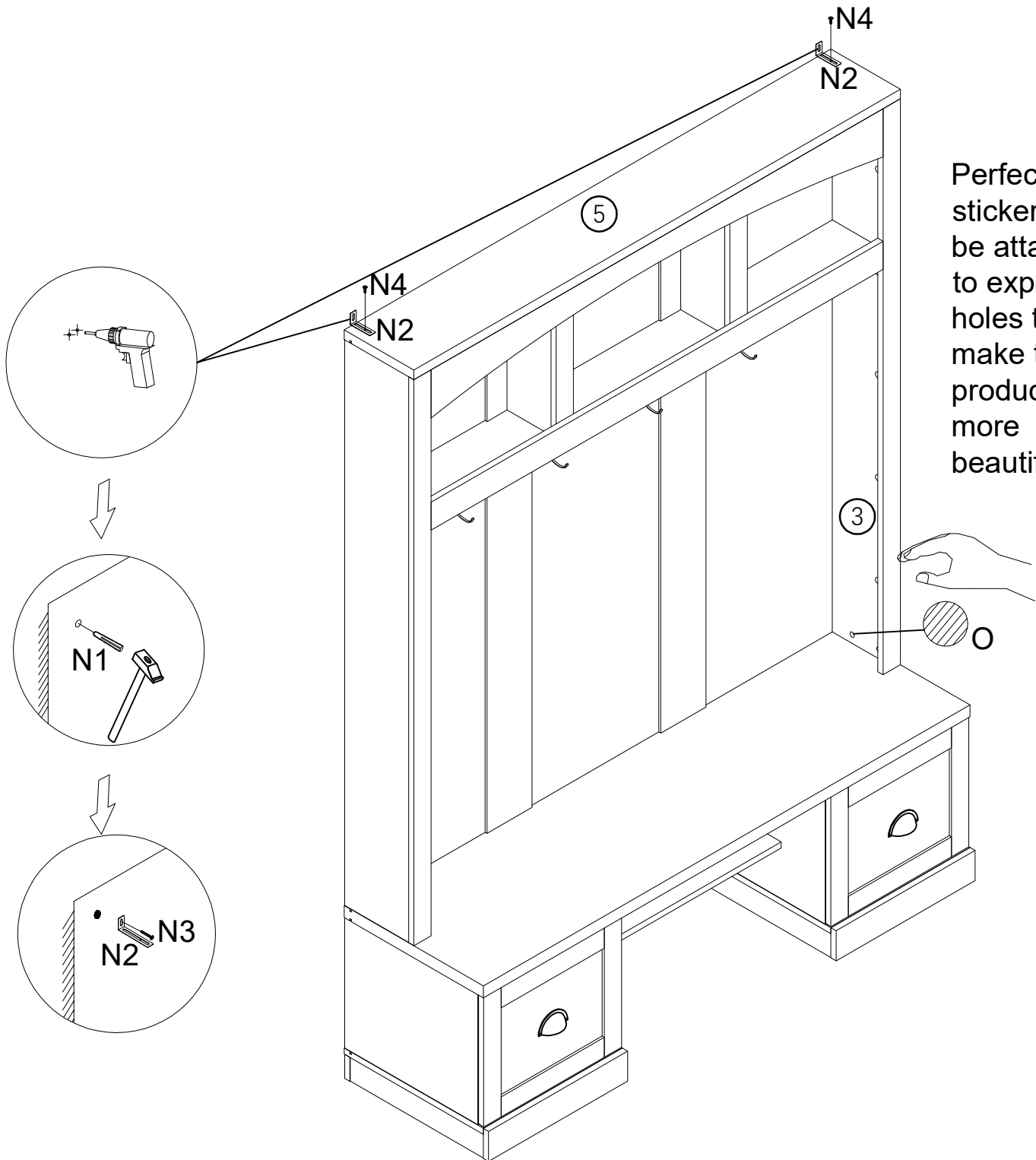
(M)



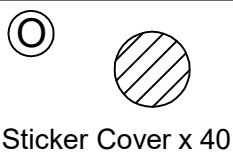
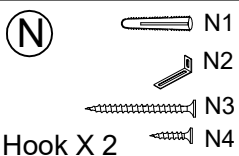
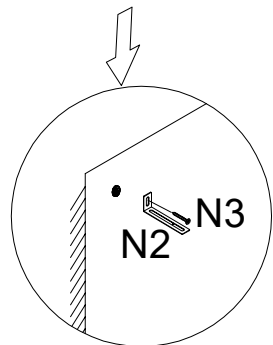
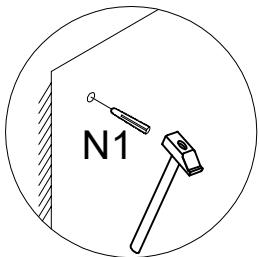
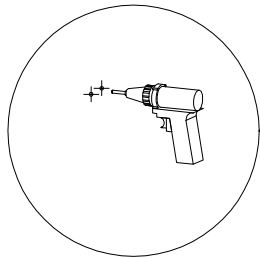
3*12mm Screw x 32

Assembly Instructions

Step 33



Perfect stickers can be attached to exposed holes to make the product more beautiful.



Assembly Instructions

Step 34

