

NOTICE

*Please make sure that you have all part indicated and they are in good condition before you begin assembly of this item. Refer to part list and hardware list below for guidance.

*This item should be assembled on a soft surface to prevent scratching the finish during assembly.

*This item may require periodic tightening.

*If you are having difficulty, our friendly Customer Care team is always here to help.

PREPARATION

*Before beginning assembly of product, make sure all part are present. Compare part with part contents list and hardware contents list.

*If any part is missing or damaged, do not attempt to assemble the product.

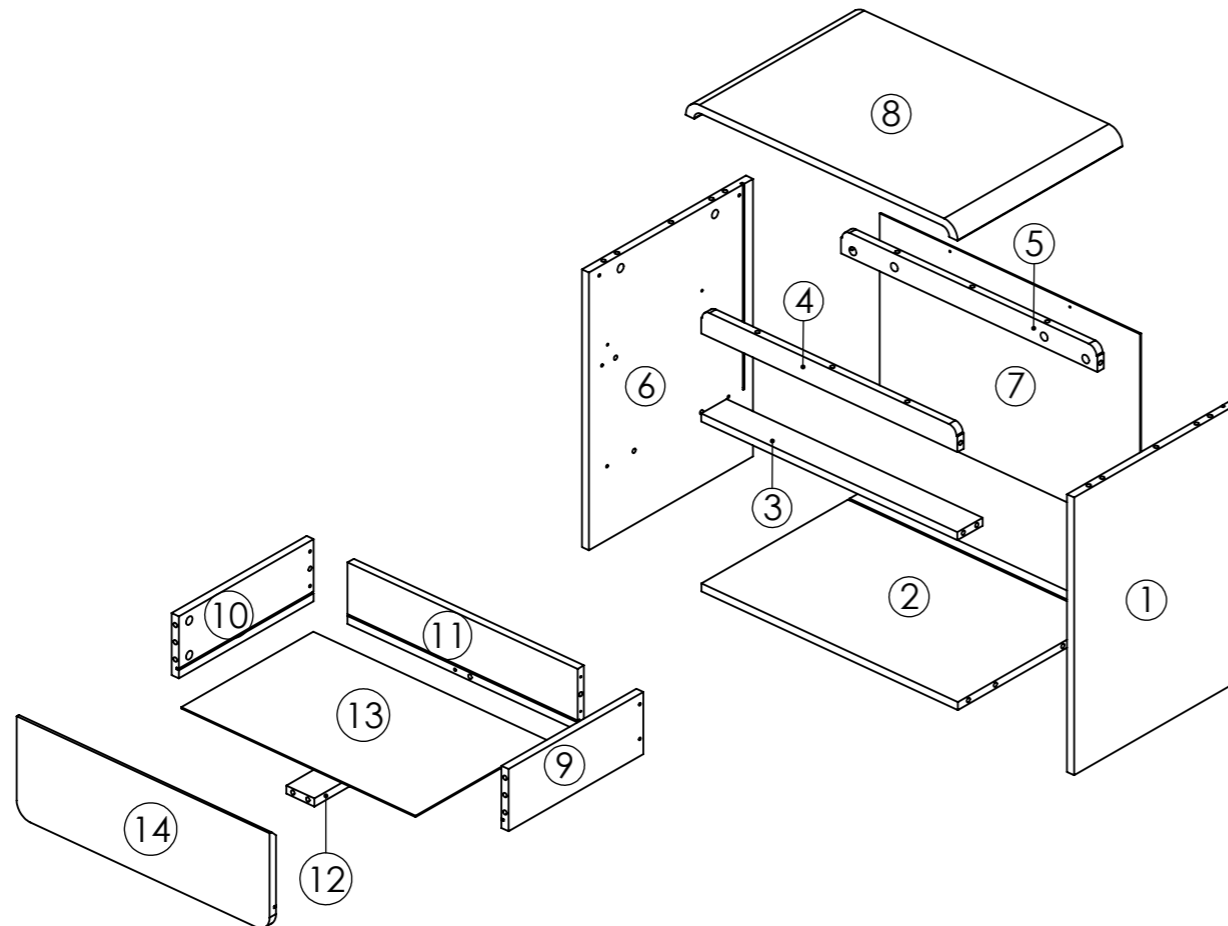
*Estimated Assembly Time: 45 minutes.

*Tools Required for Assembly (not included): Screwdriver

CARE AND MAINTENANCE

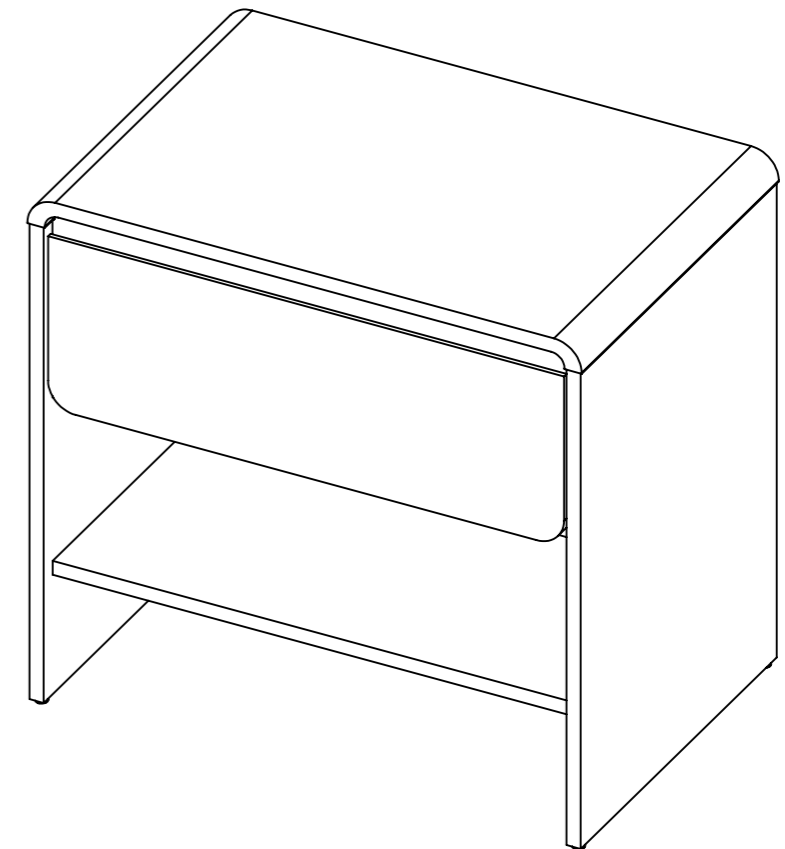
Always use felt pads under all articles to prevent discoloration or softening of the lacquer. Plastic and rubber bases on items can discolor wood. Wipe up spills immediately and avoid common hazards such as hot dishes, harsh solvents and abrasives. Cleaning should be done with a soft lint free cotton cloth dampened with water or furniture polish. On highly used surfaces we recommend applying a quality paste wax which should be used on a regular basis to provide additional protection from scratches and spills. How often you apply the wax depends on how much wear the furniture receives.

Part List



Owner Manual

Product Dimensions: W 22.83" x D 15.47" x H 21.61"



WARNING :

WEIGHT CAPACITY :

DRAWER LOAD CAPACITY:

Top :22 Lbs

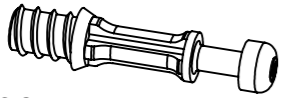
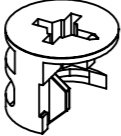
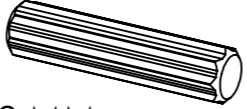



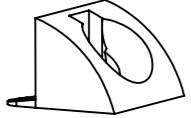
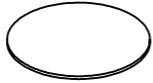

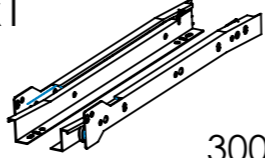
Drawer : 10 Lbs

Shelf : 15 Lbs

Warning : Do not stand on the product

Warning : Do not over torque bolts

Hardware List

<p>Ax23</p>  <p>Ø6x32 MM</p>	<p>Bx23</p>  <p>Ø15x12 MM</p>	<p>Cx20</p>  <p>Ø8x32 MM</p>	<p>Ex5</p>  <p>Ø7x32 MM</p>	<p>Gx6</p>  <p>Ø6x12 MM</p>	<p>Hx6</p>  <p>Ø4x19 MM</p>
<p>Ox6</p> 	<p>Sx12</p> <p>S (OAK) S1 (WALNUT) S2 (BLACK)</p>  <p>Ø20 MM</p>	<p>AYx4</p>  <p>Ø5x8.5 MM</p>	<p>CRx1</p>  <p>300 MM</p>		

Part List & HW

Piece	Description	Qty	Carton Call
1	Right Side Panel	1	1 of 1
2	Bottom Panel	1	1 of 1
3	Front Fixed Shelf	1	1 of 1
4	Front Top Frame	1	1 of 1
5	Back Top Frame	1	1 of 1
6	Left Side Panel	1	1 of 1
7	Back Panel	1	1 of 1
8	Top Panel	1	1 of 1
9	Right Side Drawer	1	1 of 1
10	Left Side Drawer	1	1 of 1
11	Drawer Back	1	1 of 1
12	Drawer Base Support	1	1 of 1
13	Drawer Base	1	1 of 1
14	Front Drawer	1	1 of 1

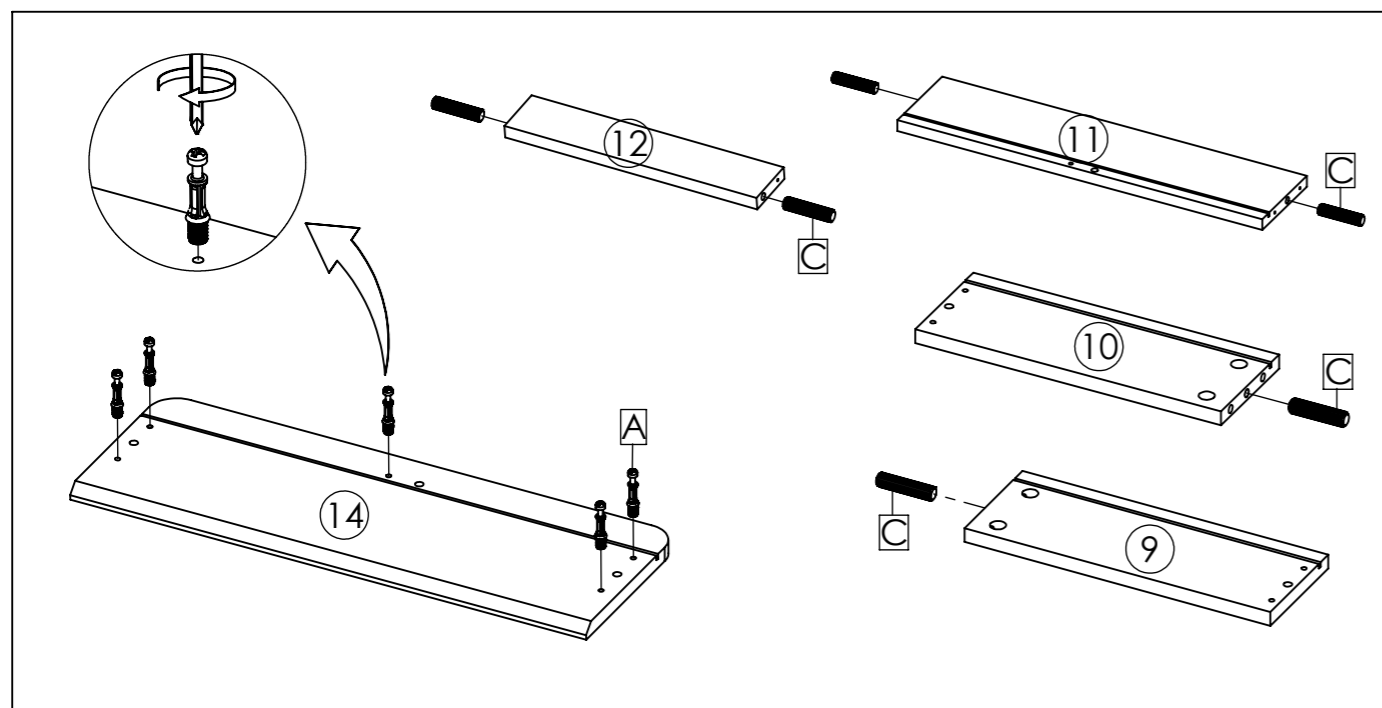
Piece	Description	Qty	Carton Call
A	Cambolt	23	1 of 1
B	Camlock	23	1 of 1
C	Wooden Dowel	20	1 of 1
E	Screw M 7 x 32 mm	5	1 of 1
G	Screw M 6 x 12 mm	6	1 of 1
H	Screw M 4 x 19 mm	6	1 of 1
O	Plastic Stopper	6	1 of 1
S	Cover Cap Sticker	12	1 of 1
AY	Screw M 5 x 8.5 mm	4	1 of 1
CR	Metal Runner	1	1 of 1

PREPARATION

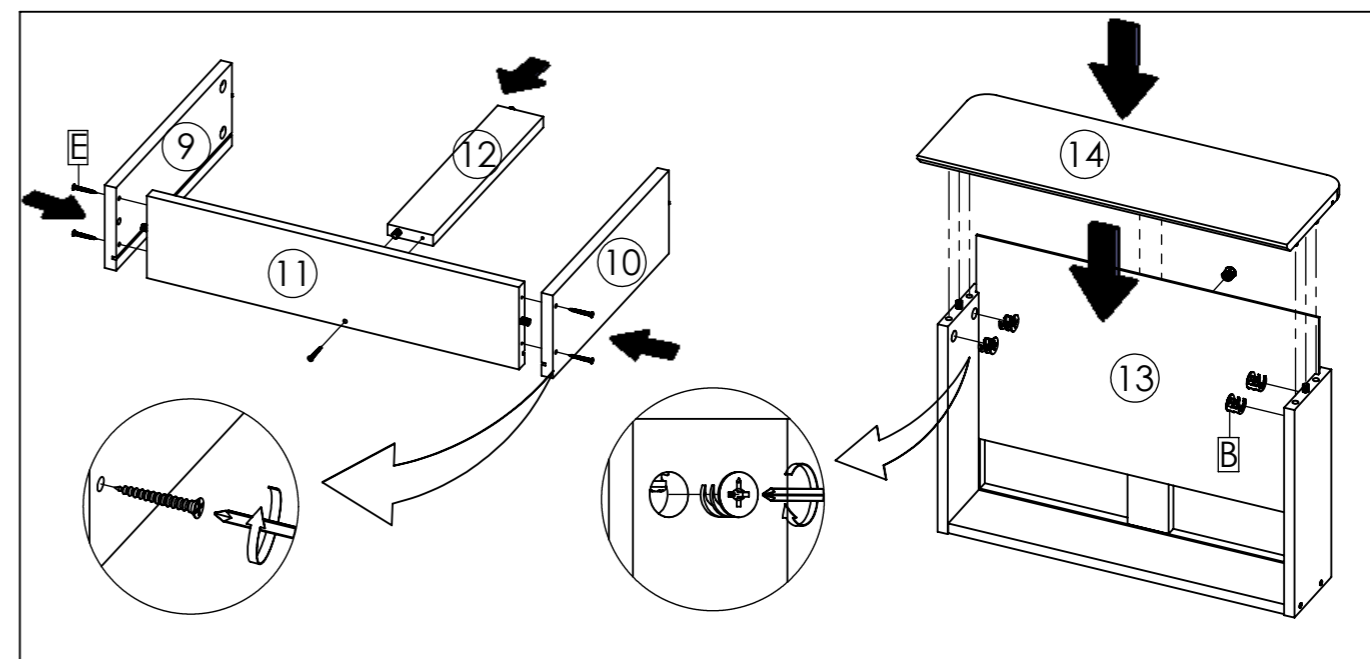
Before beginning assembly of product, make sure all part are present. Compare part with part contents list and hardware contents list.

If any part is missing or damaged, do not attempt to assemble the product.

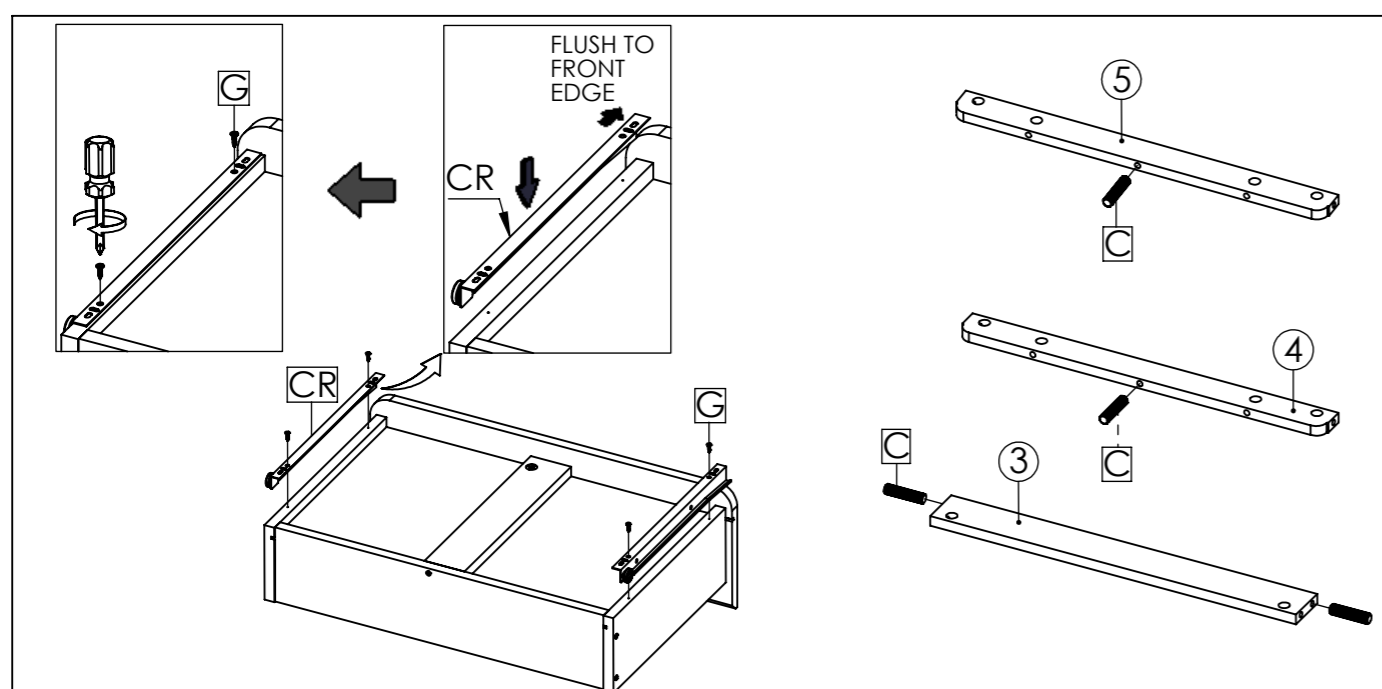
Estimated Assembly Time: 45 minutes.



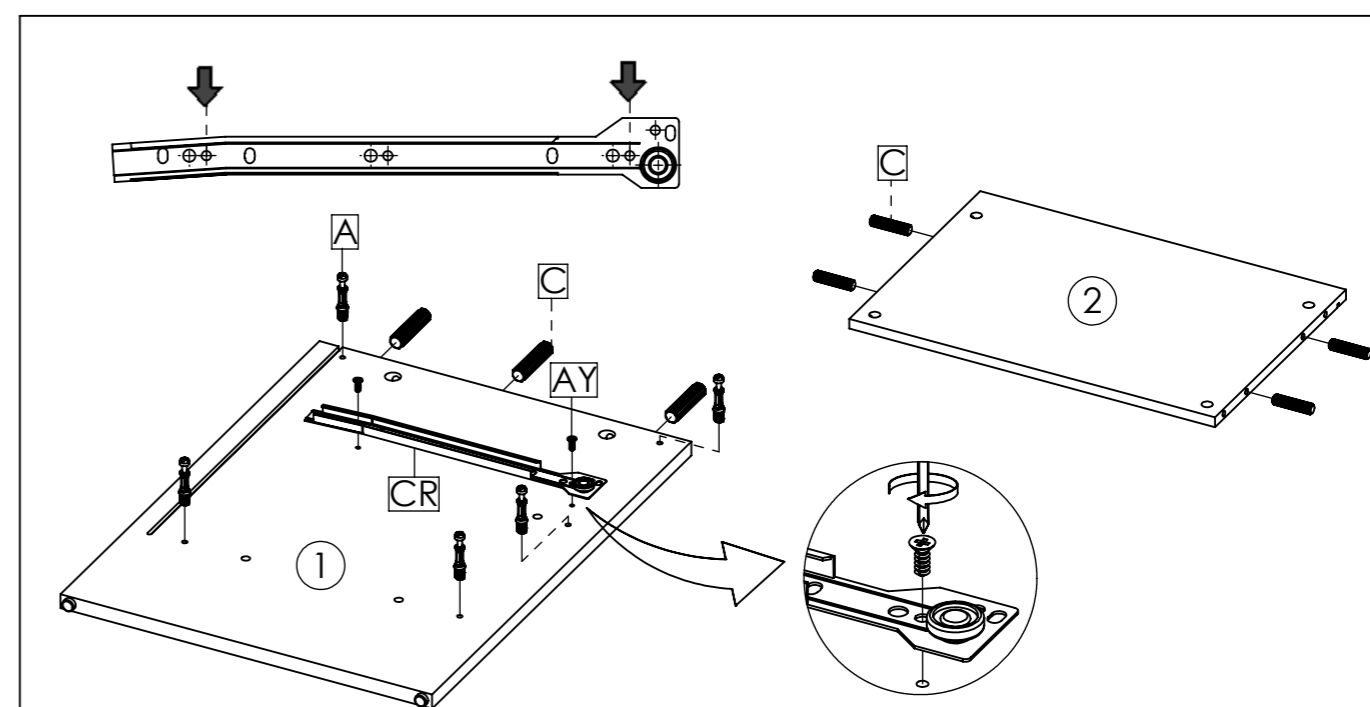
STEP1: Insert Cambolt (A) into front drawer (14), Insert Wooden Dowel (C) into right side drawer (9), left side drawer (10), drawer back (11), and drawer base support (12).



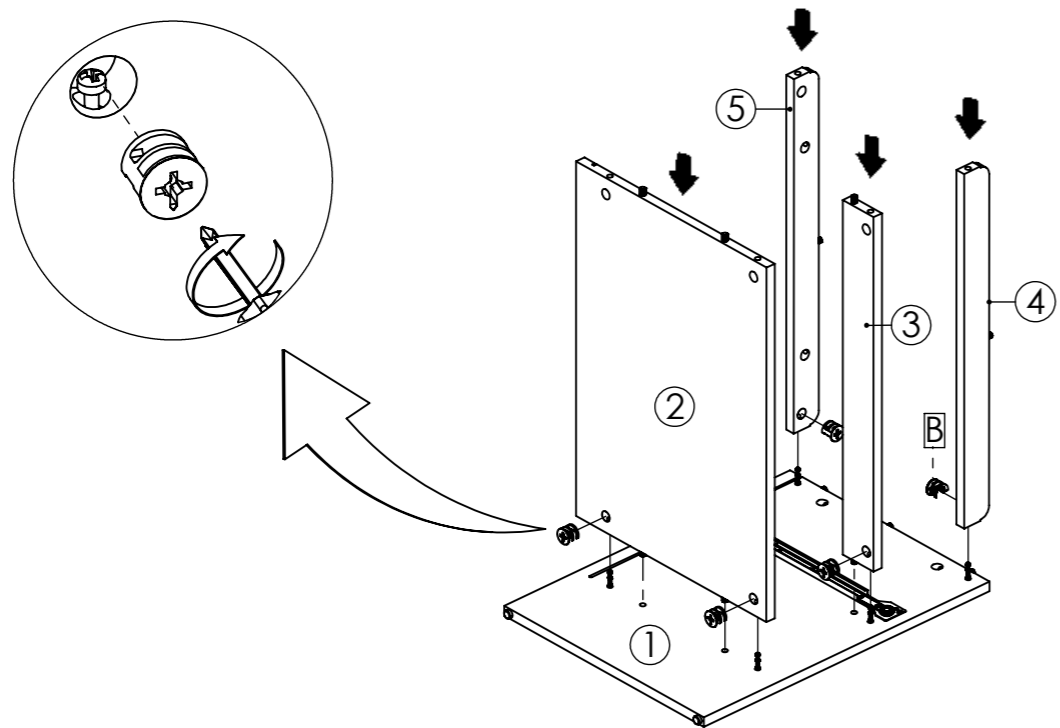
STEP2: Combine Side Drawers (9 & 10) and Drawer Base Support (12) into Drawer Back (11) secure with screw M7x32mm (E). Insert Drawer Base (13), then put Front Drawer (14) then tighten camlock (B) using screwdriver.



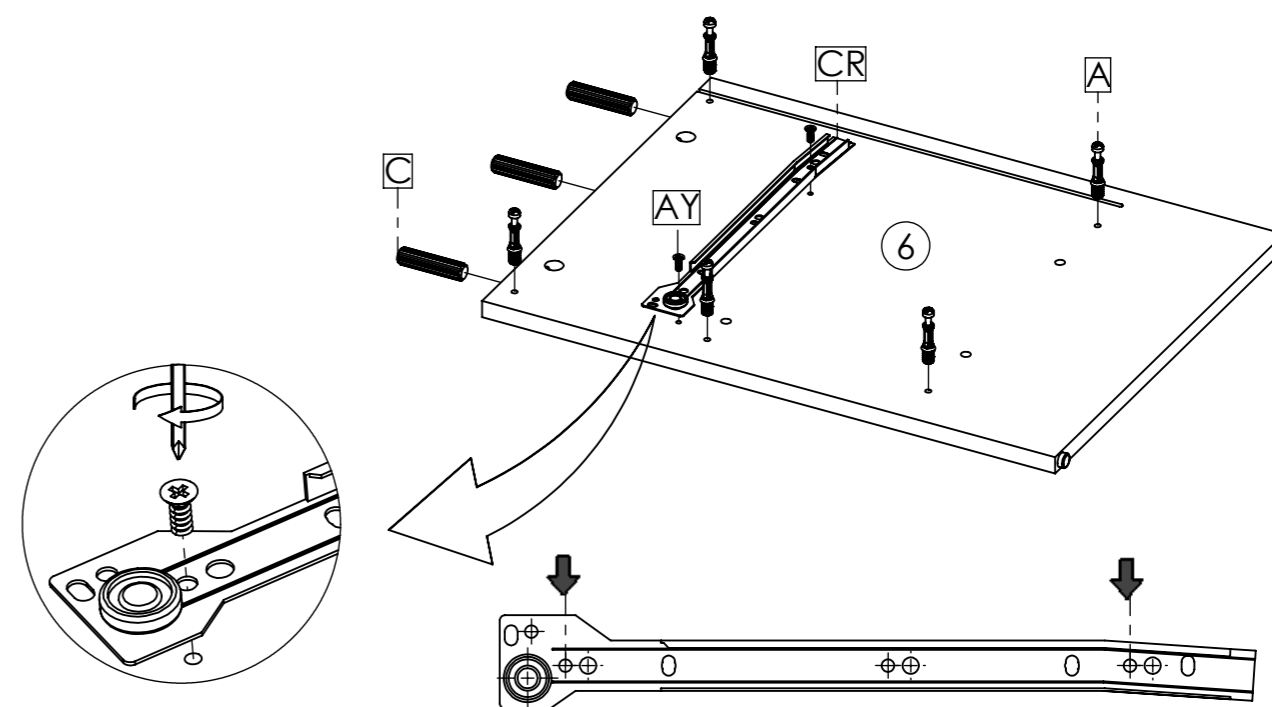
STEP3: Install the metal runner (CR) into position as shown in picture. Secure with screws M6x12mm (G). Insert Wooden Dowel (C), into front fixed shelf (3), front top frame (4) and back top frame (5).



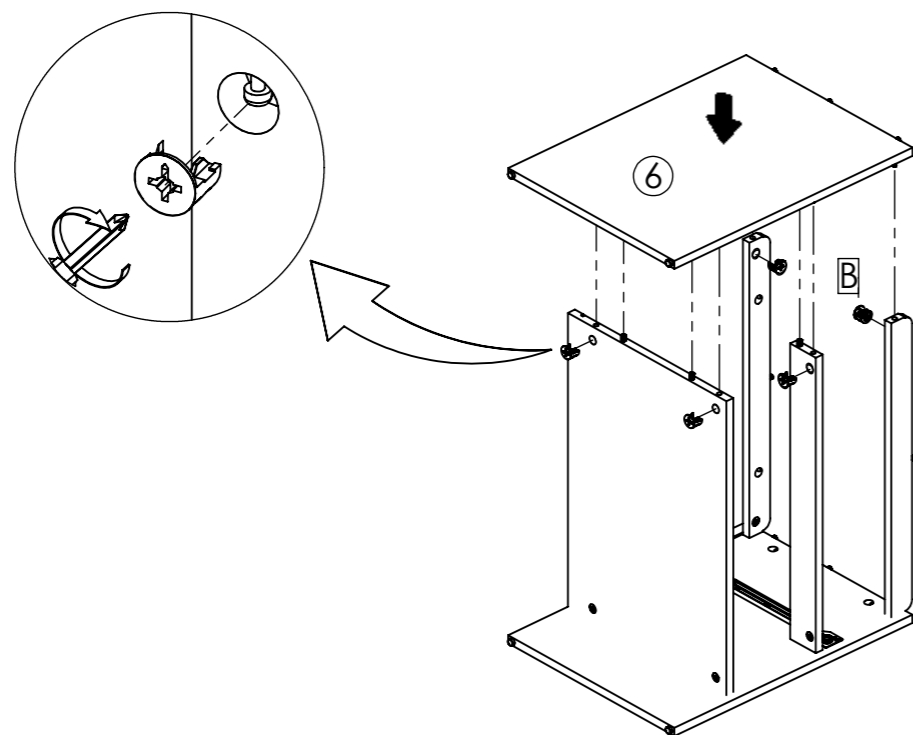
STEP4: Insert Cambolt (A) into Right Side Panel (1), Insert Wooden Dowel (C) into Bottom panel (2). of the metal runner (CR) into position as the above image, using screw M5x8.5mm (AY)



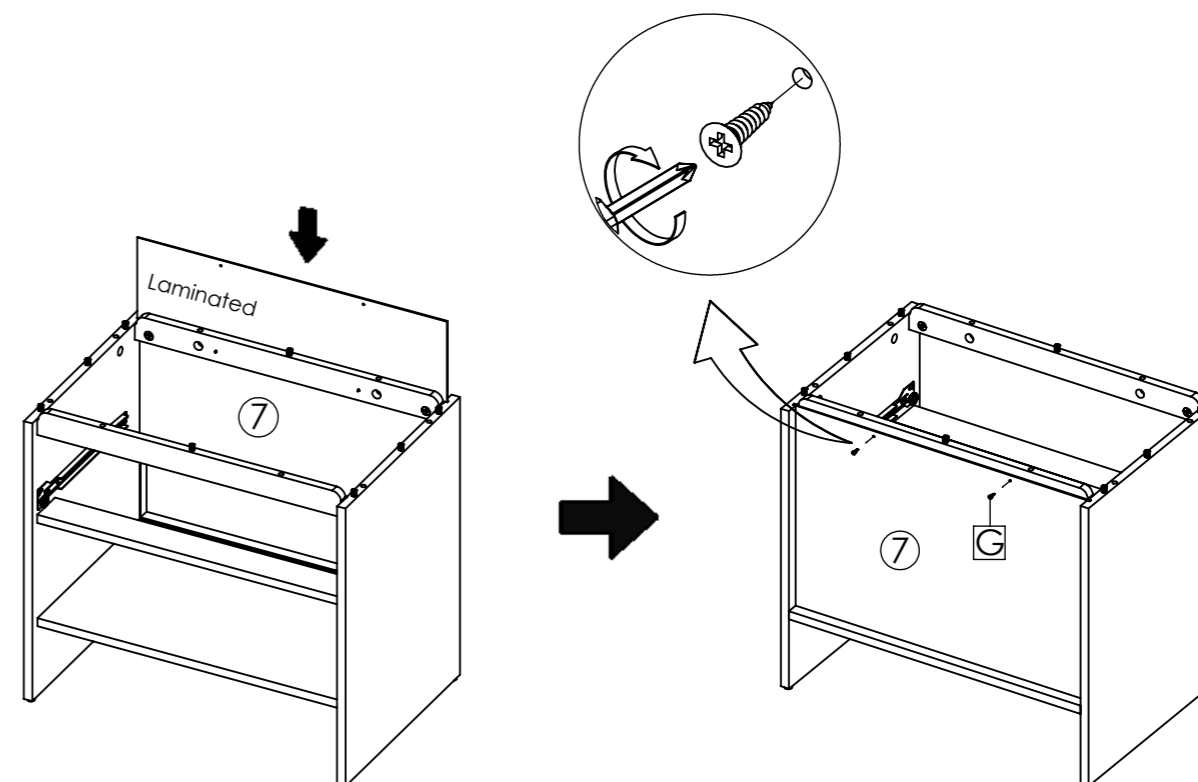
STEP5: Attach Bottom panel (2), front fixed shelf (3) front top frame (4) and back top frame (5), into Right side panel (1). Secure with Camlock (B) tighten it using screwdriver.



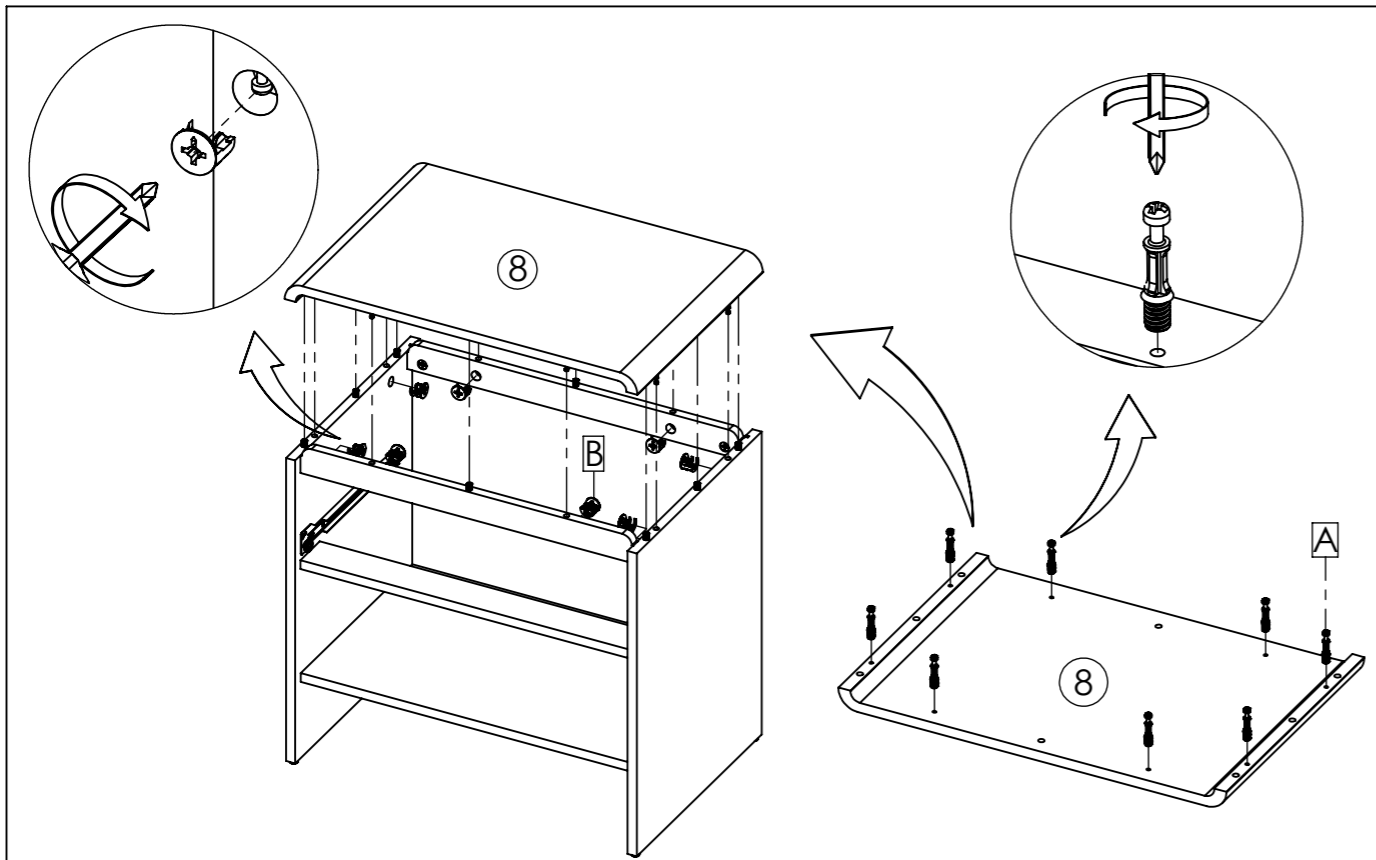
STEP6: Insert Cambolt (A) into Left Side Panel (1), Insert Wooden Dowel (C) into Left Side Panel (1). Of the metal runner (CR) into position as the above image, using screw M5x8.5mm (AY)



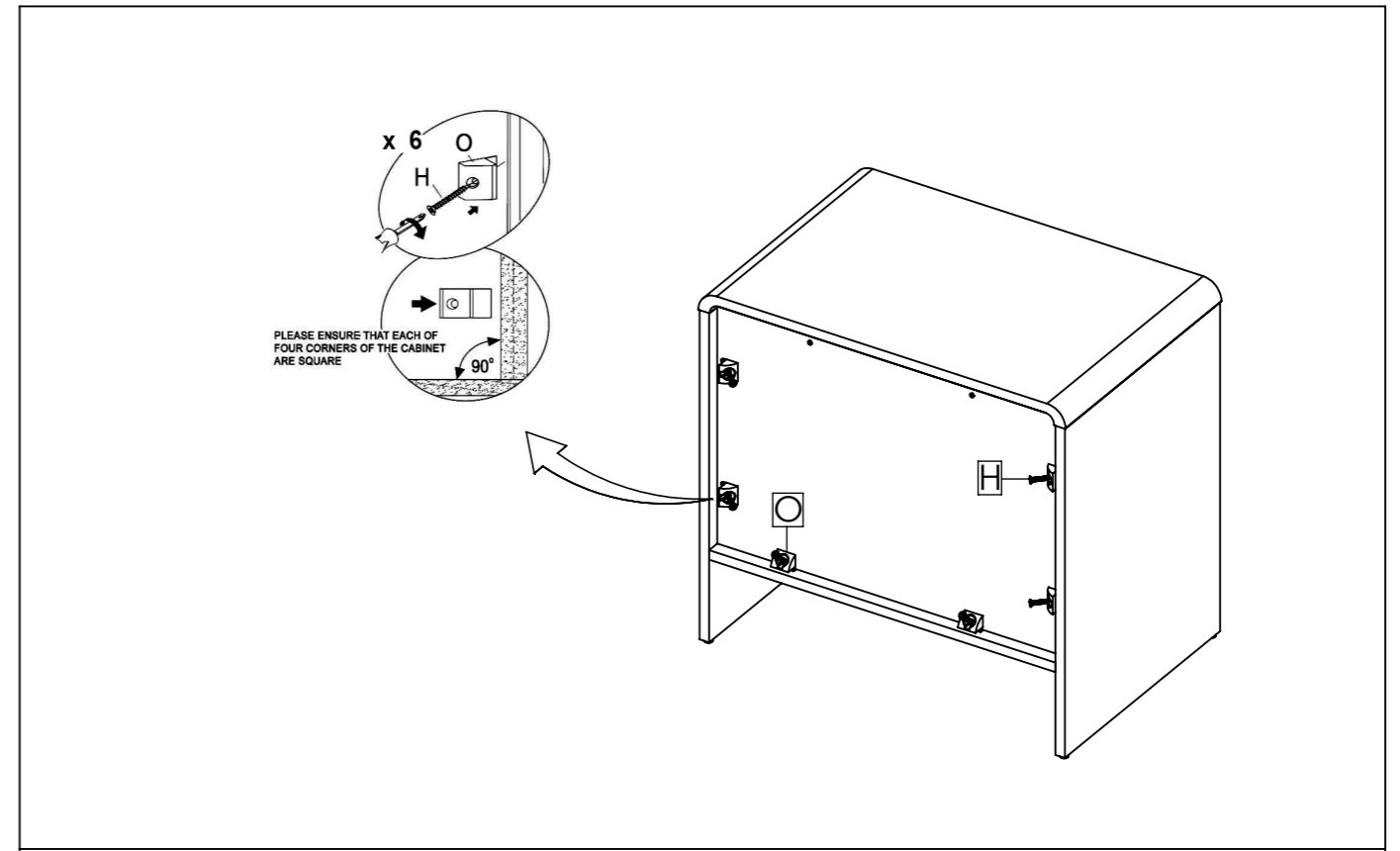
STEP7: Insert Left side panel (6) Secure with Camlock (B) and tighten it using screwdriver.



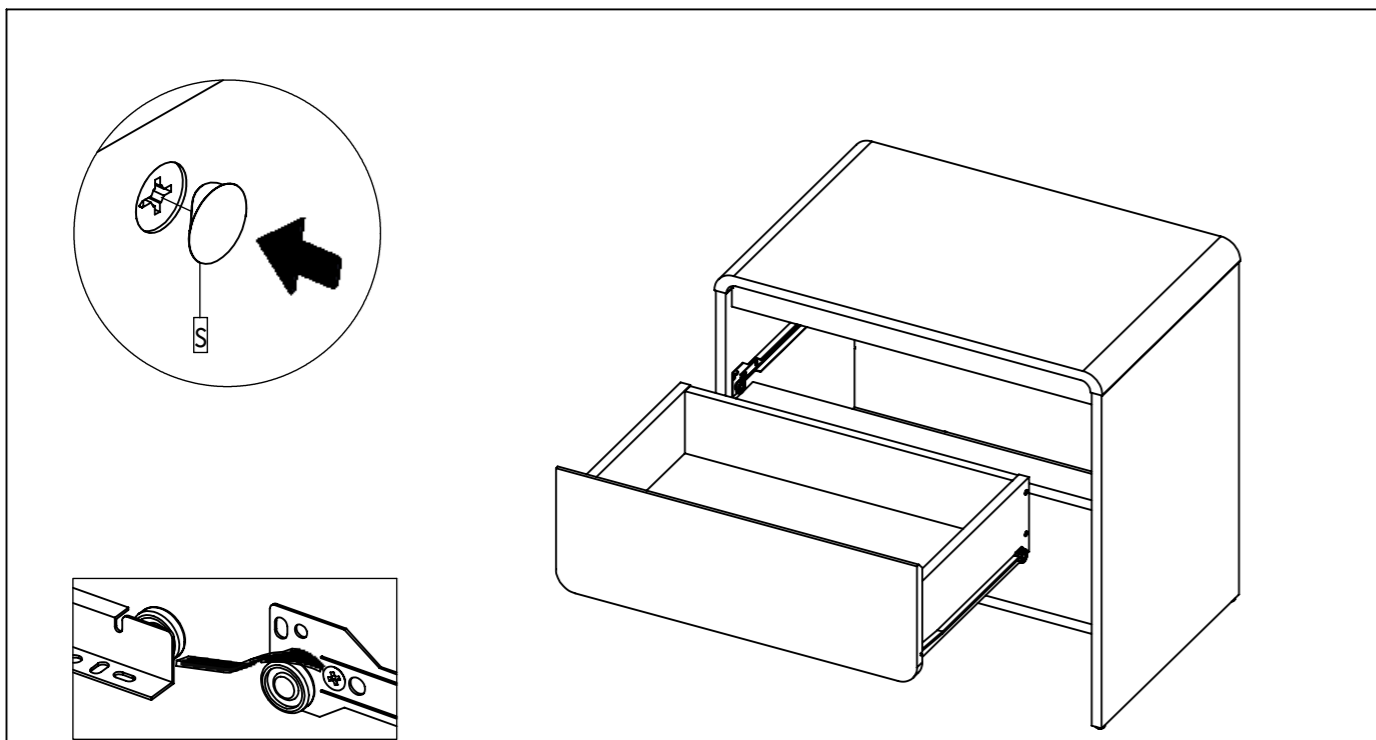
STEP8: Insert Back panel (7), secure with screw M6x12mm (G) into back panel (7) and back top frame (5)



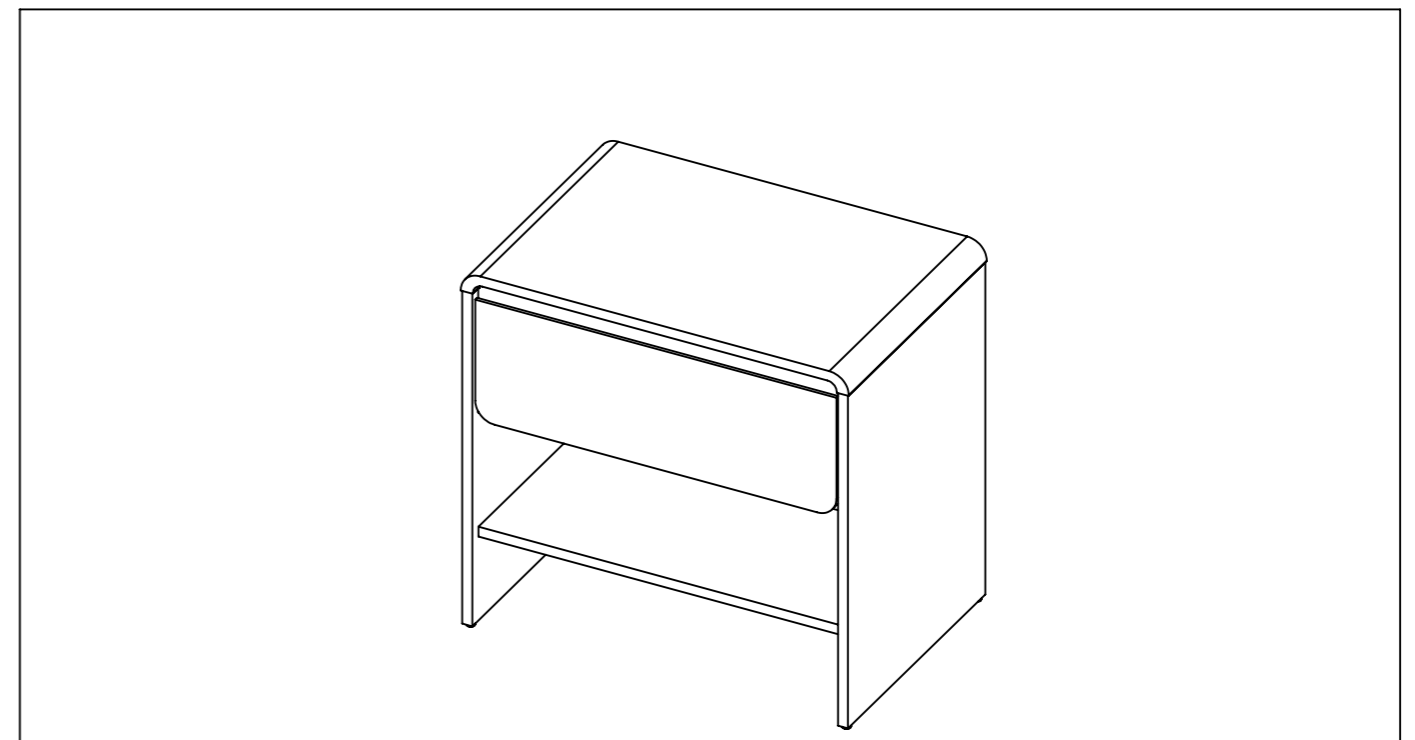
STEP9: Insert Cambolt (A) into Top Panel (8). Insert top panel (8), Secure with Camlock (B) and tighten it using screwdriver.



STEP10: Please ensure that each of four corners of the cabinet are square



STEP11: Hold the sides of drawer, position the wheel of rail at drawer back and the wheel of rail at side boards, according to the image. Slide in the drawers one by one into the cabinet. Attach Cover Cap Sticker (S) to the panel that has lamination.



STEP12 : Assembly is complete