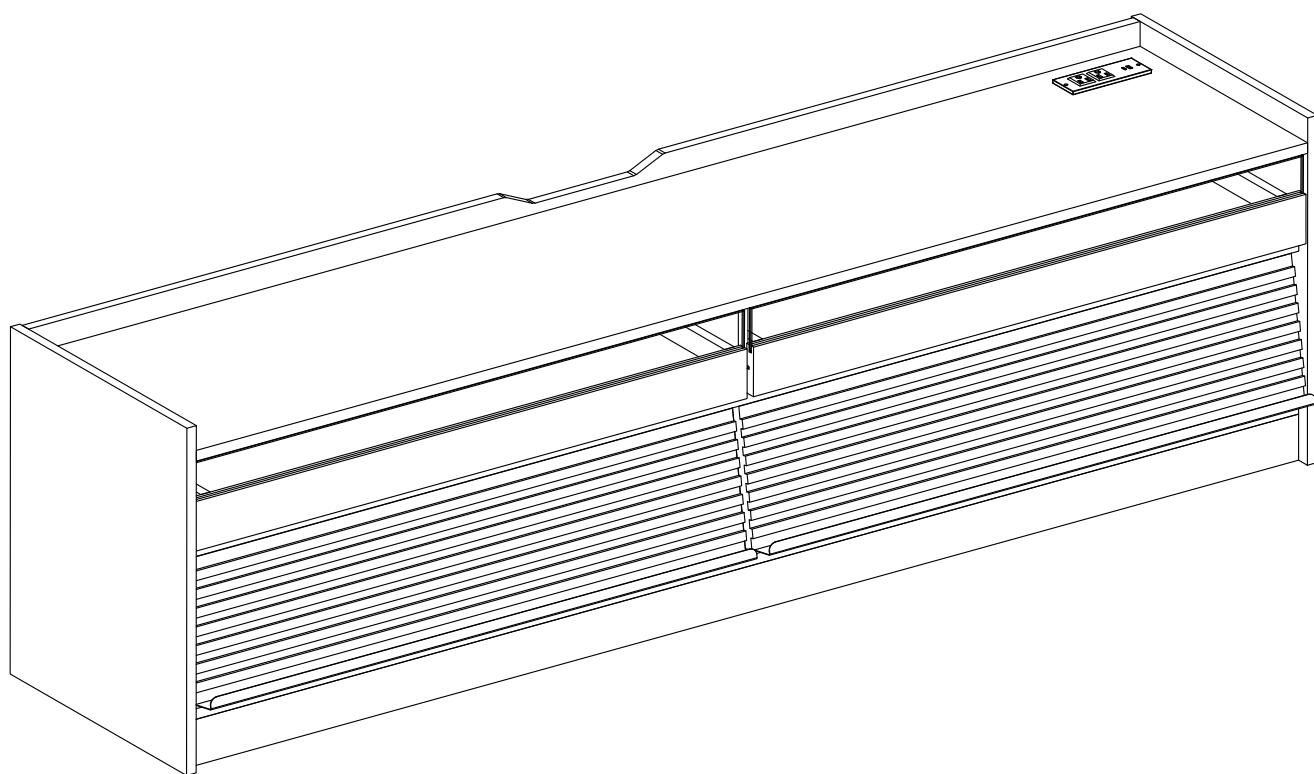


ASSEMBLY INSTRUCTION

TV STAND



ASSEMBLY INSTRUCTION

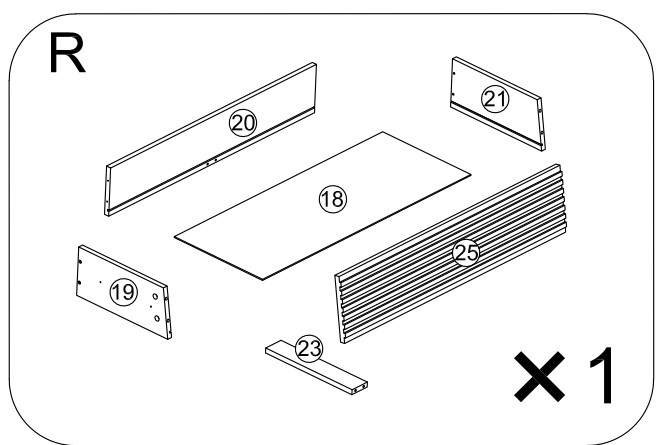
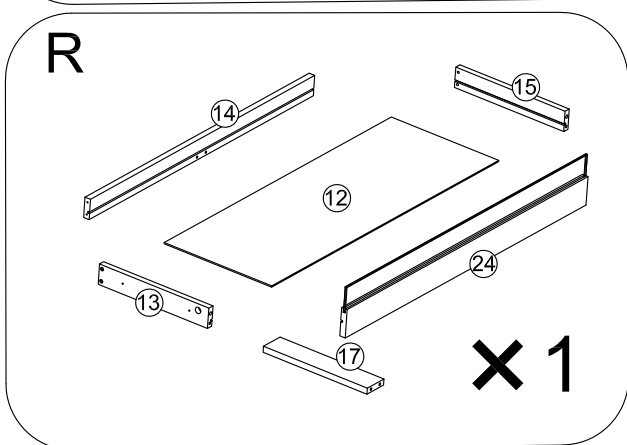
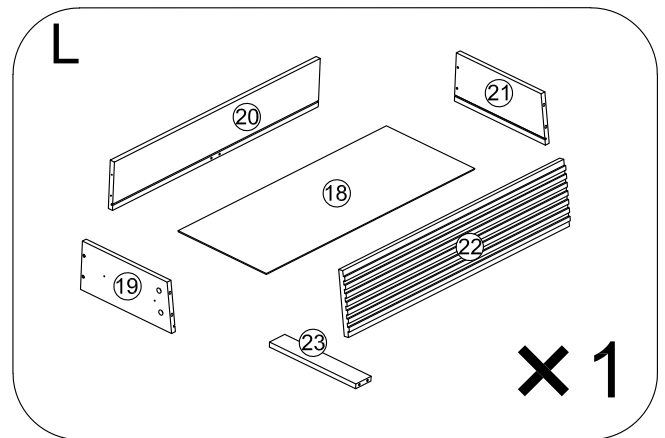
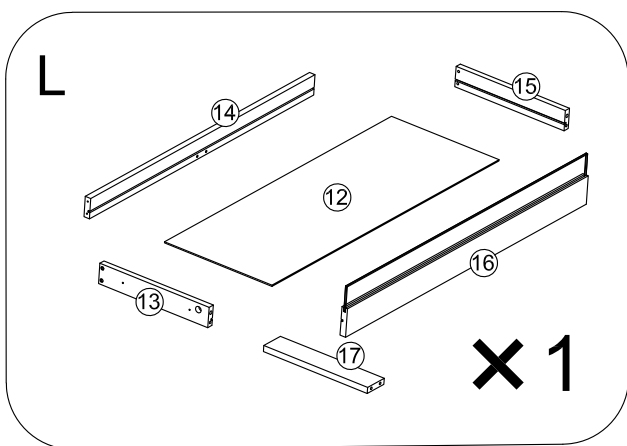
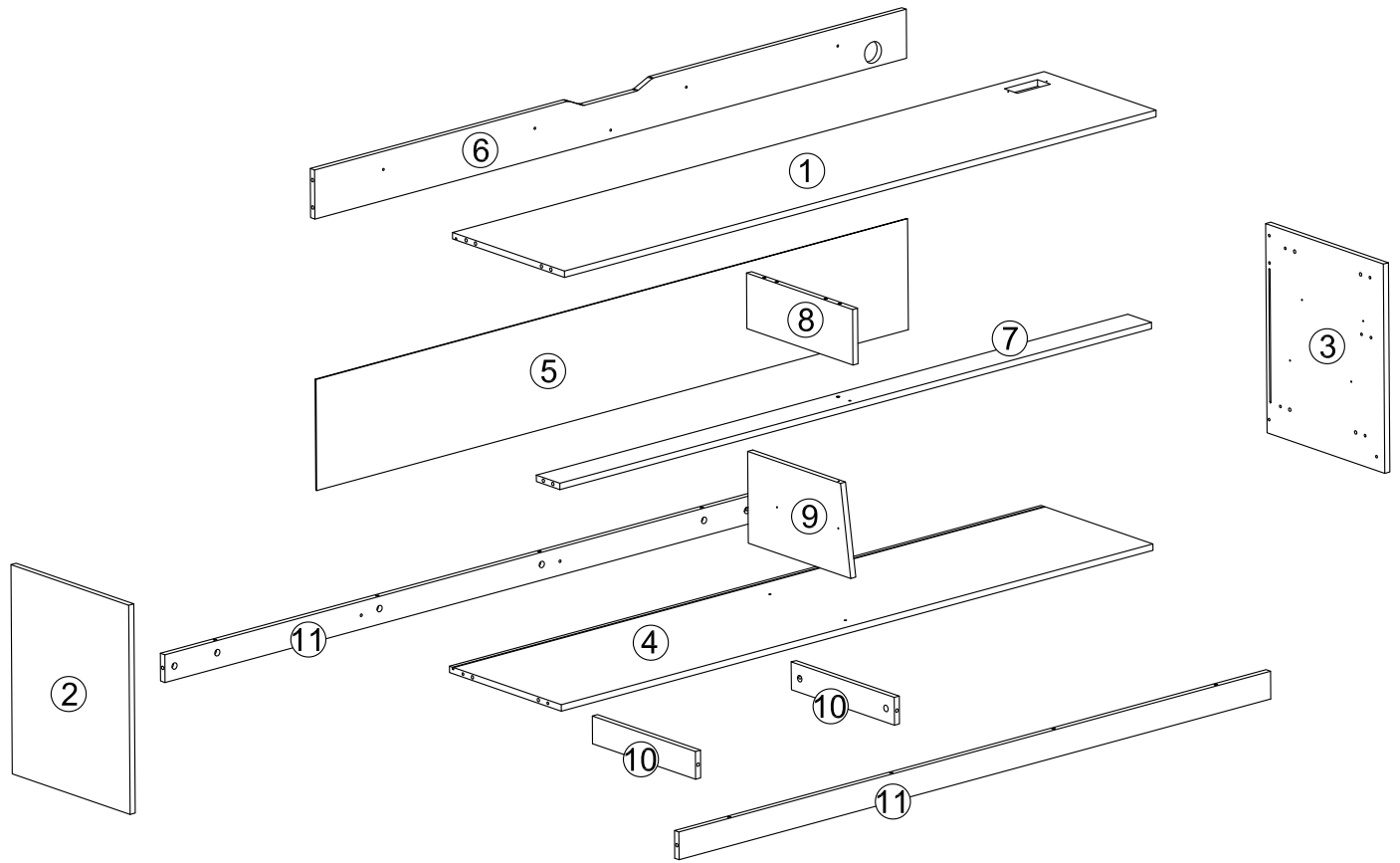
Please read these instructions fully before starting assembly:

1. Place all wooden parts on a clean and smooth surface such as a rug or carpet to avoid scratching the parts.
2. Kindly follow the assembly instructions step by step.
3. Do not tighten all screws and bolts until the table is fully assembled.
4. Unscrew the protective plastique supports from the metal insert of the table legs before assembly.
5. Parts of the assembly will be easier with 2 people.

Care and maintenance:

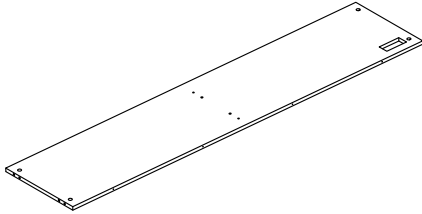
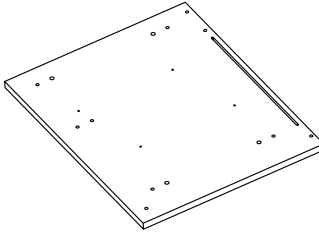
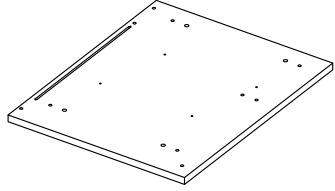
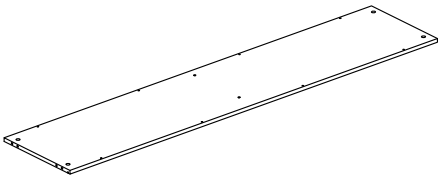
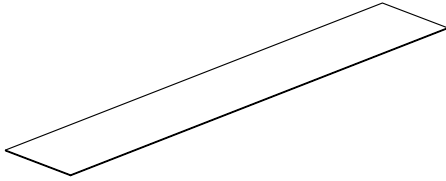
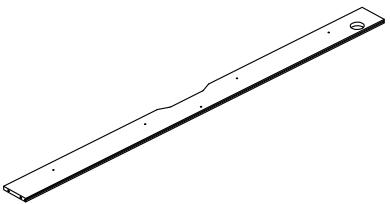
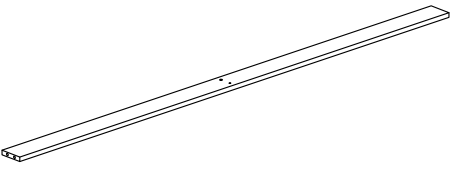
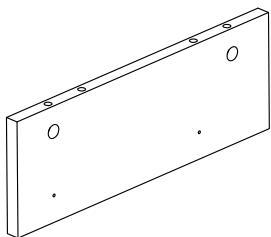
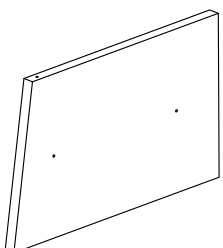
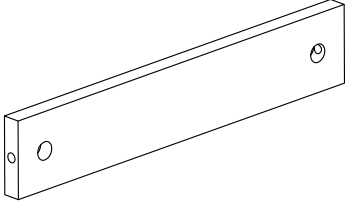
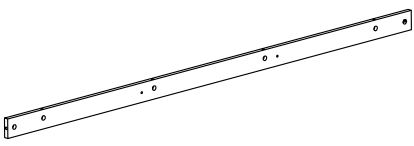
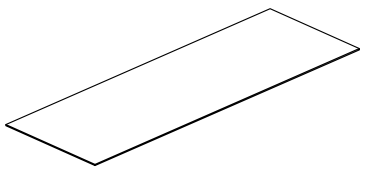
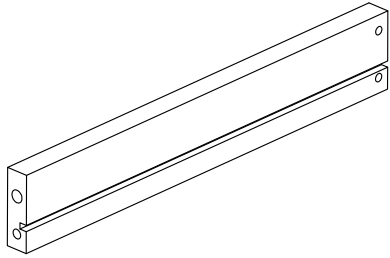
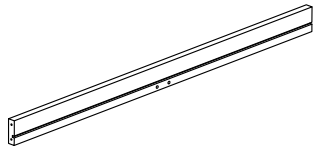
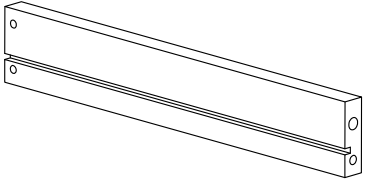
Only clean using a damp cloth and mild detergent, do not use bleach or abrasive cleaners.

ASSEMBLY INSTRUCTION



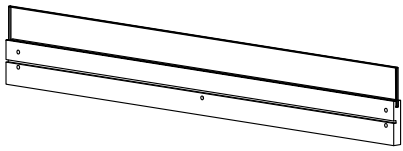
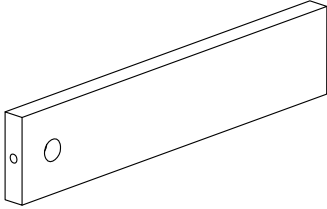
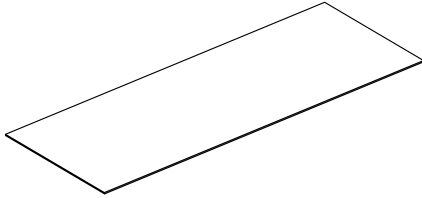
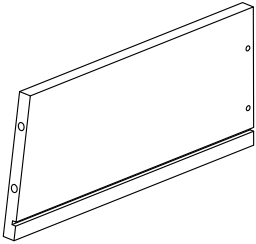
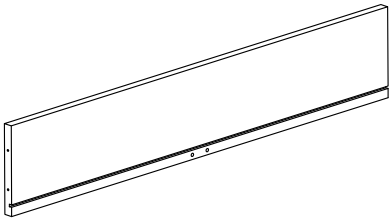
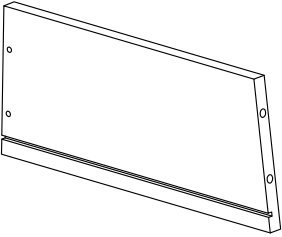
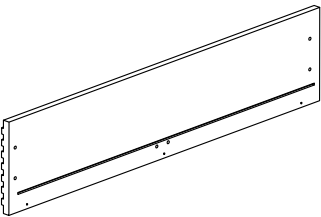
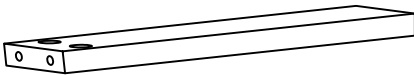
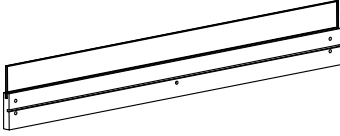
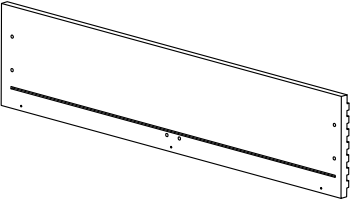
ASSEMBLY INSTRUCTION

Part List

① 	②  L	③  R
1pc	1pc	1pc
④ 	⑤ 	⑥ 
1pc	1pc	1pc
⑦ 	⑧ 	⑨ 
1pc	1pc	1pc
⑩ 	⑪ 	⑫ 
2pcs	2pcs	2pcs
⑬  L	⑭ 	⑮  R
2pcs	2pcs	2pcs

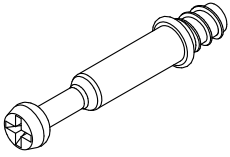
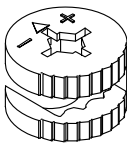
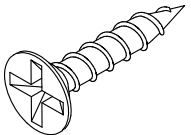
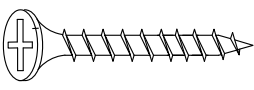
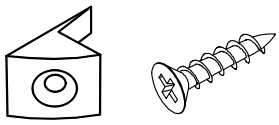
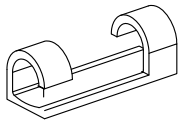
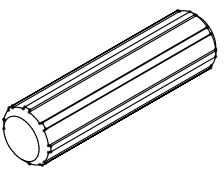
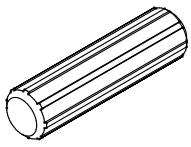
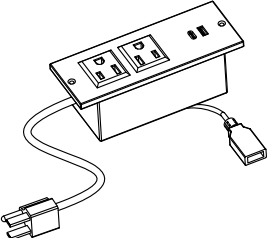
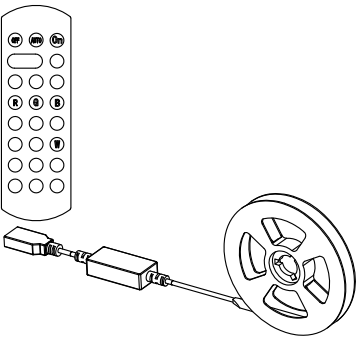
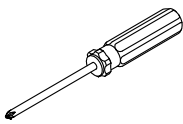
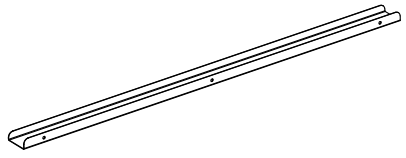

ASSEMBLY INSTRUCTION

Part List

<p>①⑥</p> 	<p>①⑦</p> 	<p>①⑧</p> 
<p>1pc</p>	<p>2pcs</p>	<p>2pcs</p>
<p>①⑨</p>  <p>L</p>	<p>②⑦</p> 	<p>②①</p>  <p>R</p>
<p>2pcs</p>	<p>2pcs</p>	<p>2pcs</p>
<p>②②</p> 	<p>②③</p> 	<p>②④</p> 
<p>1pc</p>	<p>2pcs</p>	<p>1pc</p>
<p>②⑤</p> 		
<p>1pc</p>		

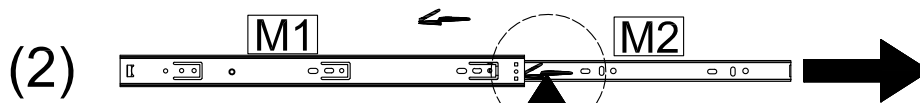
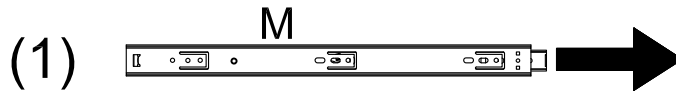
ASSEMBLY INSTRUCTION

Hardware List

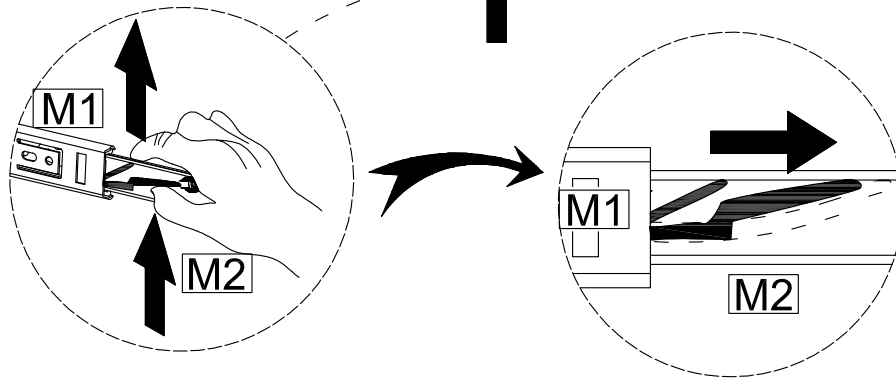
<p>A</p> 	<p>B</p> 	<p>C</p> 
<p>52pcs</p>	<p>52pcs</p>	<p>M4*14=40pcs</p>
<p>D</p> 	<p>E</p> 	<p>F</p> 
<p>M4*40=33pcs</p>	<p>5pcs</p>	<p>3pcs</p>
<p>G</p> 	<p>H</p> 	<p>I</p> 
<p>8*30=10pcs</p>	<p>6*30=4pcs</p>	<p>1pc</p>
<p>J</p> 	<p>K</p> 	<p>L</p> 
<p>1pc</p>	<p>1pc</p>	<p>2pcs</p>
<p>M</p> 		
<p>8pc</p>		

ASSEMBLY INSTRUCTION

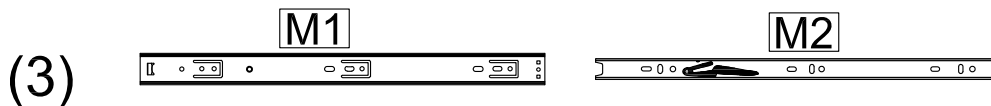
Step1



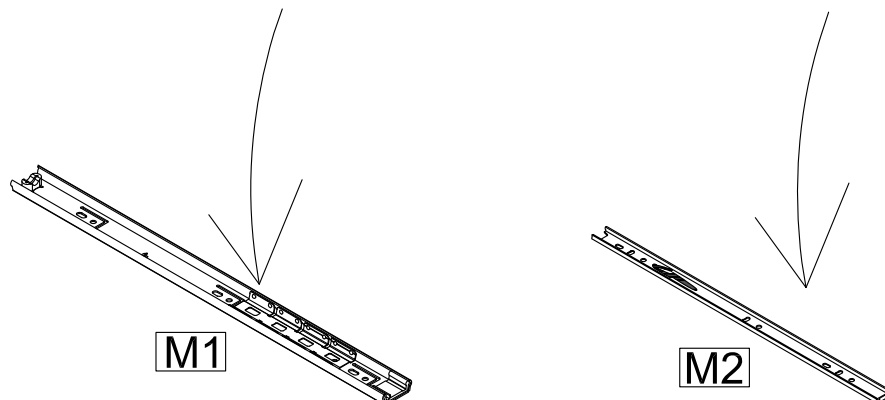
x8



Move the black paddle upward and pull out (M2) to the right.

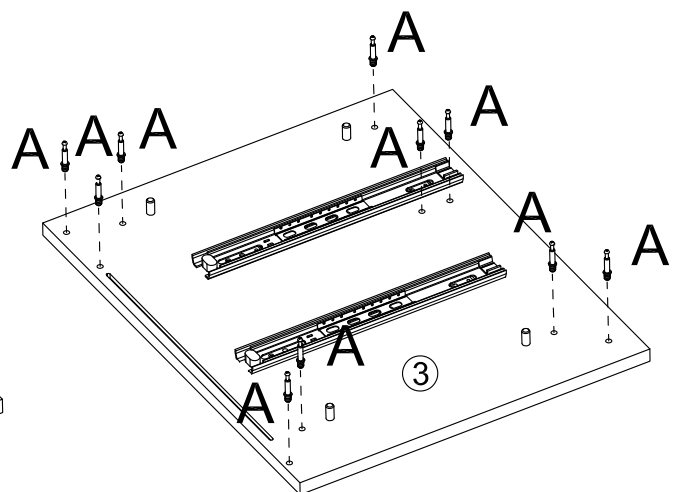
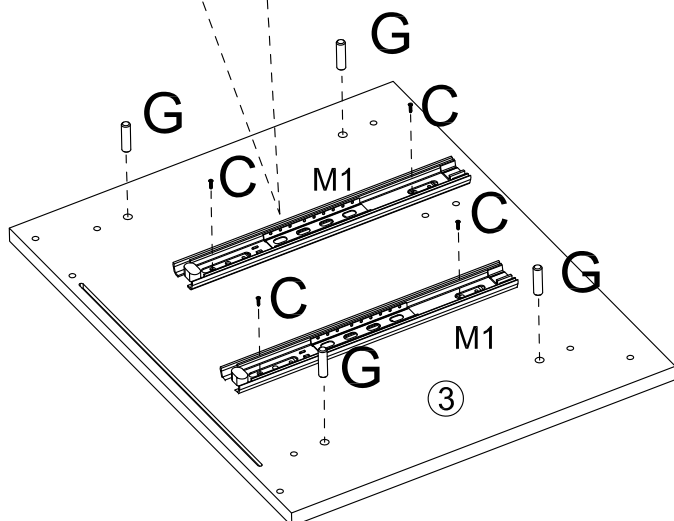
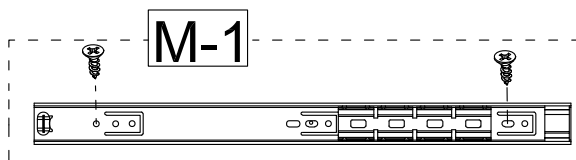
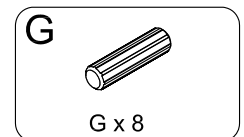
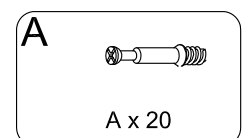
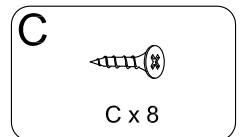
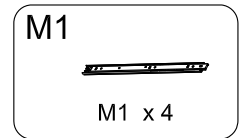
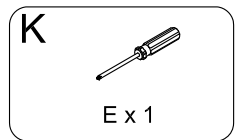
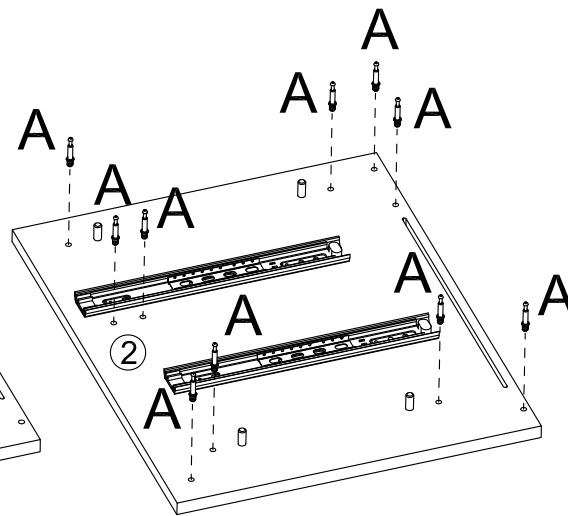
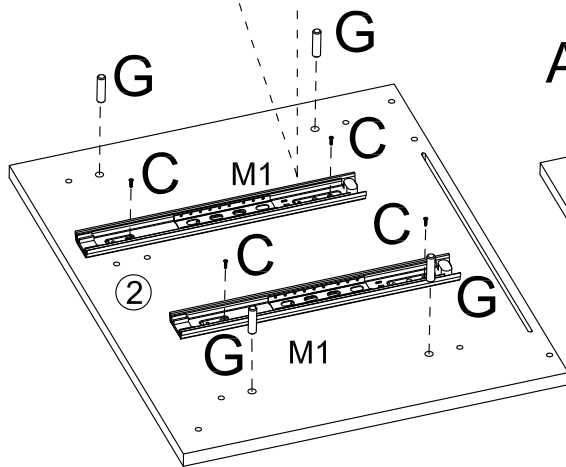
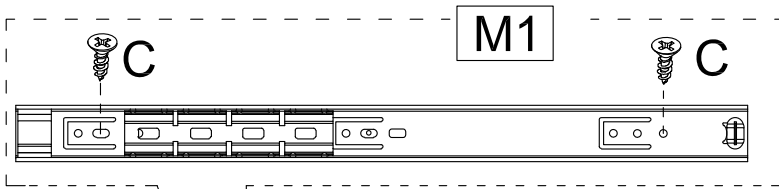
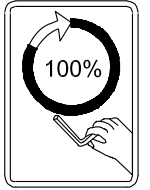


x8



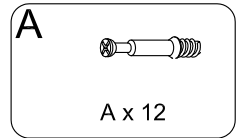
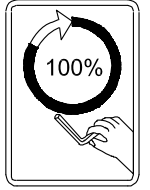
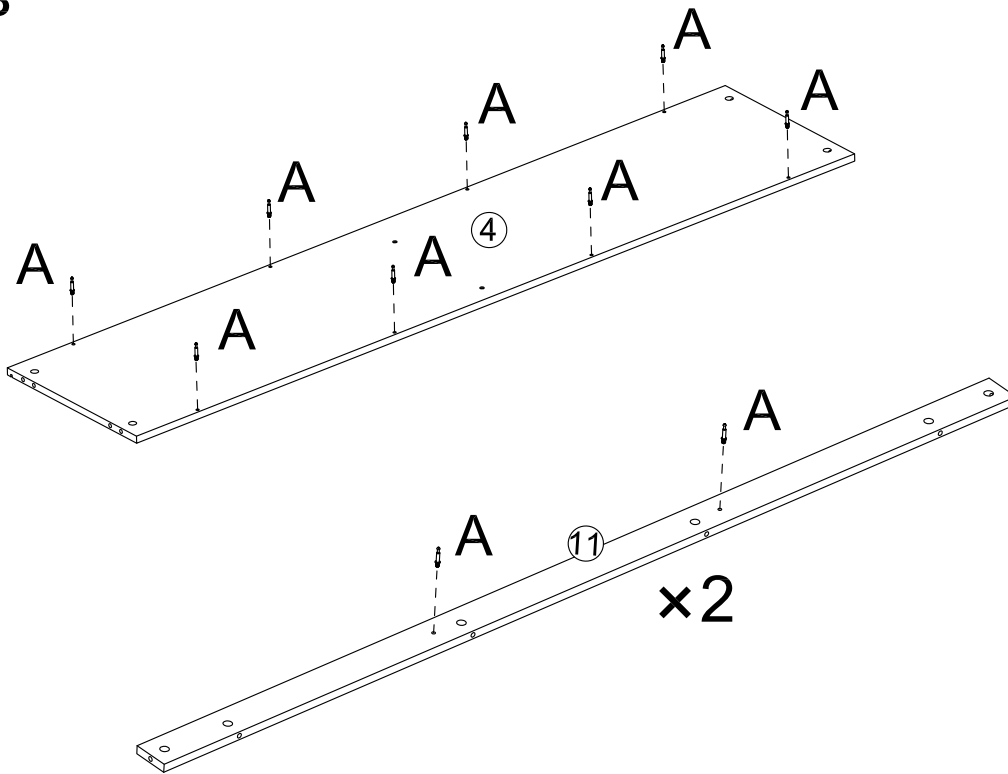
ASSEMBLY INSTRUCTION

Step2

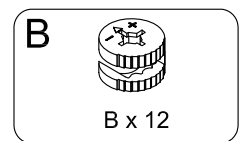
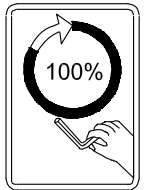
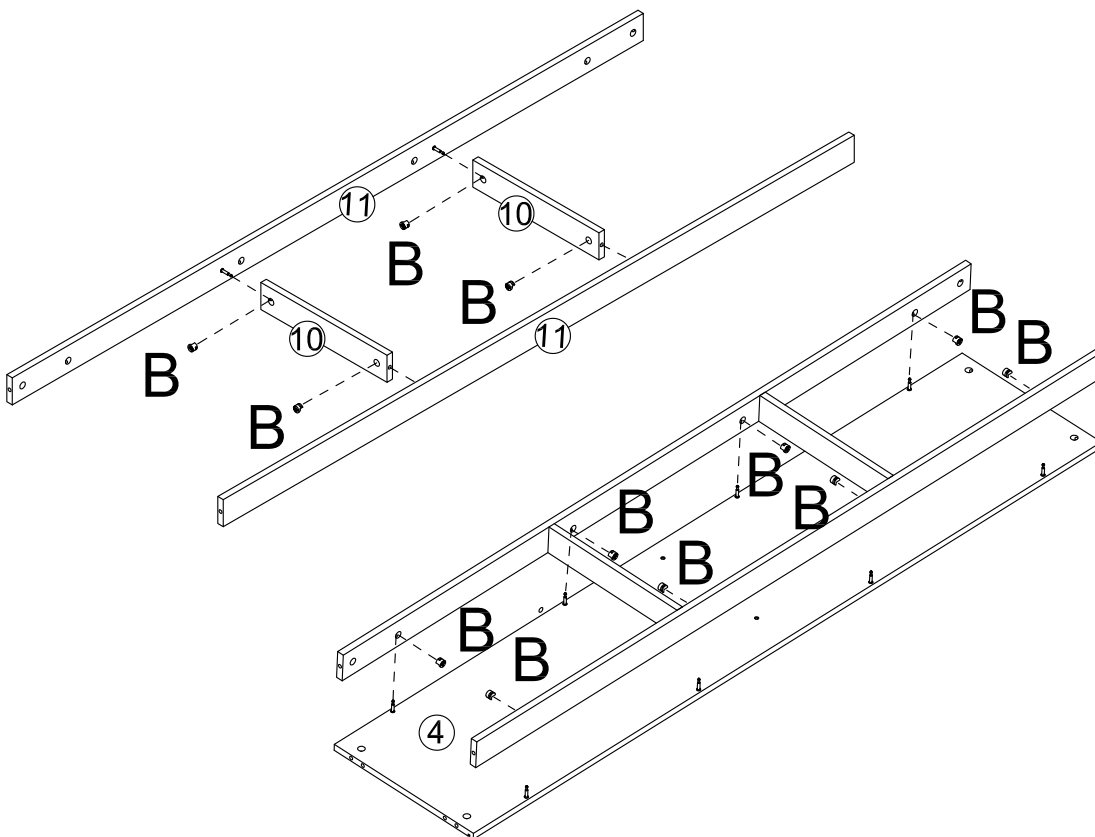


ASSEMBLY INSTRUCTION

Step3

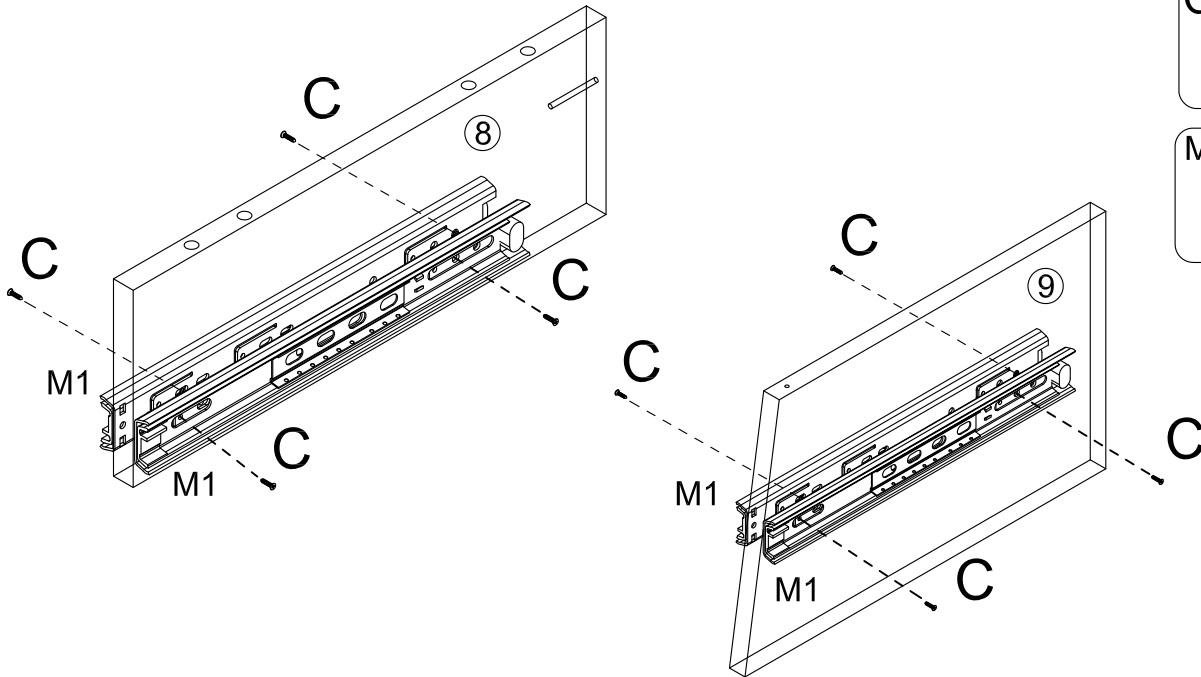
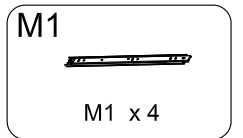
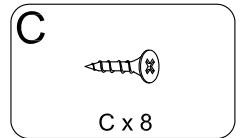
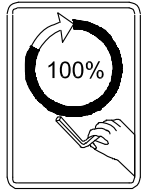
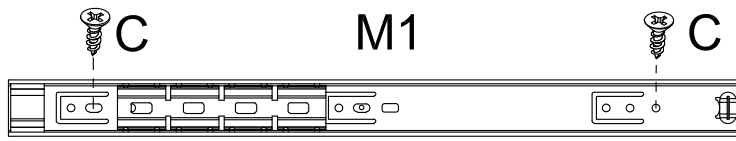


Step4

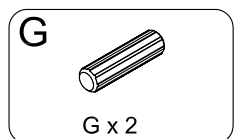
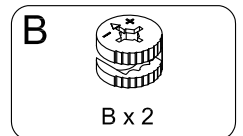
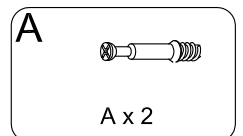
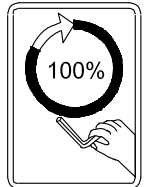
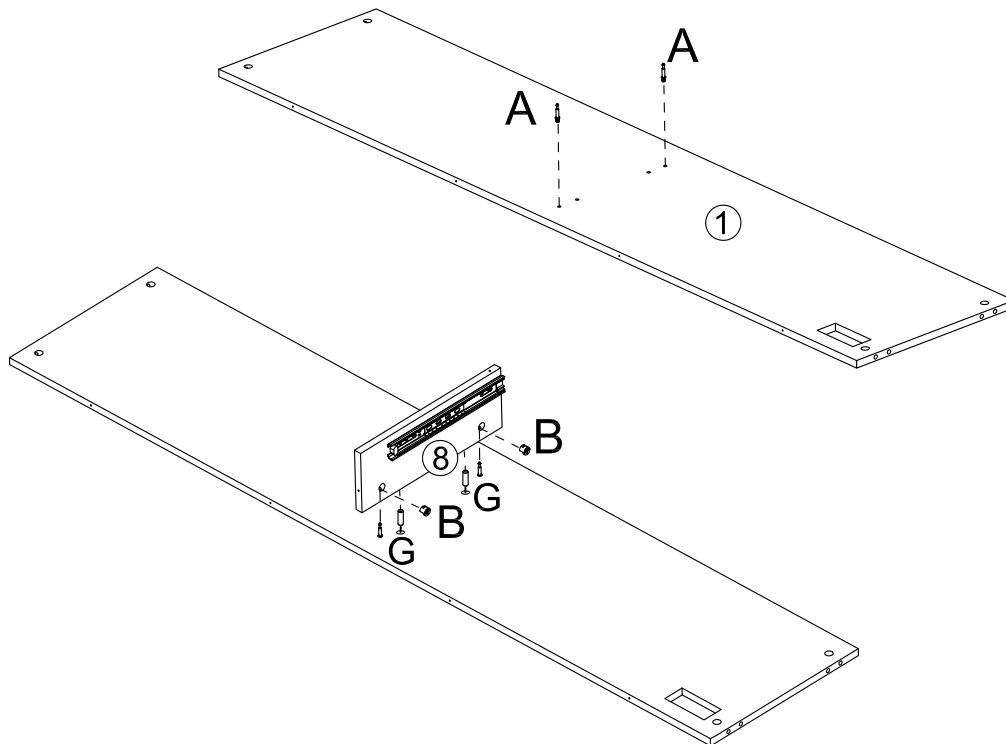


ASSEMBLY INSTRUCTION

Step5

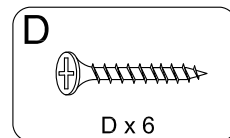
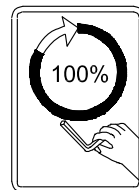
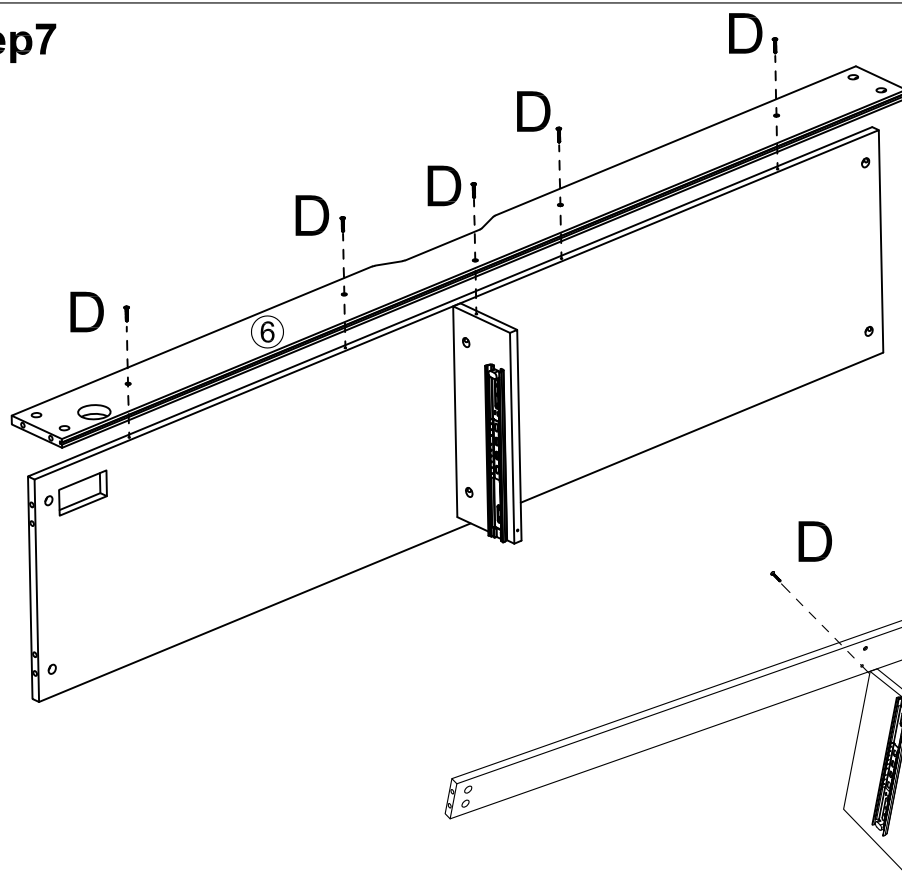


Step6

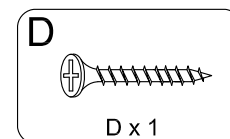
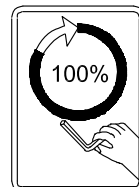
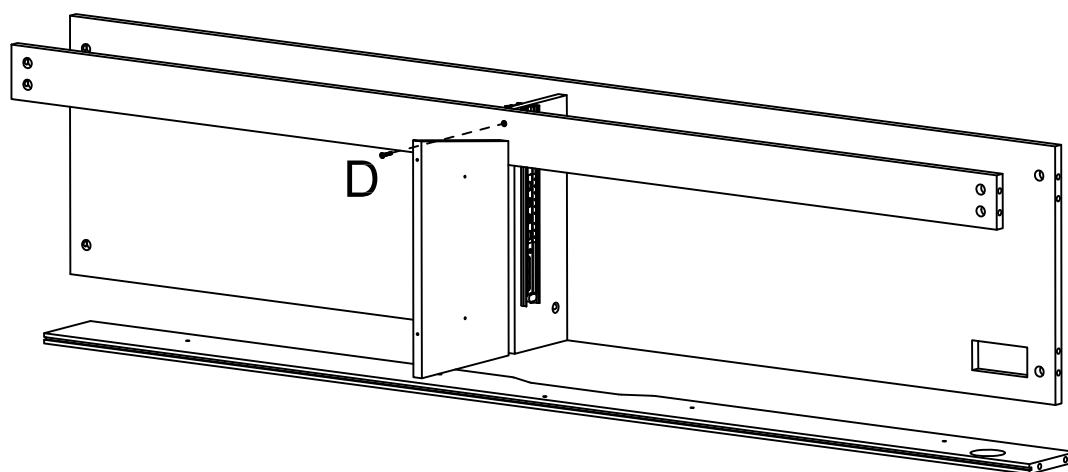


ASSEMBLY INSTRUCTION

Step7

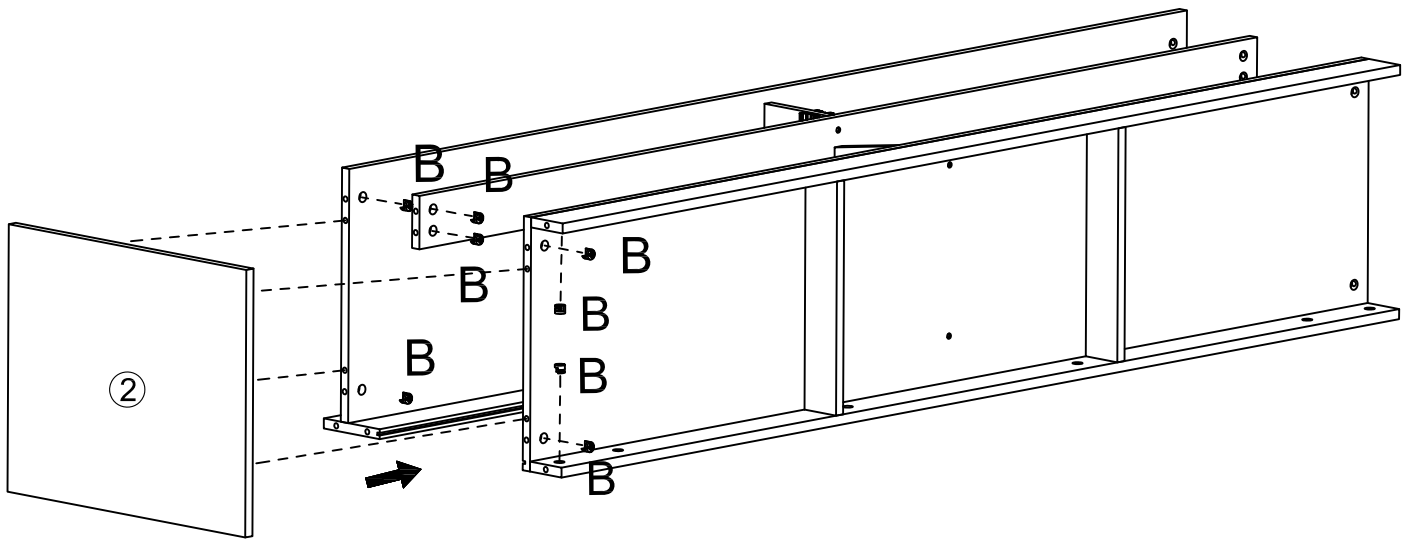
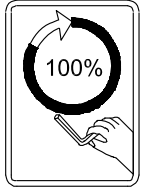
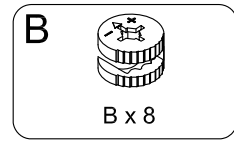


Step8

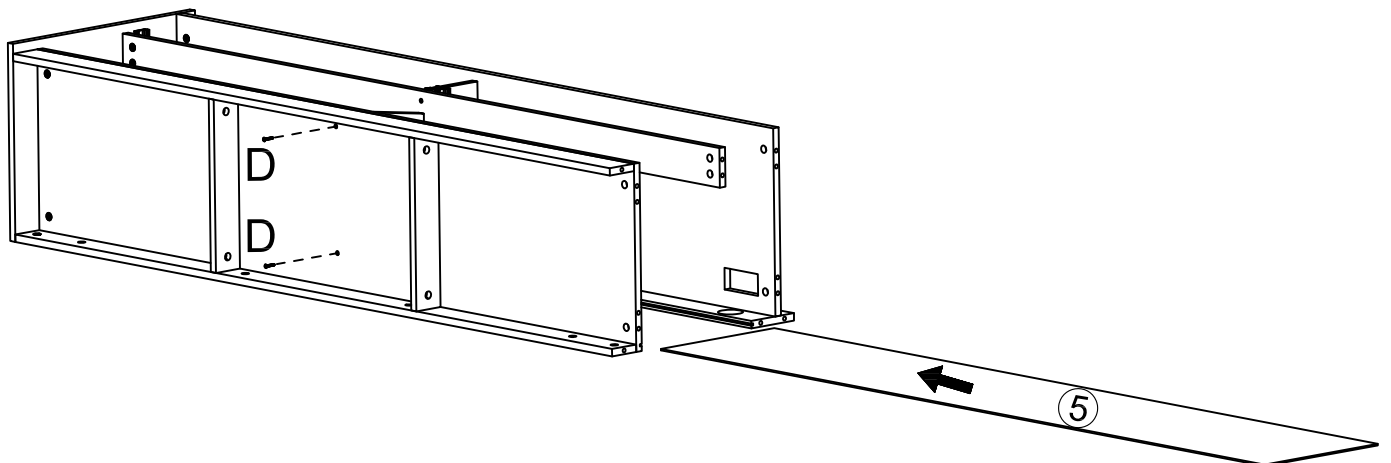
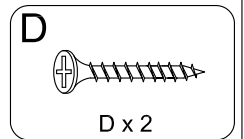
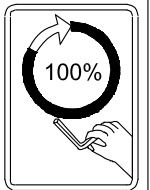


ASSEMBLY INSTRUCTION

Step9

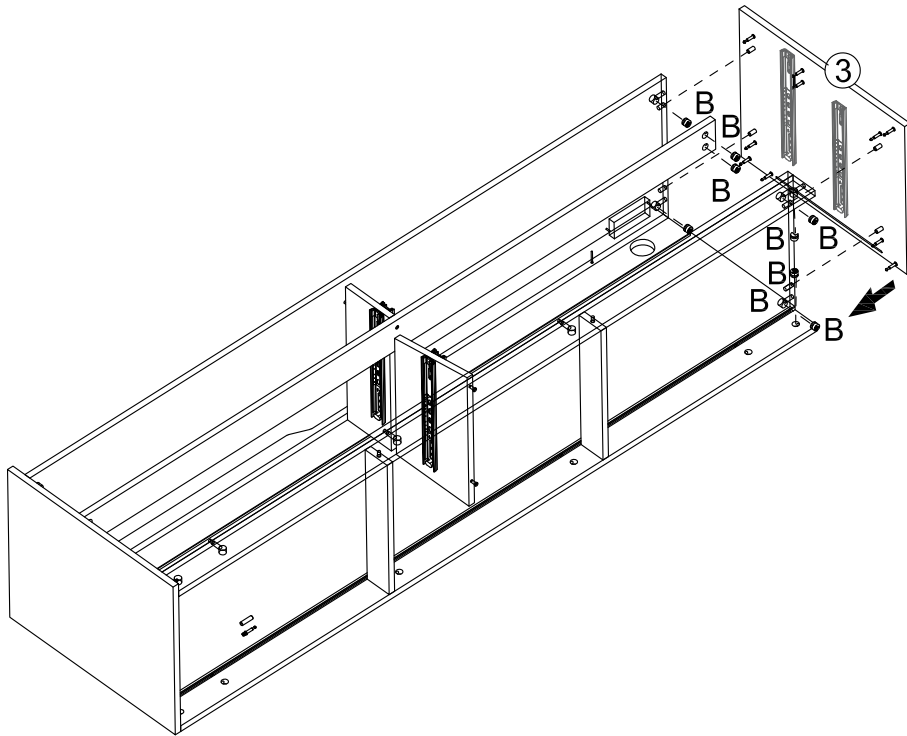
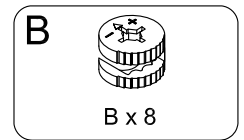
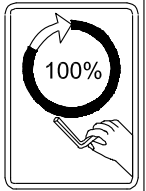


Step10



ASSEMBLY INSTRUCTION

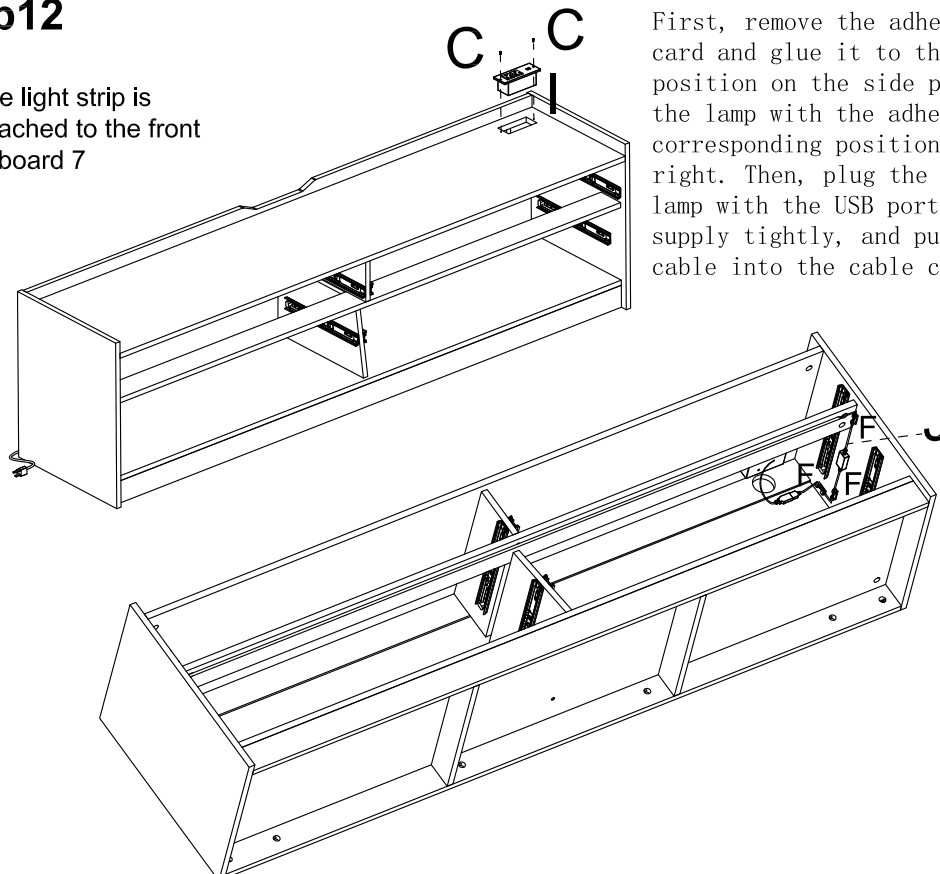
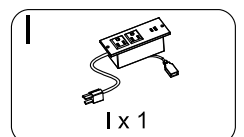
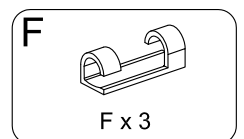
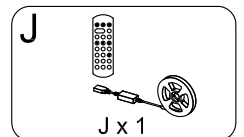
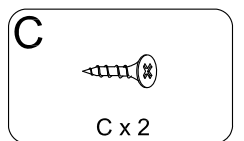
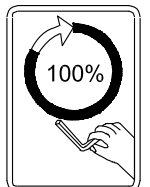
Step11



Step12

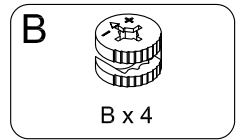
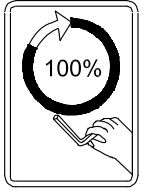
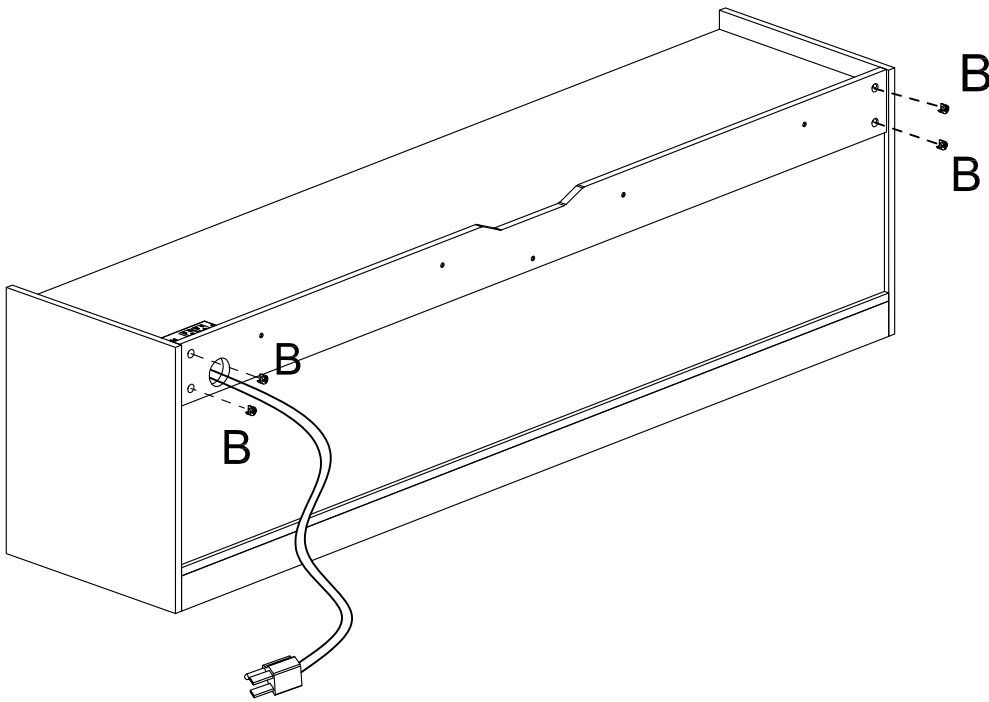
The light strip is attached to the front of board 7

First, remove the adhesive of the cable card and glue it to the corresponding position on the side panel. Then, glue the lamp with the adhesive tape to the corresponding position from left to right. Then, plug the USB port of the lamp with the USB port of the power supply tightly, and put the excess cable into the cable card slot.

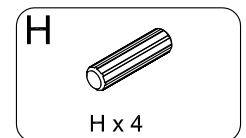
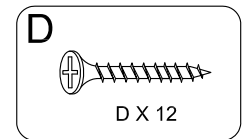
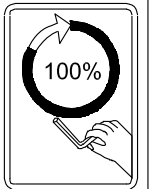
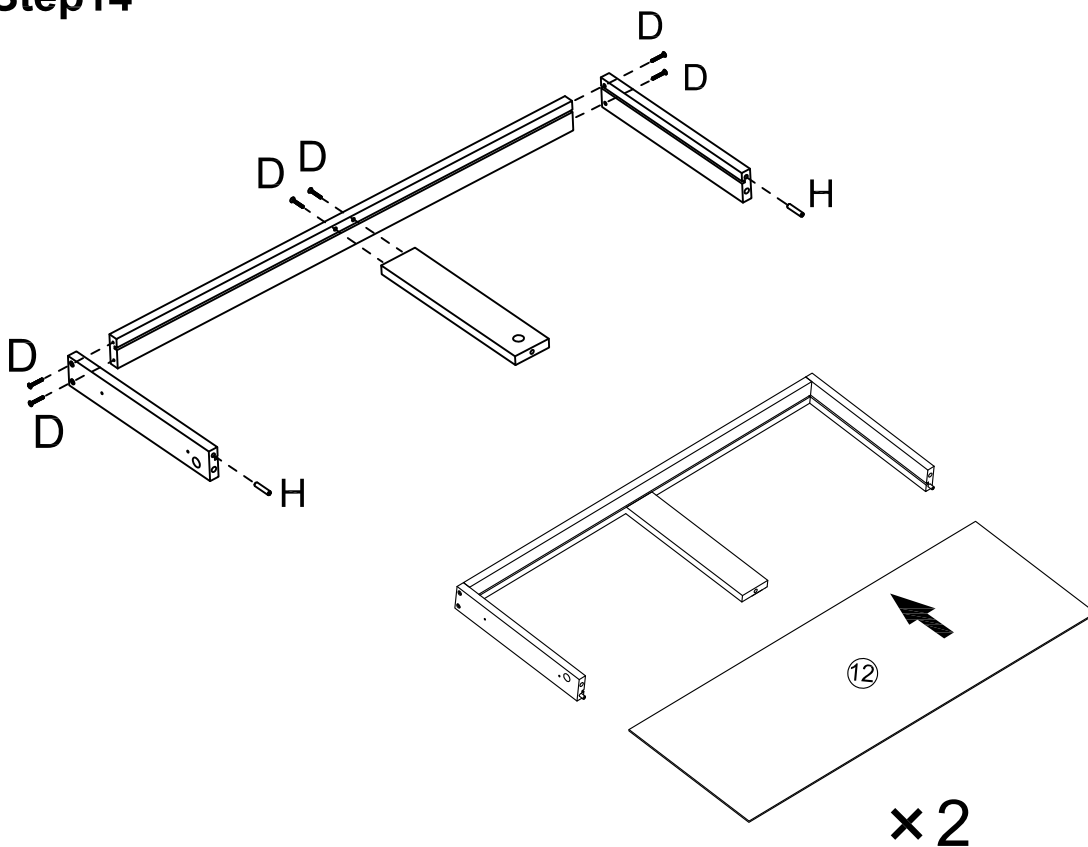


ASSEMBLY INSTRUCTION

Step13

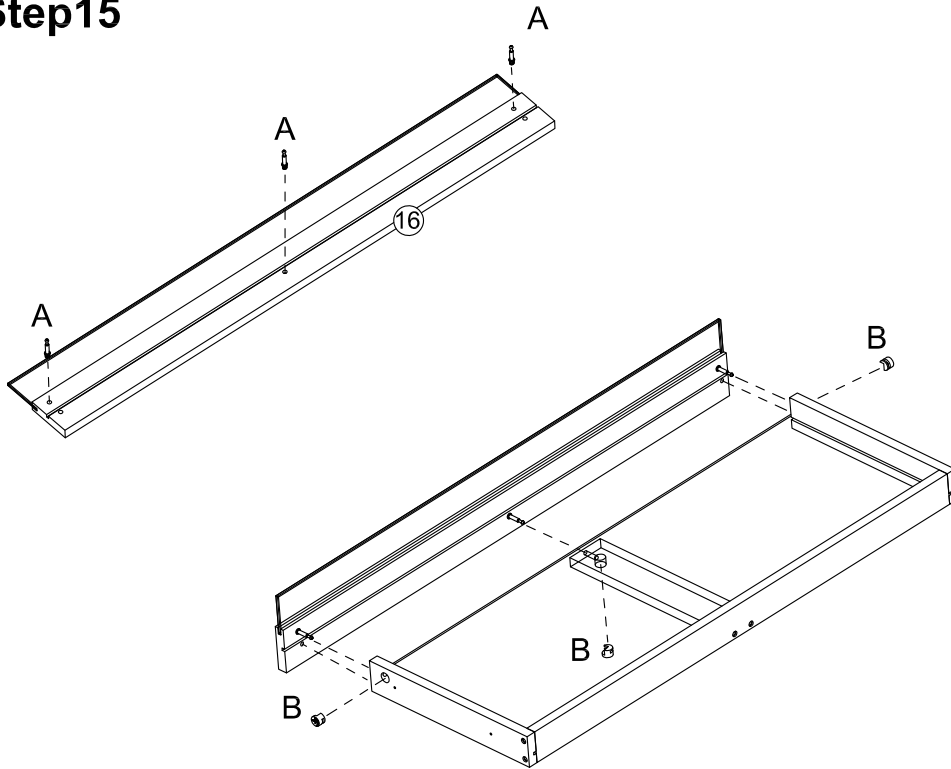


Step14

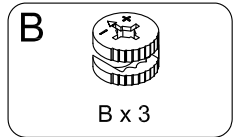
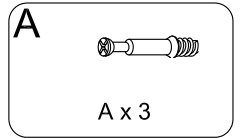
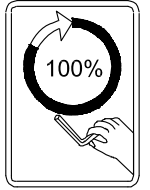


ASSEMBLY INSTRUCTION

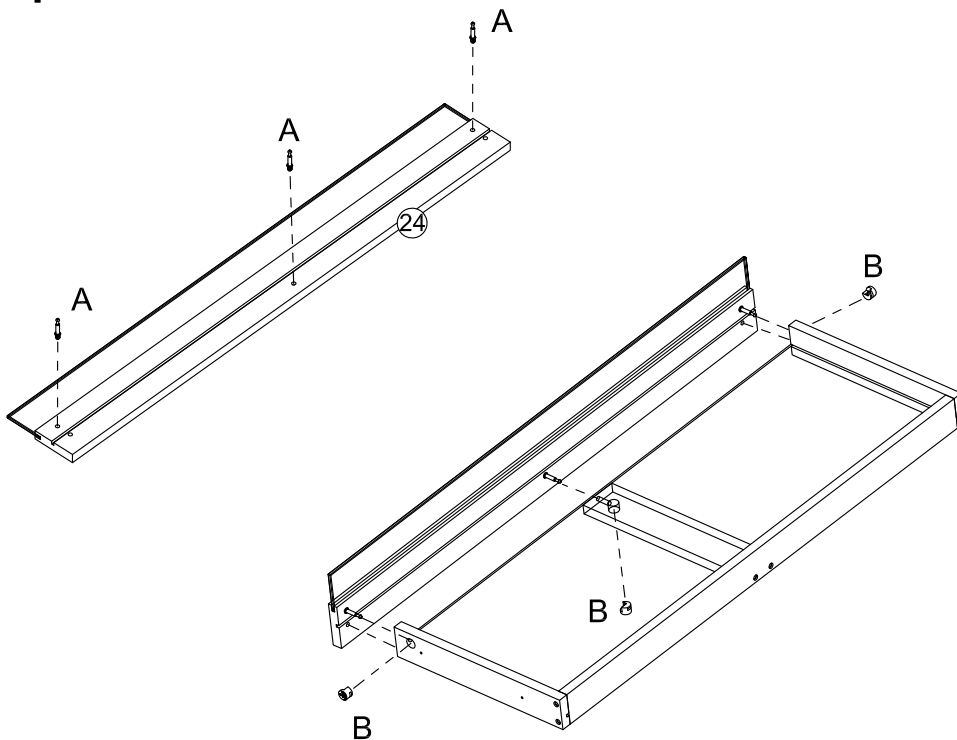
Step15



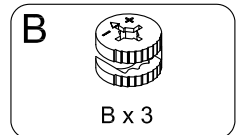
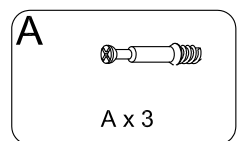
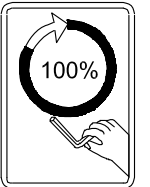
L



Step16

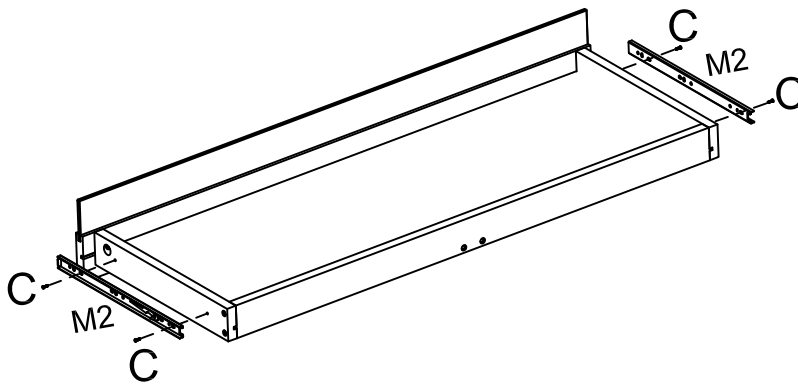
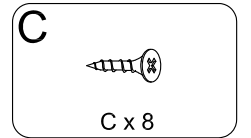
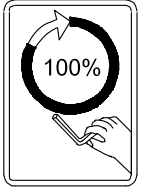


R



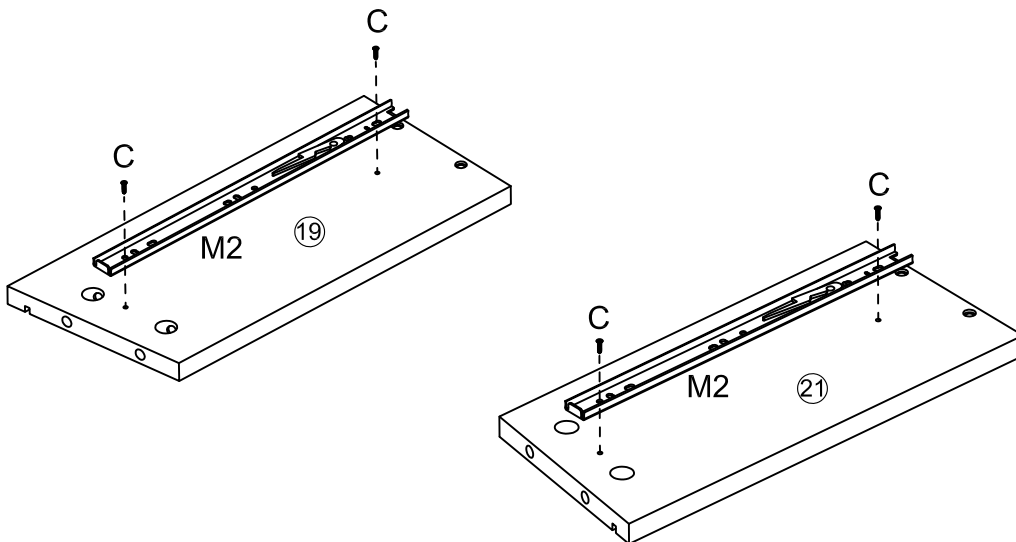
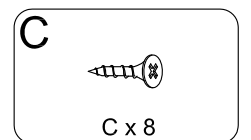
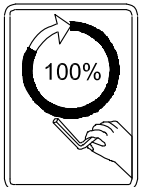
ASSEMBLY INSTRUCTION

Step17



× 2

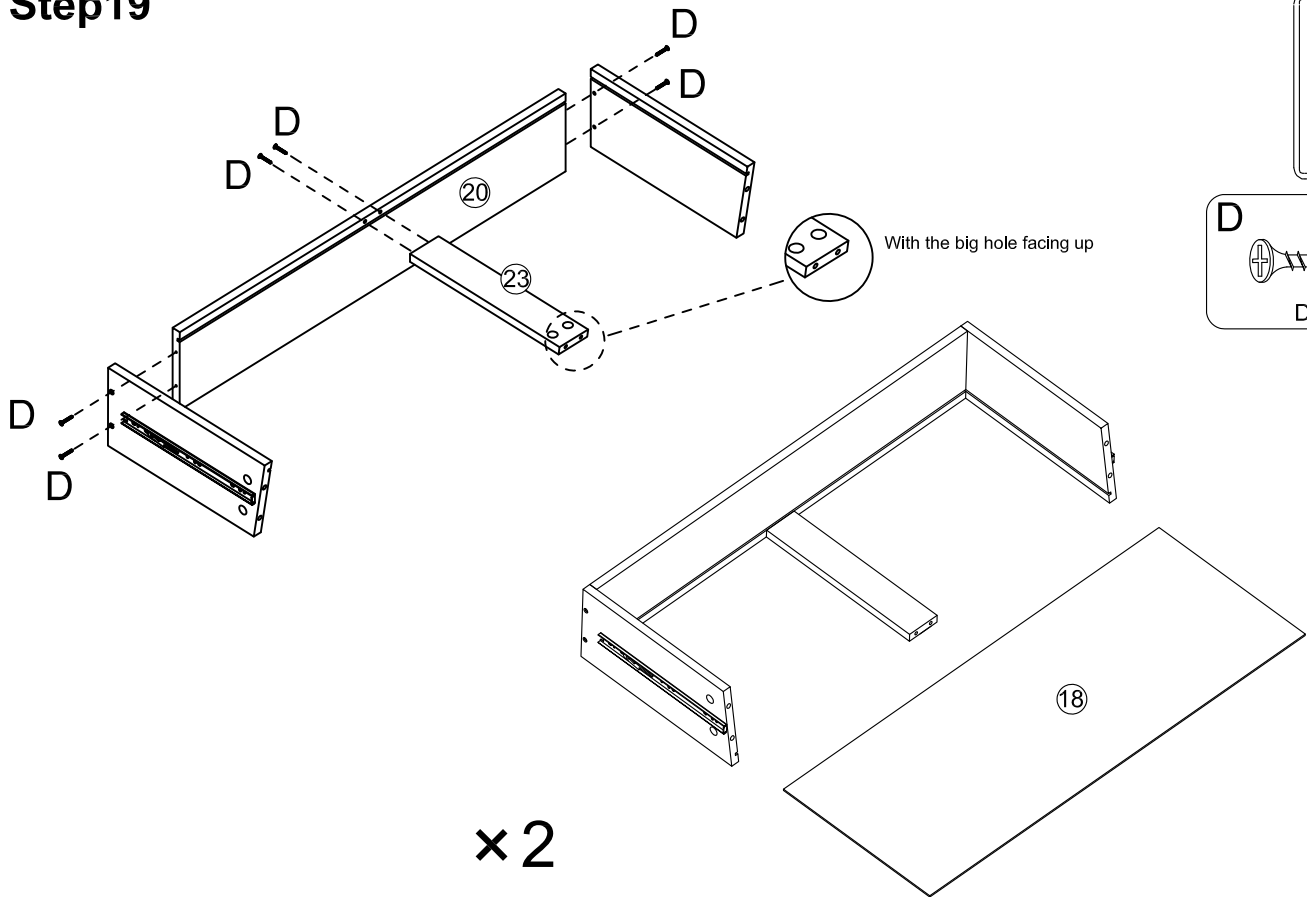
Step18



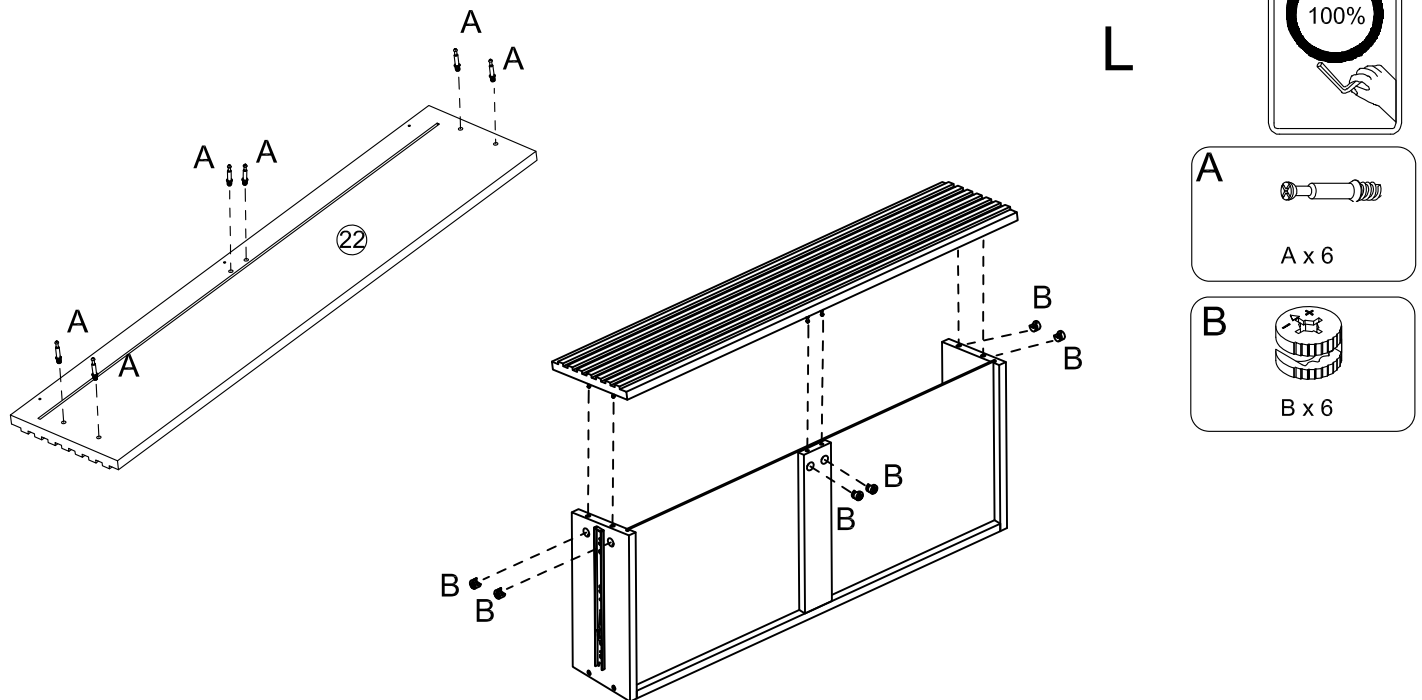
× 2

ASSEMBLY INSTRUCTION

Step19



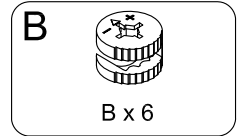
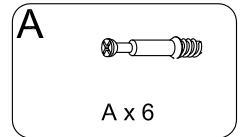
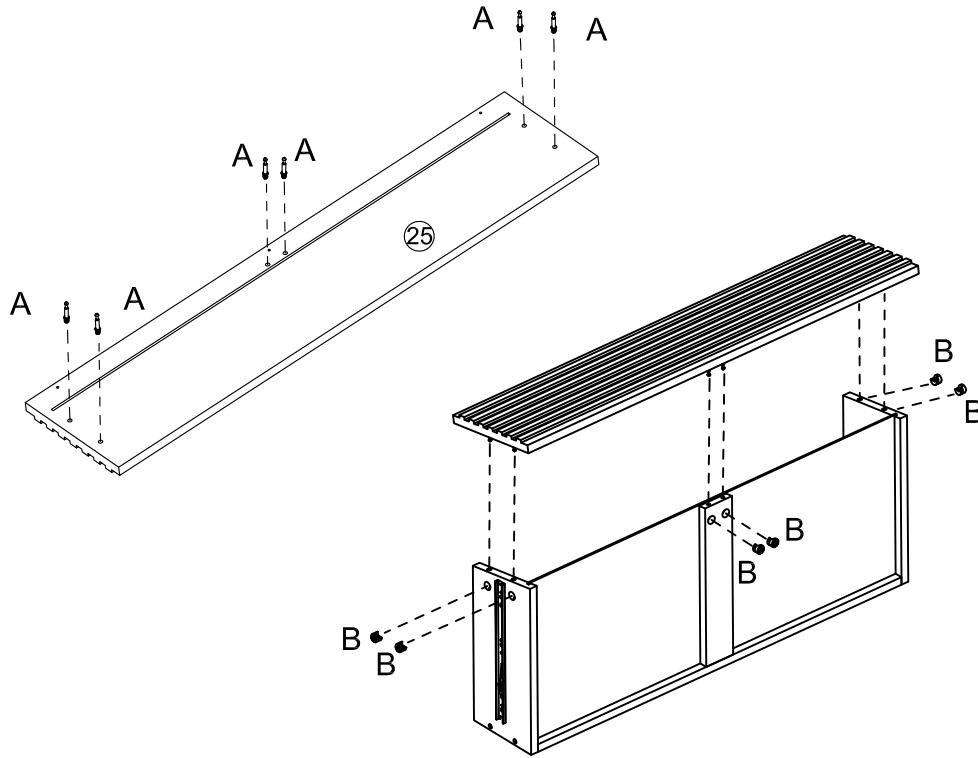
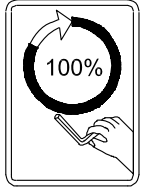
Step20



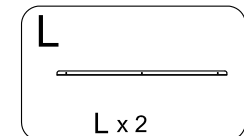
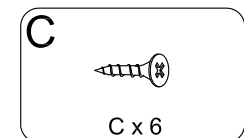
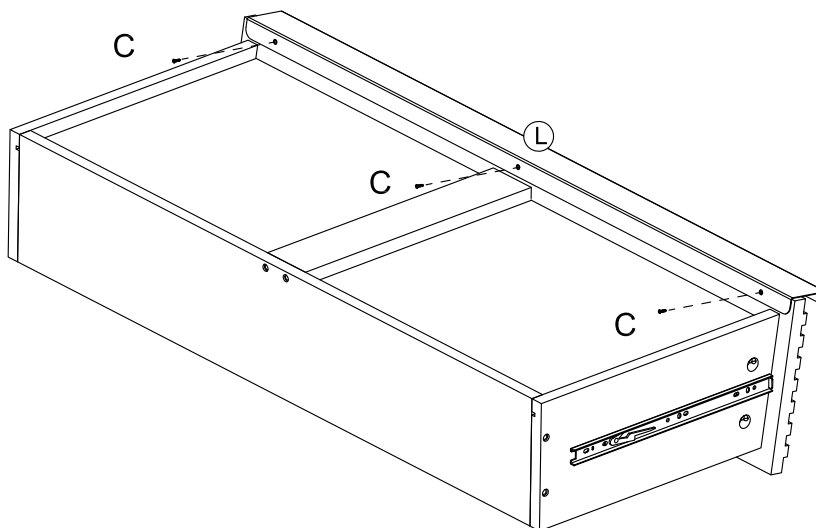
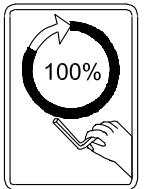
ASSEMBLY INSTRUCTION

Step21

R



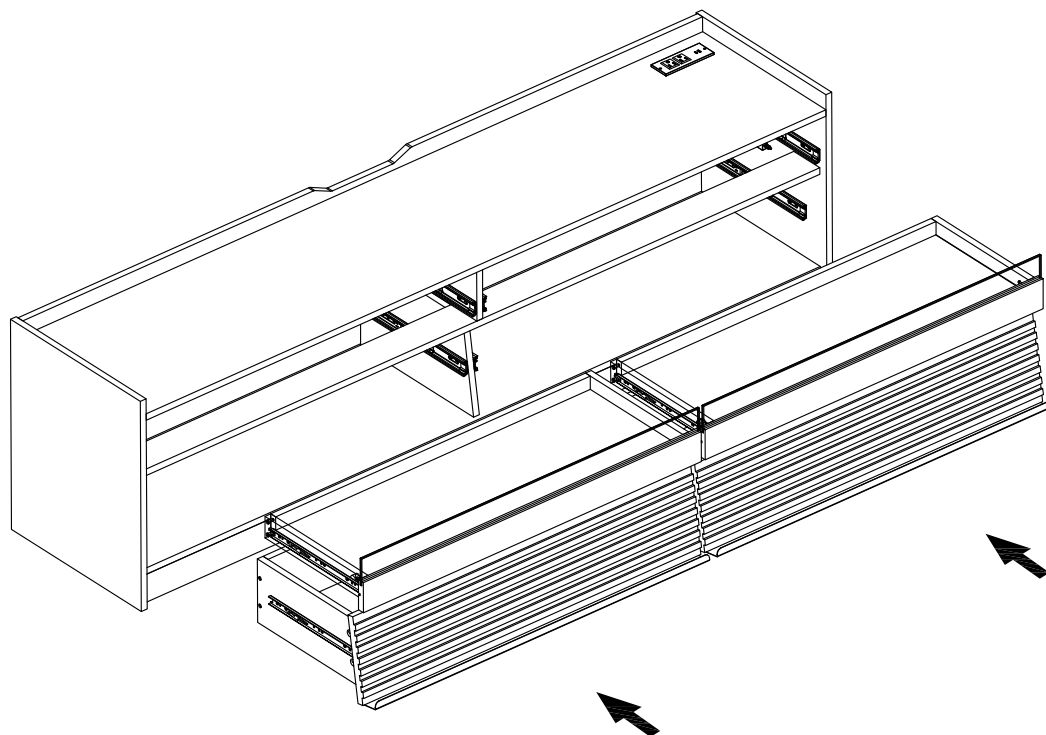
Step22



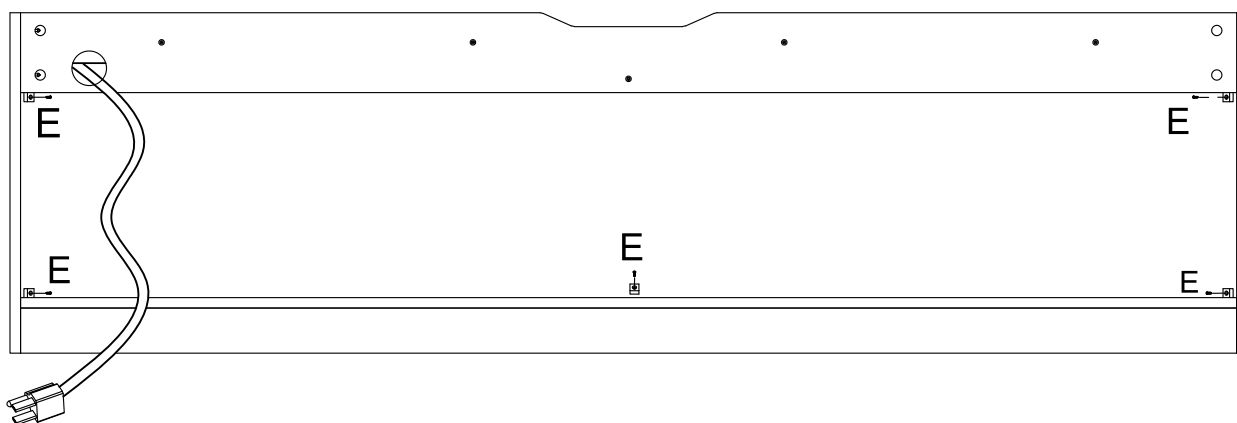
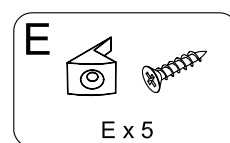
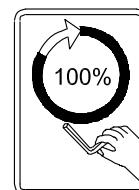
×2

ASSEMBLY INSTRUCTION

Step23



Step24



ASSEMBLY INSTRUCTION

Step25

