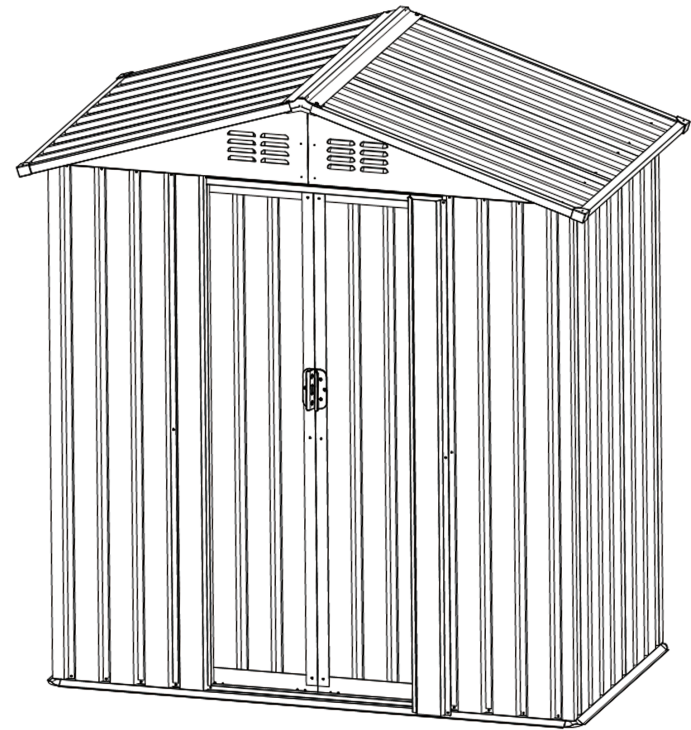
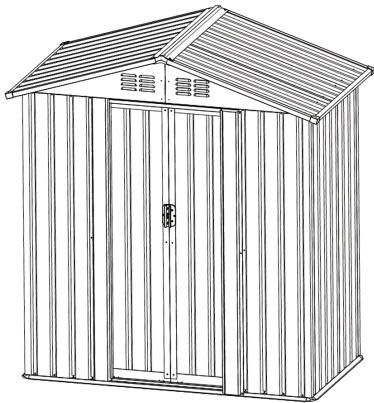


Metal Garden Shed

OWNER'S MANUAL

Size 5 Ft X 3 Ft



Tall walk in Shed

Quick & Easy Assembly

Ridge Reinforced walls

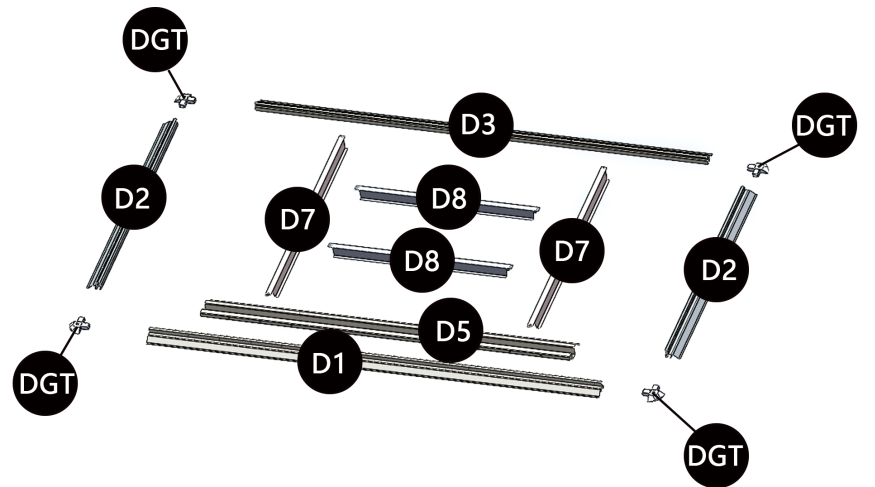
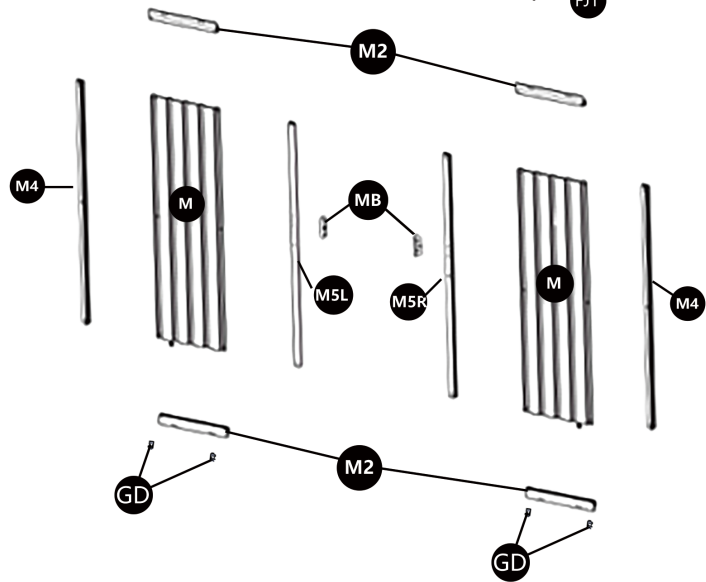
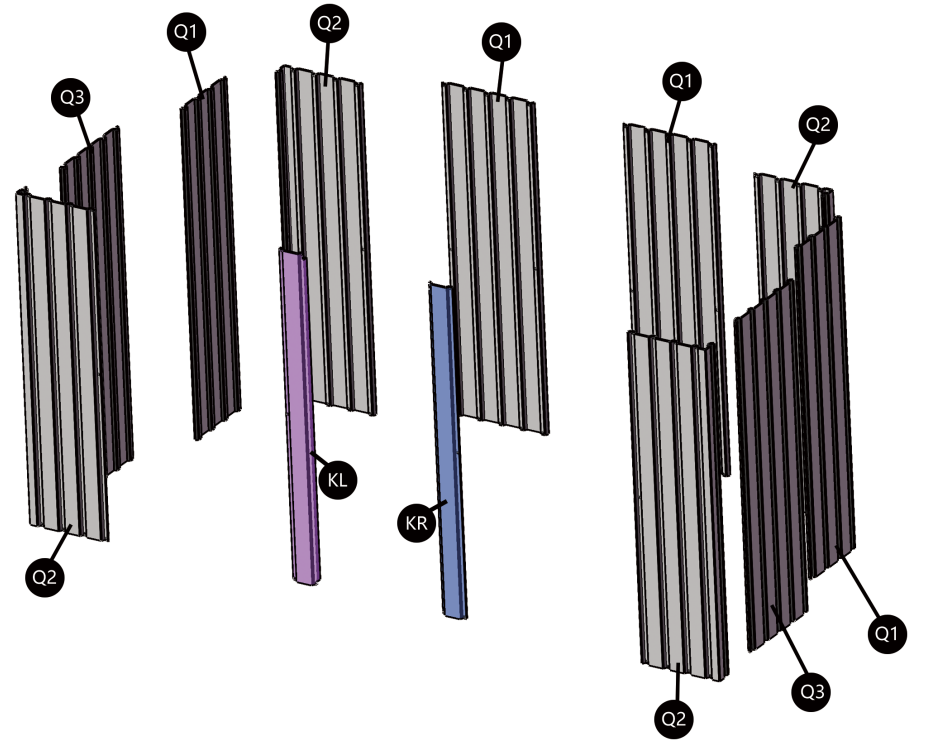
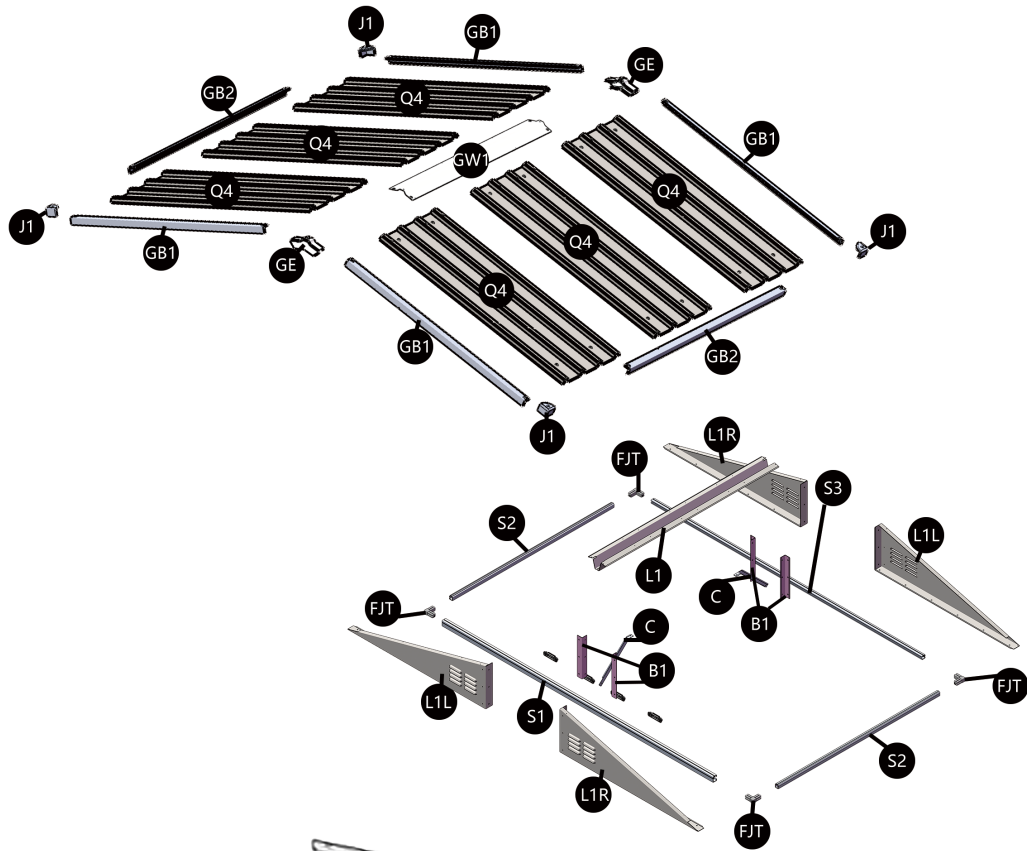
Wide Double Doors

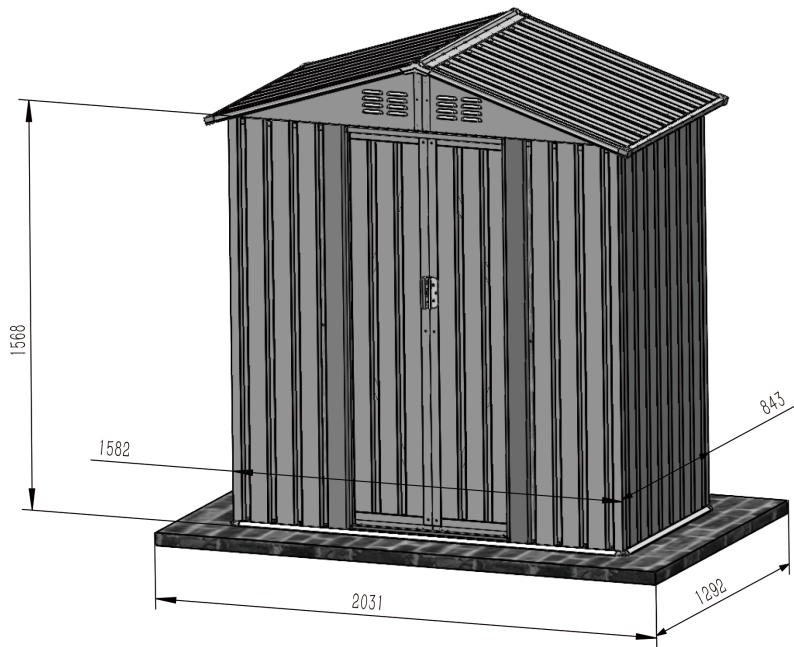
Available in Various Sizes

Take care of sharp edges;

Please wear gloves;

It will take 2 people 2 - 3 hours to install.

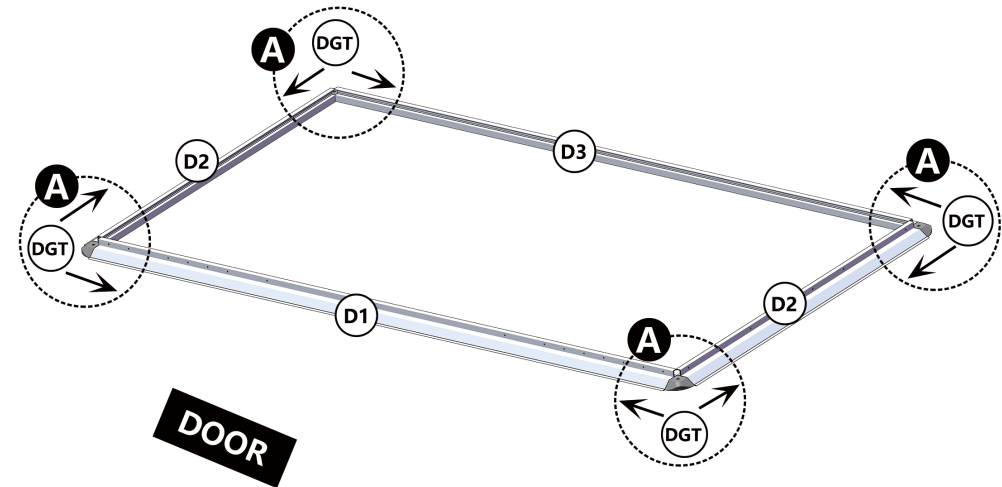




Note: Take care of sharp edges.

All panels are clearly marked and care should be taken to use the bcorrect one. It is important that these instructions are followed step by step.

NO.	PART	Qty.	NO.	PART	Qty.	NO.	PART	Qty.	NO.	PART	Qty.
D1		1	D3		1	F8		4	F1		8
D2		2	DGT		4	F14		8	Tip: All F14s are used with s crews. The following steps are not repeated.		



Notice:

DGT installation: Two ground pallets are connected to the DGT as shown in the figure.

Each DGT needs to be fixed with two F1s.

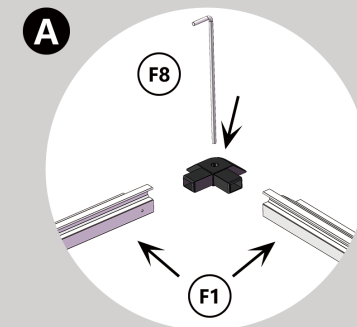
F8 installation: After the overall installation is complete, in the case of mud floor,

F8 is installed into the DGT hole, as shown in Figure 1.

Use expansion screws to install other floors.



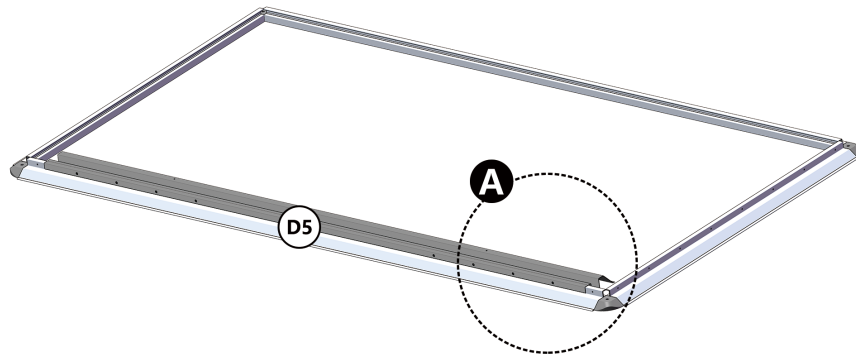
The installation space should be flat, and at least 2031x1292mm. The foundation is fixed on the ground in this space.





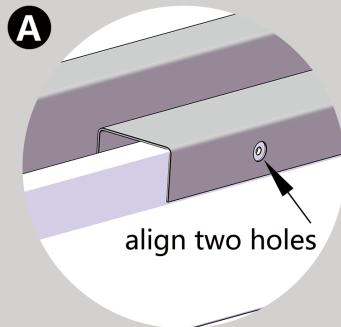
Note: Please wear gloves

NO.	PART	Qty.
D5		1



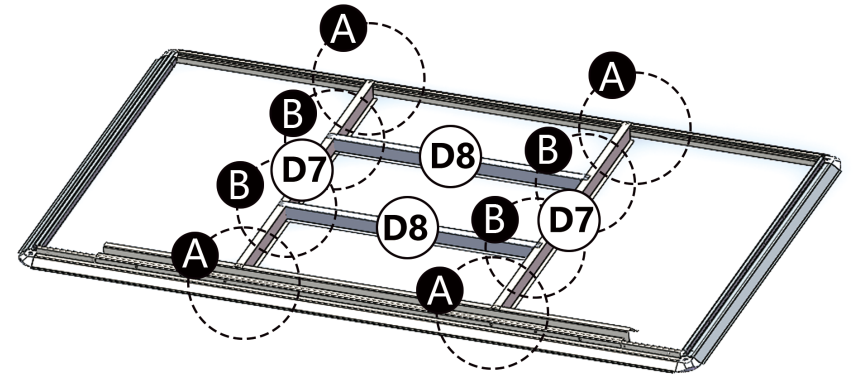
Notice:

You do not need to install screws in this step. Align the holes, which are the same as in the previous step.



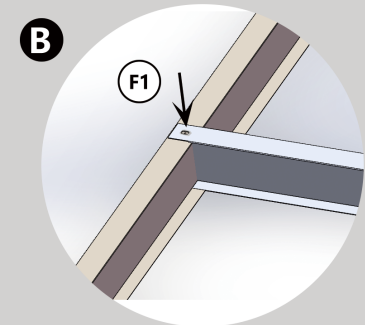
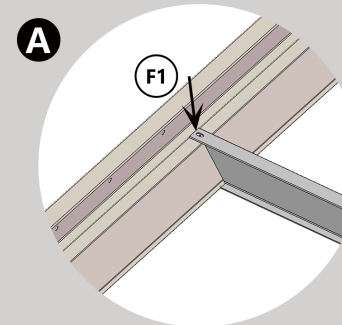
NO.	PART	Qty.
D7		2
F1		8



NO.	PART	Qty.
D8		2

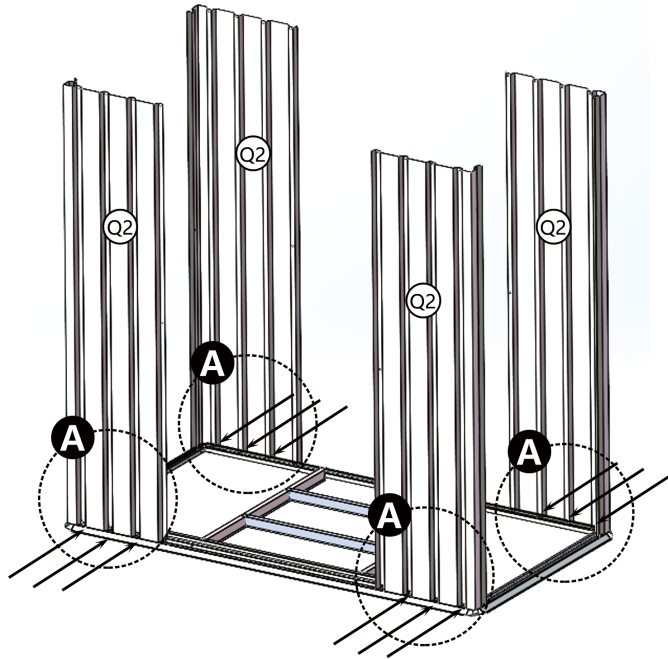


Notice:

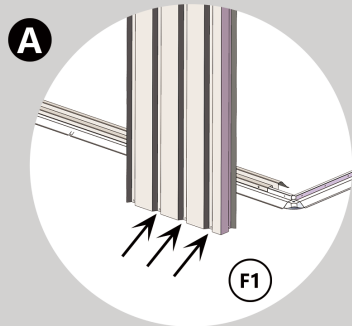
A:As shown in the picture, use F1 to fix both ends of D7 to the installed ground frame.
B:Place D8 atop D7, align the holes, then secure D8 to D7 using F1.





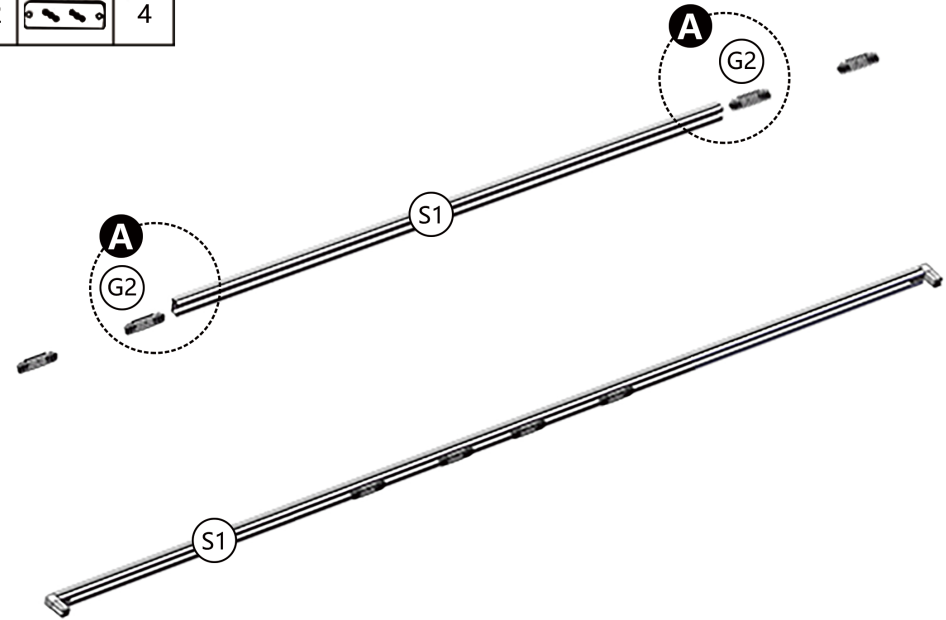
NO.	PART	Qty.
Q2		4
F1		12



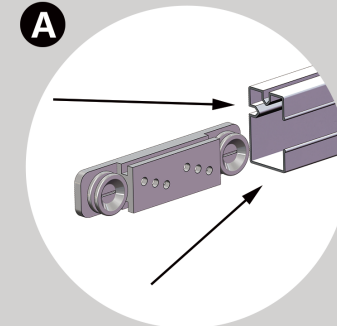
Notice:
 In this step, only the three holes in the middle of Q2 need to be installed and reserved on both sides.
 The reserved holes are shared with the following steps.

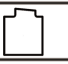





NO.	PART	Qty.
S1		1
G2		4

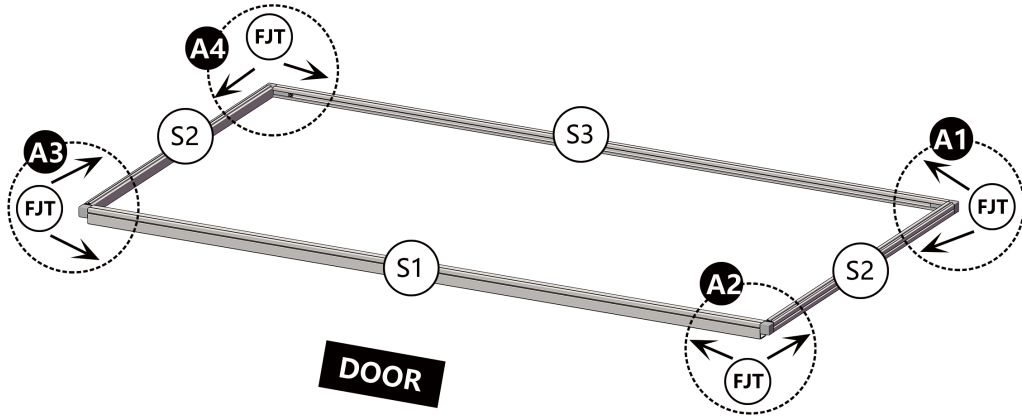
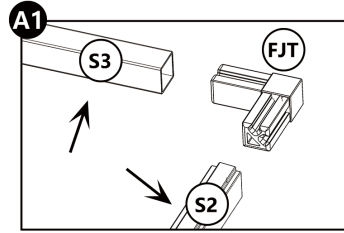
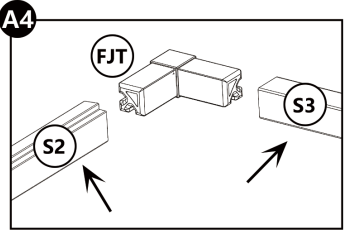


Notice:
 The G2 was placed on the S1, before shipping. If it slides out, follow step A to insert it.

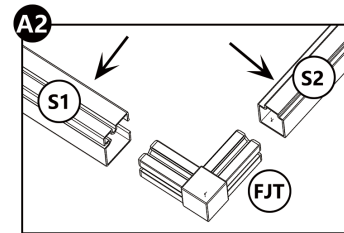
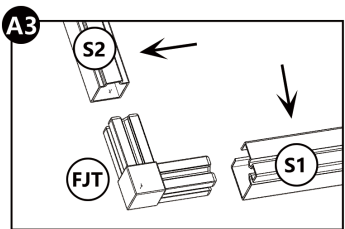



NO.	PART	Qty.
S2		2
S3		1

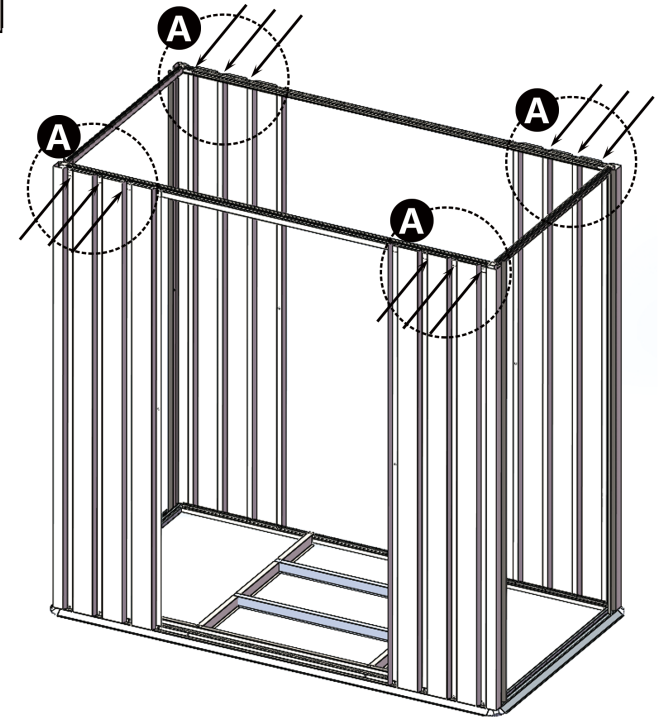
NO.	PART	Qty.
FJT		4
F1		8



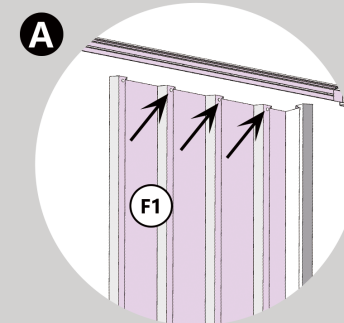
Notice:
FJT installation: Connect the two frames to the FJT as shown. Each FJT needs to be fixed with two F1s.
S1 has no fixed hole position.



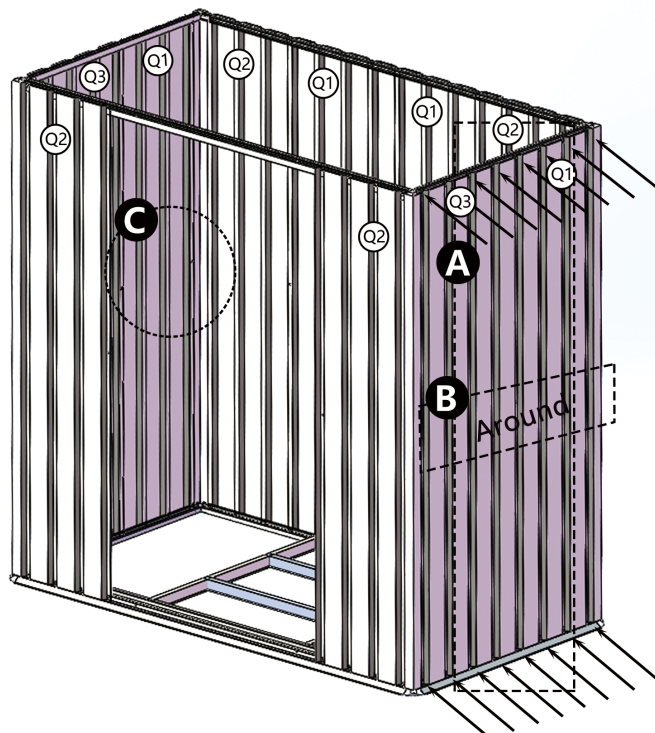
NO.	PART	Qty.
F1		12



Notice:
In this step, only the middle three holes need to be installed, and both sides need to be reserved.
The reserved hole is shared with other steps.
The walls are tiled on the outside and framed on the inside



NO.	PART	Qty.
Q1		4
Q3		2
F11		11
F1		62

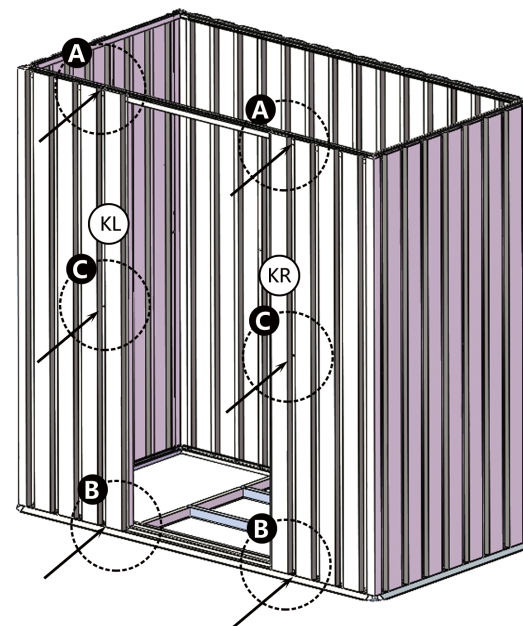


Notice:

As shown in the picture, assemble the wall tiles in turn, Q1\Q3, The top, middle and bottom of the wall tiles need to be screwed,

The upper and lower ends are fixed with F1, and the middle is fixed with F11.

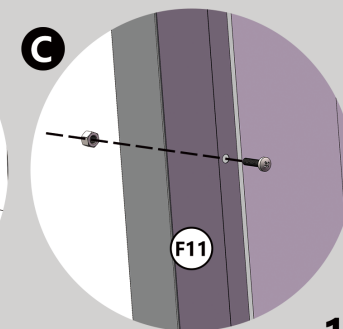
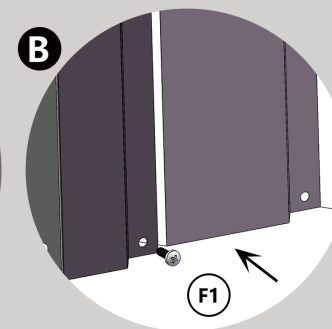
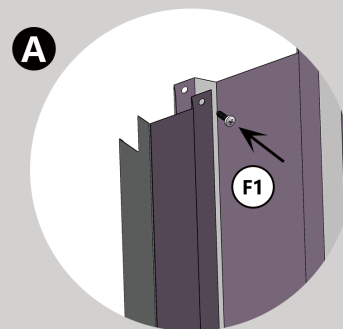
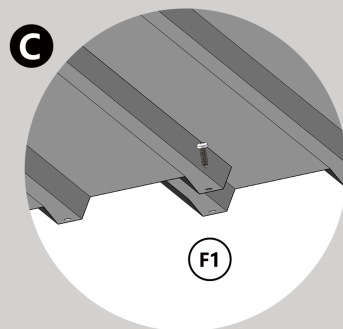
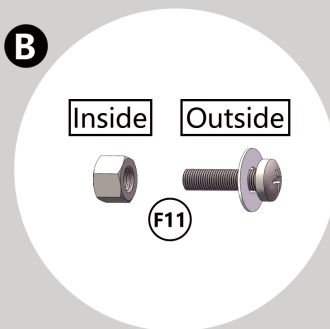
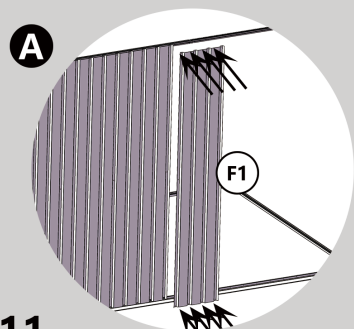
NO.	PART	Qty.
KL		1
KR		1
F1		4
F11		2



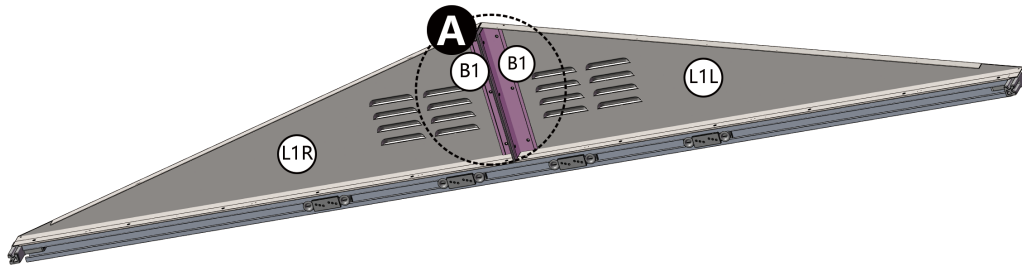
Notice:

As shown in the picture, the steps of door frame and wall tile installation are the same. The upper, middle and lower parts of KR and KL need screws.

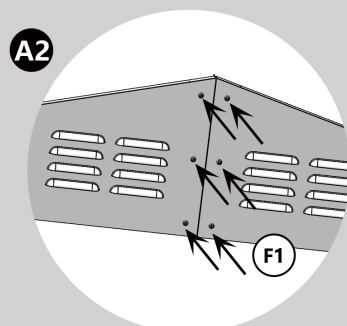
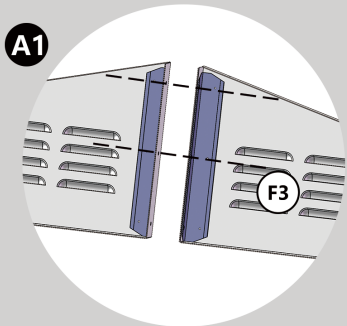
The upper and lower ends are fixed with F1, and the middle is fixed with F11.



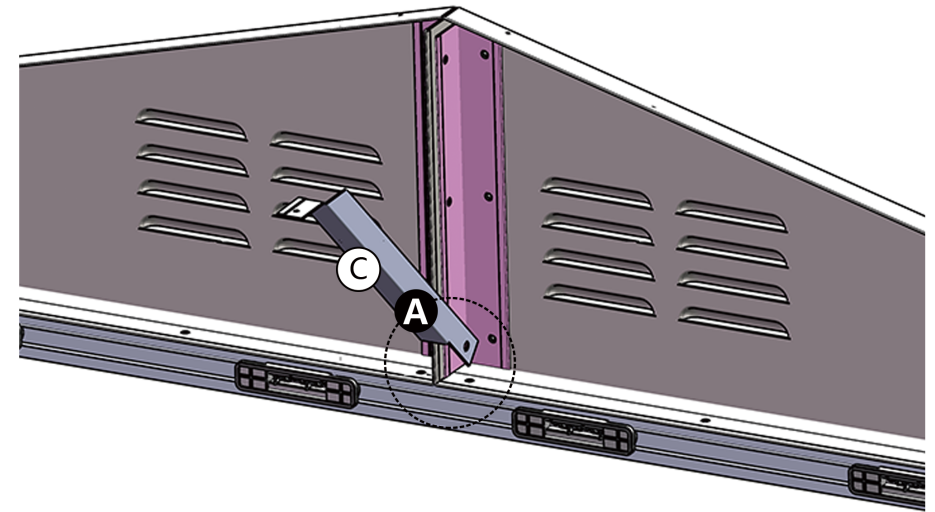
NO.	PART	Qty.	NO.	PART	Qty.
B1		4	F3		6
L1L		2	F1		12
L1R		2			



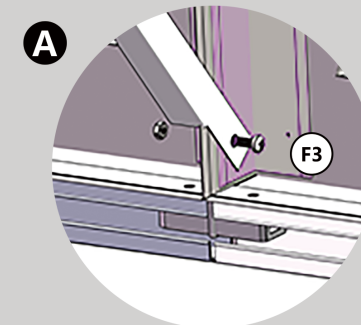
Notice:
 B1 has holes on both sides, and the large holes are 2 B1s, L1R and L1L connected together.
 There are 2 B1s connected to L1R and L1L respectively.




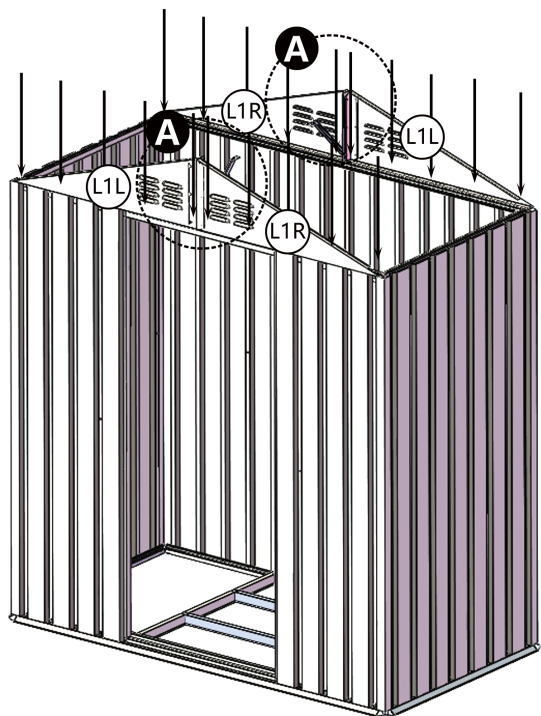
NO.	PART	Qty.
C		2
F3		1




Notice:
 Connect C with 2 B1s, L1L, and L1R and fix them with F3;
 After completing step A, bend the other end of C about 45° and connect it to the bottom of L1

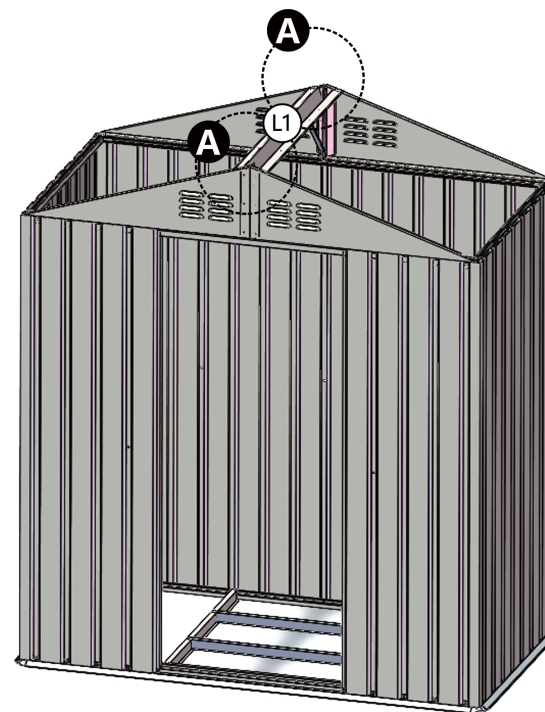


NO.	PART	Qty.
F1		20

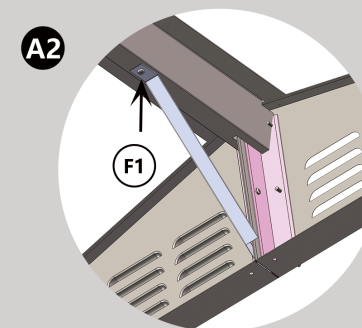
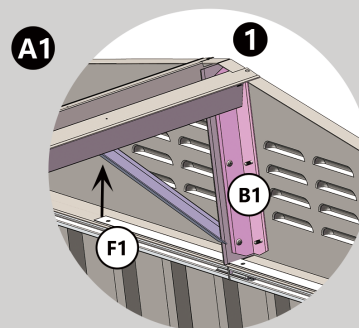
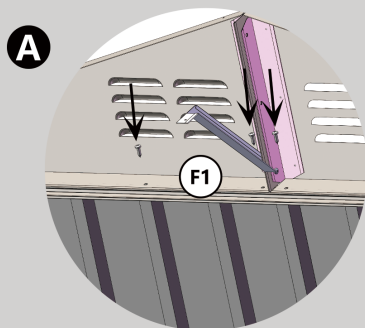




Notice:
The assembled roof support parts are successively installed on the wall tiles with F1

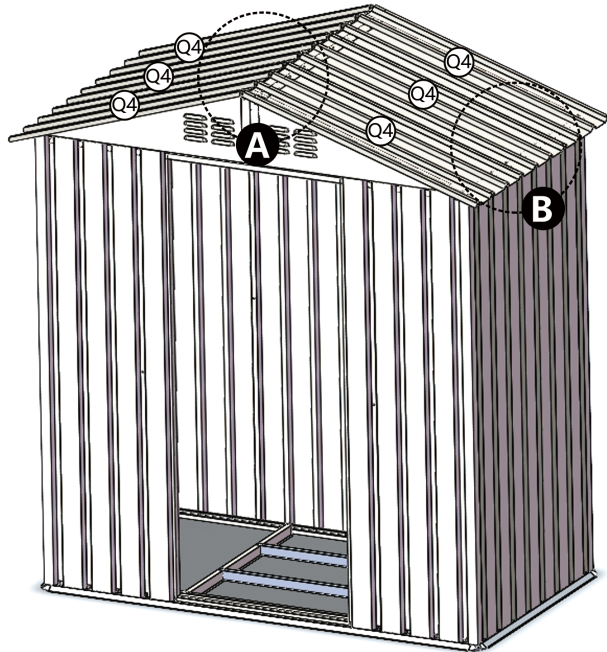
NO.	PART	Qty.
L1		1



Notice:
Put L1 on L1R and L1L. Position 1 needs to be temporarily installed. This hole is shared with Q4.
To install Q4 needs to be removed and re-fixed. The other end of C needs to be connected to the L1 hole.

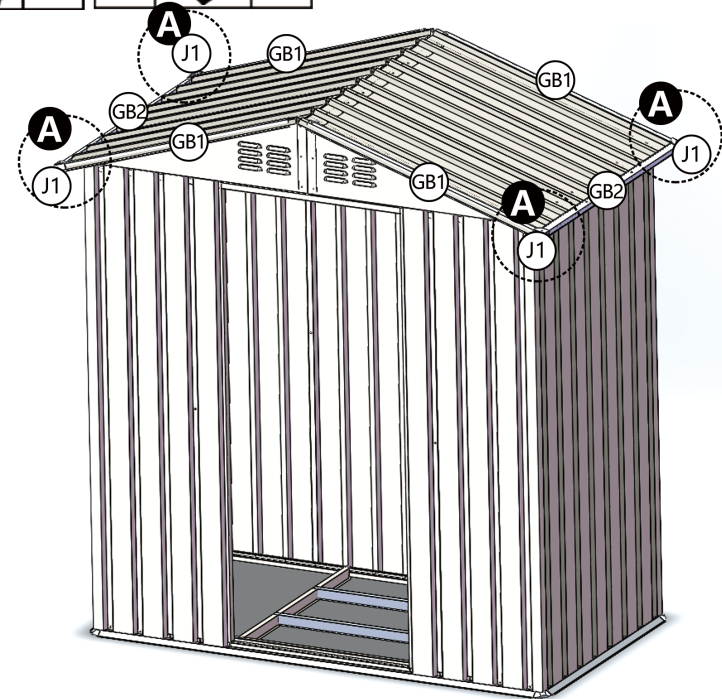


NO.	PART	Qty.
Q4		6
F1		24

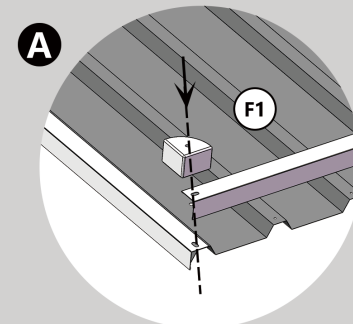
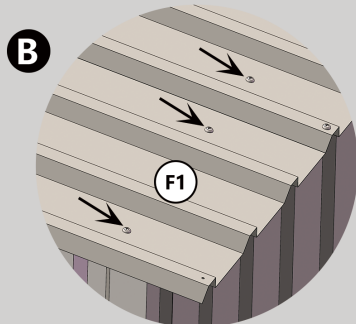
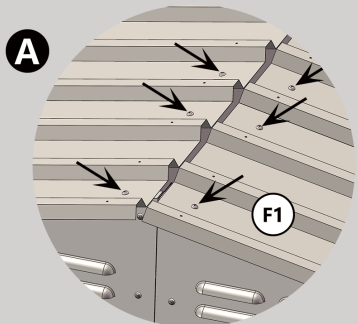





Notice:
Install Q4 in sequence, overlap between every 2 pieces, and each Q4 needs 2 rows of F1 fixed.

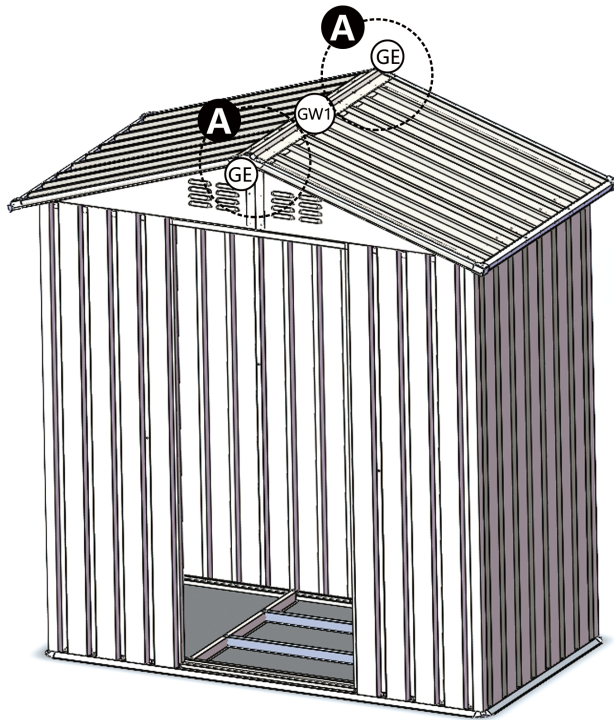
NO.	PART	Qty.	NO.	PART	Qty.
GB1		4	F1		4
GB2		2	J1		4



Notice:
As shown in the picture, fix GB1 and GB2 with F1 on the edge,
The four corners GB1, GB2, J1 share the hole position.



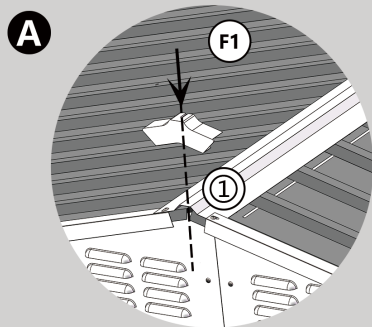
NO.	PART	Qty.
GW1		1
GE		2
F1		2













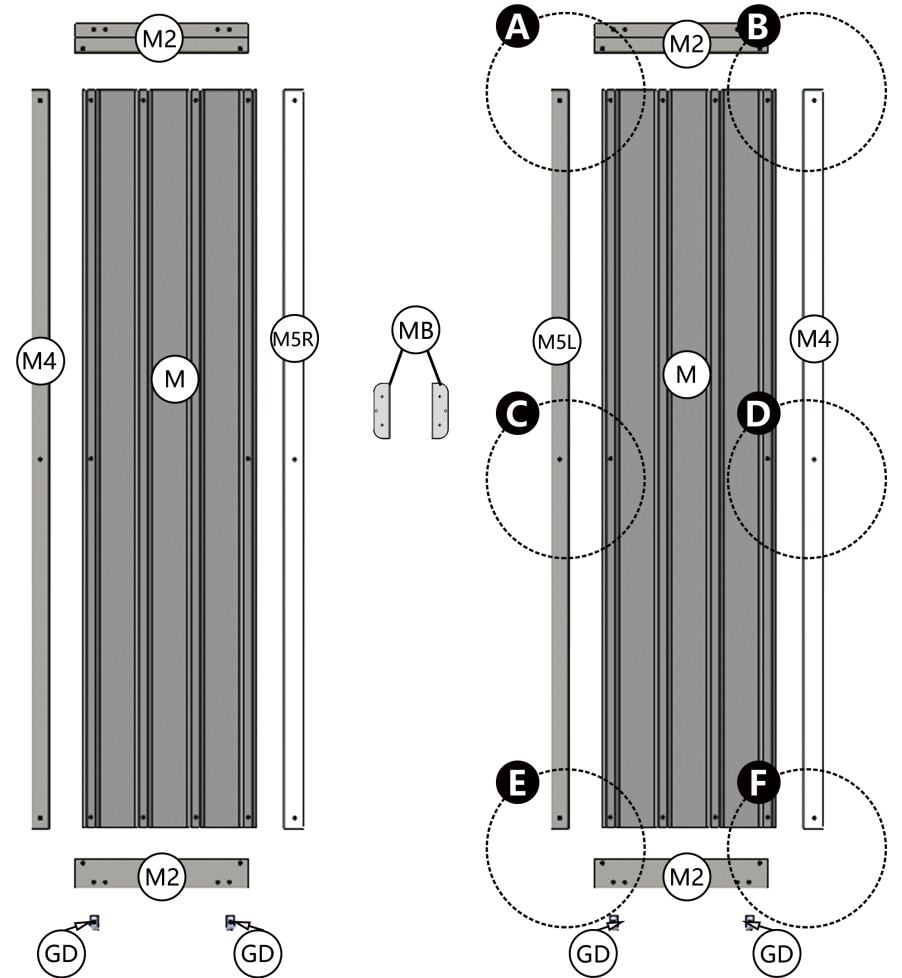
Notice:

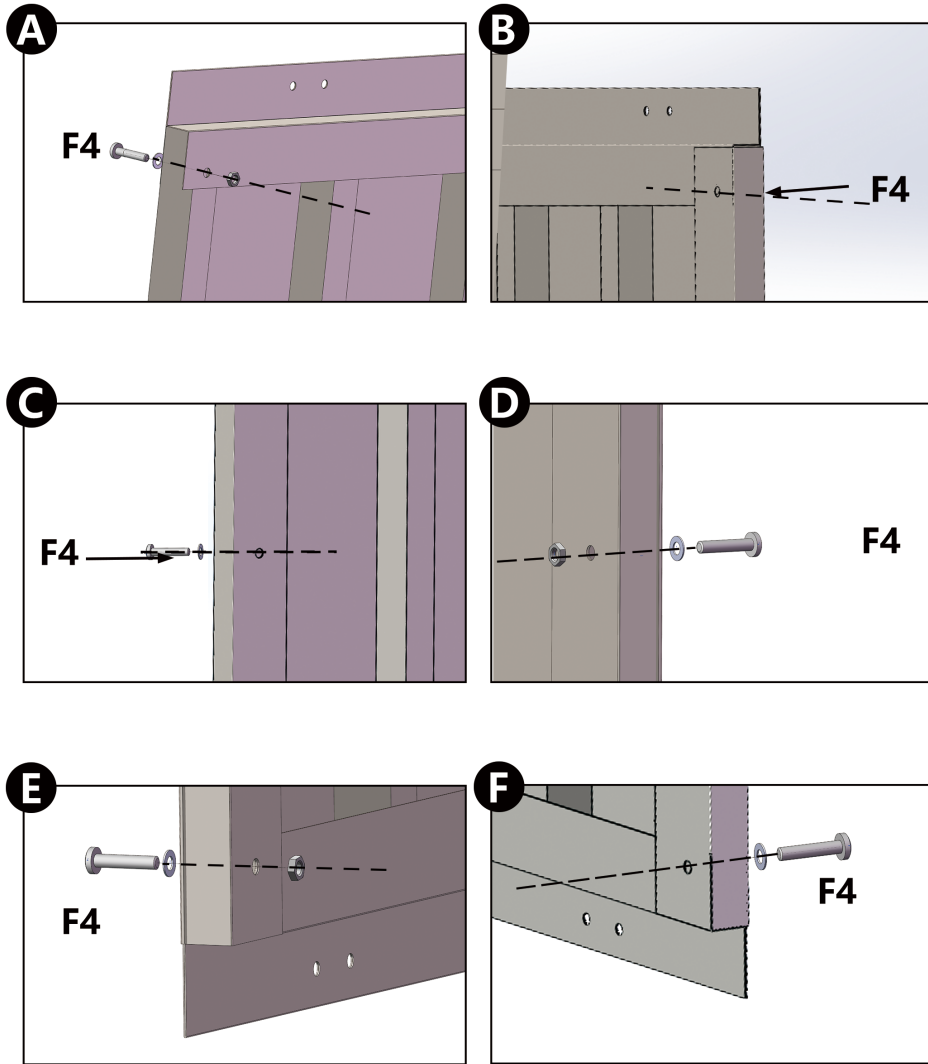
Put the GW1 on the roof, install it with the GE, and fasten it at both ends with F1.

① Description :GW1, Q4, GB1 share side holes.

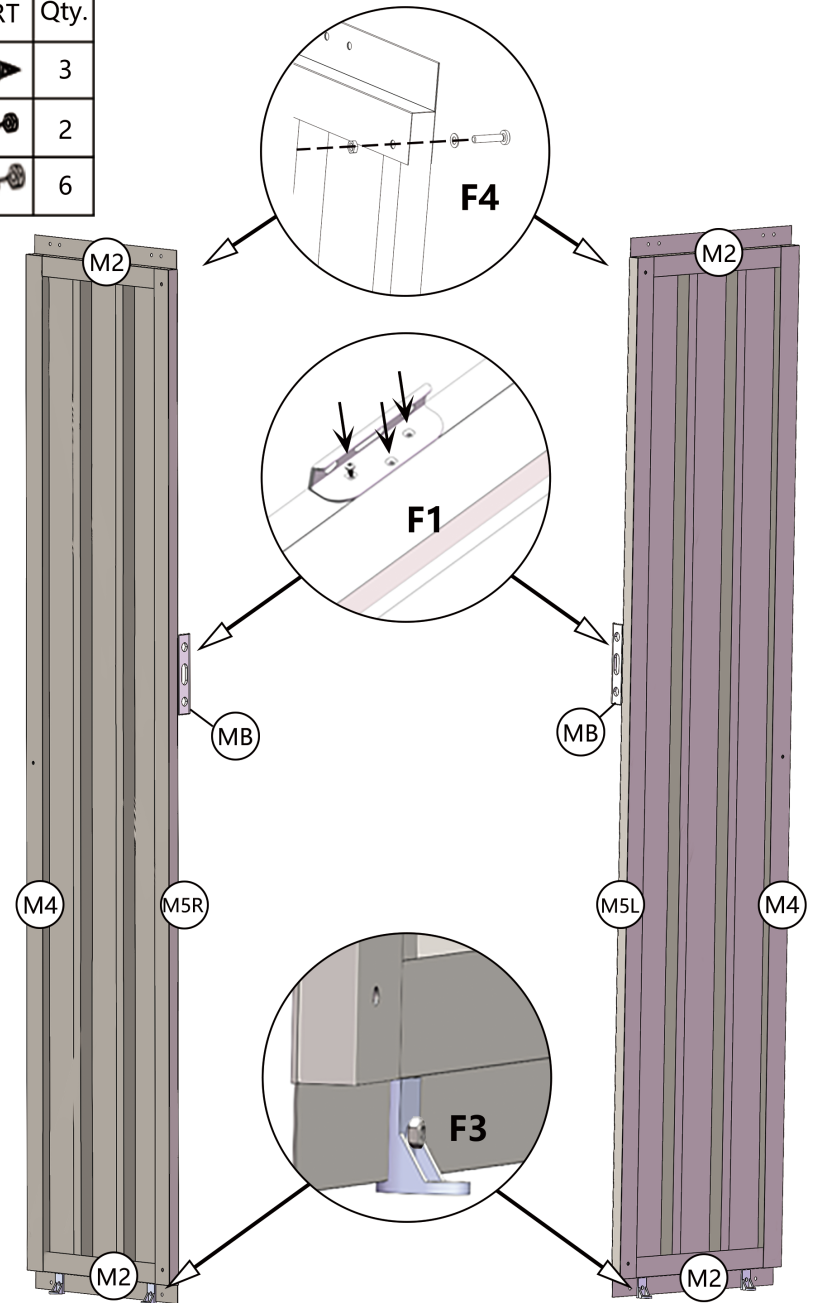



NO.	PART	Qty.	NO.	PART	Qty.	NO.	PART	Qty.	NO.	PART	Qty.
M2		4	M5L		1	M		2	F3		4
M4		2	M5R		1	GD		4			
MB		2	F4		12	F1		6			

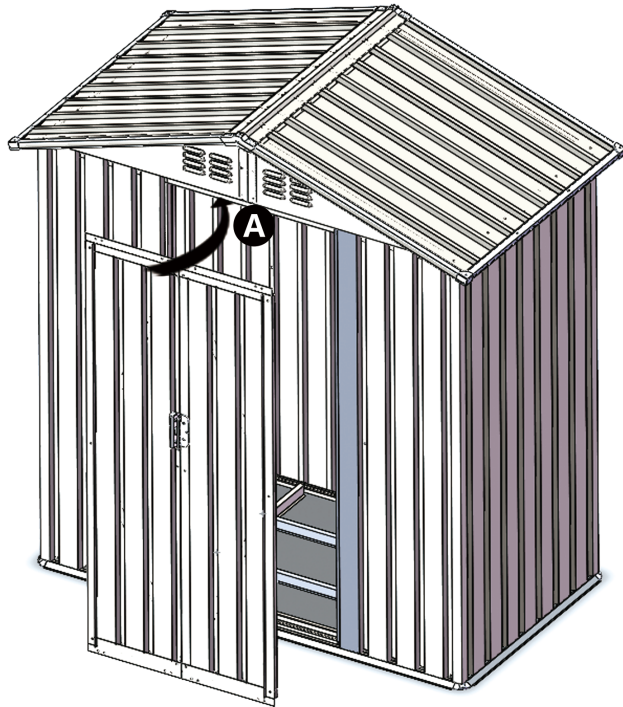




NO.	PART	Qty.
F1		3
F3		2
F4		6



NO.	PART	Qty.
F1		8



Notice:

Use F1 to secure the installed door to the pulley

The adjustment of the door can be achieved by the three holes of the pulley being at different heights

