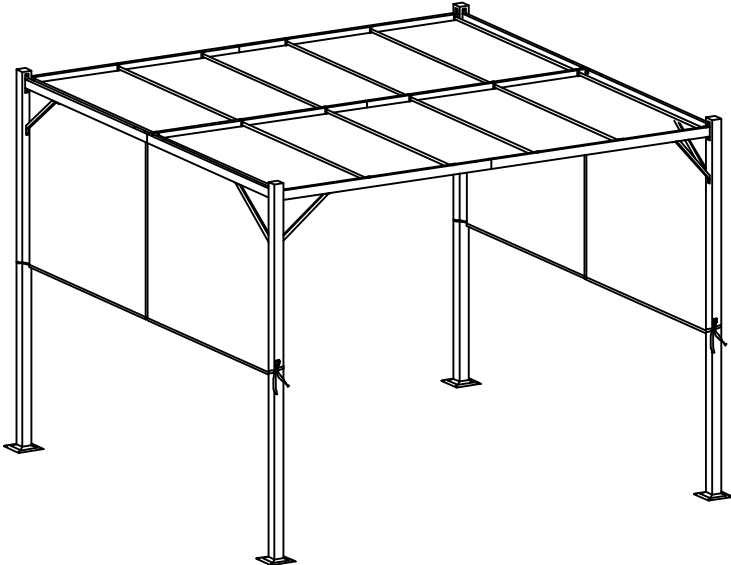
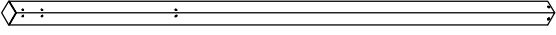

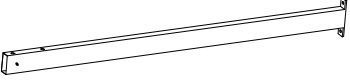
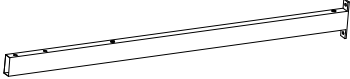




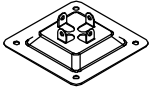

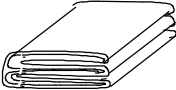

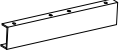
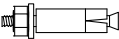
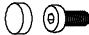



ASSEMBLY INSTRUCTIONS OF GAZEBO



Parts list

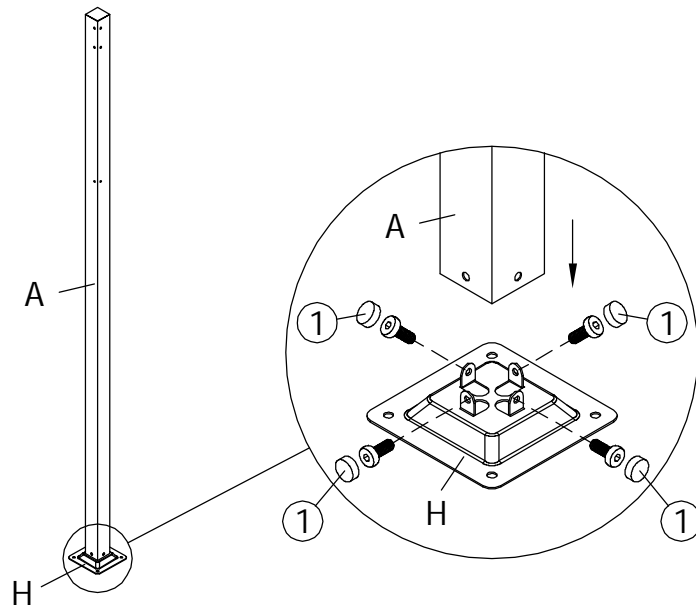
 <p>A x 4PCS</p>		 <p>B x 2PCS</p>	
 <p>B1 x 2PCS</p>		 <p>C x 4PCS</p>	
 <p>D x 2PCS</p>		 <p>E x 12PCS</p>	
 <p>F x 4PCS</p>		 <p>G x 8PCS</p>	
 <p>H x 4PCS</p>	 <p>I x 8PCS</p>	 <p>J x 1PC</p>	 <p>L x 1PC</p>
 <p>M x 5PCS</p>	 <p>N x 8PCS</p>	 <p>M6x15mm ① x 84PCS</p>	 <p>M6x20mm ② x 6PCS</p>

Note: This gazebo is meant to be used for decorative and sunshade purposes only and is not
 Mean to withstand any elements of the weather.

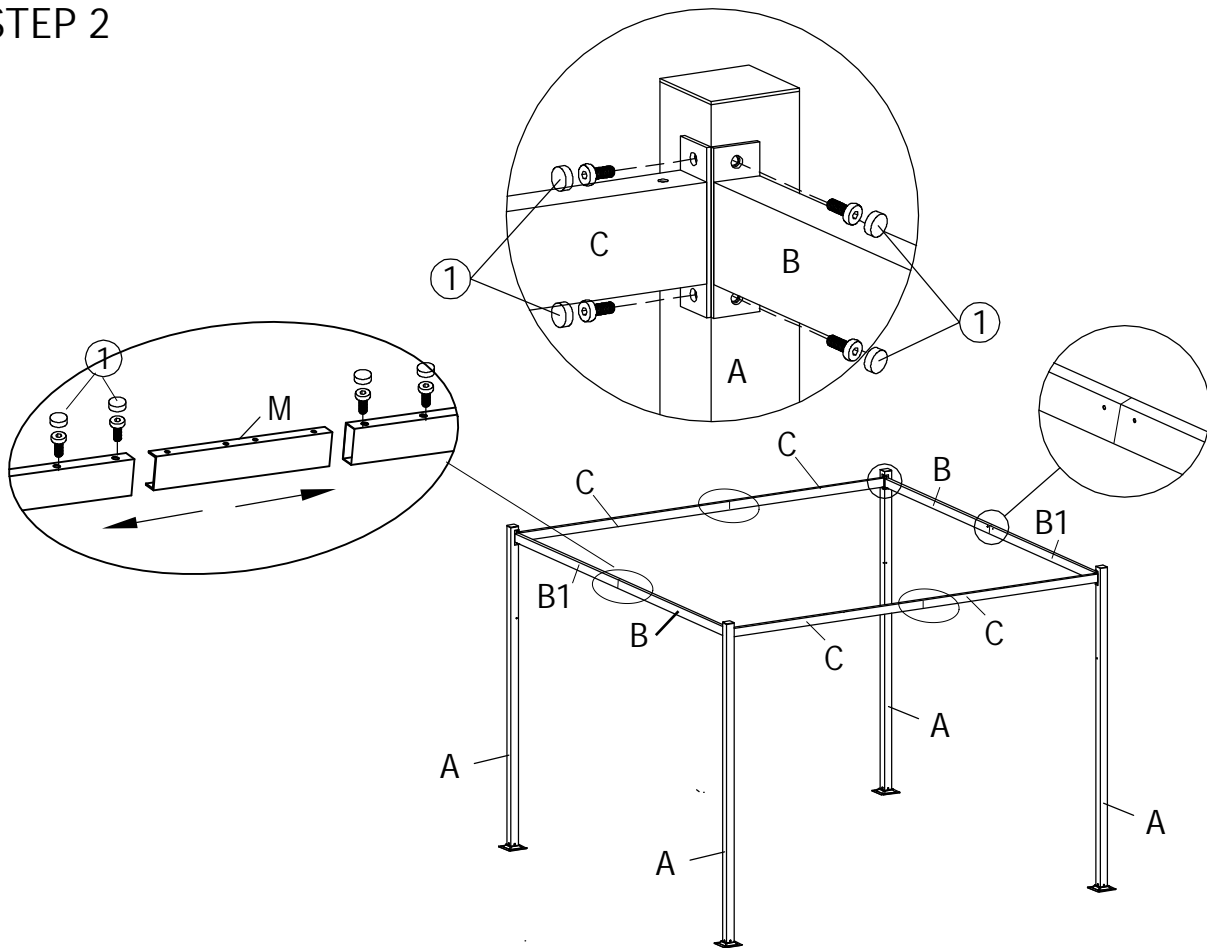
Please read these instructions carefully before starting assembly.

- 1). Do not cook underneath gazebo.
- 2). Do not ignite fireworks underneath gazebo.
- 3). Please keep the parts list, it could be useful to reorder some parts for service if necessary.

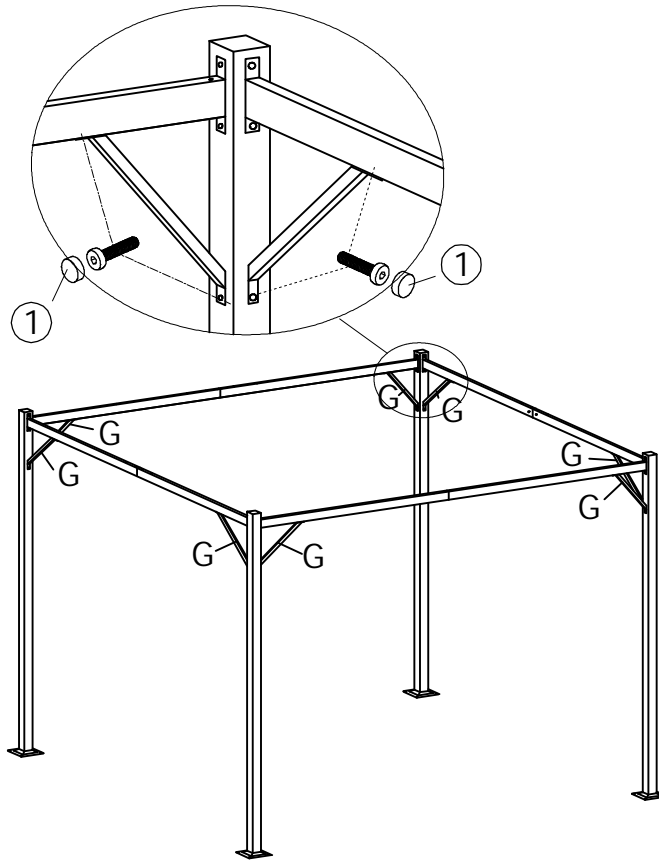
STEP 1



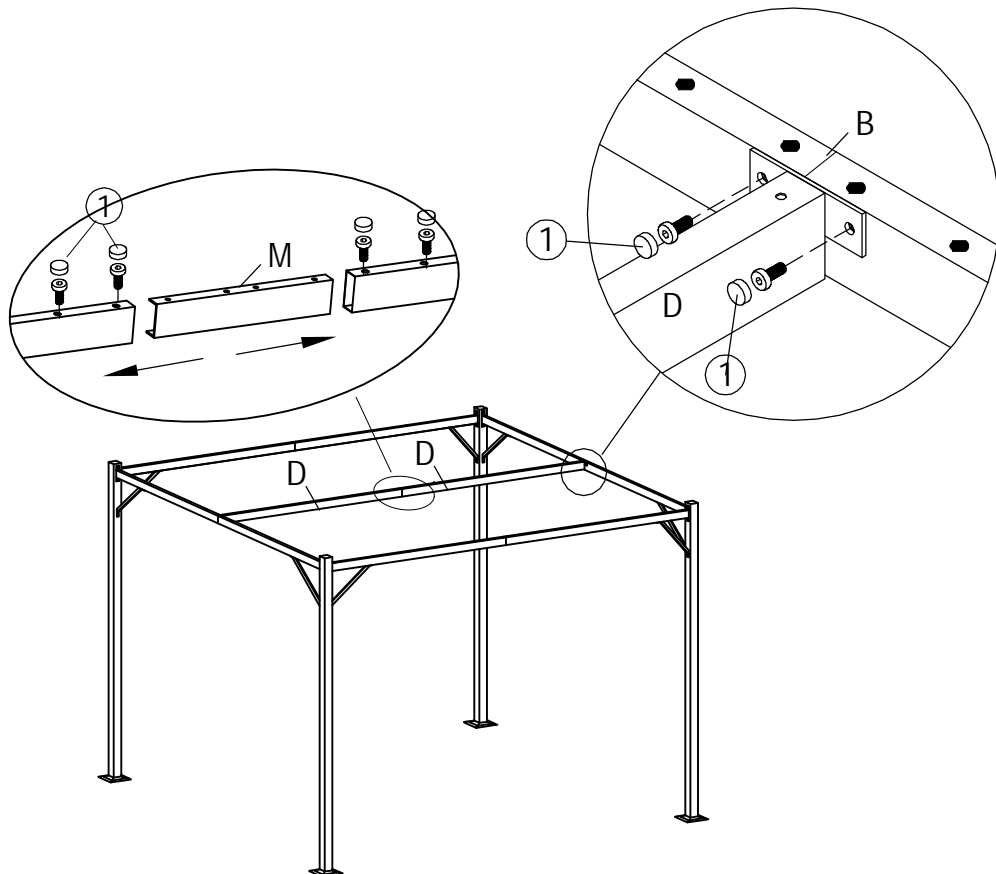
STEP 2

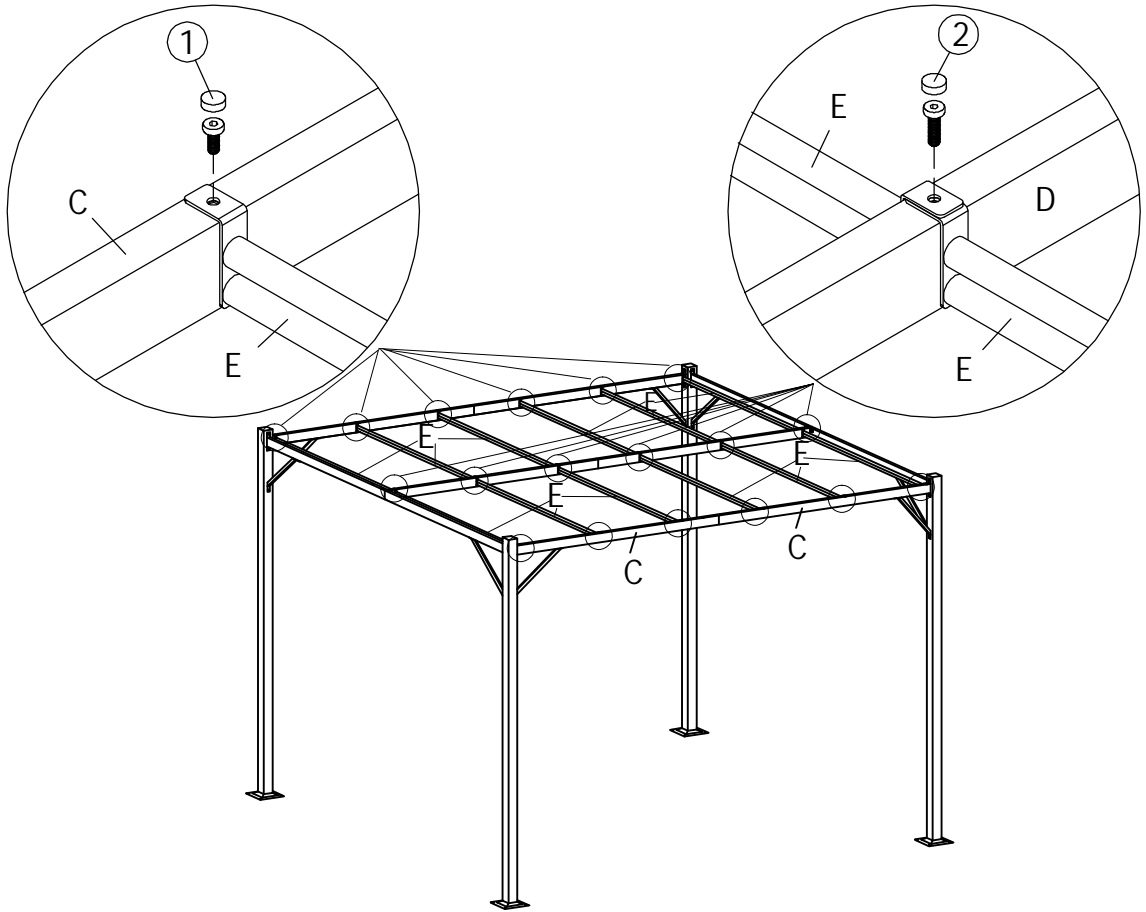


STEP 3

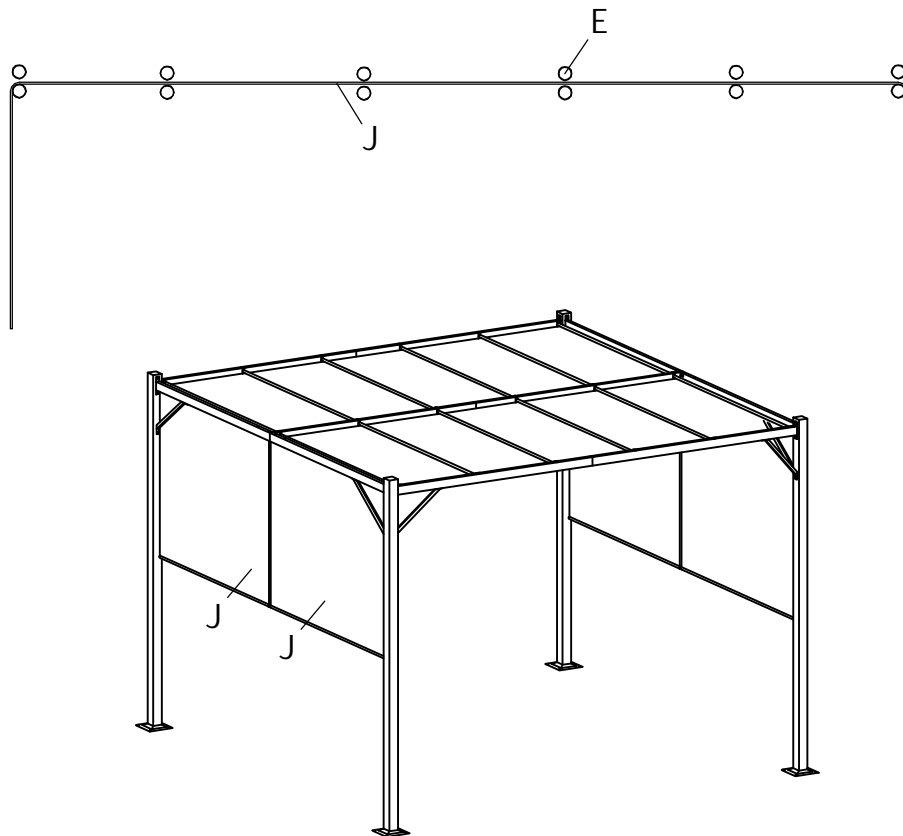


STEP 4





STEP 6



STEP 7

