

ULTRA PRESSURE BALANCE VALVE

Pressure Balance Valve and Rough Assembly UFP-PBV7

STANDARD SPECIFICATIONS

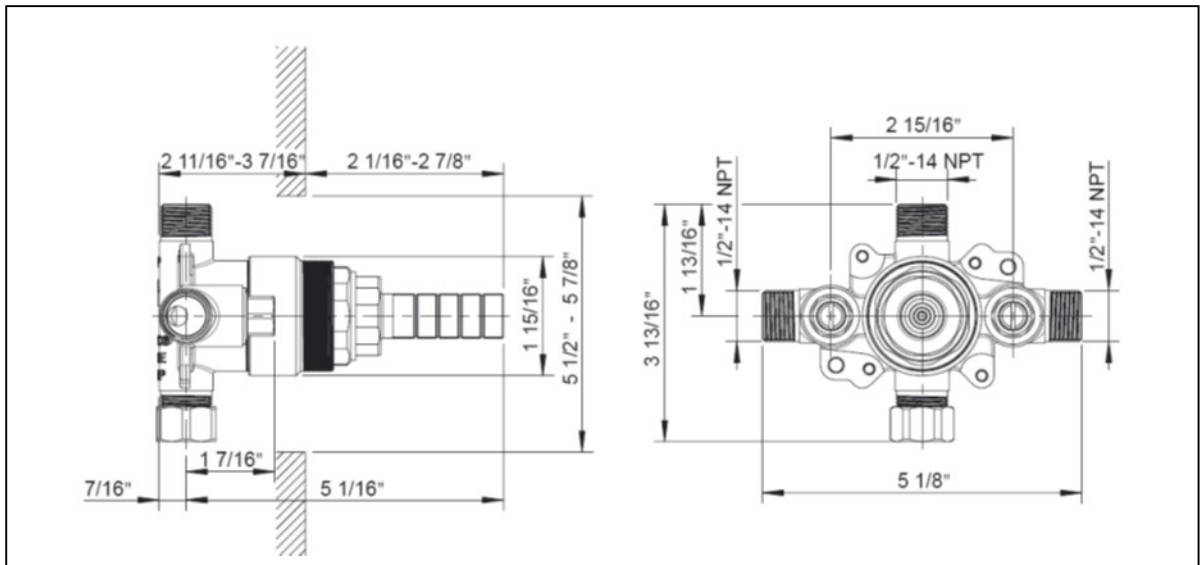
- Ceramic disc cartridge
- Forged brass valve body
- Built-in check valves
- Built-in stop valves
- 1/2" CC and IPS connections

WARRANTY

- Limited lifetime warranty on workmanship and materials to the original purchaser

COMPLIES WITH

- NSF 61-9
- ASME A112.18.1
- CSA B125.1
- cUPC



tel. 888-OK-ULTRA (658-5872) • fax. 949-252-9989 • <http://www.ultrafaucets.com>

This specification is provided for reference only. Ultra Faucets reserves the right to modify specifications and materials without notice or obligation.



Tub and Shower Trim

- **NitaCollection**
- **Single-Handle Tub and Shower Trim**

STANDARD SPECIFICATIONS

- Metal handle and escutcheon with Zinc spout
- Requires pressure balance valve model # UFP-PBV7 or UFP-PBV5
- 4" diameter 5-function shower head (full spray, massage, aerator, massage+full spray, aerator+full spray)
- Tub spout diverter
- 1/2" threaded tub spout
- 6" Shower arm length
- Flow rate: 1.8gpm @ 80psi shower
- Finishes: Polished Chrome / PVD Brushed Nickel / Oil Rubbed Bronze / Matte Black



FINISHES INCLUDE

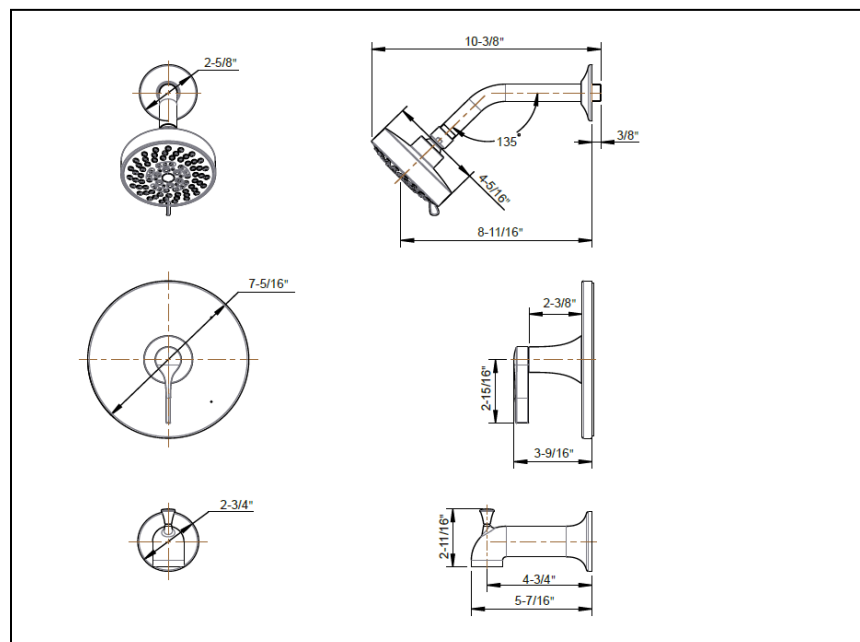
- Chrome(UF79700)
- PVD Brushed Nickel(UF79703)
- Oil Rubbed Bronze(UF79705)
- Matte Black(UF79707)

WARRANTY

- Limited lifetime warranty on workmanship and materials to the original purchaser

COMPLIES WITH

- NSF 61-9
- ASME A112.18.1
- CSA B125.1
- IAPMO/UPC/cUPC
- AB1953



tel. 888-OK-ULTRA (658-5872) • fax. 949-225-6099 • <http://www.ultrafaucets.com>

This specification is provided for reference only. Ultra Faucets reserves the right to modify specifications and materials without notice or obligation.