

BED/BUNKS

SAFETY FIRST!

Our Bunkbeds were designed and manufactured with **your child's safety as our top priority.**

Their unparalleled strength is a by-product of the safety design.

Our bunks meet all compliance with ASTM F 1427-13 "Standard Consumer Safety Specification for Bunk Beds" and Code of Federal Regulations (CFR) 1213 "Safety Standards for Entrapment Hazards in Bunk Beds" and (CFR) 1513 "Requirements for Bunk Beds".

Safety is a cooperative effort between us as the manufacturer, and you as a guardian. **Please read and consider the warnings listed on this page** when choosing a mattress and discussing rules of use with your child.

SAFETY WARNINGS

1. Follow the information on the warnings appearing on the upper bunk end structure and on the carton. Do not remove warning label from bed.
2. Always use the recommended size mattress or mattress support, or both, to help prevent entrapment or falls.
3. Surface of mattress must be at least 5 inches (127 mm) below the upper edge of guardrails.
4. Do not allow children under 6 years of age to use the upper bunk.
5. Prohibit more than one person on the upper bunk.
6. Periodically, check and ensure that the guardrail, ladder, and other components are in their proper position, free from damage, and that all connectors are tight.
7. Do not allow horseplay on or under the bed and prohibit jumping on the bed.
8. Always use the ladder for entering and leaving the upper bunk.
9. Do not use substitute parts. Contact the manufacturer or dealer for replacement parts.
10. Use of a nightlight may provide added safety precaution for a child using the upper bunk.
11. Always use guardrails on both long sides of the upper bunk. If bunk bed will be placed next to the wall, the guardrail that runs the full length of the bed should be placed against the wall to prevent entrapment between the bed and wall.
12. The use of water or sleep flotation mattresses is prohibited.
13. **Keep these instructions for future reference.**
14. Use only mattress which is 74-75 inches long and 37 ½-38 ½ inches wide on twin upper bunk and 37 ½-38 ½ inches wide on twin lower bunk or 53 ½ inches wide on full lower bunk.



STRANGULATION HAZARD

Never attach or hang items to any part of the bunk bed that are not designed for use with the bed; including, but not limited to, hooks, belts and jump ropes

SIZE OF MATTRESS AND FOUNDATION

Use only mattress and foundation combined which is 74-75 inches long and 37 ½-38 ½ inches wide on twin upper bunk and 37 ½-38 ½ inches wide on twin lower bunk or 53 ½ inches wide on full lower bunk. Ensure thickness of mattress and foundation combined does not exceed 8 inches and the mattress is at least 5 inches below upper edge of guardrails.

BED/BUNKS

INTRODUCTION

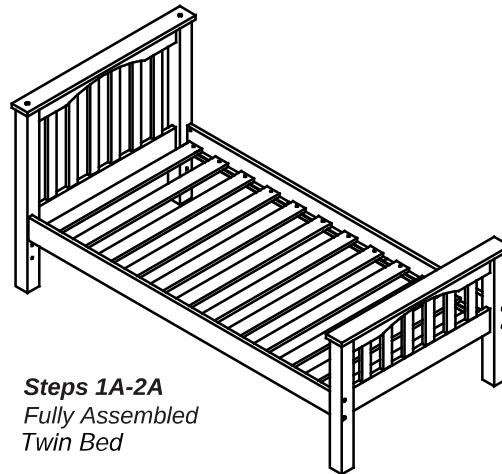
Enclosed please find simple step-by-step instructions to help you quickly assemble your product. Before you begin we recommend that you follow the steps below:

1. Please read the instructions thoroughly
2. Identify all parts and hardware
3. Gather the tool(s) necessary
4. 2 adults required for assembly

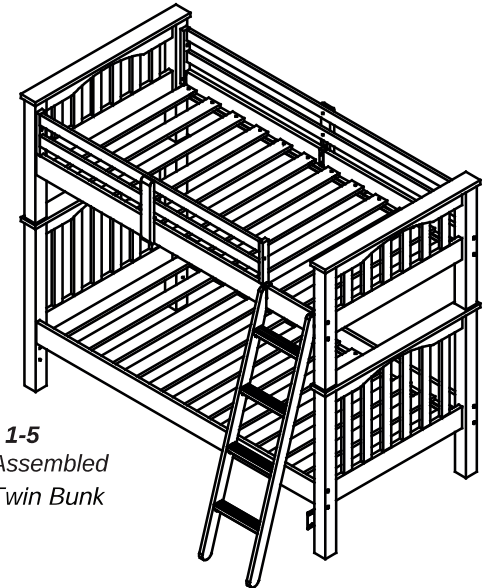
To protect your parts during assembly please place them on a soft surface. To clean surface use only water on a damp cloth. Do not use window cleaners or cleaning abrasives as it will scratch the surface and could damage the protective coating.

CUSTOMER SUPPORT

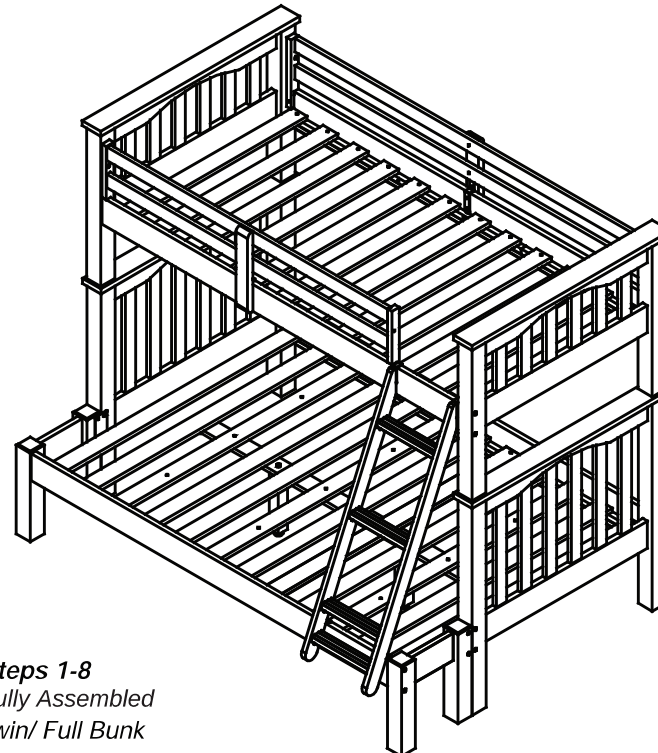
If you are missing parts or need assistance with your product, please contact the retailer from whom you purchased the product. When you call or email, please include the Product's Item Number and PO Number which is located on the Production Tracking Sticker. This sticker can be found on the bottom, inside or back of your product.



Steps 1A-2A
Fully Assembled
Twin Bed



Steps 1-5
Fully Assembled
Twin/Twin Bunk









Steps 1-8
Fully Assembled
Twin/ Full Bunk










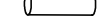
*Locate all hardware and parts prior to discarding any packaging.

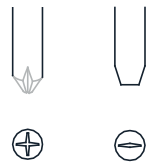
PARTS LIST

HARDWARE FOR TWIN BED

A		Ø6-75x100mm Bolts	X 8
B		Ø6x20mm Barrel Nuts	X 8
C		Ø10x40mm Wood Dowels	X 4
D		Ø4x30mm Wood Screws	X 24
H		Allen Key	X 1
I		Ø17.2x54mm Wood Dowels	X 2

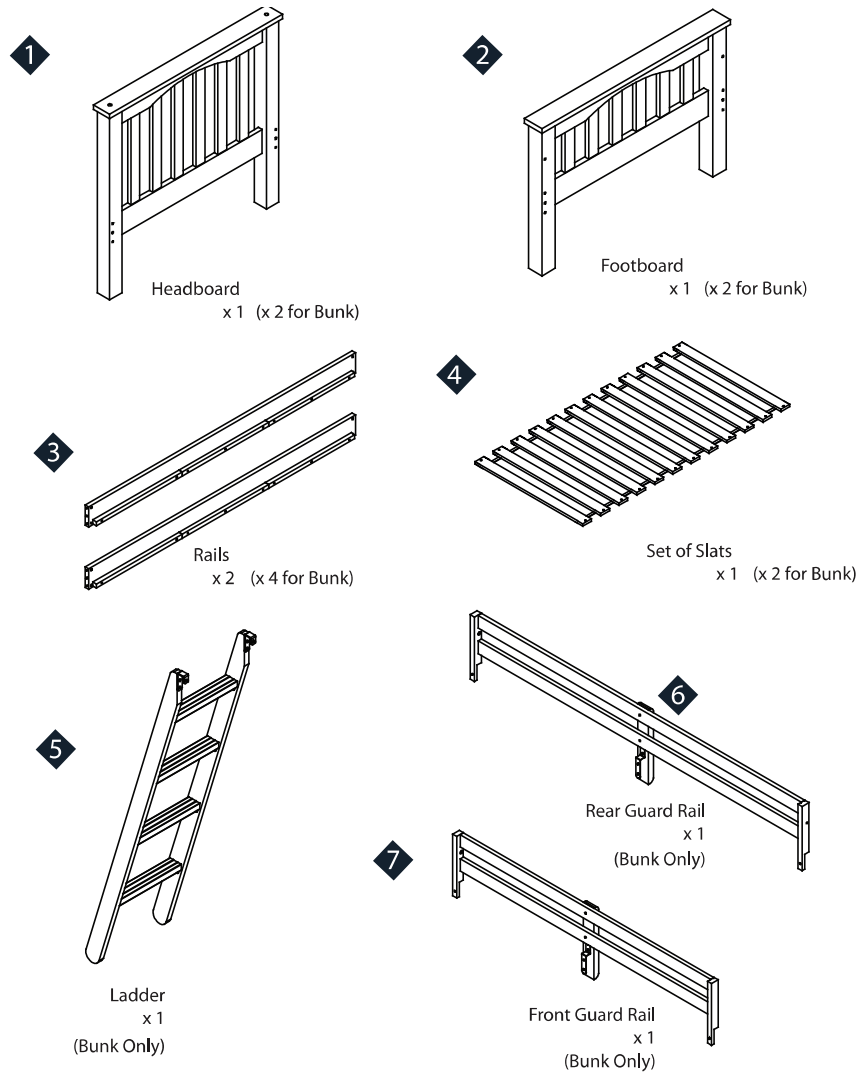
HARDWARE FOR BUNK BED

A		Ø6-75x100mm Bolts	X 16
B		Ø6x20mm Barrel Nuts	X 16
C		Ø10x40mm Wood Dowels	X 8
D		Ø4x30mm Wood Screws	X 48
E		Ø4x25mm Wood Screws	X 4
F		Ø3.5x20mm Wood Screws	X 6
G		Ø6-28x30mm Bolts	X 3
H		Allen Key	X 3
K		Ø16.5x100mm Wood Dowels	X 4
L		Ø16.5x54mm Wood Dowels	X 4



Other Tools Required
(Not Included)

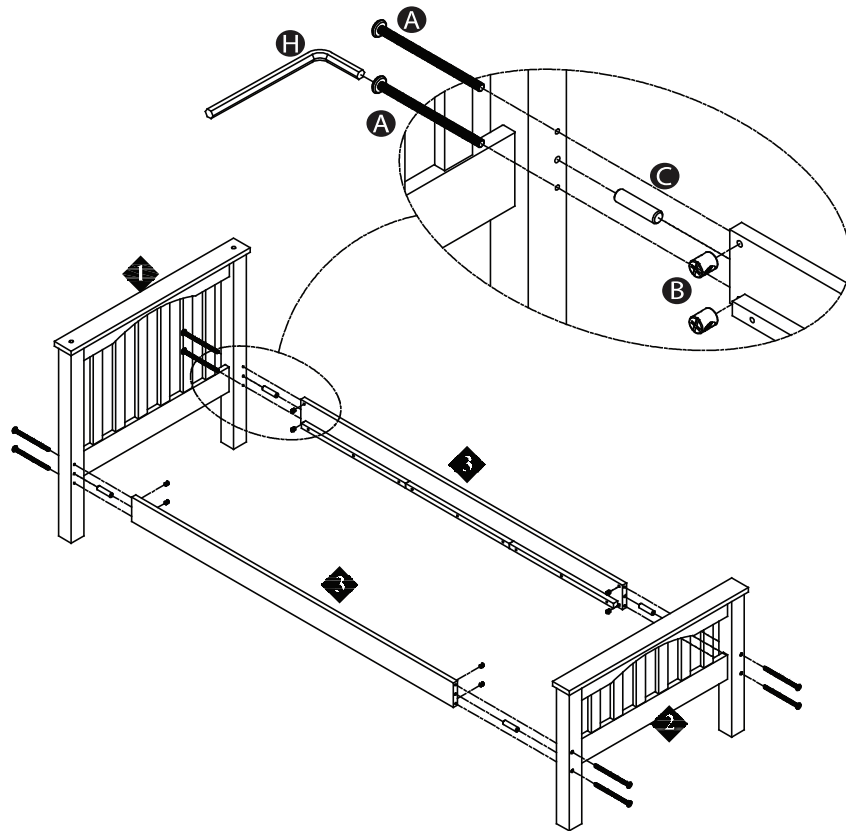
- Phillips Screwdriver
- Flathead Screwdriver



Steps 1A-2A: Twin Bed Assembly

STEP 1A

Assemble Bed Rails (3) to Headboard (1) and Footboard (2) by using Ø6-75x100mm Bolts (A), Ø6x20mm Barrel Nuts (B) and Ø10x40mm Wood Dowels (C). Then fully tighten by using Allen Key (H).



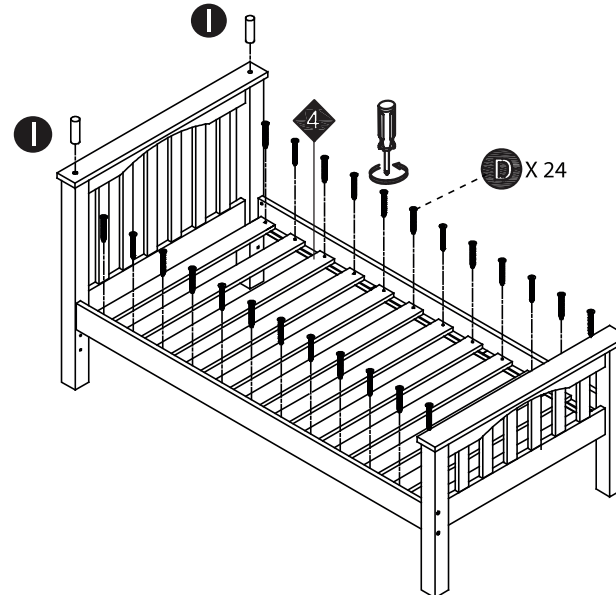
STEP 2A

Attach Slat Pack. Lay slat roll between side rails and screw in slats to slat support as indicated. Make sure rails are pulled into slats prior to screwing in place. Then put the mushroom plug on the headboard



WARNING

To help prevent serious or fatal injuries **SCREW BOTH SIDES OF EACH SLAT TO THE SLAT ROLL SUPPORT**. Failure to do so could result in the collapse of the entire slat roll, and will void your warranty.

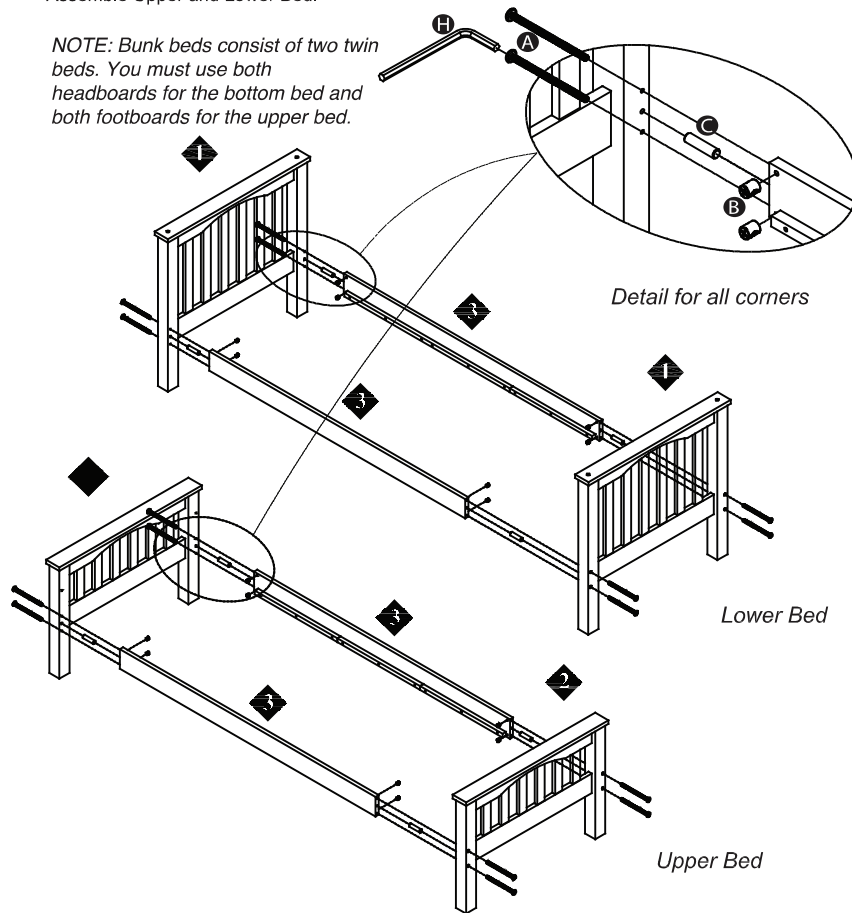


Steps 1-5 Twin/Twin Bunk Assembly

STEP 1

Assemble Upper and Lower Bed.

NOTE: Bunk beds consist of two twin beds. You must use both headboards for the bottom bed and both footboards for the upper bed.



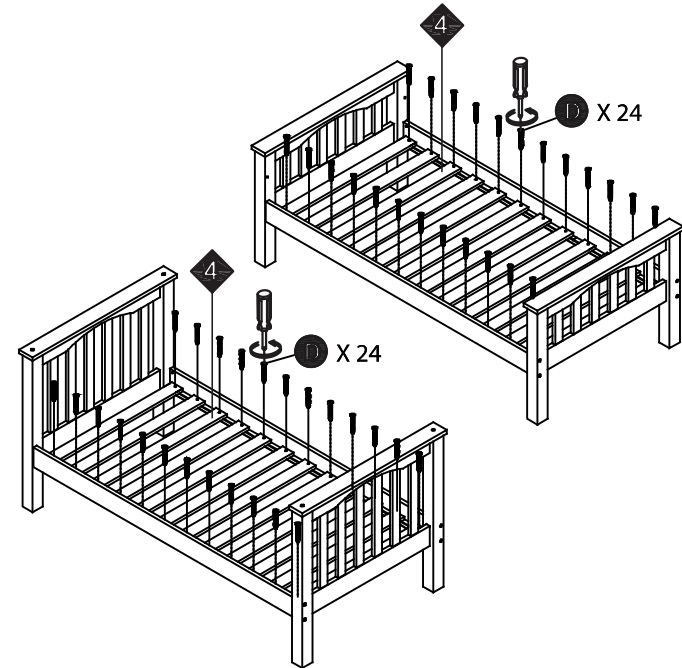
STEP 2

Attach Slat Packs. Lay slat rolls between side rails and screw in slats to slat support as indicated. Make sure rails are pulled into slats prior to screwing in place.



WARNING

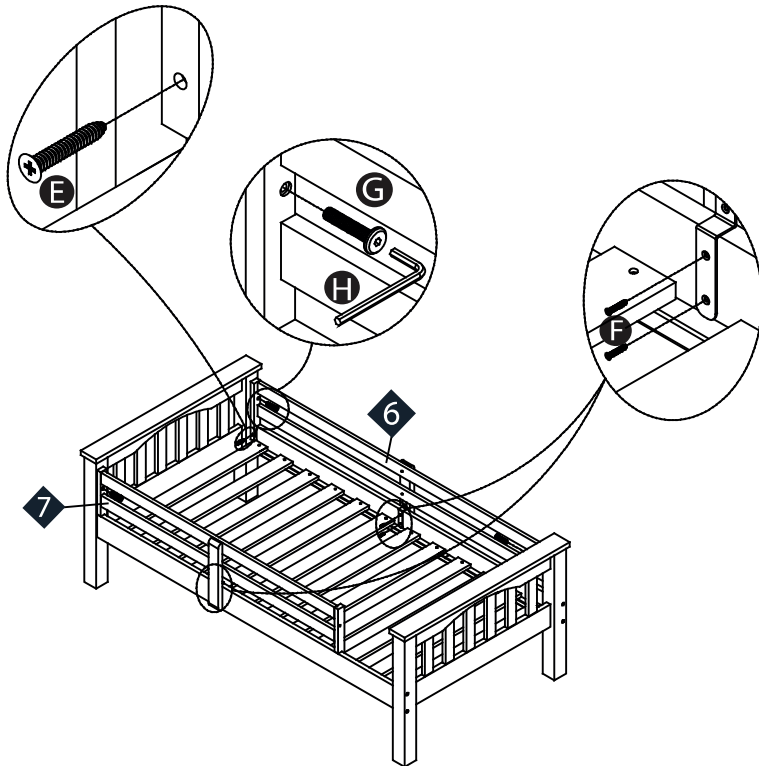
To help prevent serious or fatal injuries **SCREW BOTH SIDES OF EACH SLAT TO THE SLAT ROLL SUPPORT**. Failure to do so could result in the collapse of the entire slat roll, and will void your warranty.



STEP 3

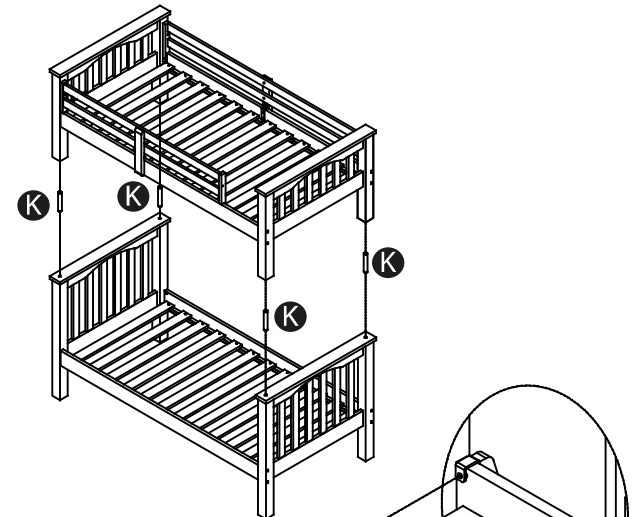
Attach Guard Rails (6),(7) to Footboard (2) by using Ø6-28x30 mm Bolts (G) then fully tighten by Allen Key (H) and Ø4x25 mm Wood Screws (H).
Attach Guard Rails (6),(7) to Rails (3) by using Ø3.5x20 mm Wood Screws(F)

* Note: Before attaching Front Guard Rail, decide which side of the bunk you would like the ladder on.



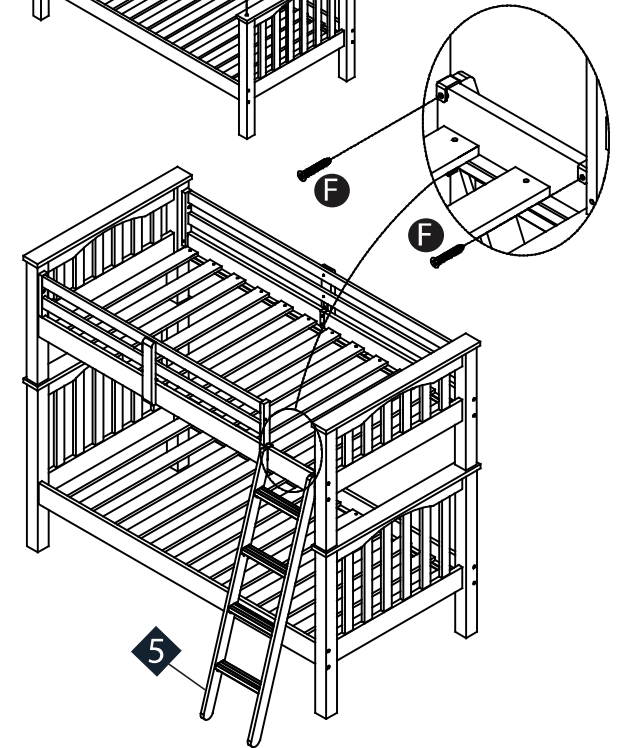
STEP 4

With two adults, place Upper Bed atop Lower Bed.













STEP 5

Attach Ladder (5) to Rails (3) by using Ø3.5x20 mm Wood Screws (F)













PARTS LIST

HARDWARE FOR TWIN/ FULL BUNK BED

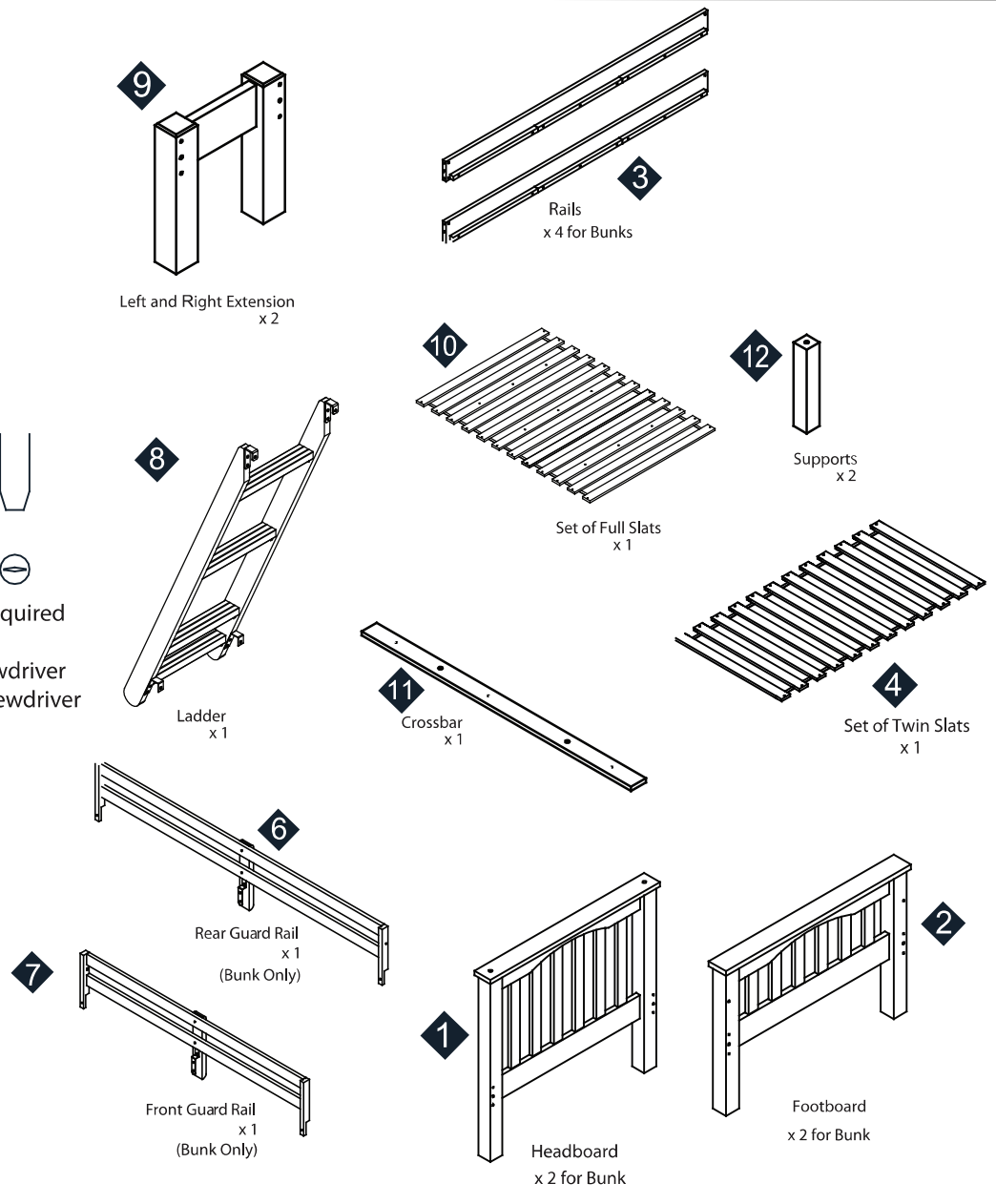
A		Ø6-75x100mm Bolts X 16
B		Ø6x20mm Barrel Nuts X 16
C		Ø10x40mm Wood Dowels X 8
D		Ø4x30mm Wood Screws X 48
E		Ø4x25mm Wood Screws X 4
F		Ø3.5x20mm Wood Screws X 4
G		Ø6-28x30mm Bolts X 3
H		Allen Key X 3
K		Ø16.8x100mm Wood Dowels X 4
L		Ø17.2x54mm Wood Dowels X 4

HARDWARE FOR FULL EXTENSION

A		Ø6-53x70mm Bolts X 8
B		Ø8-23x30mm Bolts X 2
C		Ø6x15mm Female Half Moon X 8
D		Ø4x30mm Wood Screws X 27
E		Metal Plate X 2
F		Ø3.5x 20mm Wood Screws X 4
G		Allen Key X 1
H		Ø6-75x100mm Bolts (H OF X-050A) X 4
I		Ø6x20mm Barrel Nuts (I OF X-050A) X 4
K		Ø10x40mm Wood Dowels (K OF X-050A) X 2

Other Tools Required
(Not Included)

- Phillips Screwdriver
- Flathead Screwdriver

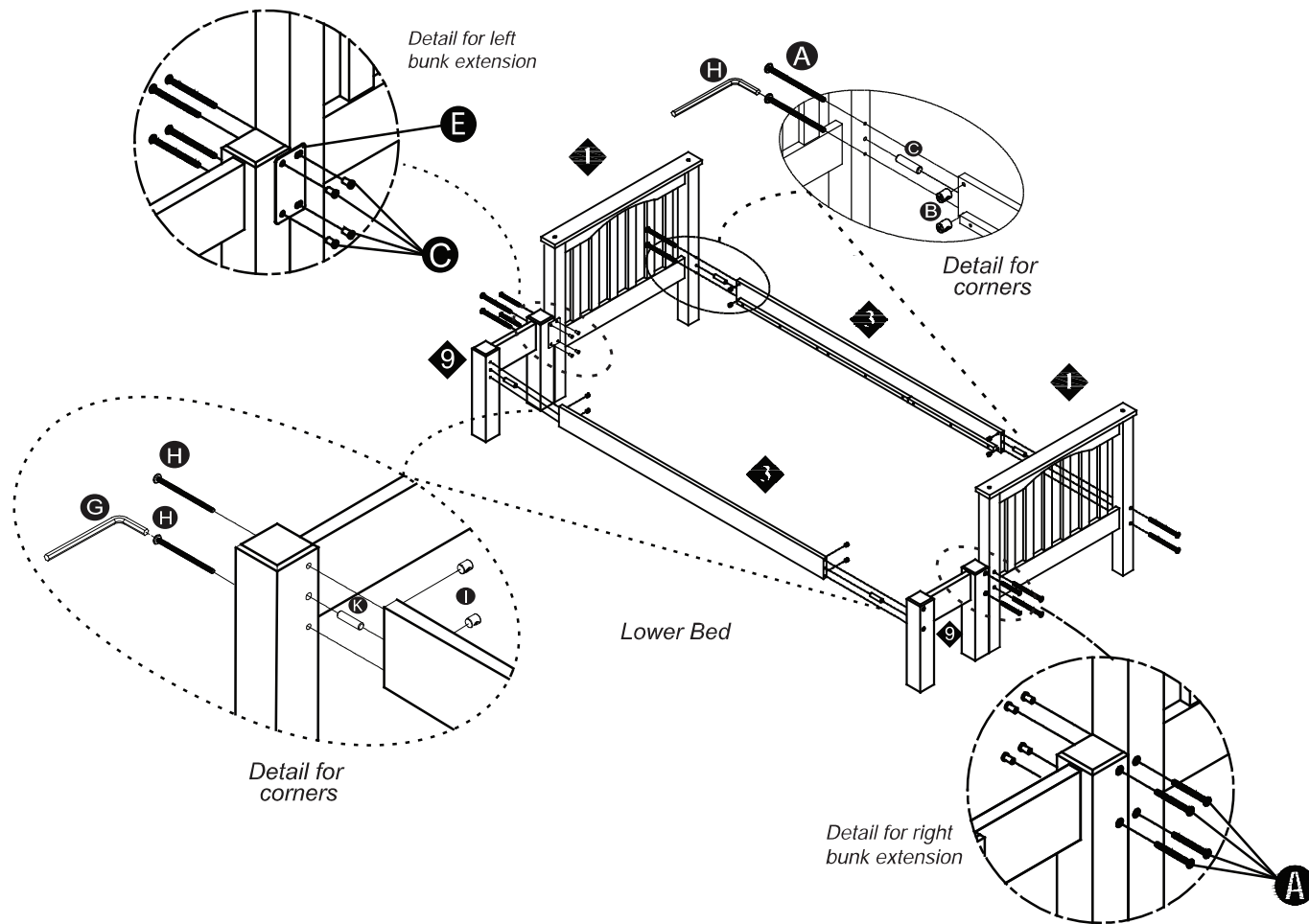


STEP 1

Assemble Left, Right Extension (9) to Rails (3) by using $\varnothing 6-75 \times 100$ mm Bolts (H), $\varnothing 6 \times 20$ mm Barrel Nuts (I) and $\varnothing 10 \times 40$ mm Wood Dowels (K). Then fully tighten with Allen Key (G)

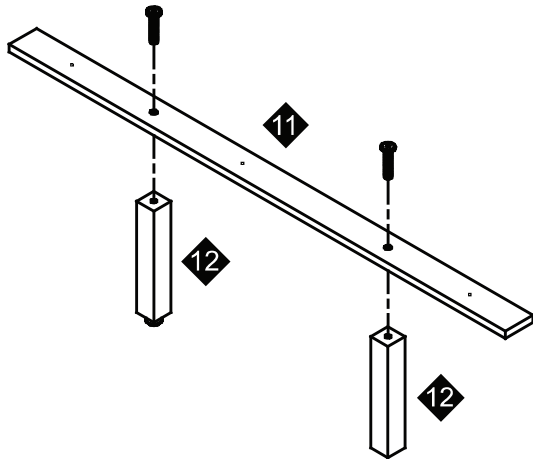
Assemble Left, Right Extension (9) to Headboard (1) by using $\varnothing 6-53 \times 70$ mm Bolts (A), $\varnothing 6 \times 15$ mm Female Haft Moon (C) and Metal Plates (E). Then fully tighten with Allen Key (G)

Assemble Headboard (1) to Rail (3) by using $\varnothing 6-75 \times 100$ mm Bolts (A) and $\varnothing 10 \times 40$ mm Wood Dowels (C). Then fully tighten with Allen Key (G)

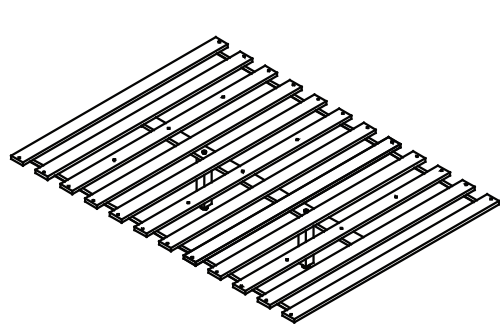


STEP 2

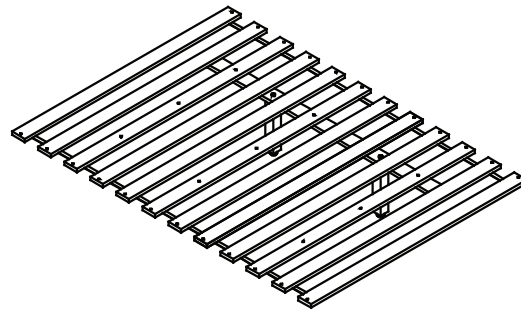
Assemble Center Supports (12) to Crossbar (11) by using Ø6-28x30mm Bolts (B).



If using trundle, shift center support accordingly.



Use with Storage Drawers



Use with Trundle Bed



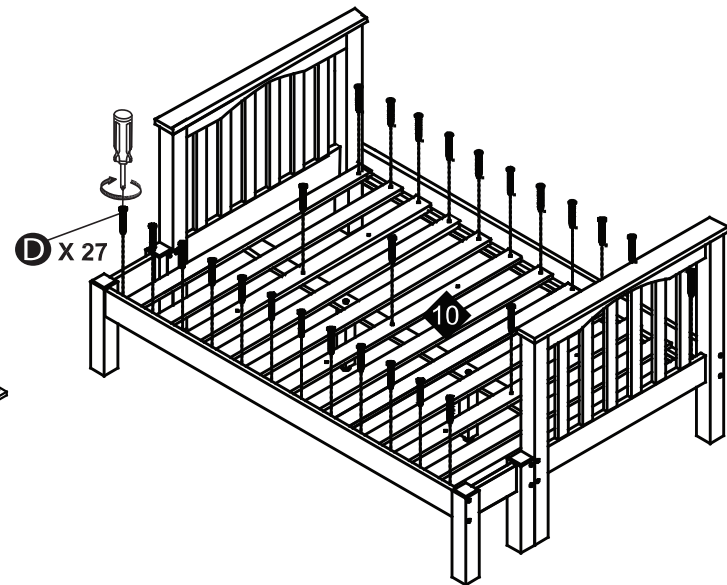
WARNING

To help prevent serious or fatal injuries **SCREW BOTH SIDES OF EACH SLAT TO THE SLAT ROLL SUPPORT**. Failure to do so could result in the collapse of the entire slat roll, *and will void your warranty.*

Lay slat roll between side rails and screw in slats to slat support bar as indicated. Make sure rails are pulled into slats prior to screwing in place.

STEP 3

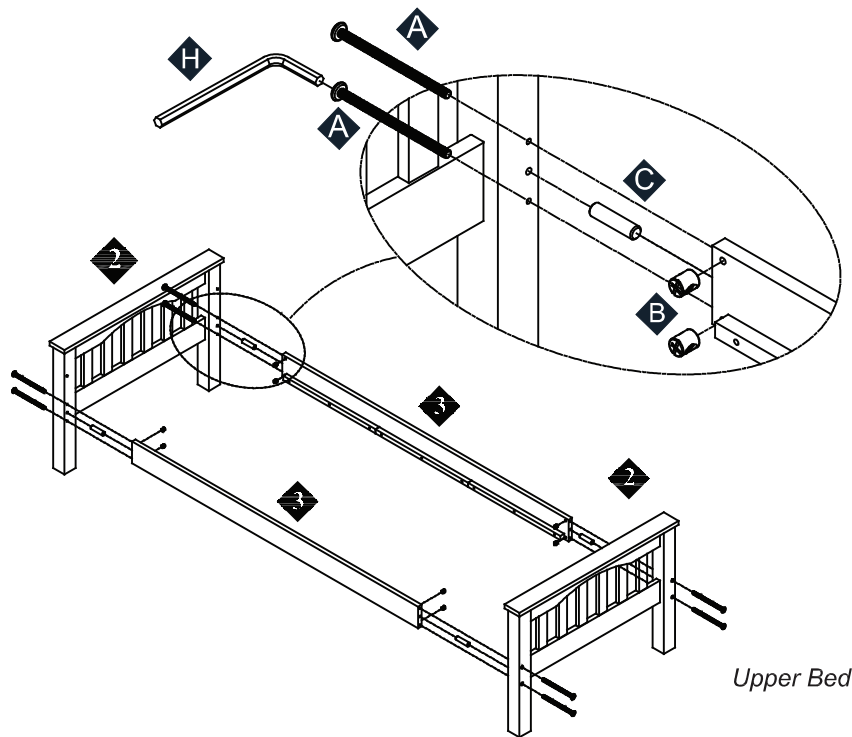
Attach Slat (10) pack to Bed Rails (3) by using Ø4x30 mm Wood Screws (D)



Steps 4-6: Upper Bed Assembly

STEP 4

Assemble Bed Rails (3) to Footboard (2) by using Ø6-75x100mm Bolts (A), Ø6x20mm Barrel Nuts (B) and Ø10x40mm Wood Dowels (C). Then fully tighten by using Allen Key (H).



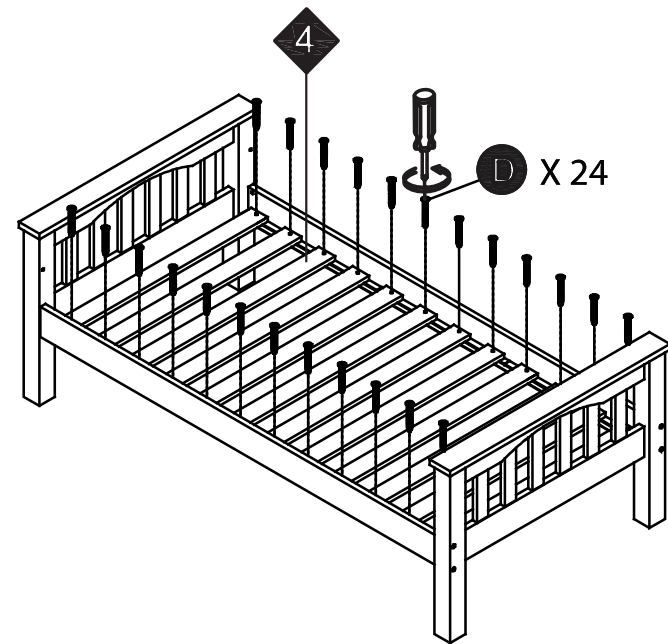
STEP 5

Attach Slat Pack. Lay slat roll between side rails and screw in slats to slat support as indicated. Make sure rails are pulled into slats prior to screwing in place. Then put the mushroom plug on the headboard



WARNING

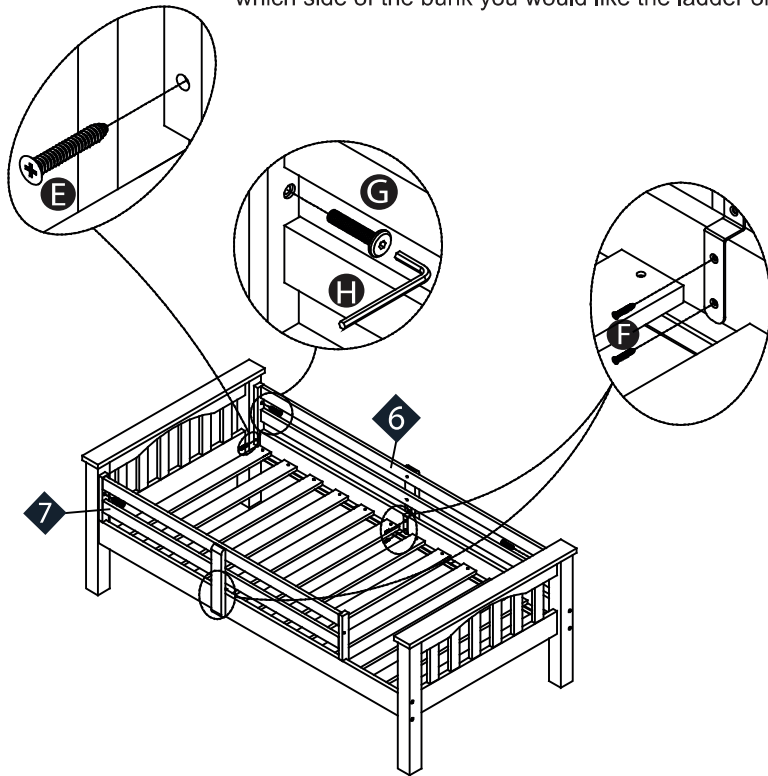
To help prevent serious or fatal injuries SCREW BOTH SIDES OF EACH SLAT TO THE SLAT ROLL SUPPORT. Failure to do so could result in the collapse of the entire slat roll, and will void your warranty.



STEP 6

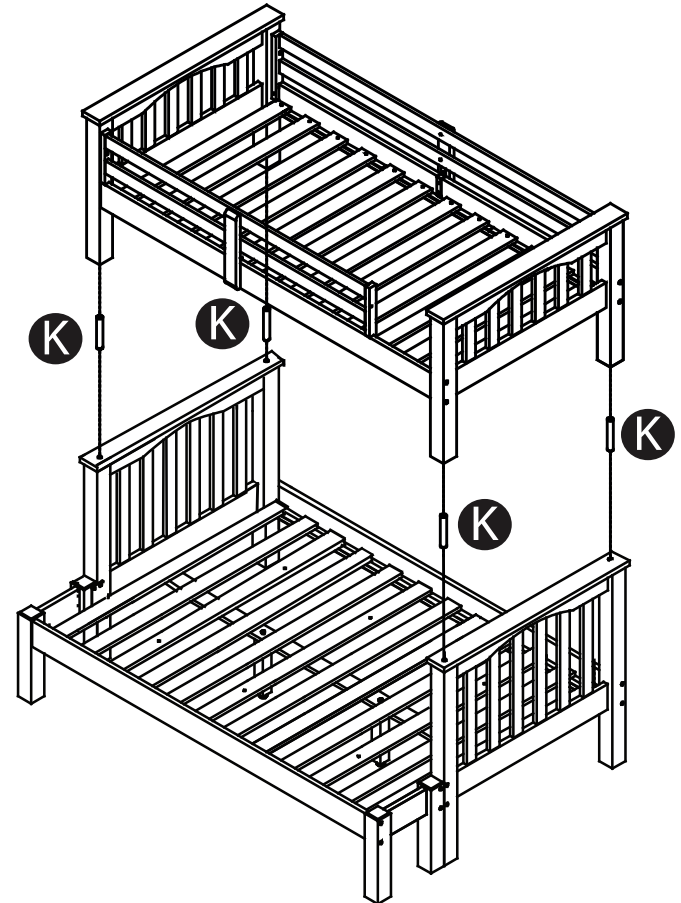
Attach Guard Rails (6),(7) to Footboard (2) by using $\text{Ø}6\text{-}28\text{x}30$ mm Bolts (G) then fully tighten by Allen Key (H) and $\text{Ø}4\text{x}25$ mm Wood Screws (H).
Attach Guard Rails (6),(7) to Rail (3) by using $\text{Ø}3.5\text{x}20$ mm Wood Screws (F)

* Note: Before attaching Front Guard Rail, decide which side of the bunk you would like the ladder on.



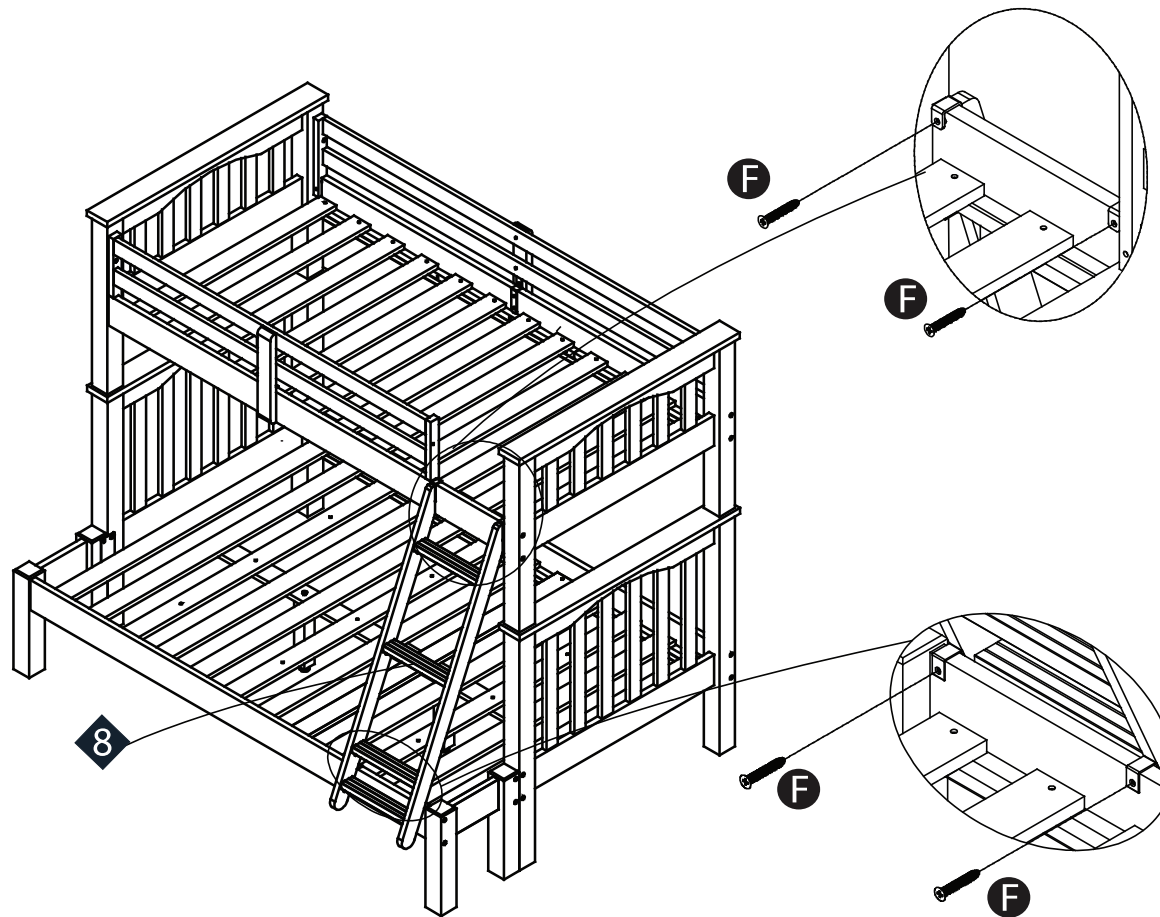
STEP 7

With two adults, place Upper Bed atop Lower bed.



STEP 8

Attach Ladder (8) to Bed Rail (3) by using Ø3.5x20 mm Wood Screws (F)



CARE INSTRUCTIONS



WARNING Important Safety Notice

Dresser/chest can tip (fall over) when not used as intended. This could potentially result in serious injury or death. **Keep your children and others safe by following these simple rules:**

1. Do not allow climbing on any dresser/chest.
2. Do not leave drawers open when not in use.
3. Do not allow standing in drawers.
4. Do not allow hanging from drawers.
5. Do not allow standing on top of dresser/ chest.
6. Do not place heavy objects in drawers.
7. Do not place heavy objects on top of the Dresser/chest which can be pulled down on top of your child.
8. To avoid head injury, do not allow your child to play underneath open drawers.
9. Hutches, mirror, etc. Must be securely fastened to the dresser according to the instructions enclosed with those items.
10. Always monitor your child's activity when in the nursery.



- A lacquer finish is used on this furniture to protect the wood. **It is not waterproof, clean spills immediately.** Dust using a slightly damp cloth, making sure no standing water is left on the furniture. **DO NOT** use any household cleaners, citrus-based polishes, wood soaps, or oils; they can break down the natural lacquer finish.



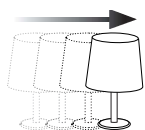
- **Do not place furniture in direct sunlight.** Natural solid wood furniture will naturally color as it ages, however, direct sunlight dramatically speeds up the process.



- In natural wood furniture, the variations in texture and grain **will affect the finish**, making it impossible to guarantee an exact match between two pieces of wood even though identical finishing processes are used. These differences in character **are not defects**, but variations that make each piece of furniture unique and beautiful.



- **Solid wood naturally expands and contracts.** In high humidity you may find that drawers can stick slightly. This will correct itself, and is not reason for concern.



- If you place objects such as lamps or plants on your case pieces **make sure to move them from time to time.** There may be a slight discoloration where the object was. However, by exposing it to light the color will catch up to the rest of the case.



- Plastic or foam footed items such as phones or clocks can damage this finish, **use trivets under such items.**