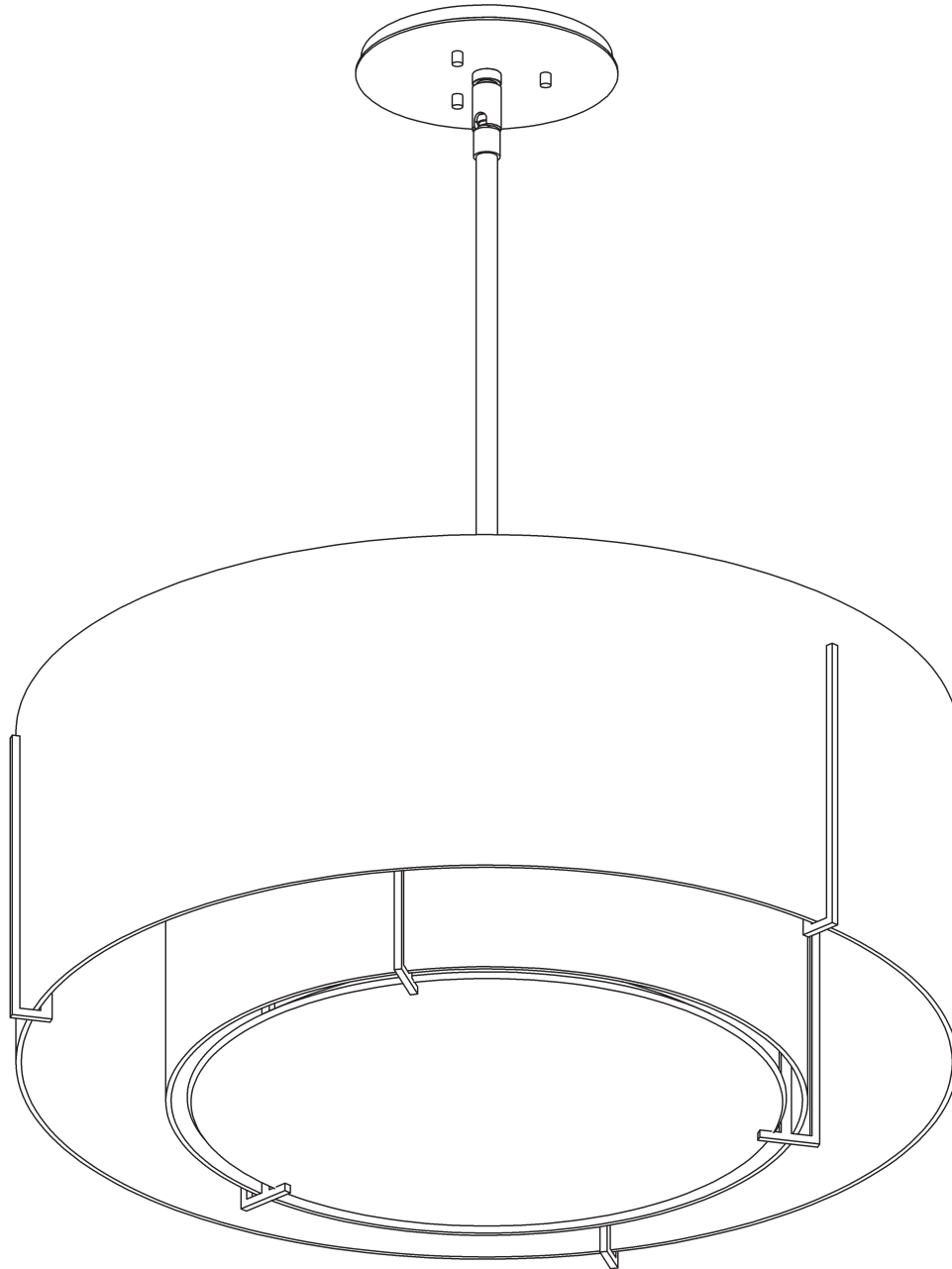


ASSEMBLY & INSTALLATION INSTRUCTIONS

A64

For Adjustable Pendant Model 13-9605



ASSEMBLY & INSTALLATION INSTRUCTIONS

A64

For Adjustable Pendant Model 13-9605

Component Parts	A	Canopy
	B	Threaded studs (3)
	C	Crossbar
	D	Canopy pipe
	E	Barrel knobs (3)
	F	Threaded Coupling
	G	Fixture pipe
	H	Clutch
	I	Clutch sleeve
	J	Ground Screw
	K	Small Shade
	L	Support arms (3)
	M	Fixture
	N	Thumb Screws (4)
	O	Glass Diffuser
	P	Spider Assembly
	Q	Upper Spider
	R	Arm
	S	Lower Spider
	T	Large Shade
	U	Large Spider Assembly
	V	Vertical Uprights
	W	Center Assembly

For Adjustable Pendant Model 13-9605

CAUTION: FAILURE TO INSTALL THIS FIXTURE PROPERLY MAY RESULT IN SERIOUS PERSONAL INJURY OR DEATH AND PROPERTY DAMAGE. We recommend installation by a licensed electrician. This product must be installed in accordance with applicable installation code(s), by a person familiar with the construction and operation of the product and the hazards involved.*

Caution: Do not exceed maximum wattage noted on fixture. Use only recommended bulbs with fixture.

Install Fixture (Figures 1 & 2)

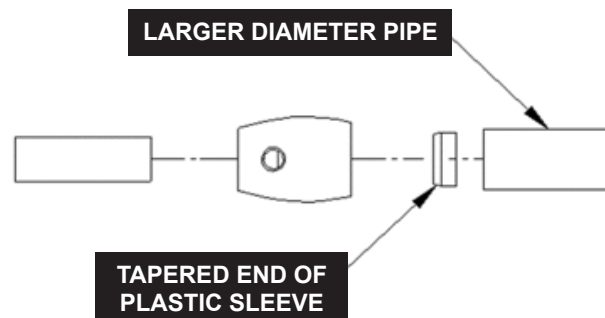
- Carefully unpack the fixture from the carton.
- Thread the wires from the fixture pipe (G) into and through the canopy pipe (D) and up through the canopy (A). Unscrew the clutch (H) from the canopy pipe (D); slide it across the wires and onto the fixture pipe (G). Follow this with the clutch sleeve (I), so that the clutch sleeve nests in the clutch. Important: To ensure full connection strength, make sure the tapered end of the plastic clutch sleeve is oriented toward the clutch (Figure 1). Slide the smaller pipe as far as necessary to give you the total length of the fixture which you desire. Be careful not to scratch the pipe surfaces and to pull excess wire up through the canopy. There must be a minimum 1-1/2" of inner pipe inside the outer pipe. Hand-tighten the clutch to temporarily hold this adjustment. At this point the adjustment is not securely fastened; do not depend on it to permanently hold the fixture.
- Check that fixture is at desired height. Tighten set screw in clutch (H) with the supplied hex wrench to secure fixture.
- Thread studs (B) through appropriate holes in the crossbar (C) to match hole centers on canopy (A). Move ground screw to another available threaded hole if necessary. Using two machine screws fasten the crossbar to the electric box using outer oval slots to orient fixture to desired hanging position. Note: A new electric box comes with screws. When replacing a fixture, retain the existing screws for use with the new fixture.
- Using suitable wire connectors (not provided) connect fixture wires to supply (white to white and black to black). Run a pigtail from ground screw (J) and connect all ground wires.

Caution: Be sure wire connectors are twisted on securely, and no bare wire is exposed.

- Slide fixture canopy (A) with fixture attached, over threaded studs and push firmly to ceiling. Fasten with the barrel knobs (E). Be sure studs are fully seated in the barrel knobs.

Caution: Be sure no wires are pinched between the fixture canopy and ceiling

- Install light bulb(s). "F" version bulbs are included.
- See instructions to install shade and diffuser.

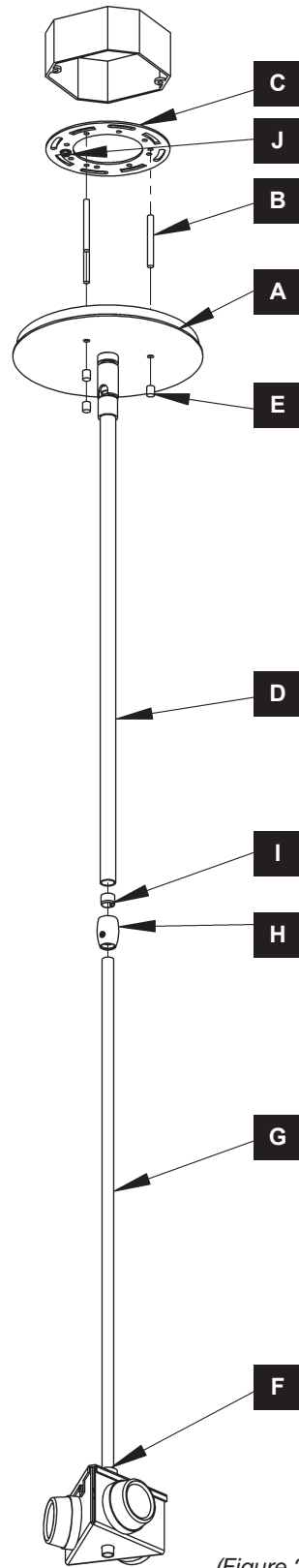


(Figure 1)

ASSEMBLY & INSTALLATION INSTRUCTIONS

A64

For Adjustable Pendant Model 13-9605



(Figure 2)

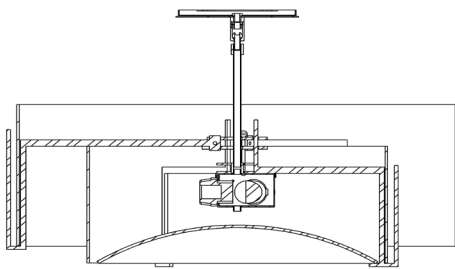
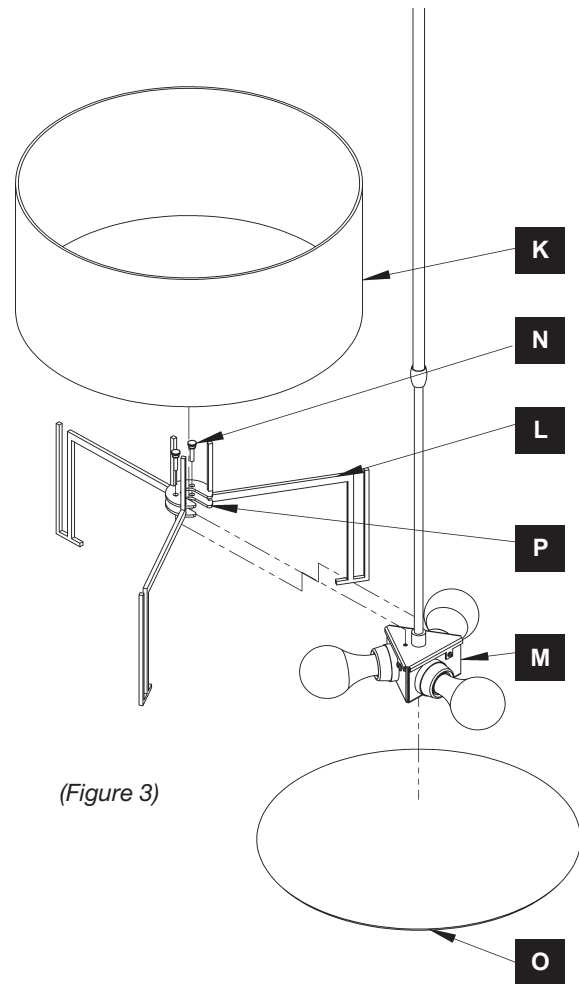
ASSEMBLY & INSTALLATION INSTRUCTIONS

A64

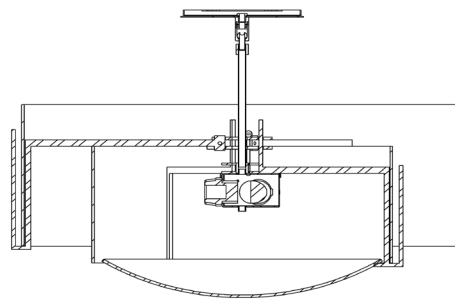
For Adjustable Pendant Model 13-9605

Install Inner Shade & Diffuser (Figures 3 & 4)

1. Place small shade (K) into notches of support arms (L).
2. Move shade and spider assembly (P) up and over fixture (M) and secure with thumb screws (N).
3. Slip glass diffuser (O) curved side up at an angle into support arms (L) and rotate to rest on the arms. It may be necessary to flex on support arm slightly to install diffuser. See Figure 4



**DIFFUSER INSTALLED
CORRECTLY**



**DIFFUSER INSTALLED
INCORRECTLY**

(Figure 4)



HUBBARDTON FORGE.

MODERN AMERICAN BLACKSMITHS | FINE, HAND CRAFTED LIGHTING
CASTLETON, VERMONT USA | HUBBARDTONFORGE.COM

17697 Rev C

5 OF 7

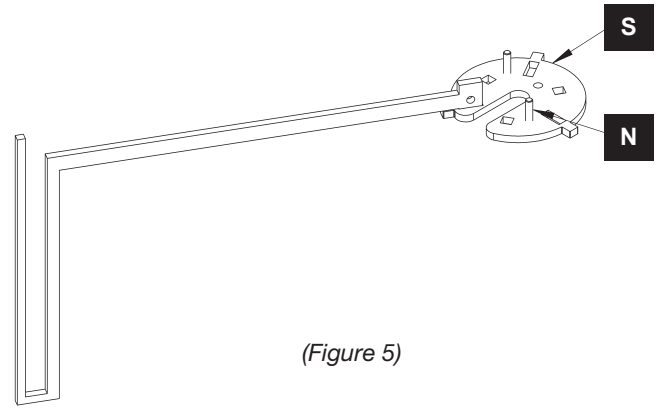
ASSEMBLY & INSTALLATION INSTRUCTIONS

A64

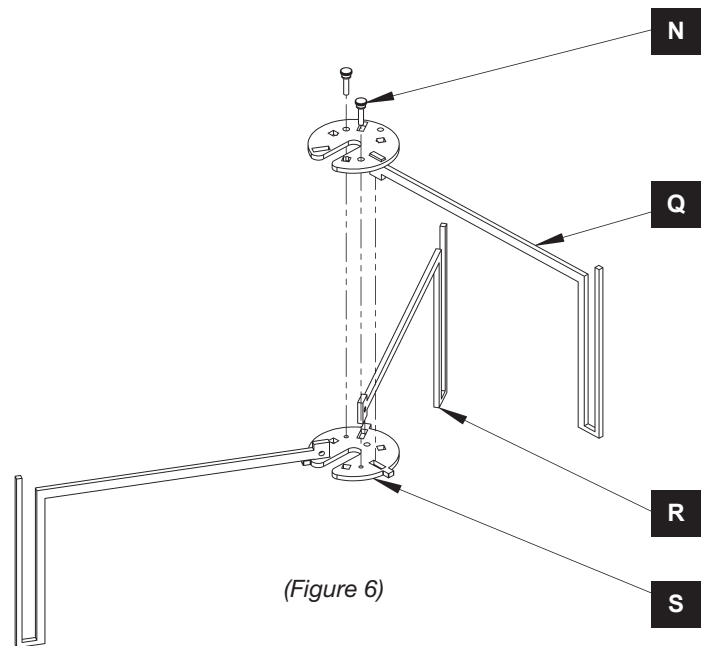
For Adjustable Pendant Model 13-9605

Install Inner Shade & Diffuser (Figures 5 thru 7)

1. Remove thumb screws (N) from lower spider (S) and set aside. The thumb screws are attached this way for shipping purposes only.
2. Assemble large spider assembly (U) by placing upper spider (Q) on lower spider (S) with arm (R) between them. Make sure arm (R) is oriented the same as the other two arms. Slot in both assemblies should be aligned.
3. Install (2) thumb screws (N) and tighten.
4. Slide large shade (T) up pipe past center assembly (W).
5. Hold large shade above center assembly (W) and align large spider assembly (U) so square openings line up with vertical uprights (V) on center assembly (W).
6. Lower large spider assembly (U) onto vertical up-rights until it is resting on top of the small shade (K).
7. Lower large shade (T) until it rests in the brackets of the large spider assembly (U).
8. Restore electricity at main breaker box.



(Figure 5)

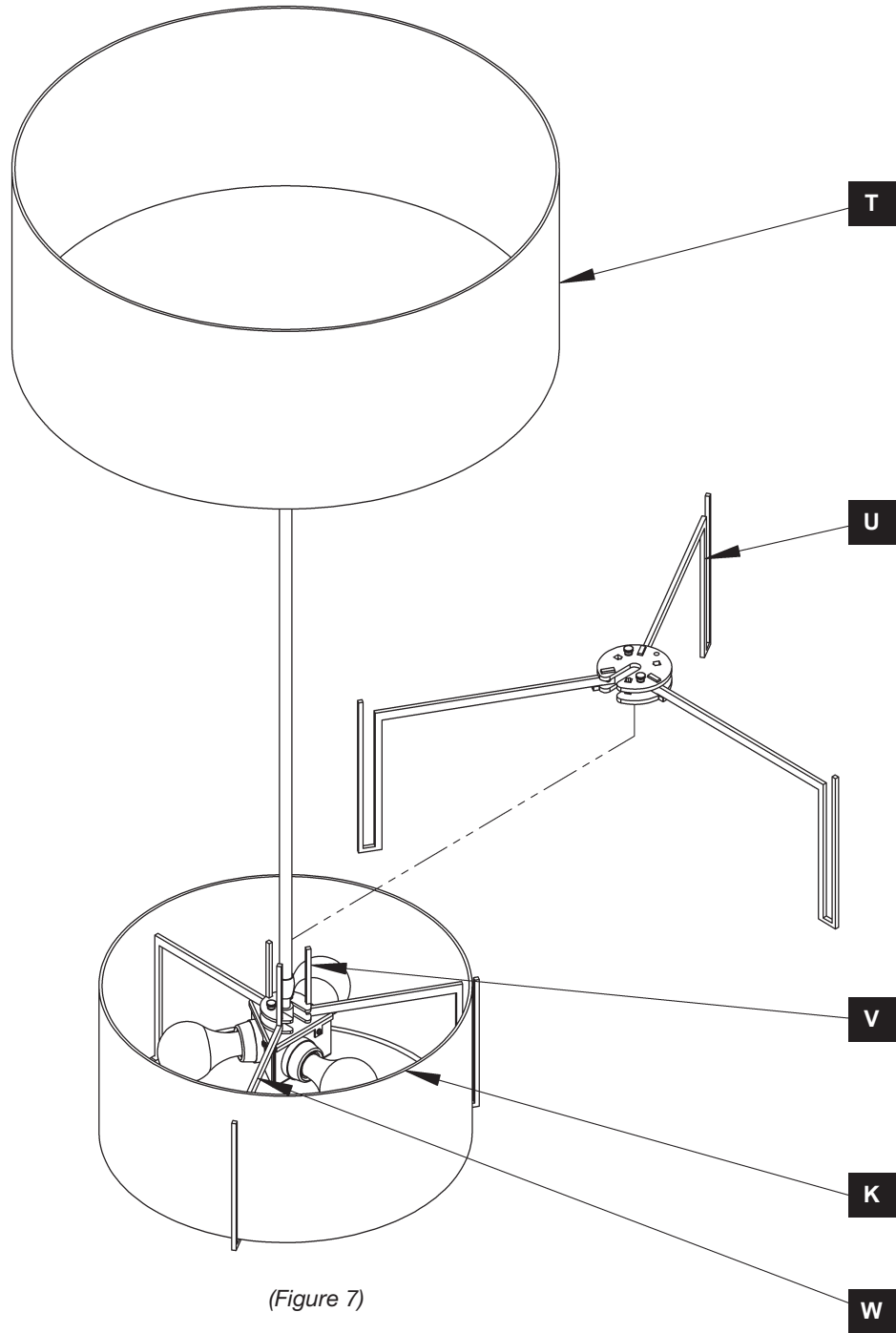


(Figure 6)

ASSEMBLY & INSTALLATION INSTRUCTIONS

A64

For Adjustable Pendant Model 13-9605



(Figure 7)

If you need further assistance, or find that you are missing any parts, please contact the dealer from which you purchased this product. We hope you enjoy your fixture!

*** Hubbardton Forge will not be liable for injury or damage caused by improper installation, lamping or use of this fixture.**