

5 Pieces Outdoor Rattan Furniture Set

**HW72144**

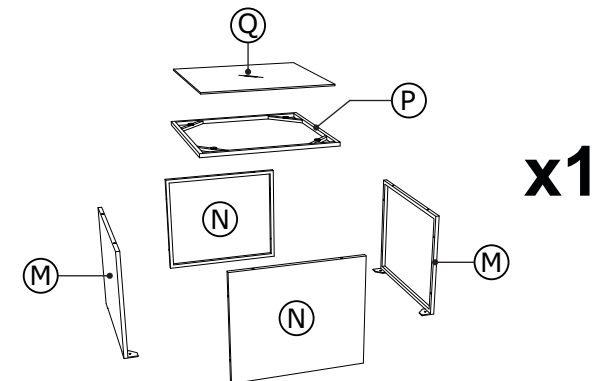
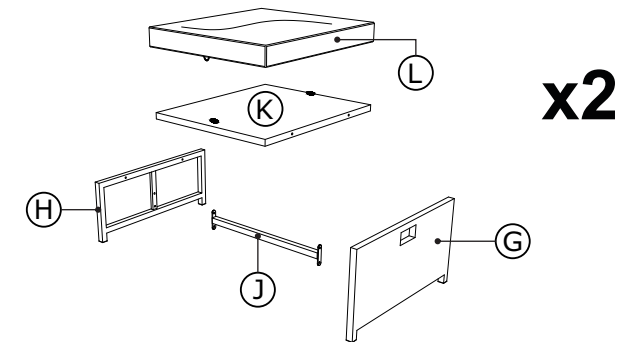
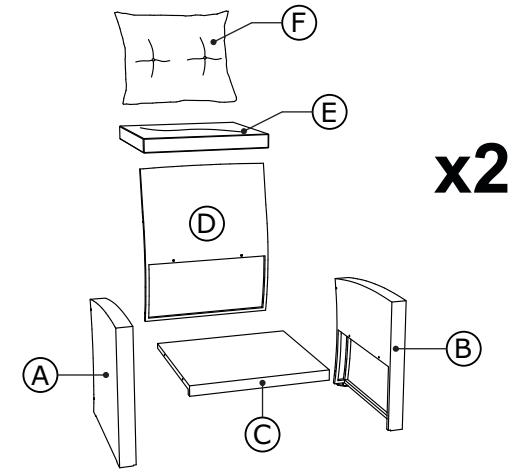
**USA** office: Fontana      **AUS** office: Truganina  
**GBR** office: FDS Corporation Limited, Unit 4, Blackacre  
Road, Great Blakenham, Ipswich, IP6 0FL, United Kingdom

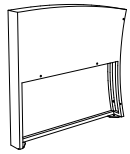
THIS INSTRUCTION BOOKLET CONTAINS **IMPORTANT** SAFETY INFORMATION.  
PLEASE READ AND KEEP FOR FUTURE REFERENCE.



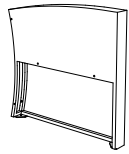
## Before You Start

- ⚠ Please read all instructions carefully.
- ⚠ Retain instructions for future reference.
- ⚠ Separate and count all parts and hardware.
- ⚠ Read through each step carefully and follow the proper order.
- ⚠ We recommend that, where possible, all items are assembled near to the area in which they will be placed in use, to avoid moving the product unnecessarily once assembled.
- ⚠ Always place the product on a flat, steady and stable surface.
- ⚠ Keep all small parts and packaging materials for this product away from babies and children as they potentially pose a serious choking hazard.

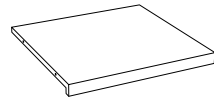




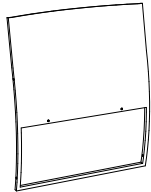
A x2



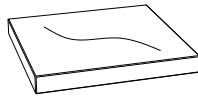
B x2



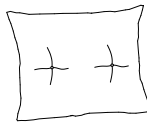
C x2



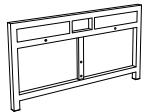
D x2



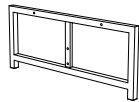
E x2



F x2



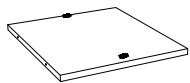
G x2



H x2



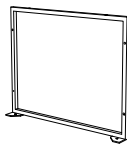
J x2



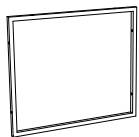
K x2



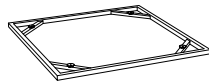
L x2



M x2



N x2

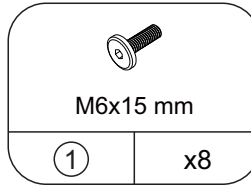


P x1



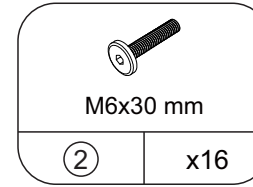
455x455x5 mm

Q x1



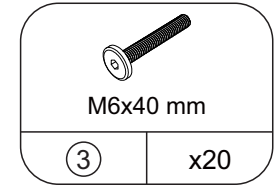
M6x15 mm

1 x8



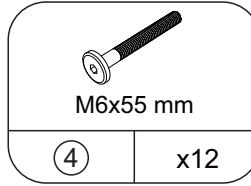
M6x30 mm

2 x16



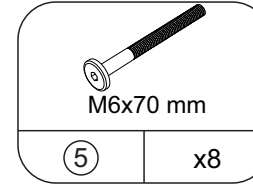
M6x40 mm

3 x20



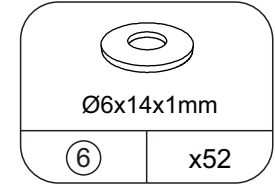
M6x55 mm

4 x12



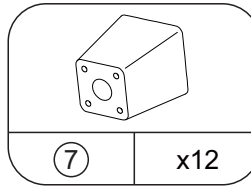
M6x70 mm

5 x8

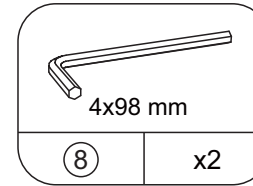


Ø6x14x1mm

6 x52



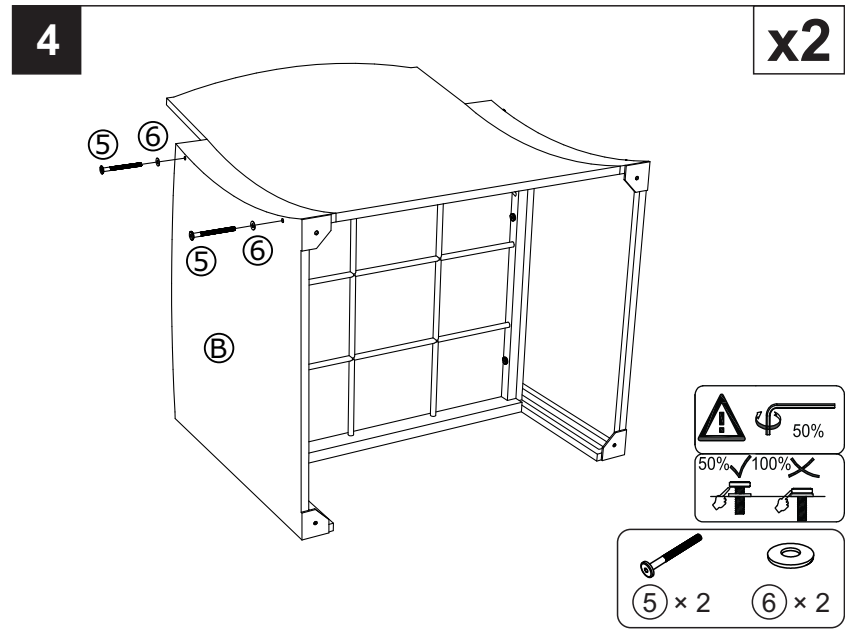
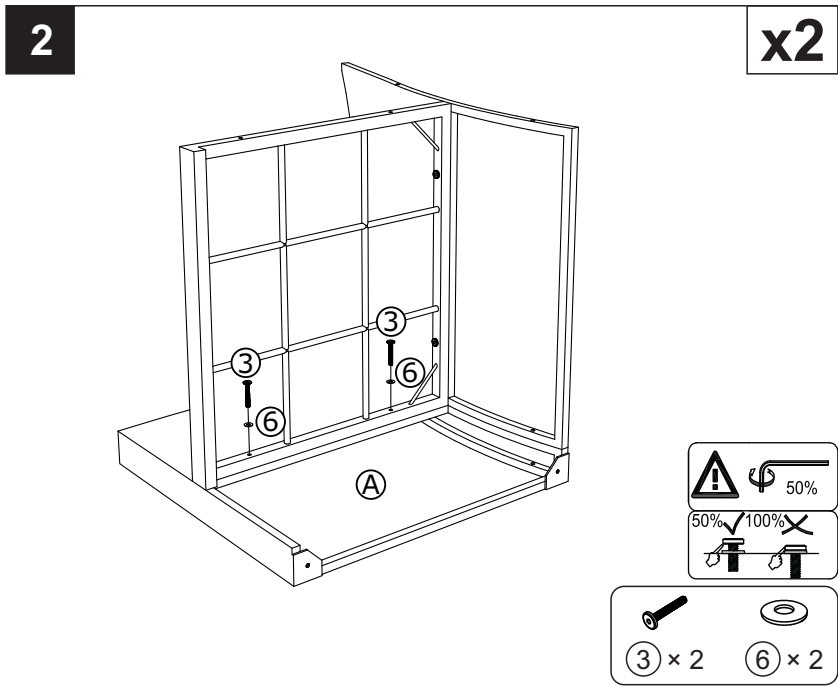
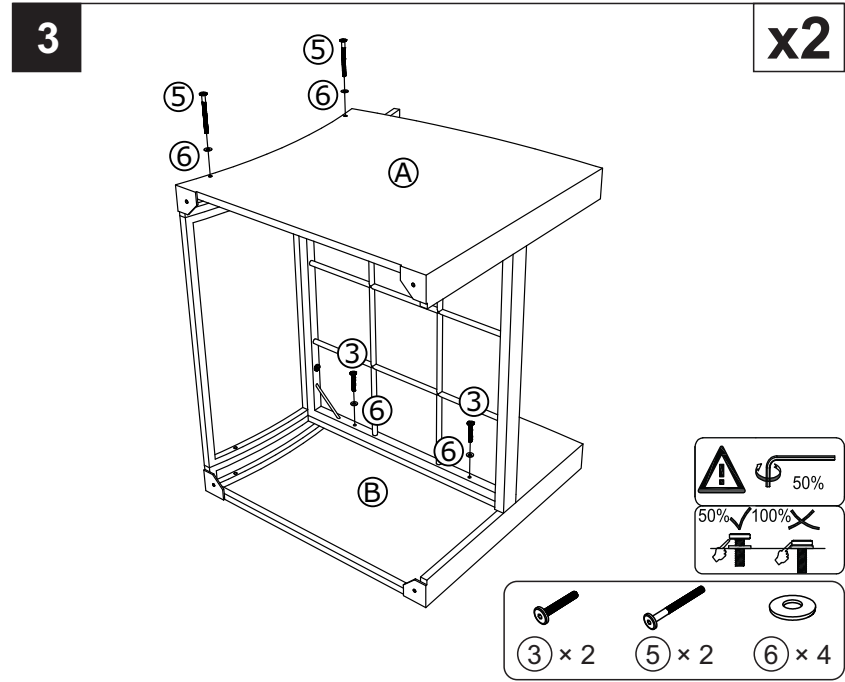
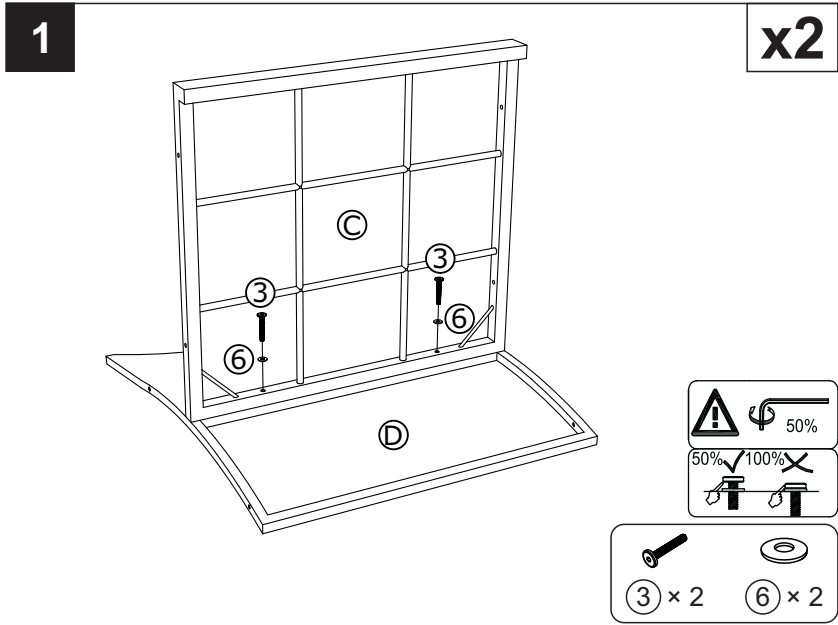
7 x12



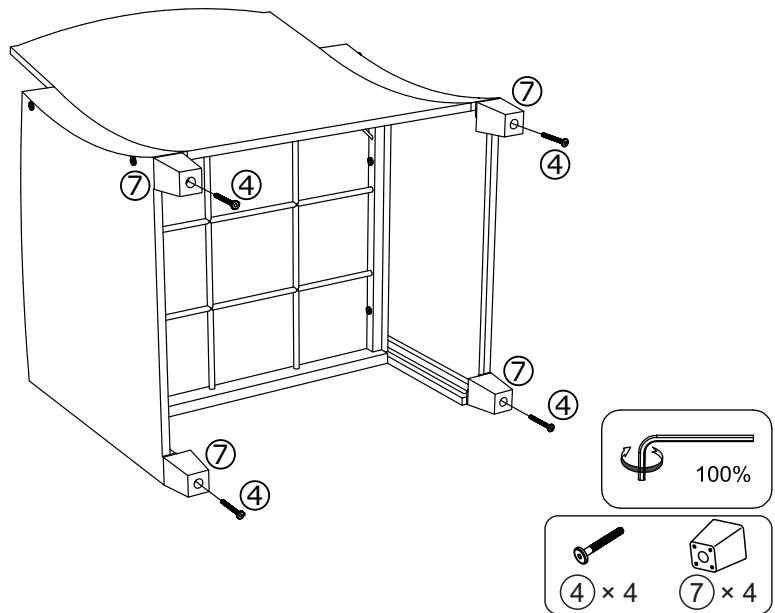
4x98 mm

8 x2

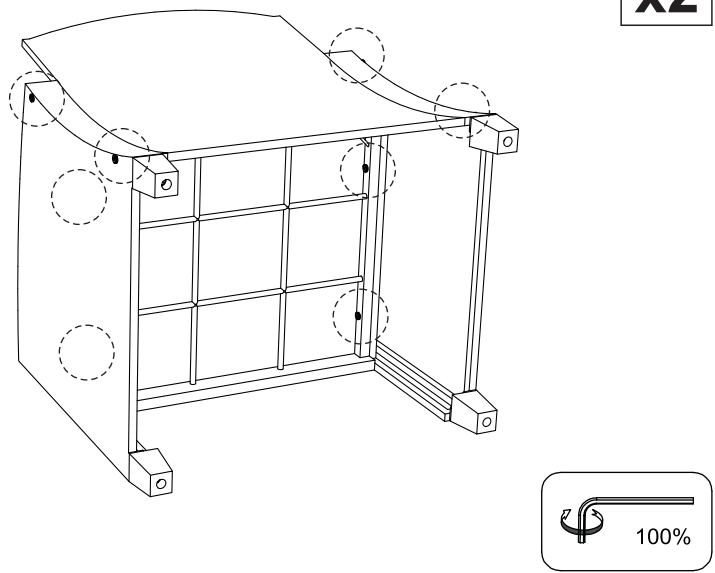
Allen Key



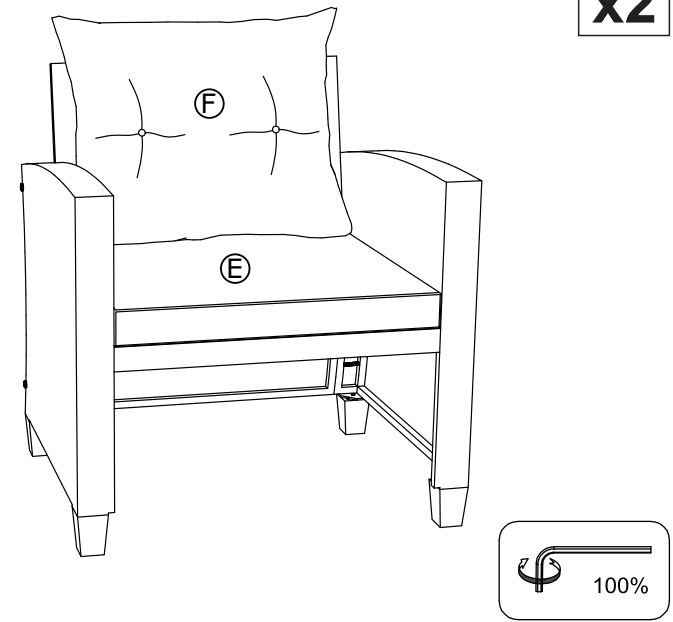
**5** **x2**



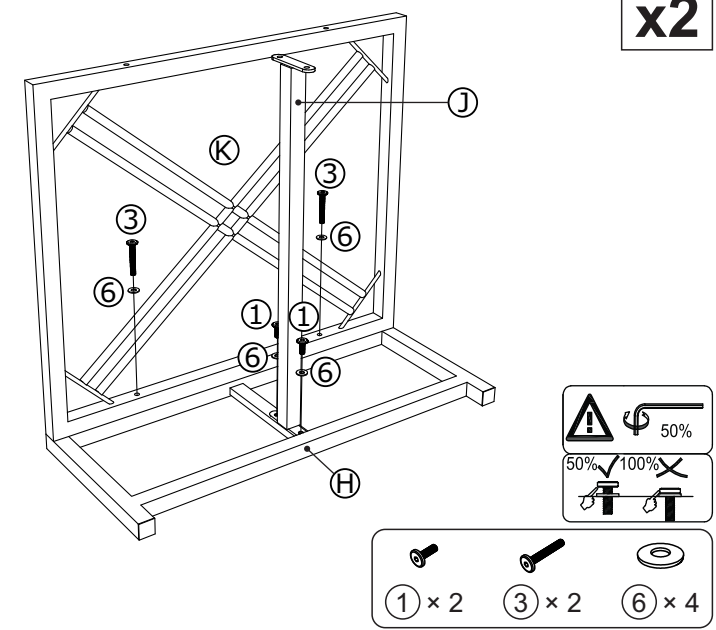
**6** **x2**

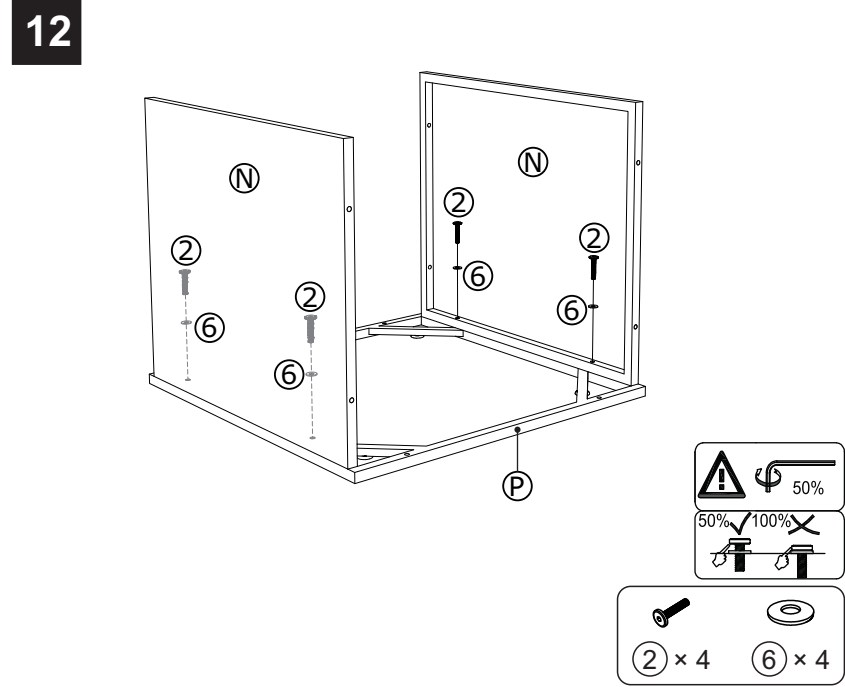
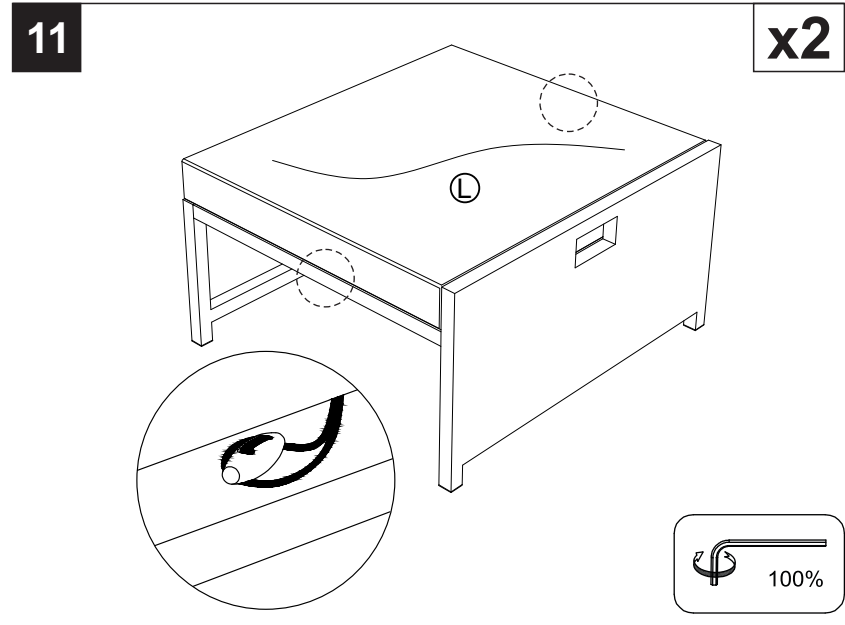
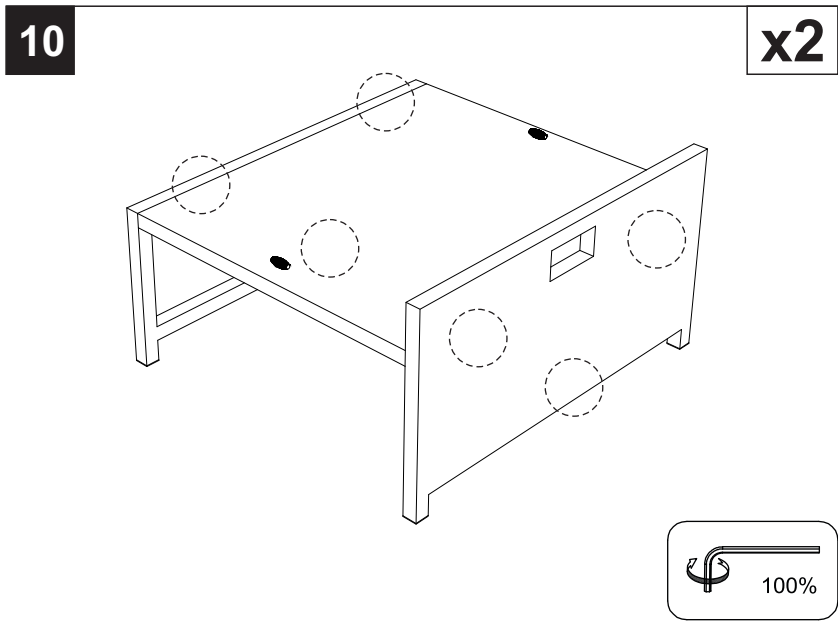
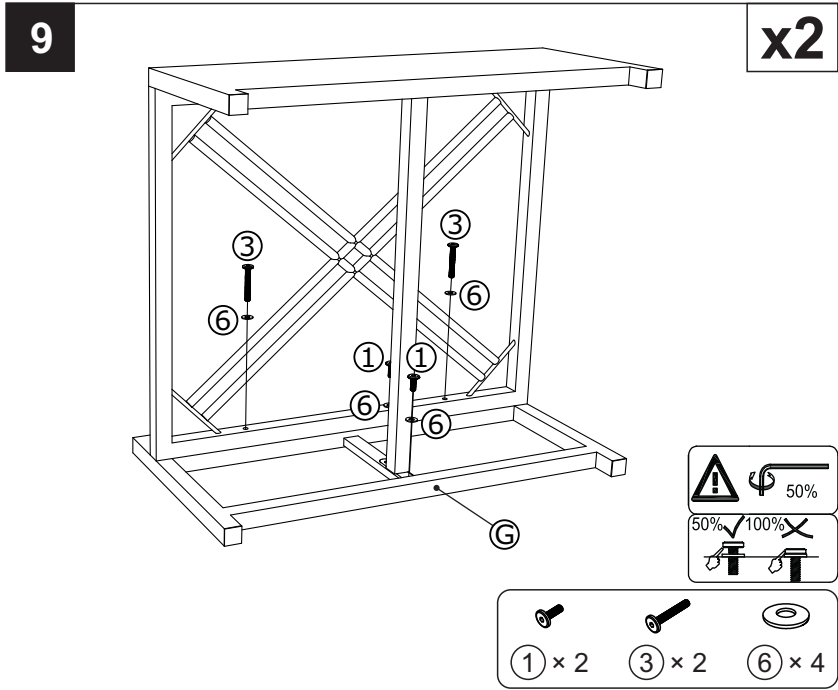


**7** **x2**

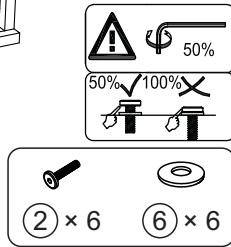
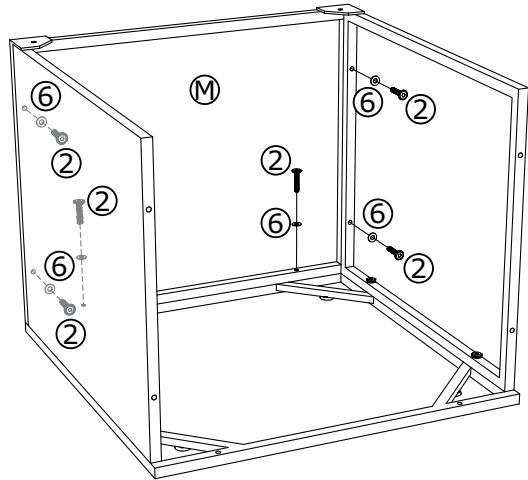


**8** **x2**

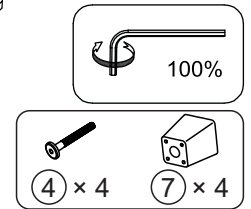
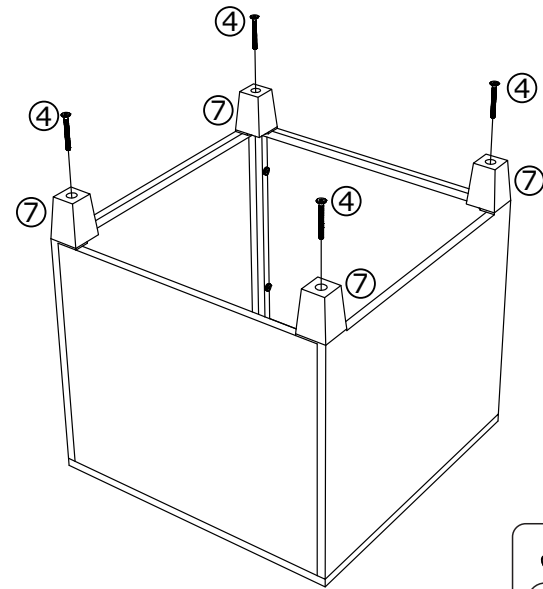




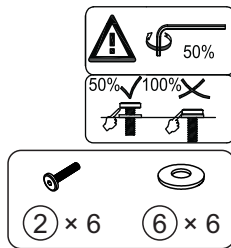
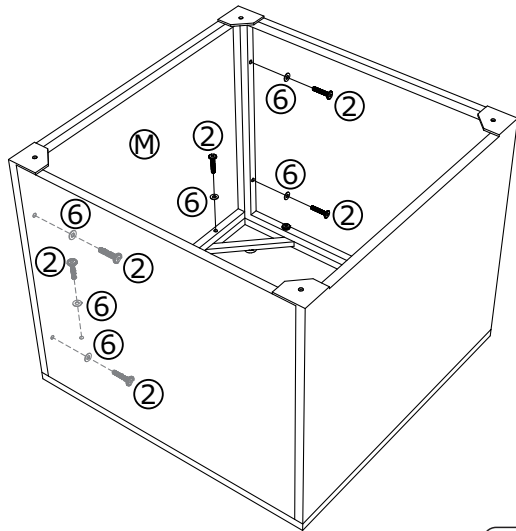
13



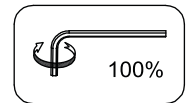
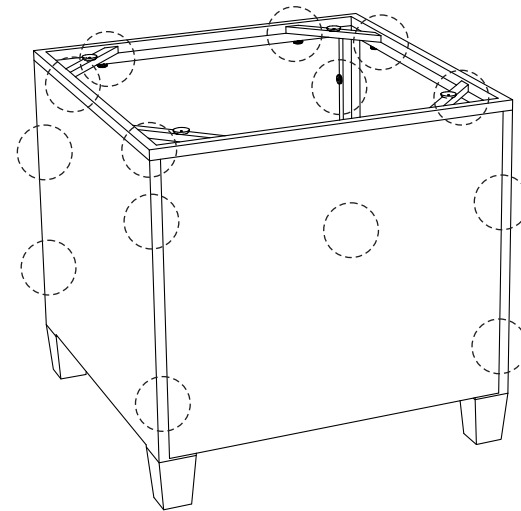
15

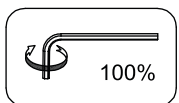
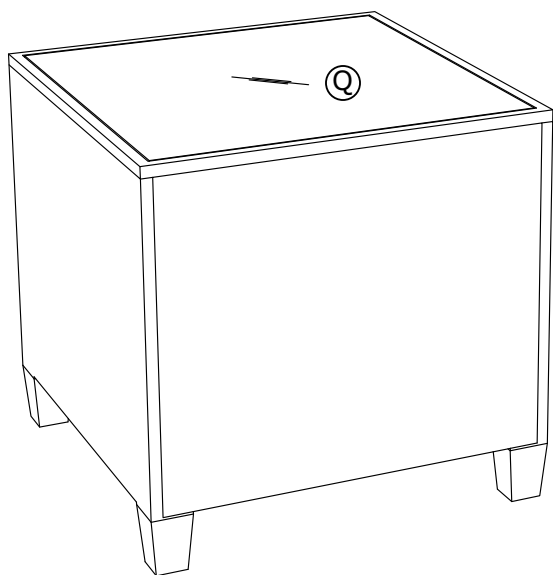


14



16





**FINISH**