

# FLEXSTEEL®

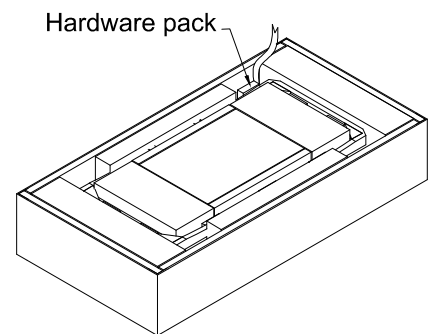
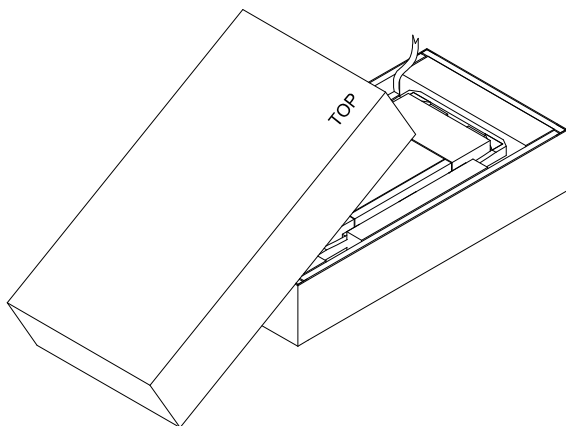
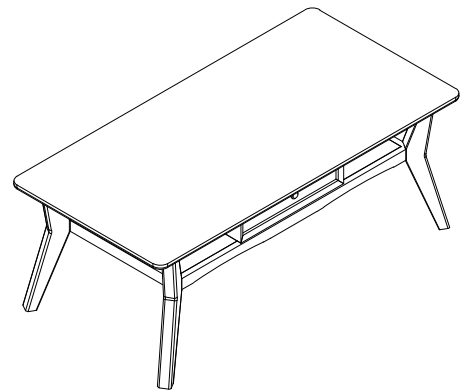
W1085-0312

## Rect. Coffee Table W / Drawer

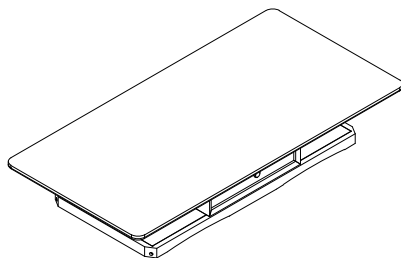
### IMPORTANT

Carefully remove all parts from the carton, and put them individually on a soft cloth to prevent damage to the parts.

We have taken great care in the design of this product and request that you carefully and accurately follow our assembly instructions to ensure proper set-up.



## Part List Assembly Instructions 1/3

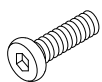


A. Table Top  
1 piece

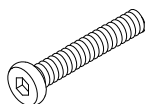


B. Leg  
4 pieces

## Hardware List



Short Bolt (a)  
Ø1/4"x5/8"  
12 pieces



Long Bolt (b)  
Ø1/4"x3"  
4 pieces



Flat Washer  
Ø1/4"  
16 pieces



Spring Washer  
Ø1/4"  
16 pieces



Hex Key  
4mm  
1 piece

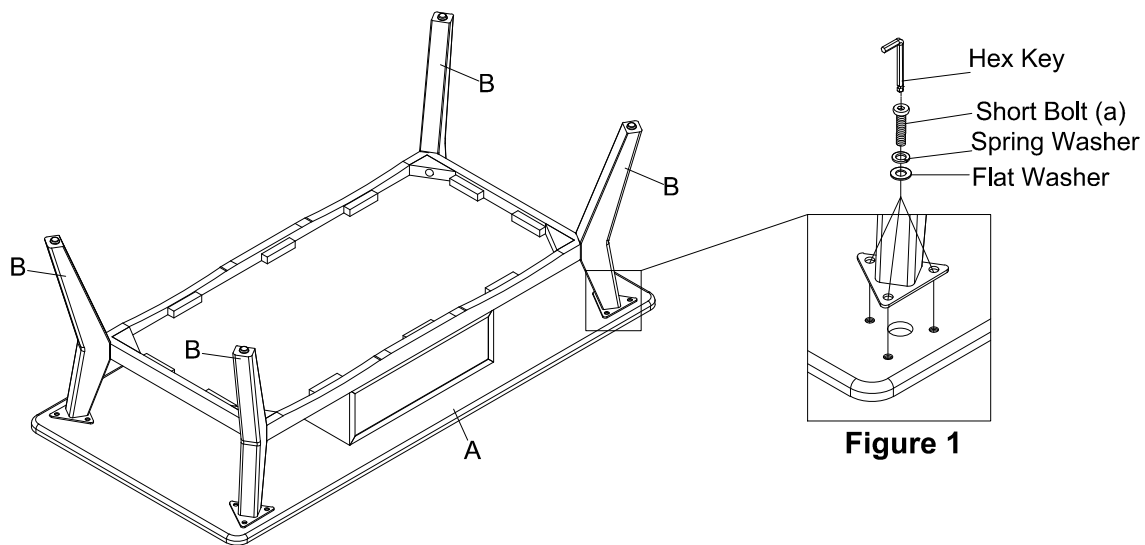
### IMPORTANT NOTES

- Do not tighten up all the bolts until each part is properly assembled.
- You should keep the Hex Key in a safe place as you may need to tighten up the bolts in the future.
- Use a soft cloth between these parts and the floor.
- We recommend at least two adults assemble this item.

### STEP 1

Assemble the Leg (B) on Table Top (A) by inserting Short Bolt (a), Spring Washer, Flat Washer with Hex Key. (See Figure 1)

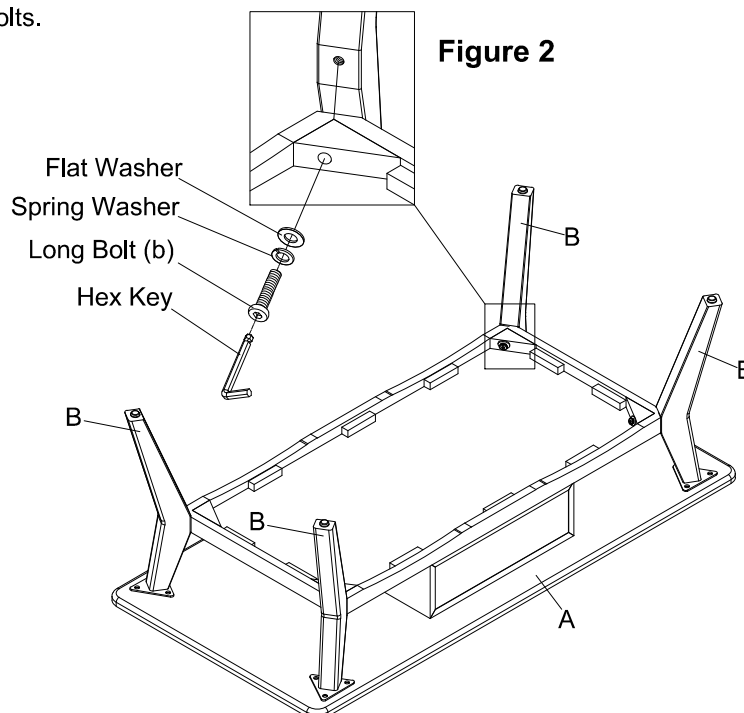
- Do not tighten up all the bolts.



### STEP 2

Assemble the Leg (B) on Table Top (A) by inserting Long Bolt (b), Spring Washer, Flat Washer and fully tighten with Hex Key. (See Figure 2)

- Tighten up all the bolts.

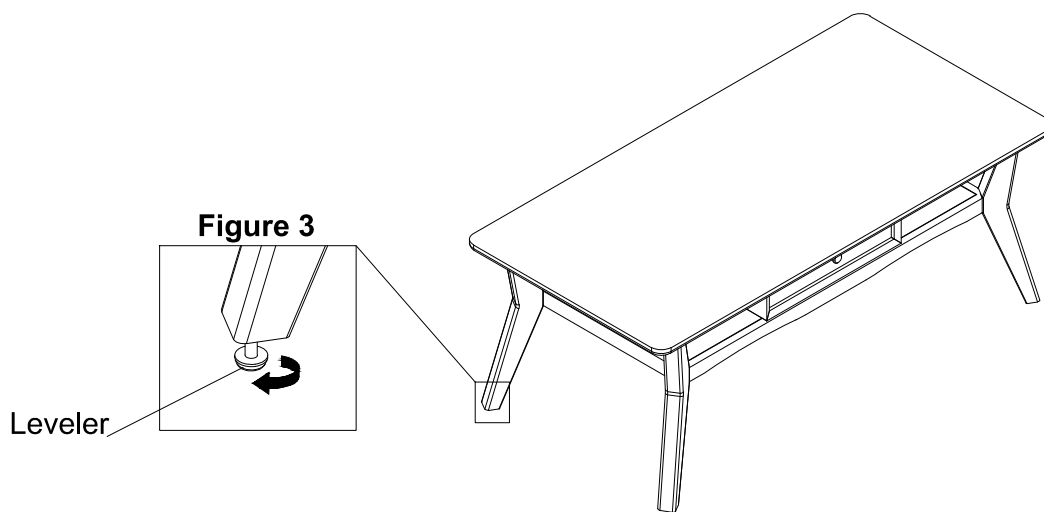


### IMPORTANT NOTES

- Do not tighten up all the bolts until each part is properly assembled.
- You should keep the Hex Key in a safe place as you may need to tighten up the bolts in the future.
- Use a soft cloth between these parts and the floor.
- We recommend at least two adults assemble this item.

### STEP 3

Flip the table over, and adjust the leveler on the legs until the table is leveled. (See Figure 3)



### CARE INSTRUCTIONS

- To avoid scratches, do not place sharp or jagged objects directly on the table top.
- Do not place hot items directly on the table top.
- Use placemats or trivets under hot items and coasters under beverages to prevent marks and stains.
- Avoid the use of harsh chemicals or abrasive cleaning materials.
- Wipe the table clean with a soft, dry cloth after each use.
- Mop up spills quickly with a soft, dry cloth.

Flexsteel Industries, Inc.

For Parts or Customer Service call  
toll-free:

1-888-415-3979  
Monday-Friday  
8:00 a.m. -5:00 p.m.  
(Central Time)

Email:  
customersolutions@flexsteel.com

www.flexsteel.com