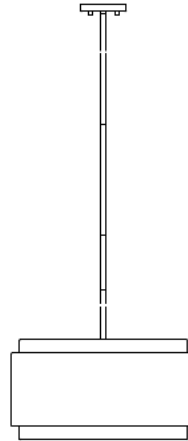


Assembly Instruction

CAUTION: Read instruction carefully and turn electricity off at main circuit breaker panel before beginning installation.



Care and Cleaning

To clean the outside of the fixture, use a dry or slightly dampened clean cloth (use clean water, never a solvent) to wipe the surface of the fixture.

To clear the inside of the fixture, first disconnect power to the fixture by turning off the circuit breaker or by removing the fuse at the fuse box. Next, use a dry or slightly dampened clean cloth (use clean water, never a solvent) to wipe the interior surface of the fixture.

Do not use any cleaners with chemical, solvents or harsh abrasives. Use Only a dry soft cloth to dust or wipe carefully.

Estimated Assembly Time: 30 minutes

Part List and Hardware List

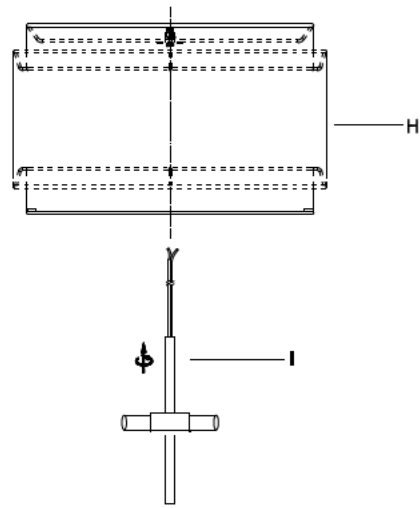
PIECE	DESCRIPTION	PICTURE	QUANTITY	PIECE	DESCRIPTION	PICTURE	QUANTITY
A	Mounting Plate		1X	H	Shade		1X
B	Wire Nut		3X	I	Socket assembly		1X
C	Mounting Screw		2X	J	Bulb		3X
D1/D2	Canopy Swivel		1X	K	Lower tube		1X
E	Canopy Nut		2X	L	Diffuser		1X
F	Short tube		2X	M	Cover plate		1X
G	Long tube		2X	N	Finial		1X

Installation

Step 1

Unpack all parts from cartons carefully.

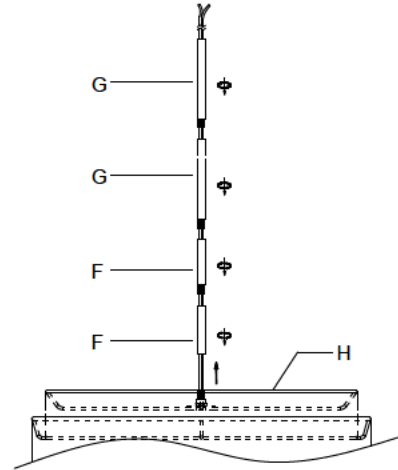
Insert the power cord through the center washer of the Shade(H) and rotate the top tube of the Socket assembly(I) clockwise till tight.



Step 2

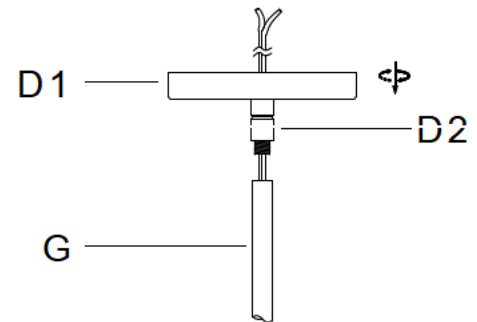
Insert the power cord through one Short Tube(F) without any teeth on both sides, fix the tube in place by inserting it into the center threaded portion of the Shade(H) until tight.

Then insert the power cord through the other Long tube(G) or Short tube(F) as you want, make sure the thread portion of the tubes are downward.



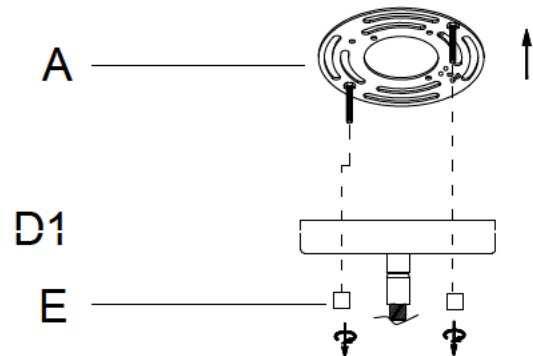
Step 3

Insert the Long tube(G) into the thread portion of the Swivel(D2) and the Canopy(D1), then cut off the extra cord so that 6" wires at least long within the outlet junction box.



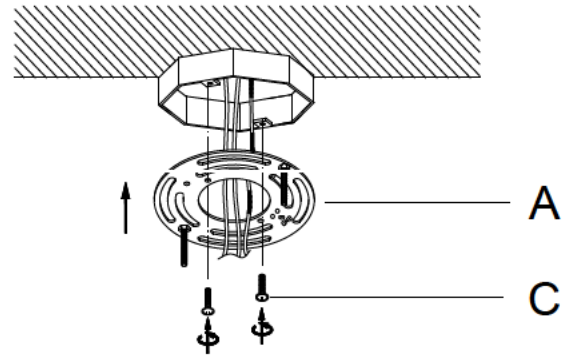
Step 4

Separate the Mounting Plate(A) from the Canopy(D1) by removing 2 Canopy Nuts(E) anti-clockwise.



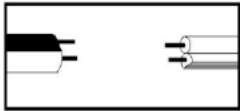
Step 5

Attach the Mounting Plate (A) to the ceiling junction box and secure it by tightening 2 Mounting Screws (C) with a screwdriver until secure.



Step 6 Wire connection

Connect, Hot, Black or Red outlet Supply Wire to:	Connect, Neutral, White Outlet Supply Wire to:
Black	White
*Parallel Cord(round&smooth)	*Parallel Cord(square&ridged)
Clear, Brown, Gold or Black without Tracer(colored stripes)	Clear, Brwn, Gold or Black without Tracer(colored stripes)
Insulated Wire(not green)with copper metal conductor	Insulated Wire(not green)with Silver metal conductor



*Note: When parallel wire(SPTI&SPTII)is used. The neutral wire is square shaped and ridged and the hot wire will be round in shape and smooth.(See illustration on left)

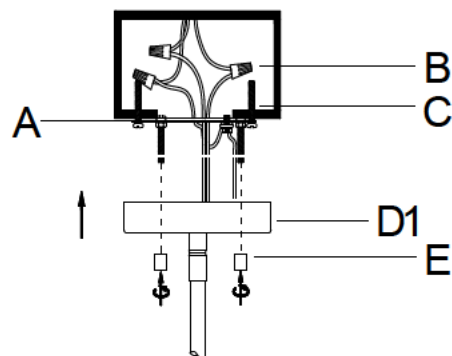


Grounding Instructions:

- For installation in the United States: Wrap ground wire from outlet box around green ground screw on mounting bracket, no less than 2" from wire end. Tighten ground screw. If fixture is supplied with a ground wire, connect to outlet ground wire with a wire connector.
- For installation in Canada: If fixture is supplied with ground wire, wrap ground wire around green grounding screw on mounting bracket. Tighten ground screw.

Step 7

Raise the Canopy (D1) over the Mounting Plate (A), making sure 2 Threaded Rods extend downwards through 2 holes on the Canopy (D1). Secure the Canopy (D1) by turning the Canopy Nuts (E) clockwise until tight.



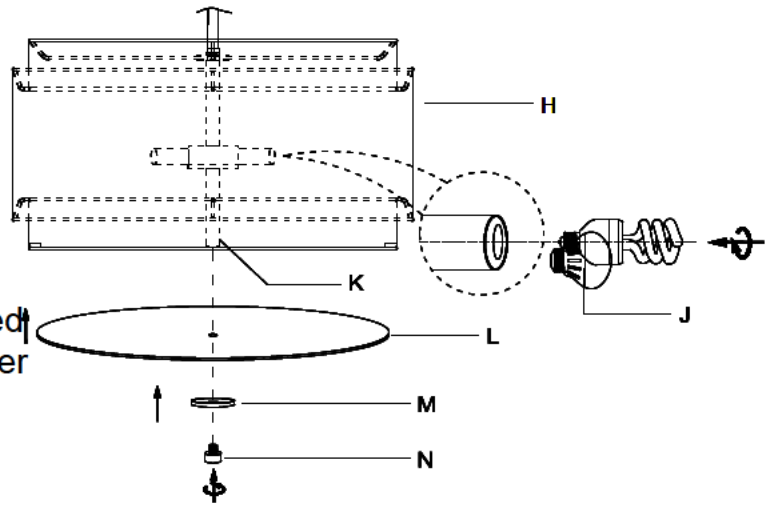
Step 8

Insert the bulbs(J) into the sockets until secure.

DO NOT EXCEED THE SPECIFIED WATTAGE.

PLEASE USE TYPE "A" BULB MAX 60-WATT OR CFL MAX 13-WATT OR LED MAX 9W THERE ARE 3*9W LED BULBS IN THE BOX.

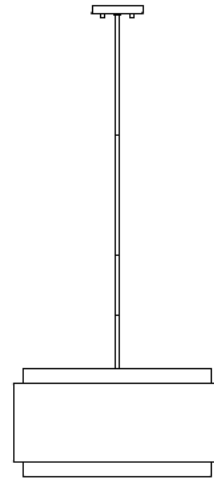
Position the Diffuser(L) onto the lower threaded tube(K), secure it in place by inserting the Cover plate (M) onto exposed threaded portion and turn the Finial(N) clockwise until tight.



*****Adjust the Swivel(D2) if the assembled lamp body is not straight.**

Step 9

Consult a qualified electrician to ensure correct branch circuit conductor



ENJOY YOUR LAMP