



**Liberty Furniture**  
INDUSTRIES, INC

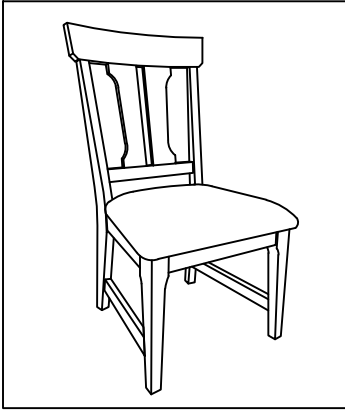
# LIBERTY FURNITURE

## ASSEMBLY INSTRUCTION

**ITEM # 528-C2501S**

**DESCRIPTION : SPLAT BACK SIDE CHAIR (RTA)**

Thank you for purchasing this quality product. Be sure to check all packing material carefully for small parts which may have come loose inside the carton during shipment. Identify and count all parts and compare with the parts List Below :

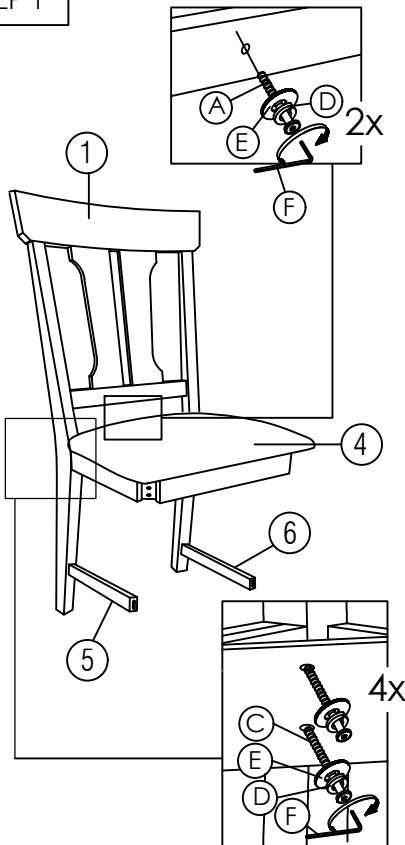


PART LIST			
NO	SKETCH	DESCRIPTION	QTY
1		Chair Back	1 pc
2		Front Leg Left	1 pc
3		Front Leg Right	1 pc
4		Seat Frame With Cushion Seat	1 pc
5		Side Stretcher Left	1 pc
6		Side Stretcher Right	1 pc

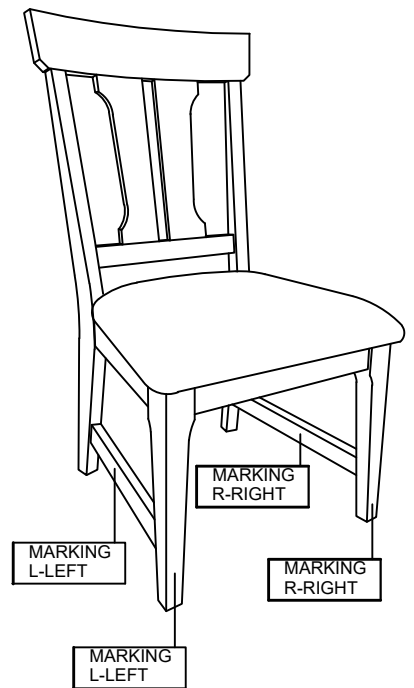
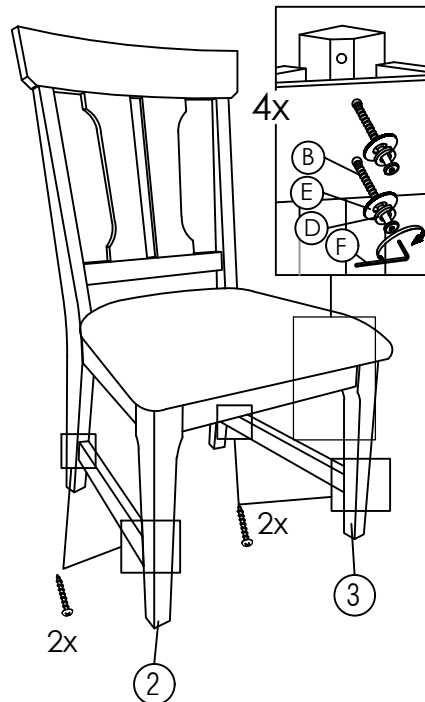
7 ASSEMBLY HARDWARE PACK			
NO	SKETCH	HARDWARE	QTY
A		Jcbc Bolt (Short)	2 pcs
B		Jcbc Bolt (Medium)	4 pcs
C		Jcbc Bolt (Long)	4 pcs
D		Lock Washer	10 pcs
E		Flat Washer	10 pcs
F		Allen Key	1 pc
G		P.H Screw	4 pcs

### ASSEMBLY STEP

#### STEP 1



#### STEP 2



**ASSEMBLY COMPLETED**

#### ASSEMBLY TIPS:

1. Remove hardware from box and sort by size.
2. Please check to see that all hardware and parts are present prior start of assembly.
3. Please follow attached instructions in the same sequence as numbered to assure fast and easy assembly.

#### ▲ WARNING!

1. Don't attempt to repair or modify parts that are broken or defective. Please contact the store immediately.
2. This product is for home use only and not intended for commercial establishments.