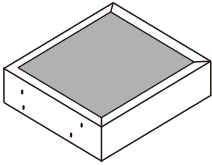
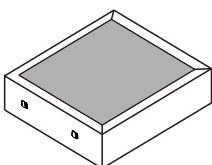
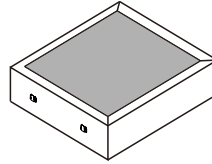
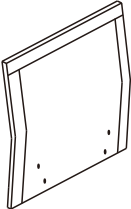
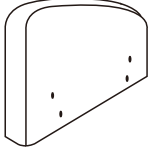
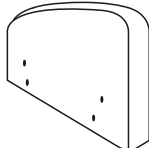
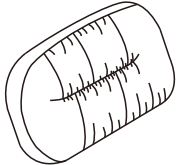
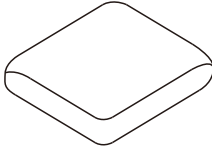
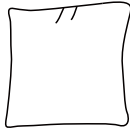




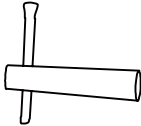


Assembly Instructions

IF YOU BUY 3 SEATER SOFA
please follow below assembly instruction

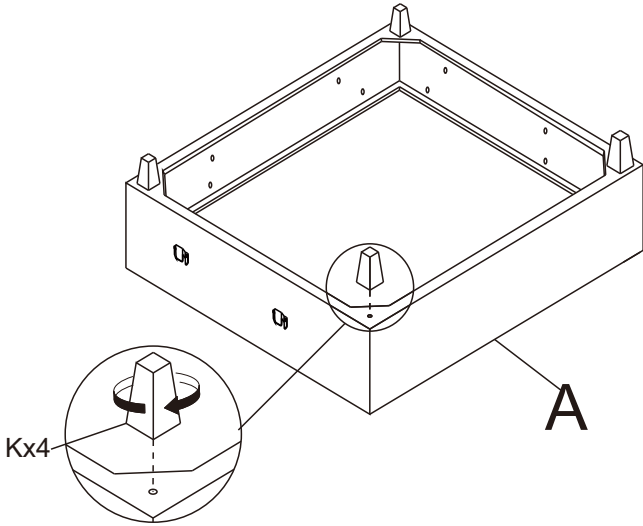
Parts List

<p>A</p>  <p>Left seat frame x1</p>	<p>B</p>  <p>Seat frame x1</p>	<p>C</p>  <p>Right seat frame x1</p>
<p>E</p>  <p>Backrest x3</p>	<p>F</p>  <p>Left armrest x1</p>	<p>G</p>  <p>Right armrest x1</p>
<p>H</p>  <p>Back cushion x3</p>	<p>I</p>  <p>Seat cushion x3</p>	<p>J</p>  <p>Pillow x2</p>
<p>K</p>  <p>Leg x12</p>	<p>M</p>  <p>M8*80cm Bolt x20</p>	<p>N</p>  <p>M8 Nut x20</p>
<p>O</p>  <p>M8 Washer x20</p>	<p>P</p>  <p>Allen key x1</p>	

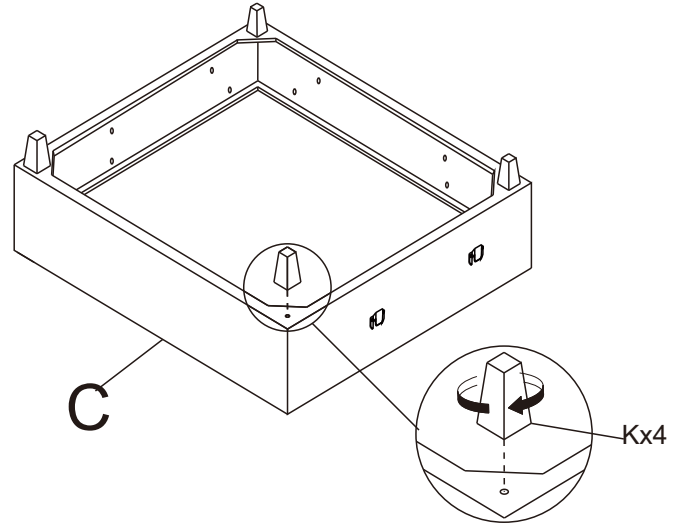
Note: Please retain all boxes until you are certain that your product isn't damaged and that you do not wish to return it. Disposal of boxes may prevent our ability to resolve your request.

STEP 1

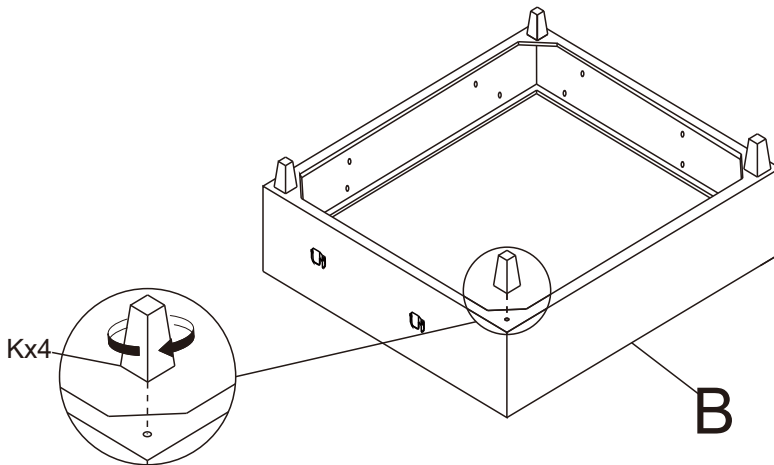
- ① Assemble the Leg (K) to the Left seat frame (A)



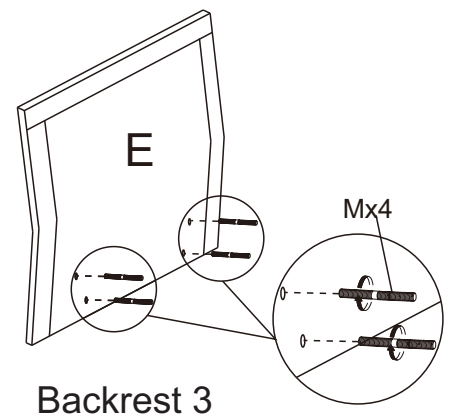
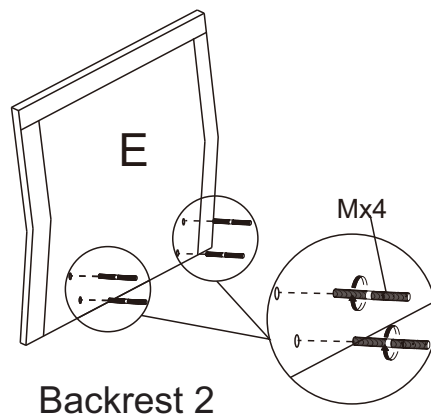
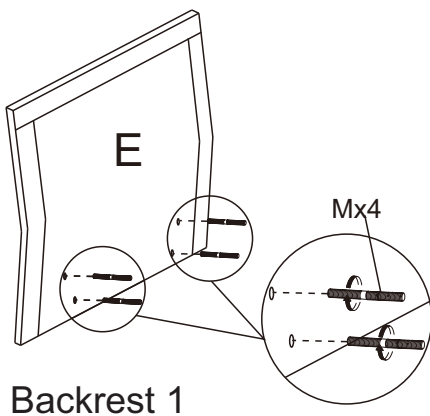
- ② Assemble the Leg (K) to the Right seat frame (C)



- ③ Assemble the Leg (K) to the Seat frame (B)

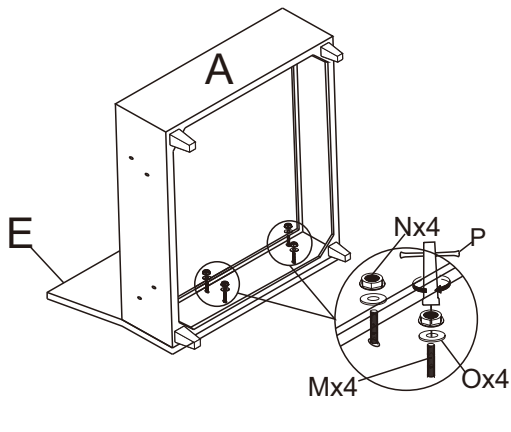


- ④ Pre-assemble the Backrest (E) with Bolts (M)

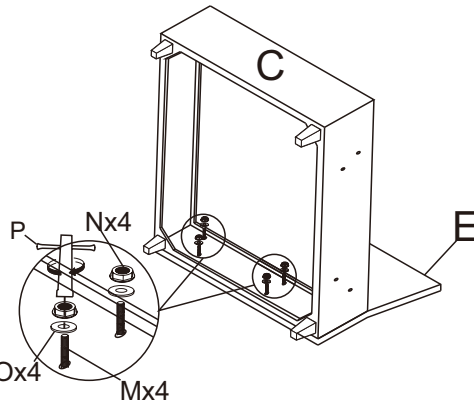


STEP 2

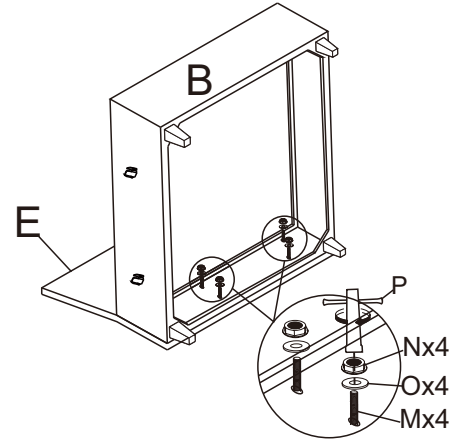
- 5 Assemble the Backrest (E) to the Left seat frame (A) with Bolts (M) and Nuts (N) and Washers (O)



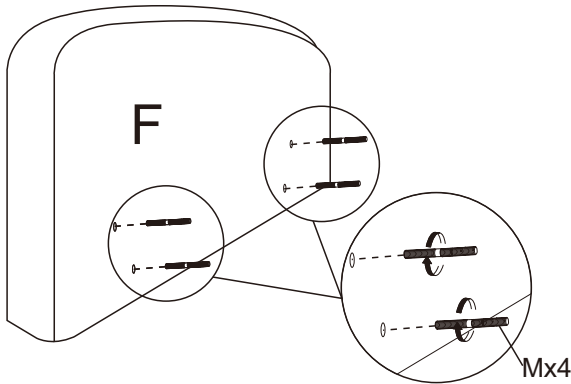
- 6 Assemble the Backrest (E) to the Right seat frame (C) with Bolts (M) and Nuts (N) and Washers (O)



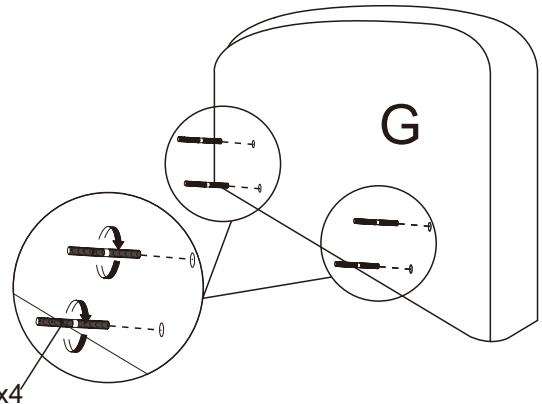
- 7 Assemble the Backrest (E) to the Seat frame (B) with Bolts (M) and Nuts (N) and Washers (O)



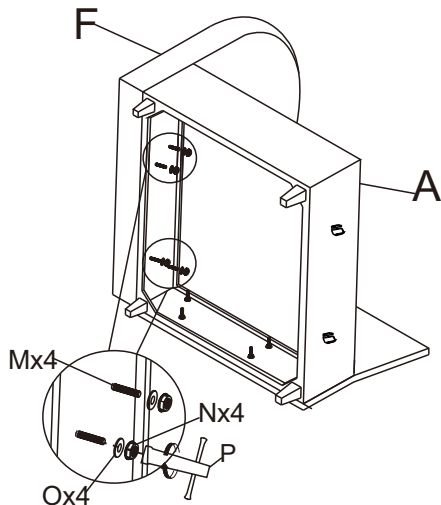
- 8 Pre-assemble the Left armrest (F) with Bolts (M)



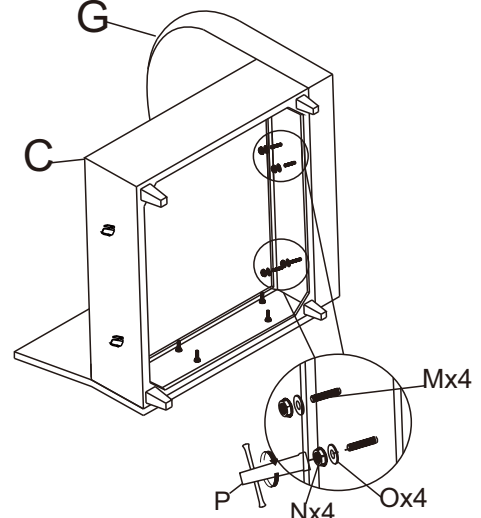
- 9 Pre-assemble the Right armrest (G) with Bolts (M)



- 10 Assemble the Left armrest (F) to the Left seat frame (A) with Bolts (M) and Nuts (N) and Washers (O)

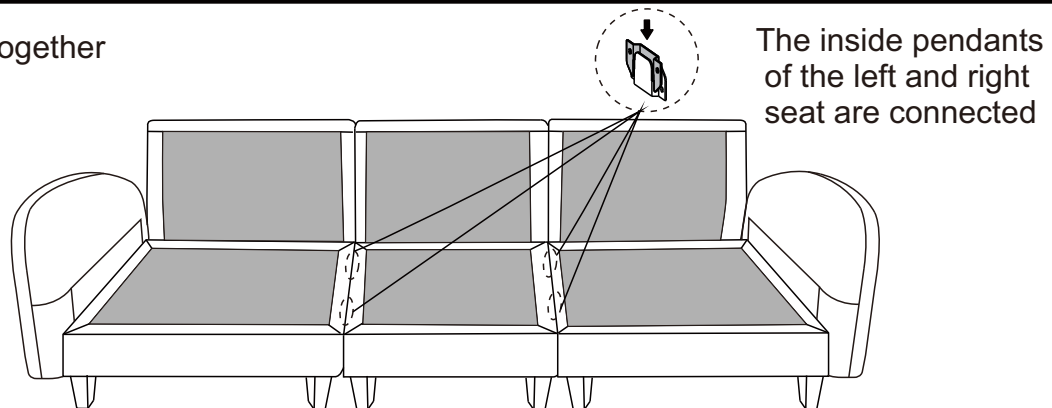


- 11 Assemble the Right armrest (G) to the Right seat frame (C) with Bolts (M) and Nuts (N) and Washers (O)

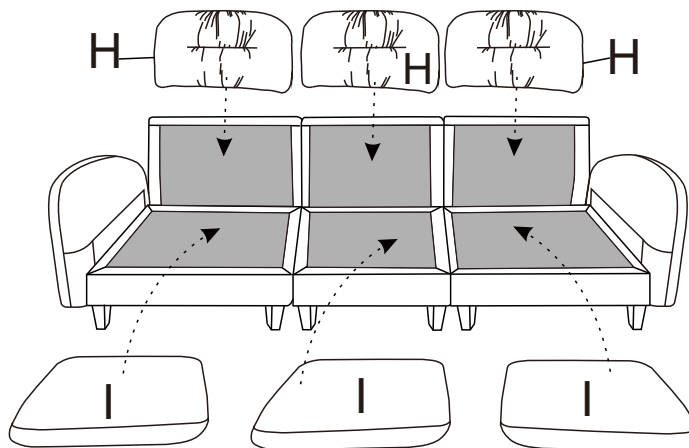


STEP 3

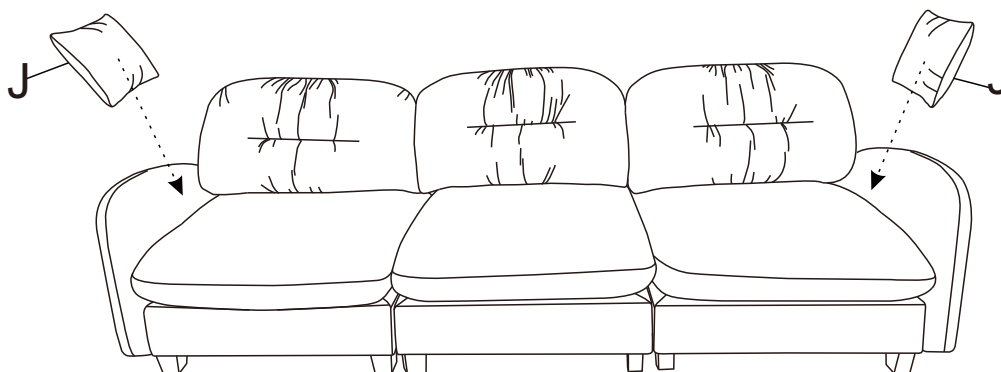
12 Insert the two mounts together



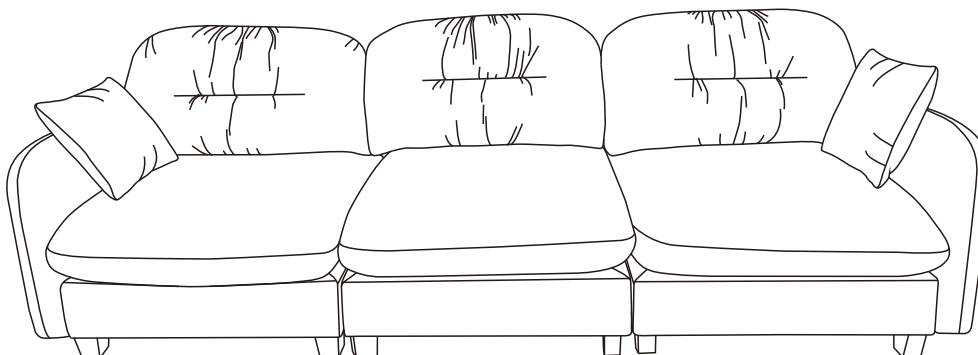
13 Put Back cushion (H) and Seat cushion (I) to the sofa



14 Put Pillow (J) to the sofa

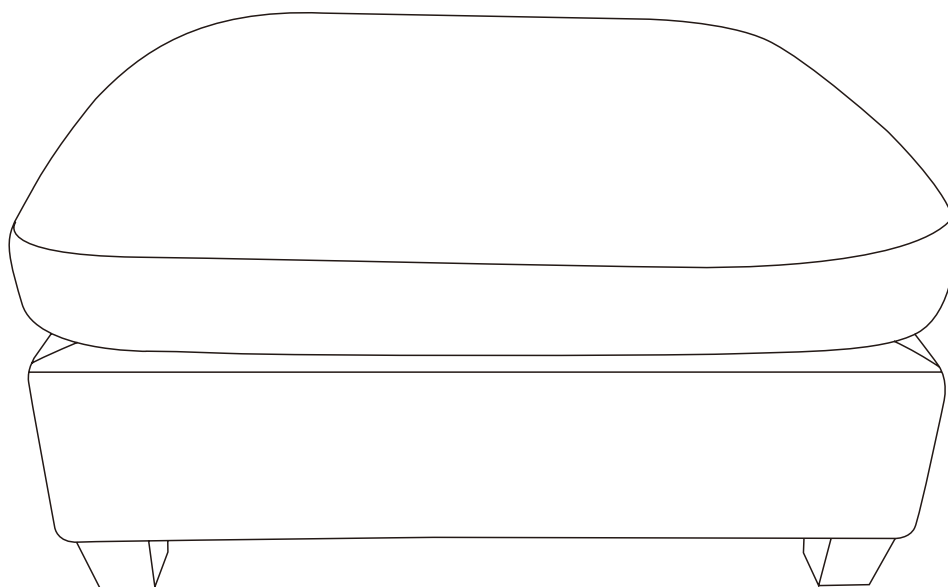


15 Completed .



ASSEMBLY INSTRUCTION

Ottoman



Thank you for choosing our product.

To ensure safe and satisfactory use of this product, please carefully read the below instructions before hand.

1. Our cushions are vacuum packed for convenient shipping. Please allow 2-3 days for them to fully expand to their original shape and for any wrinkles to disappear.

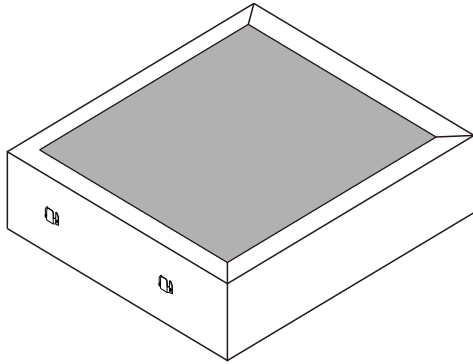
2. In the event that a part is damaged or missing, no need to return the product, we will gladly help and ship your replacement parts free of charge.

Assembly Instructions

OTTOMAN

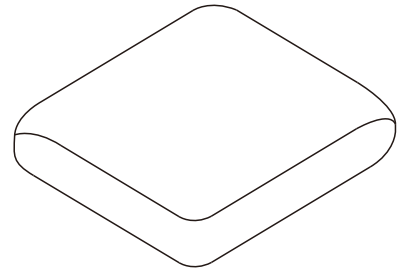
Parts List

B



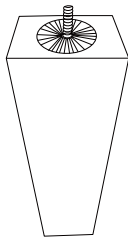
Seat frame*1

Q



Seat cushion*1

K

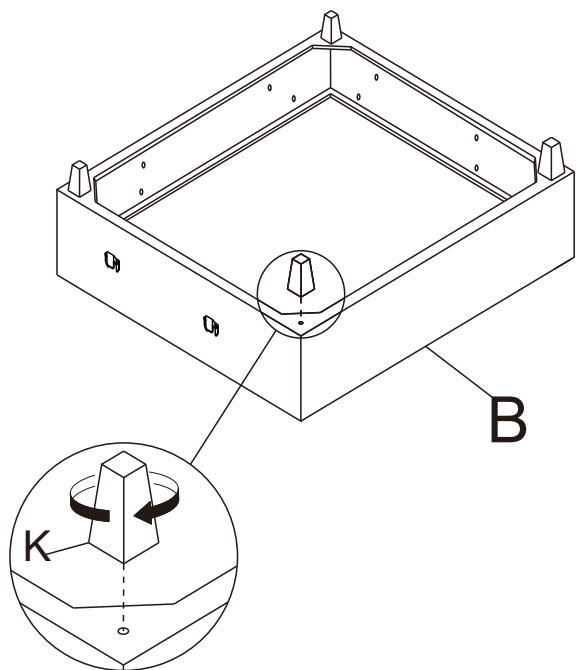


Leg*4

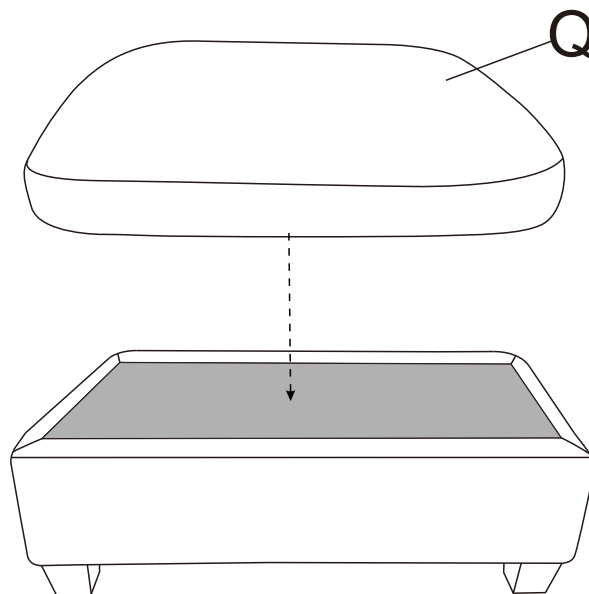
Note: Please retain all boxes until you are certain that your product isn't damaged and that you do not wish to return it. Disposal of boxes may prevent our ability to resolve your request.

STEP 1

- ① Assemble the Leg(K) to the Seat frame (B) .



- ② Put Seat cushion(Q) to the sofa.



- ③ Completed.

