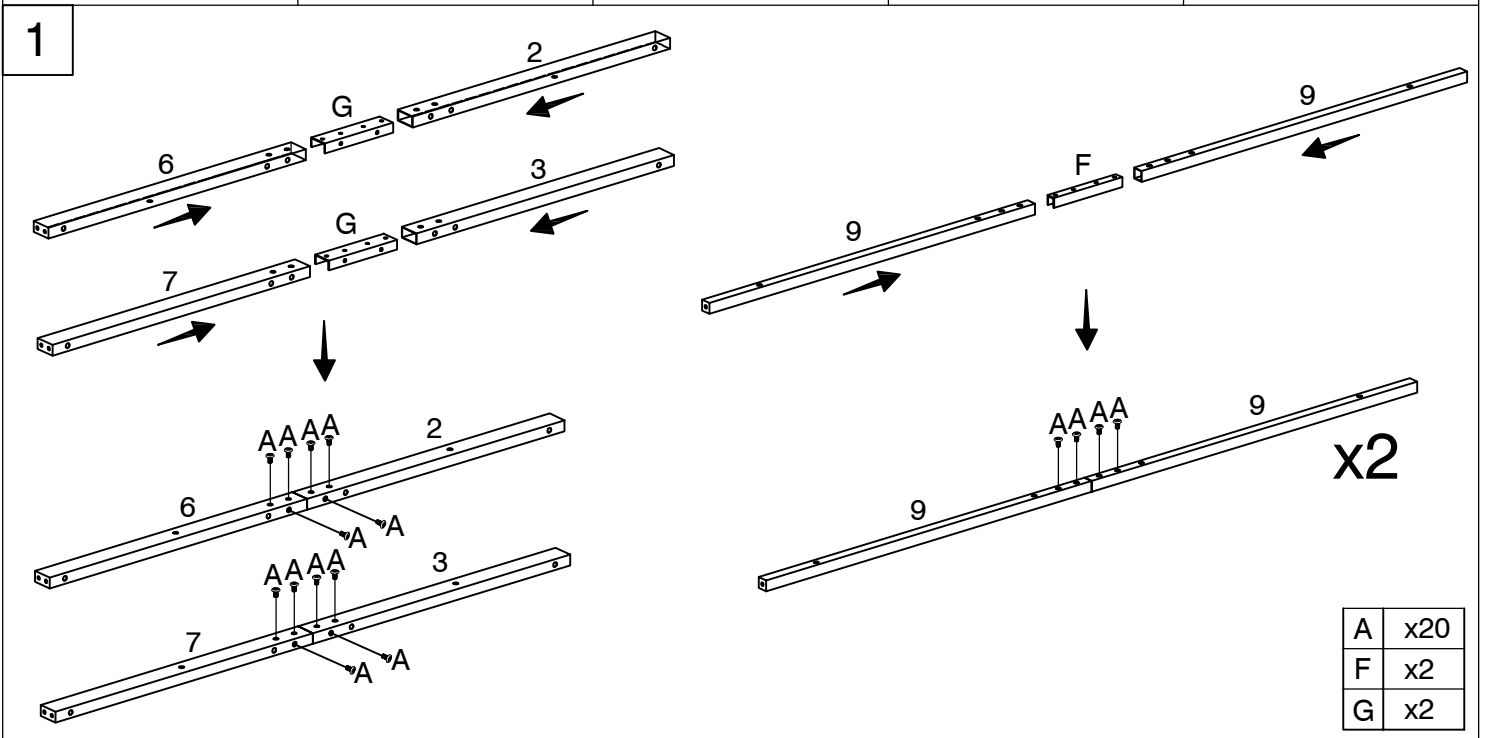
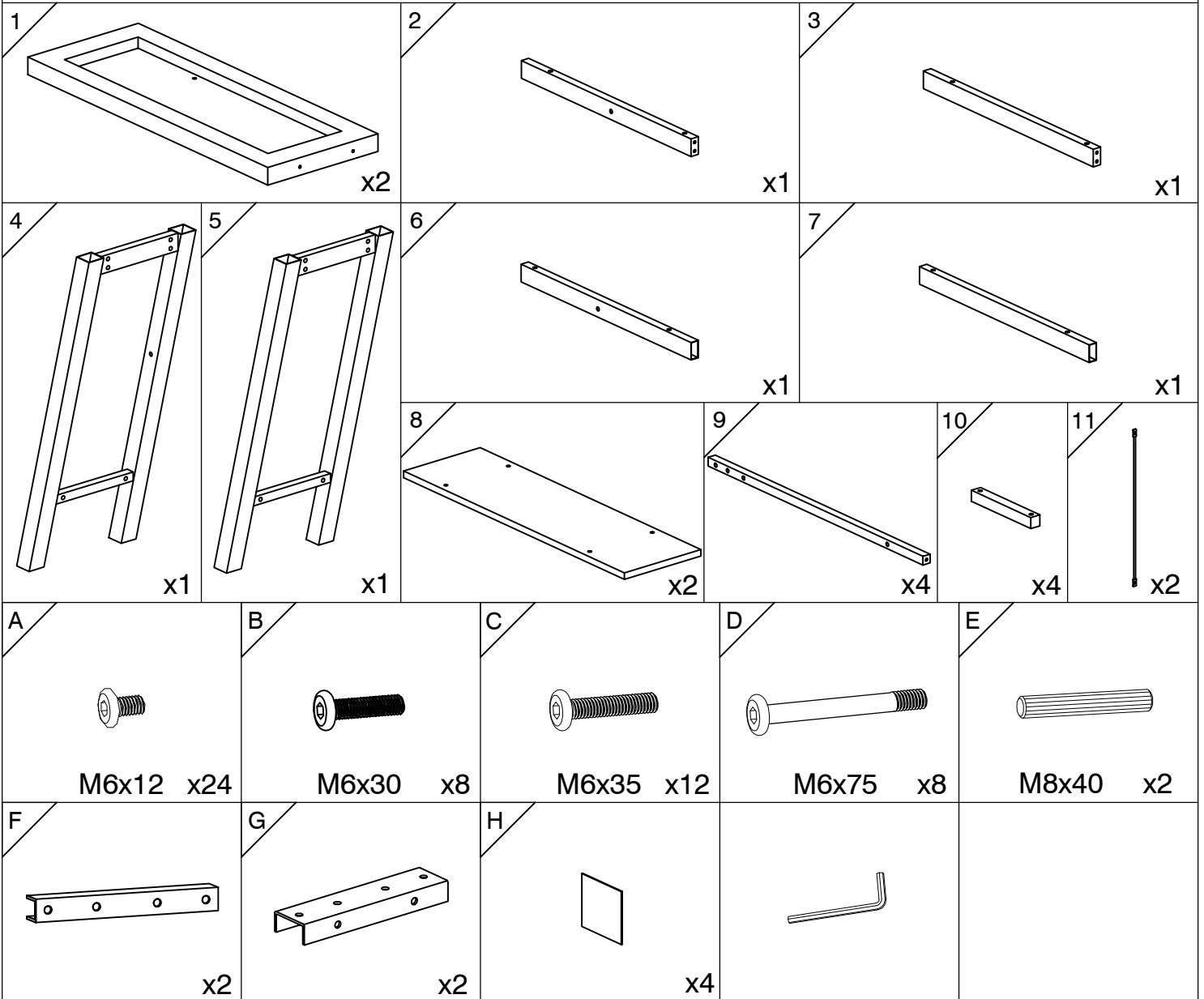
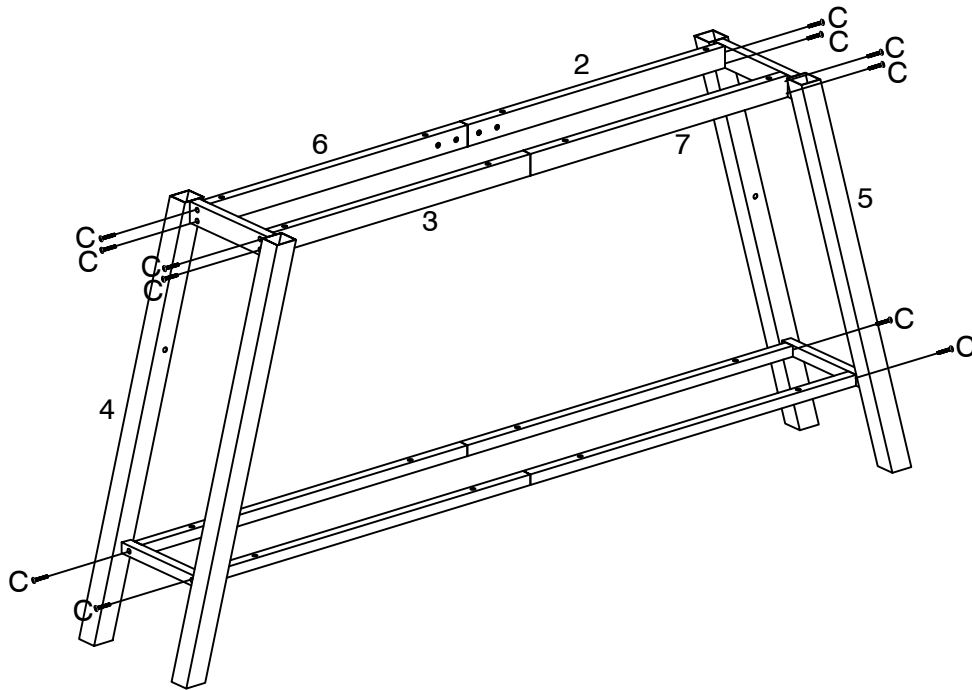


Assembling Instruction

Attention: Do not tighten the screws until all of them are in right positions

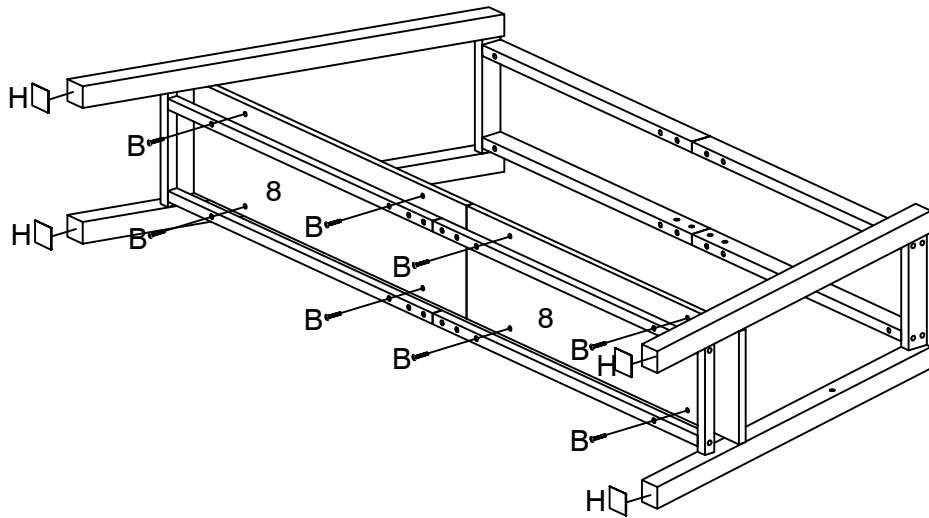


2



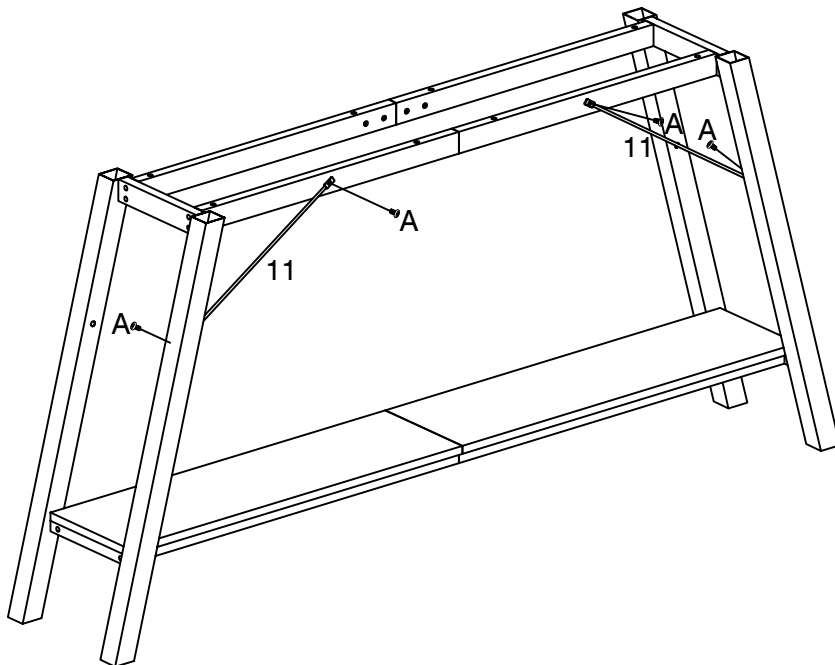
C	x12
---	-----

3



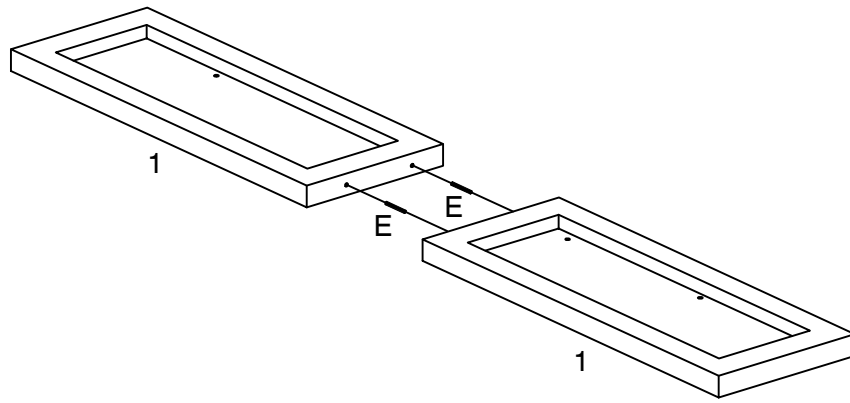
B	x8
H	x4

4



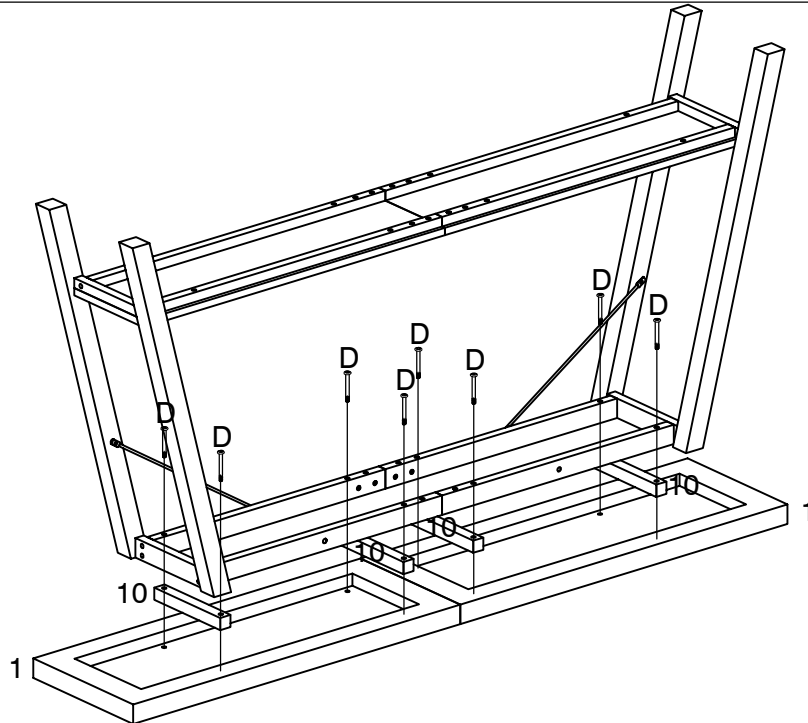
A	x4
---	----

5



E x2

6



D x8

7

