

Gazebo

Assembly and Safety Instructions



Questions, problems, missing parts? Contact us via email at
US Tel: +1 (888) 857-8979
Email: US&Other Countries: info@garvee.com
Please tell us your order ID when contact us

READ ALL INSTRUCTIONS BEFORE USE

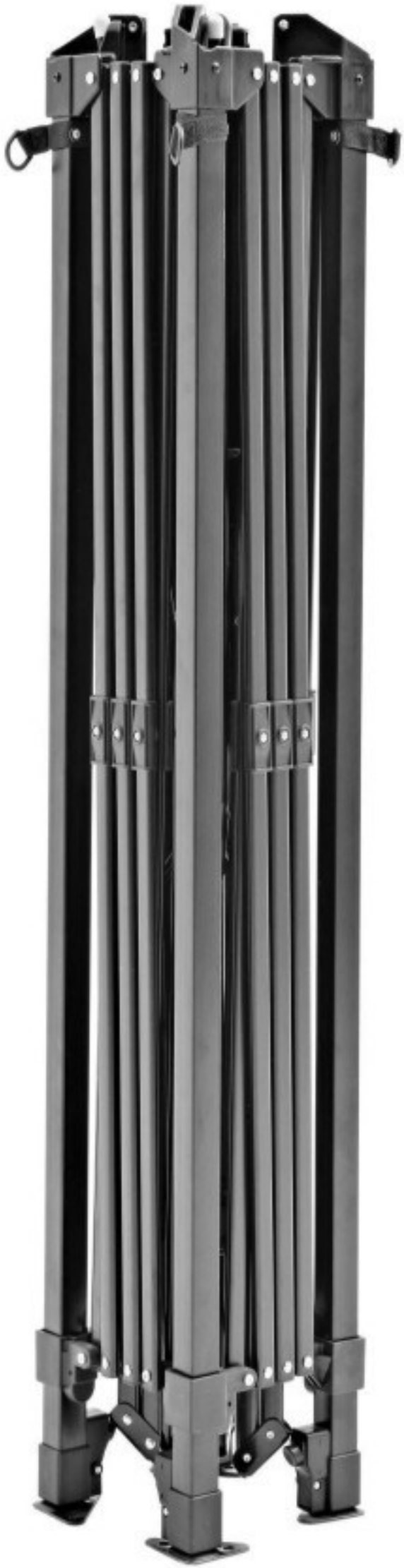
This is an easy pop up instant canopy.
DO NOT leave it outdoors over a week and
take it down every time after you use.

▲ WARNING --To reduce the risk of fire, electrocution, or serious personal injury:

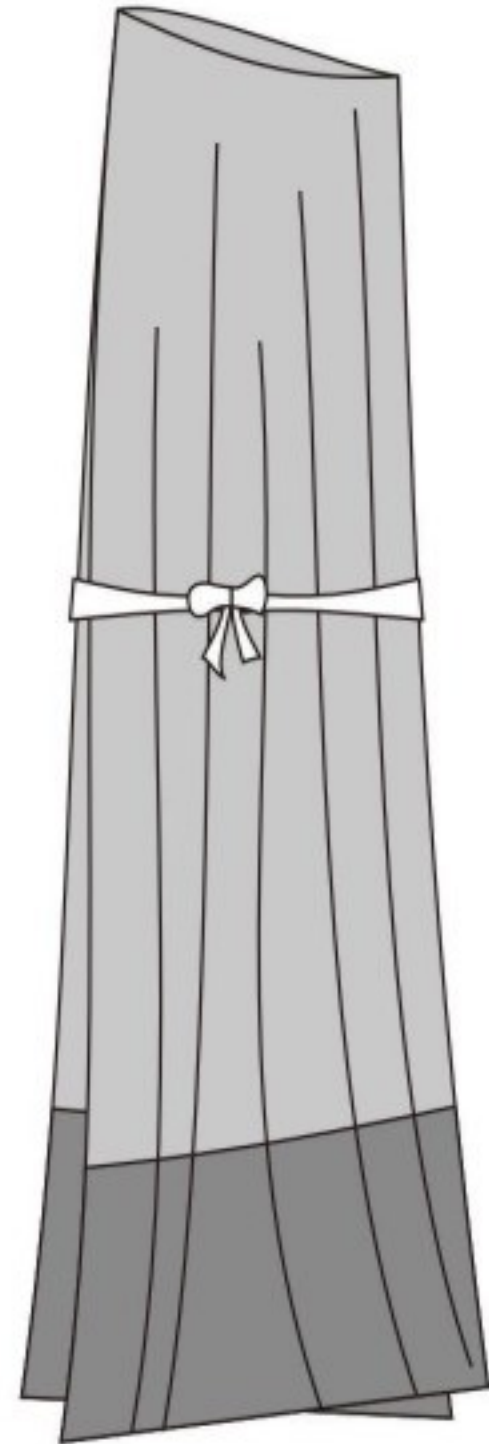
- This product is not a toy. Children are not allowed to assemble /disassemble this item. Extra caution and close supervision are necessary when assembling/disassembling or using this product near children.
- To avoid a pinch hazard, DO NOT insert fingers, hands, or other body parts between the folding parts of the product, especially when assembling or disassembling the product.
- Do not stand under this product during a lightning storm.
- DO NOT use the product during inclement weather.
- DO NOT barbecue or use open flames (e.g. candles, lanterns, fireworks) under or near this product.
- Only adults should assemble or disassemble this product for use and/or storage.

▲ CAUTION --To reduce the risk of personal injury:

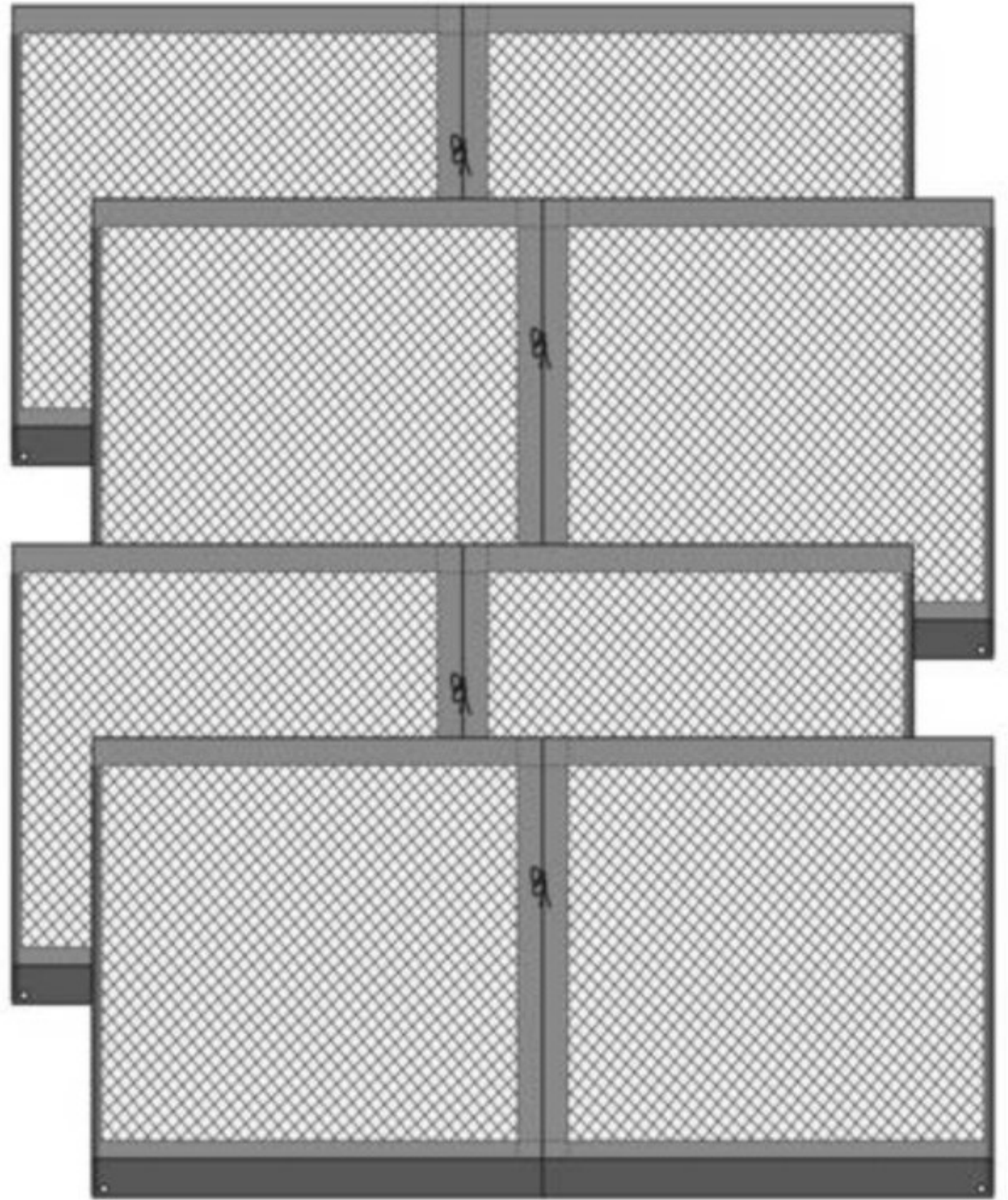
- This product is intended for use as a decorative sunshade and is not designed to withstand severe weather conditions (e.g. high wind, heavy rain). DO NOT use the product for any other purpose.
- DO NOT leave the product permanently assembled, as it is a temporary structure.
- DO NOT lean on or attempt to climb on this product.
- Always position this product on a firm, level ground surface that allows insertion of the Ground Stakes to secure product placement.
- DO NOT use this item if any parts show signs of instability or damage.



1 x Steel Frame Stand



1 x Top Cover



4 x Mesh Screen



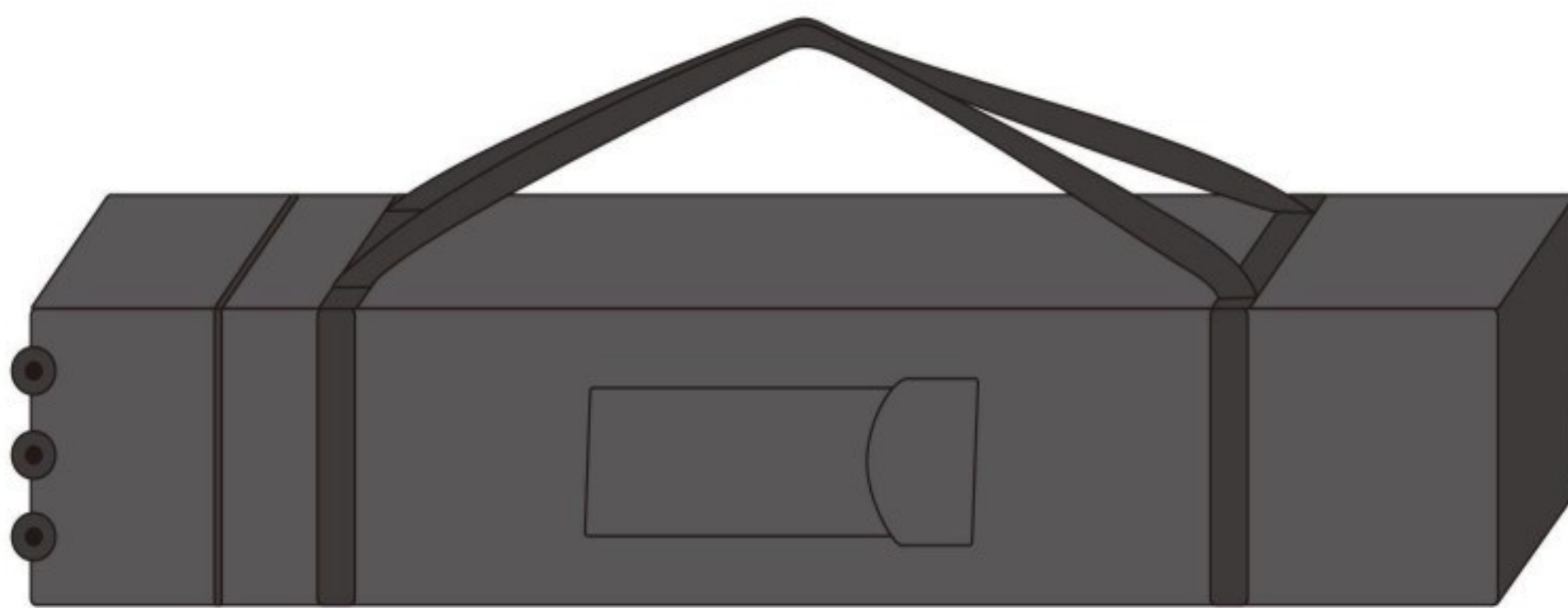
1 x Small Top Cover



8 x Ground Stake Large



16 x Ground Stake Small



1 x Wheeled Carrying Bag

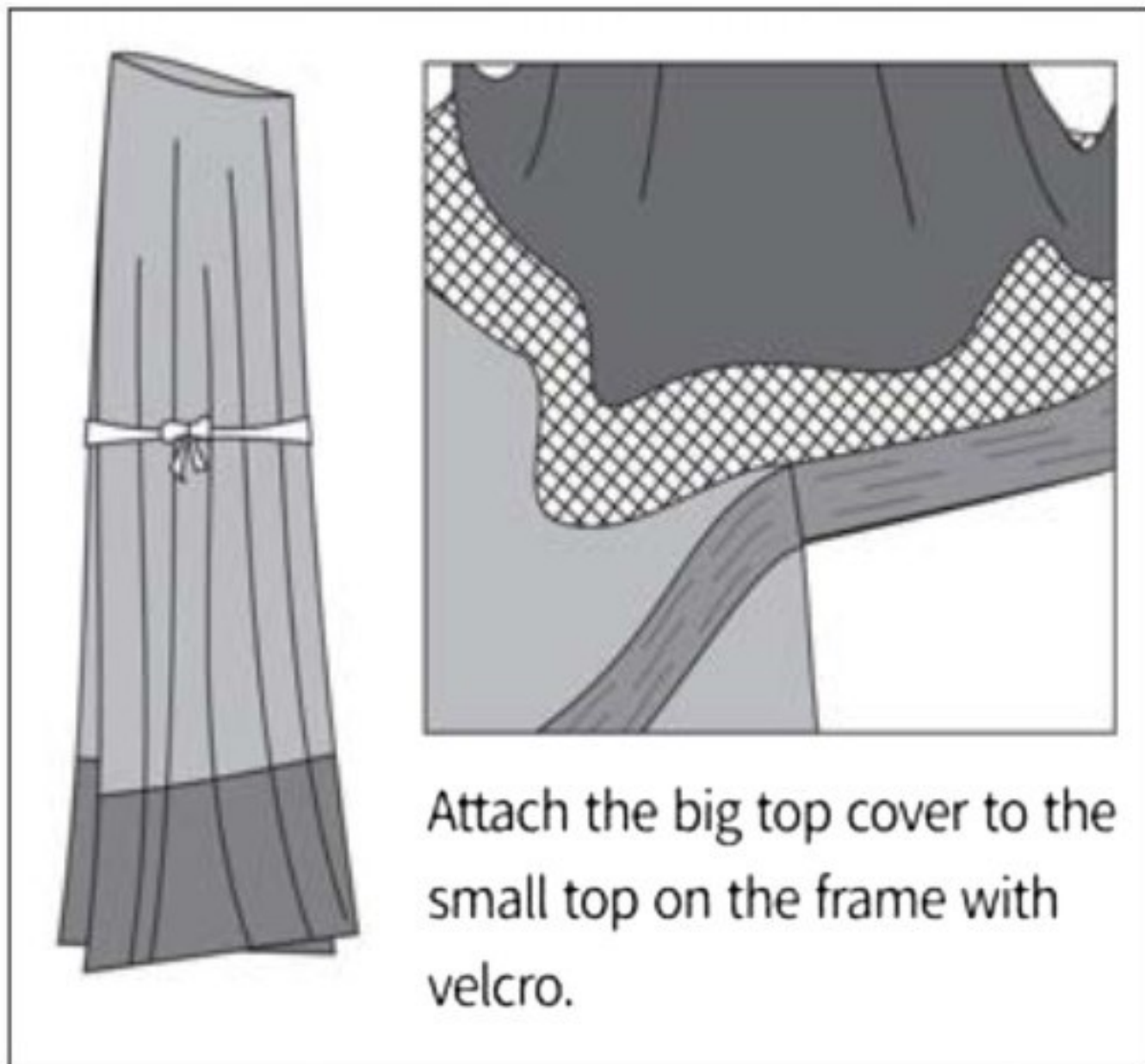


4 x Guy Cord

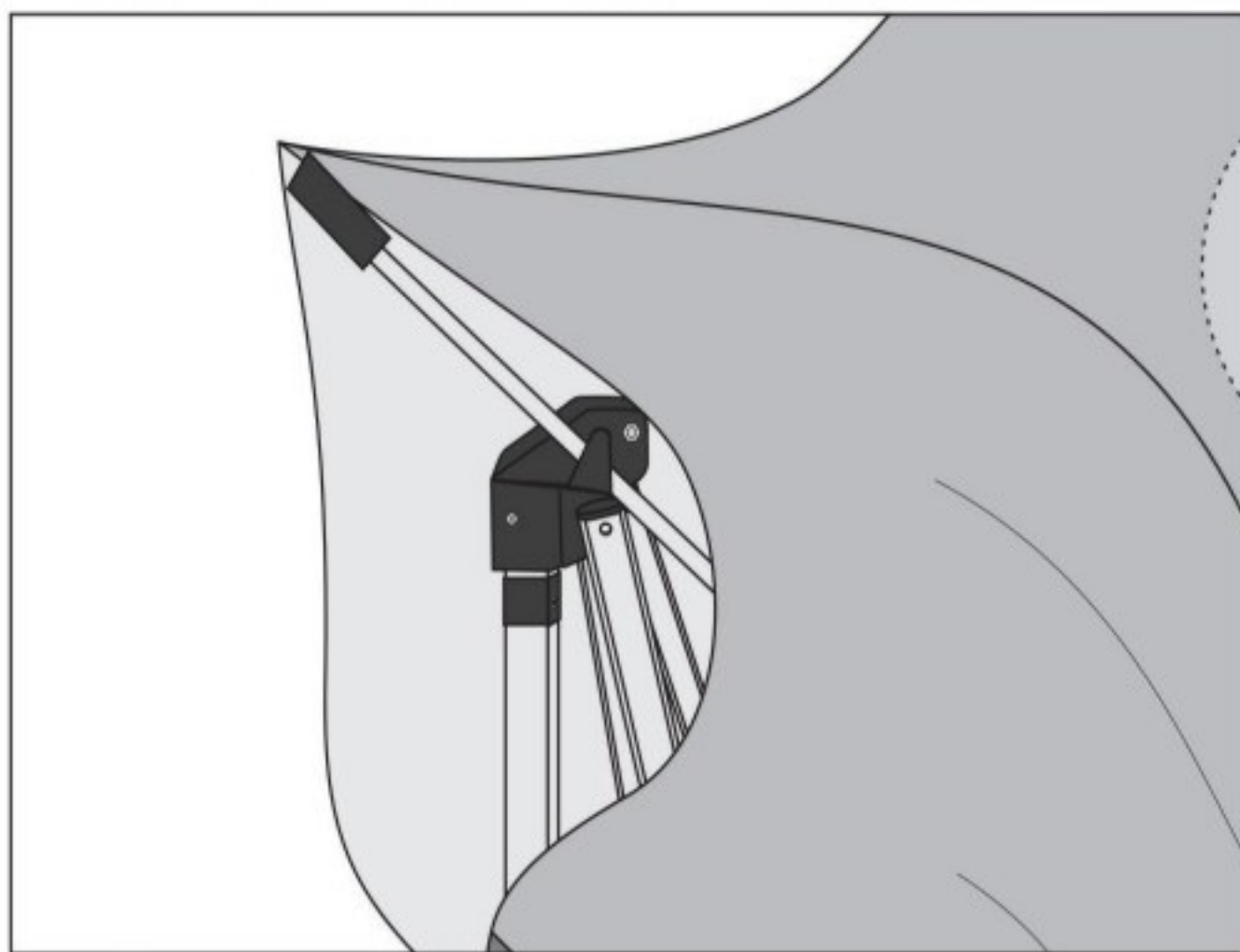


4 x Sand Bag

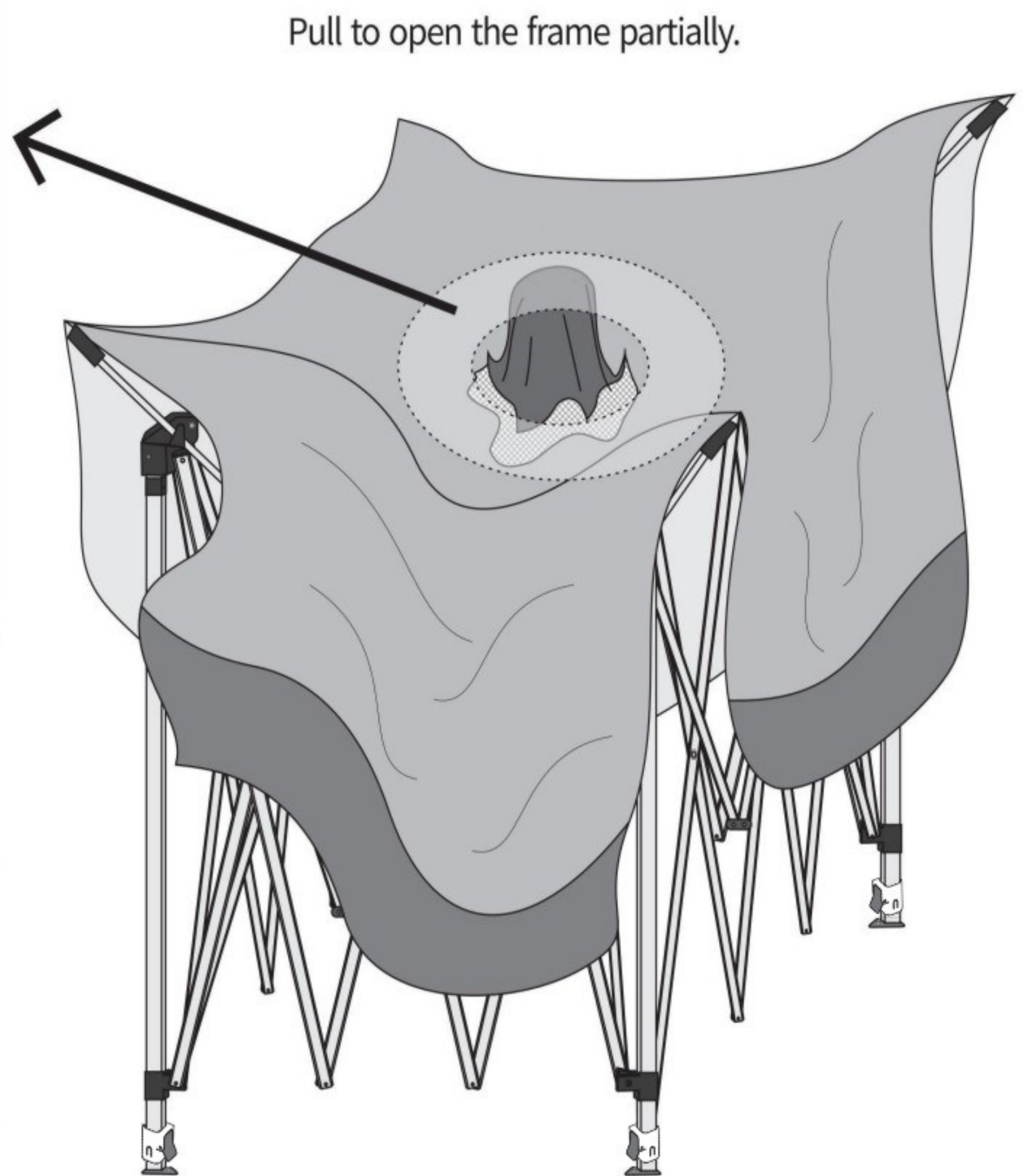
NOTICE: Before beginning assembly, ensure all listed parts are included.



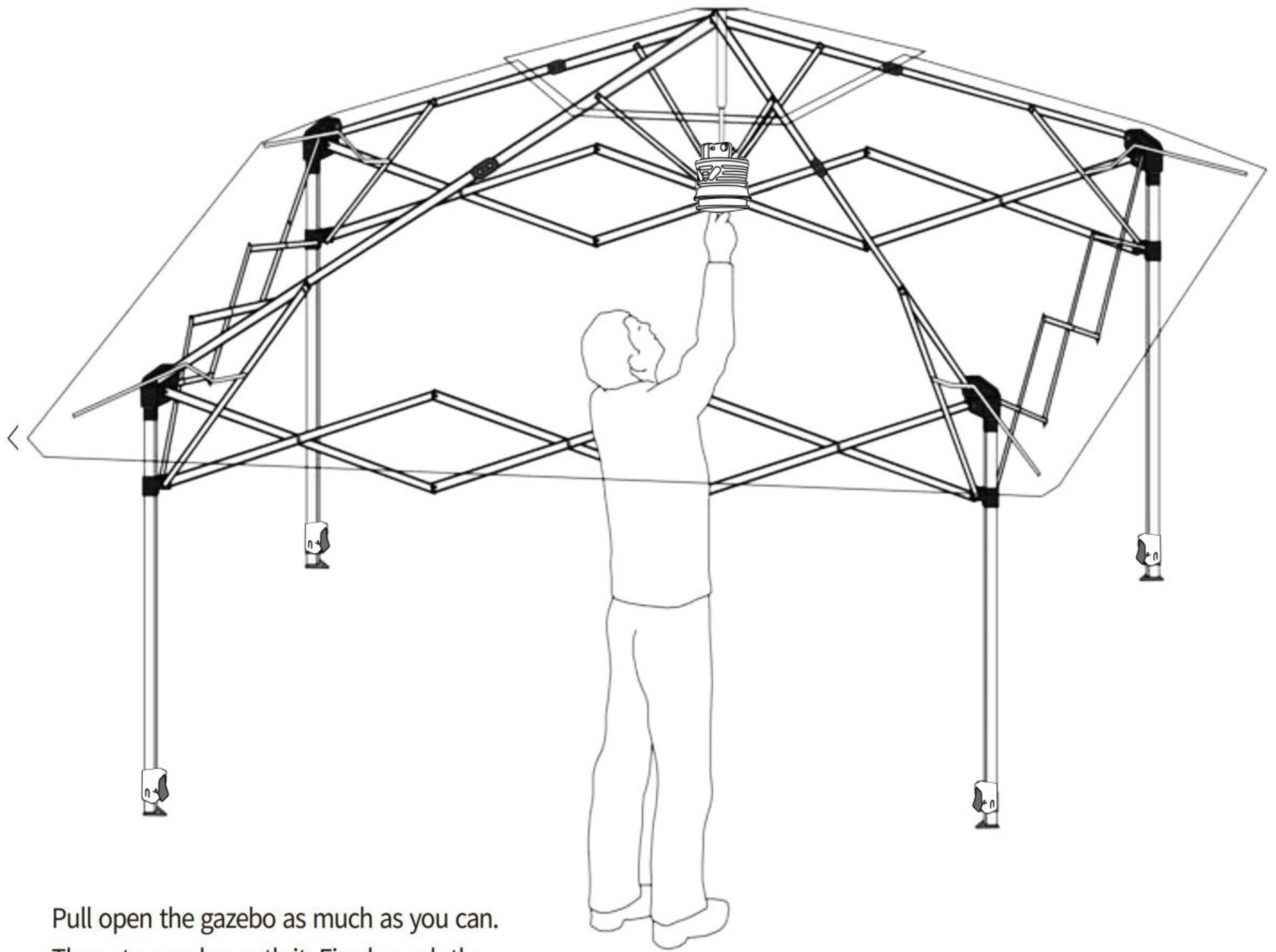
Attach the big top cover to the small top on the frame with velcro.



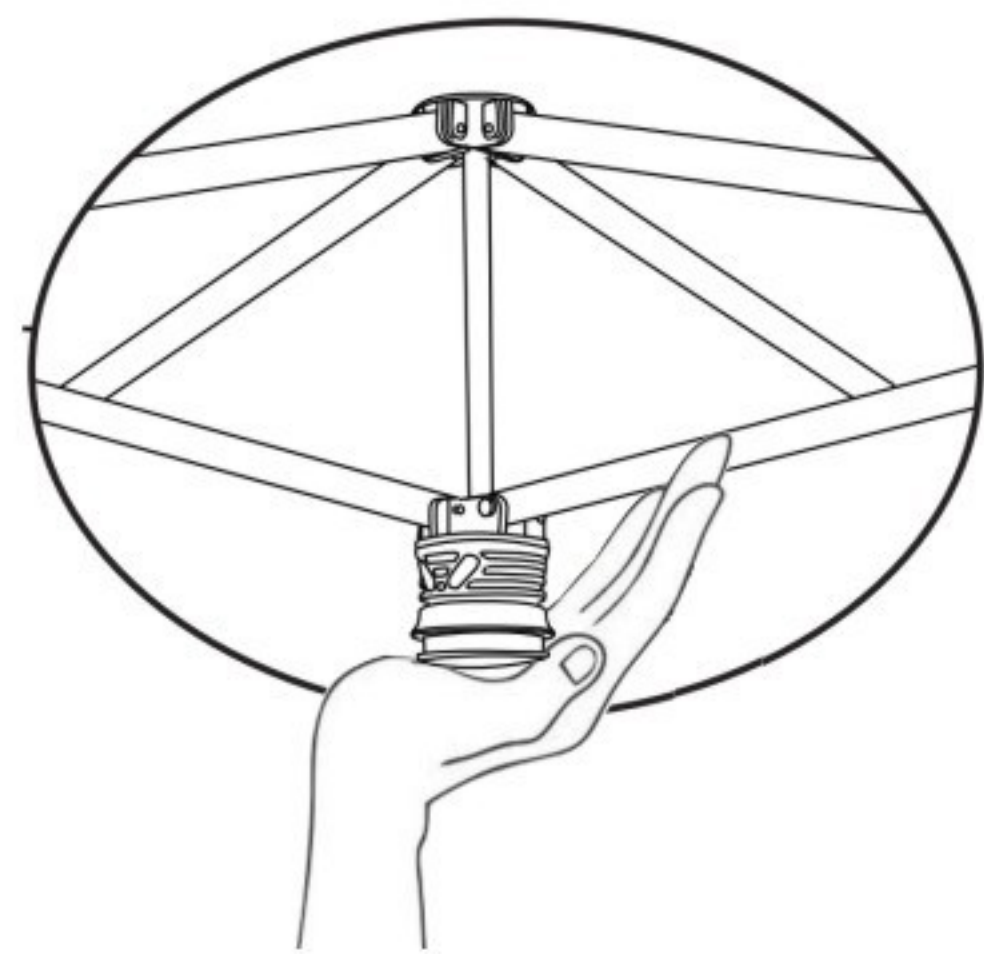
Position the 4 corners of the cover to the 4 eave poles and make sure the eave poles will go into the pouches on the top when you open it on next step.



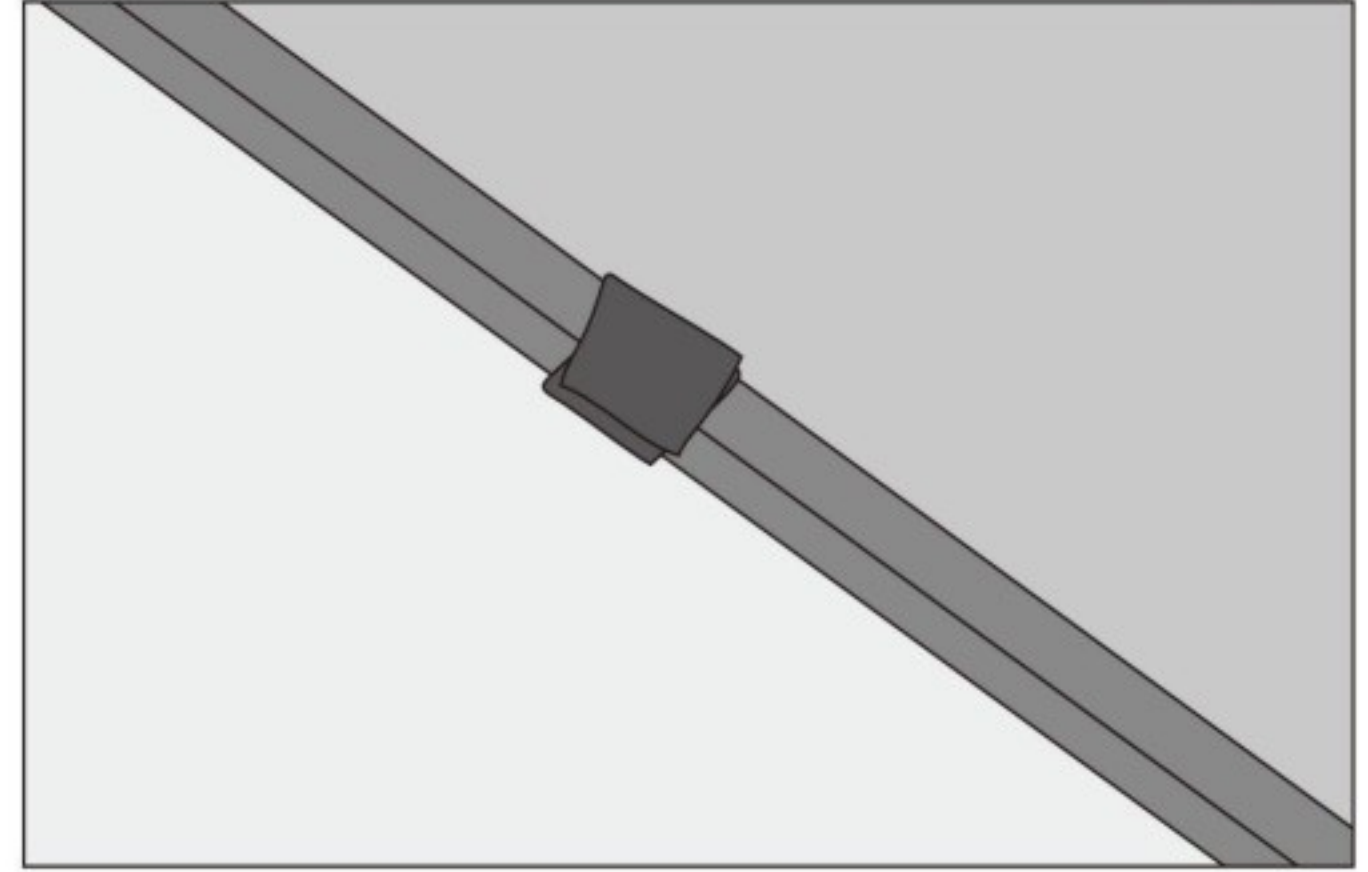
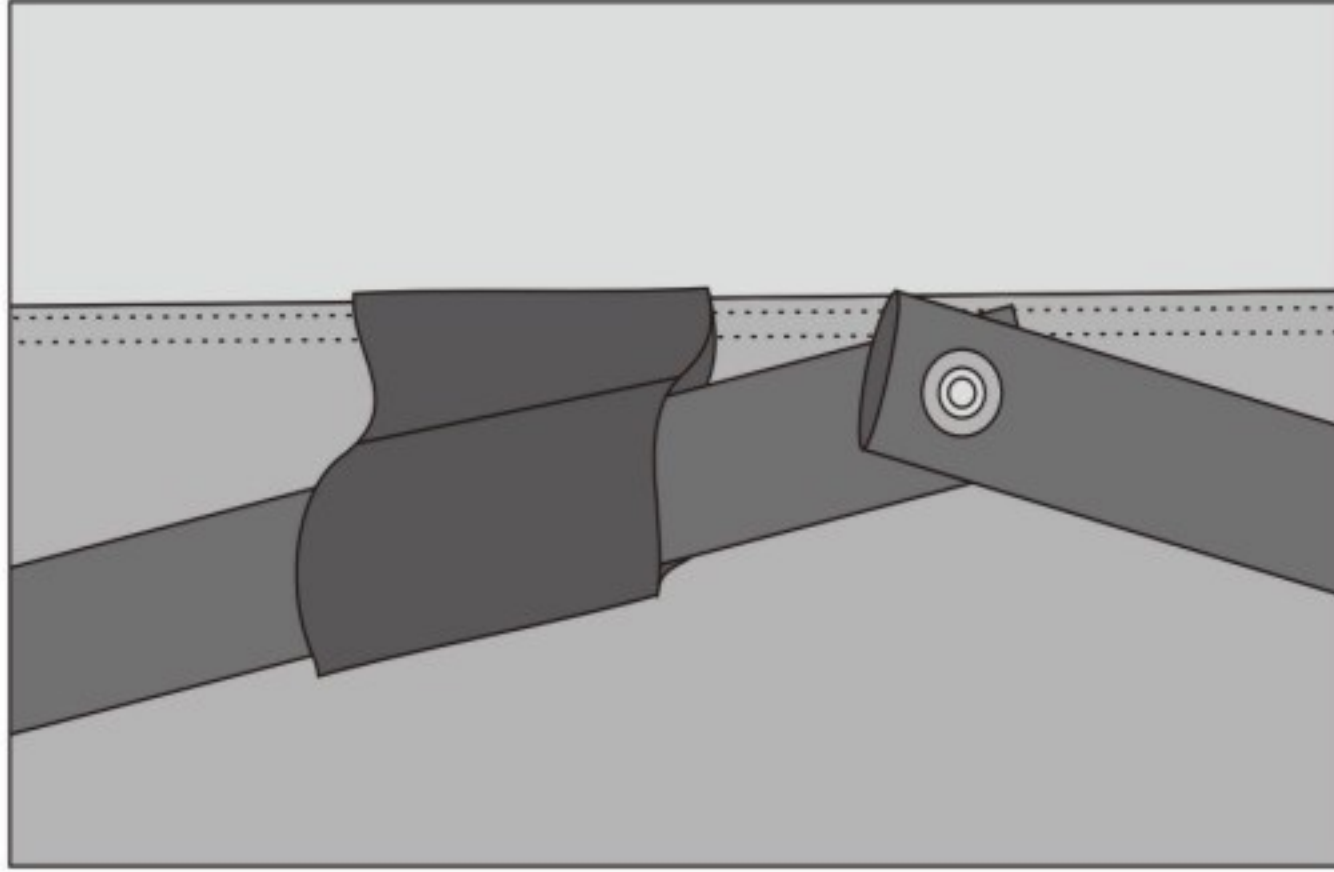
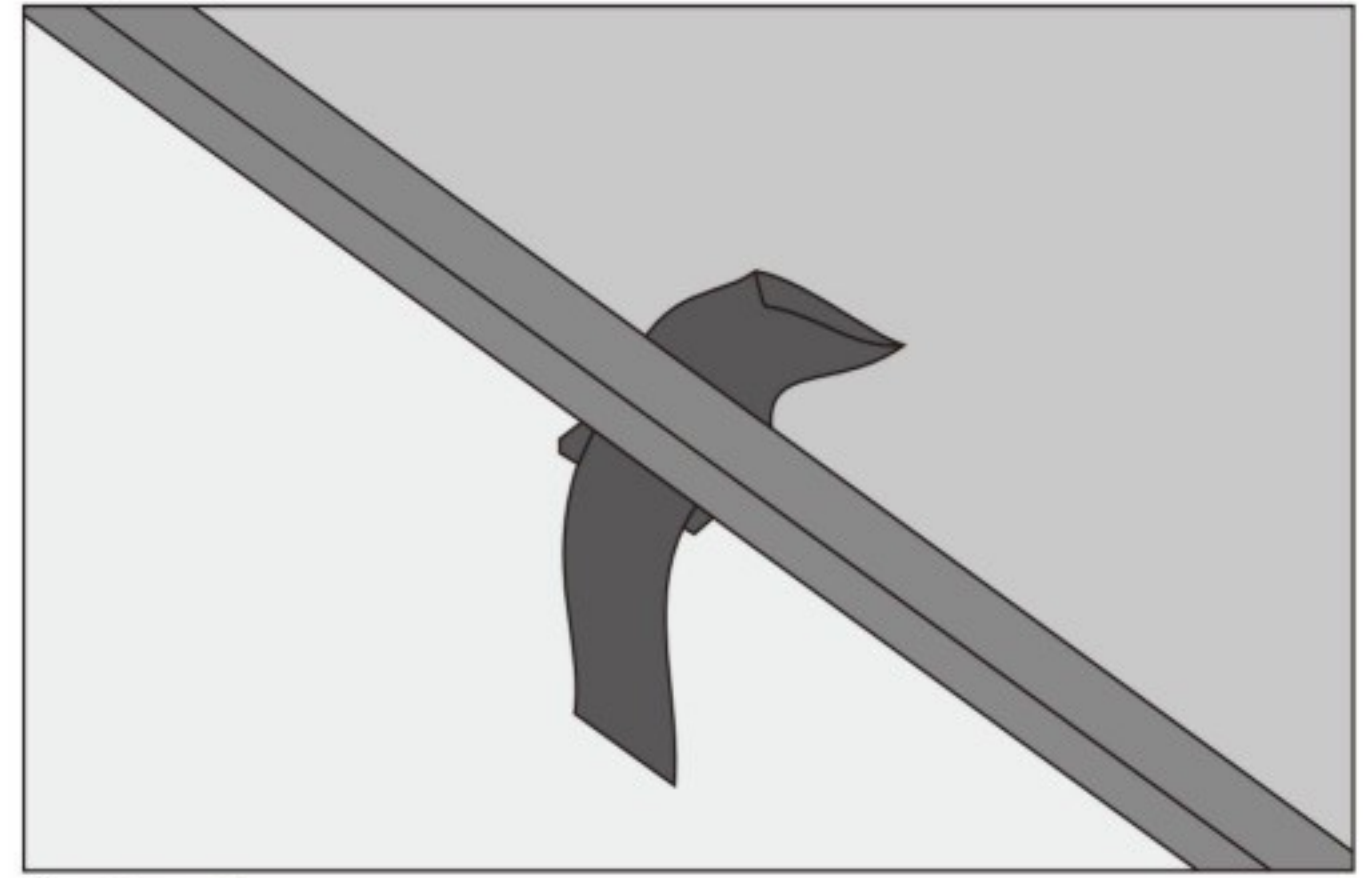
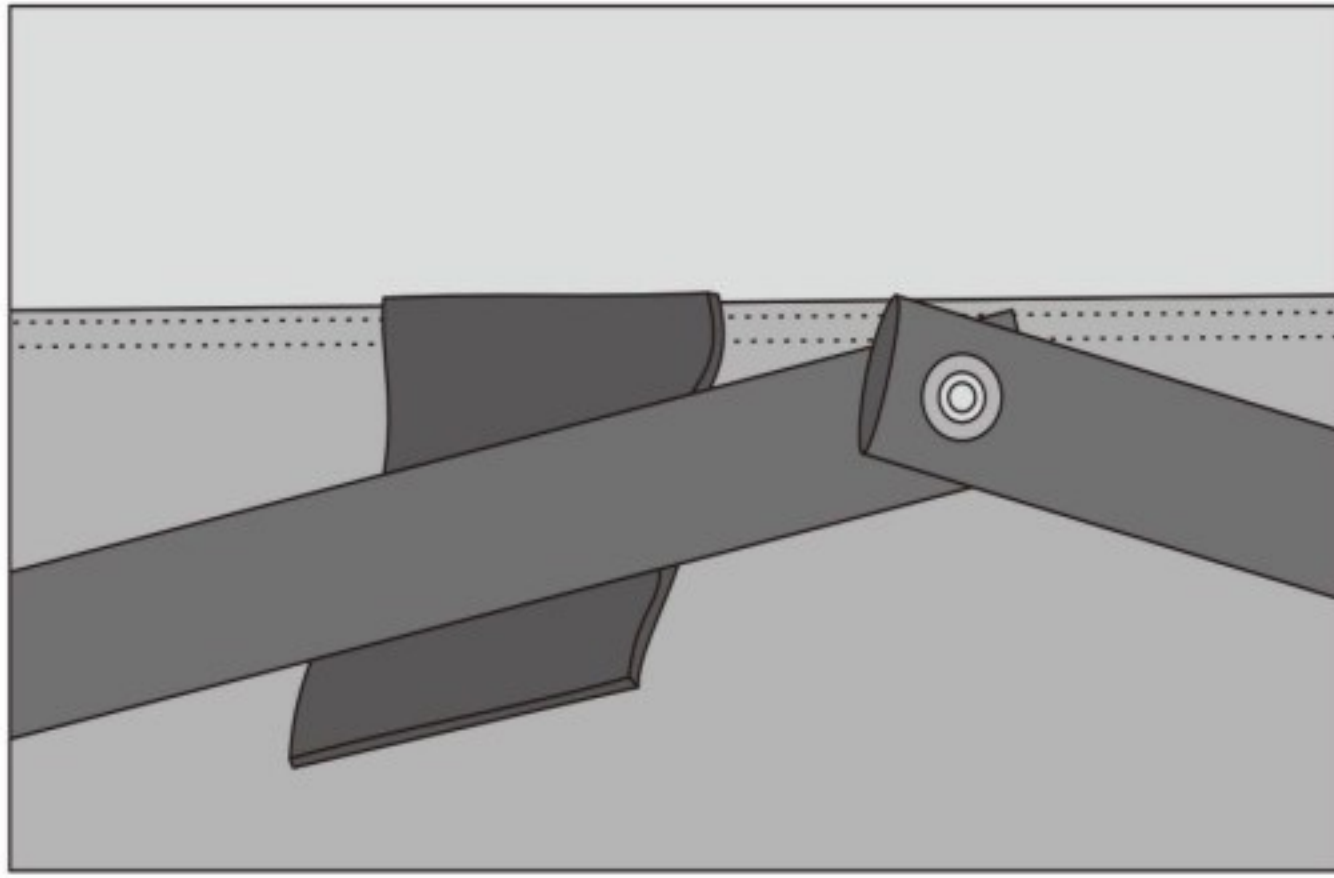
Place the gazebo fabric over the partially opened frame.



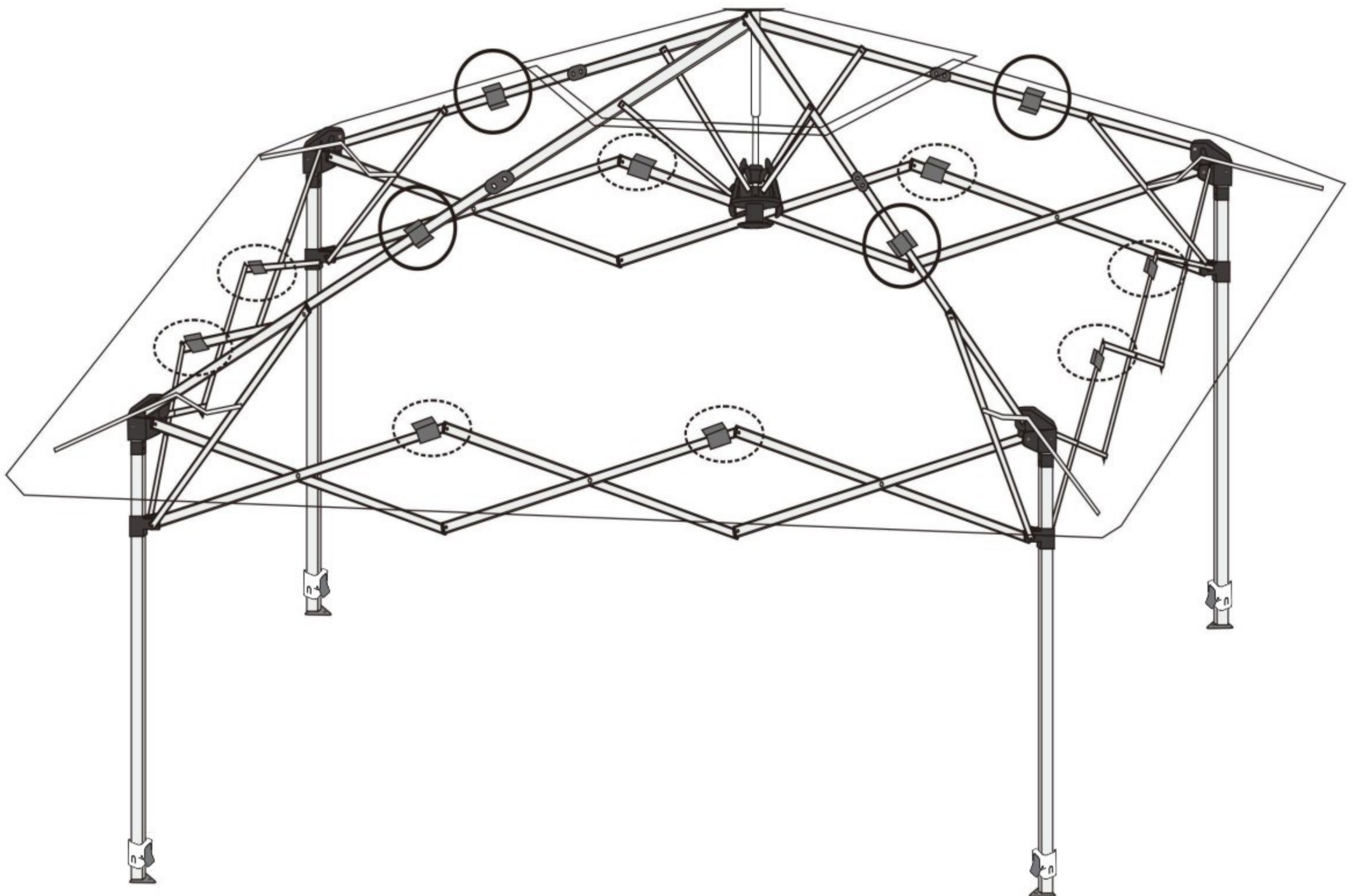
Pull open the gazebo as much as you can.
Then step underneath it. Firmly push the
center hub handle upward the clamps snap
into place.

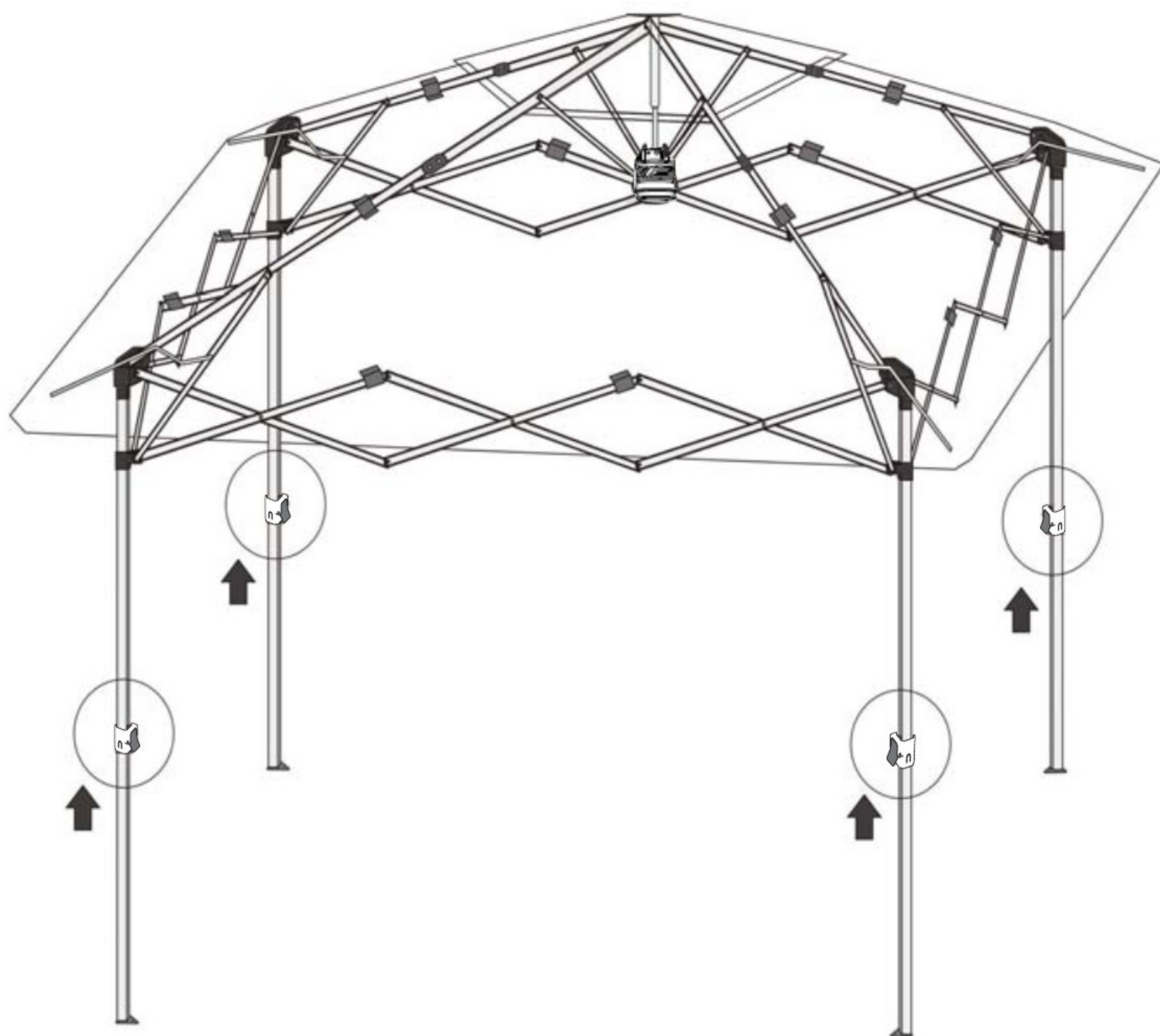
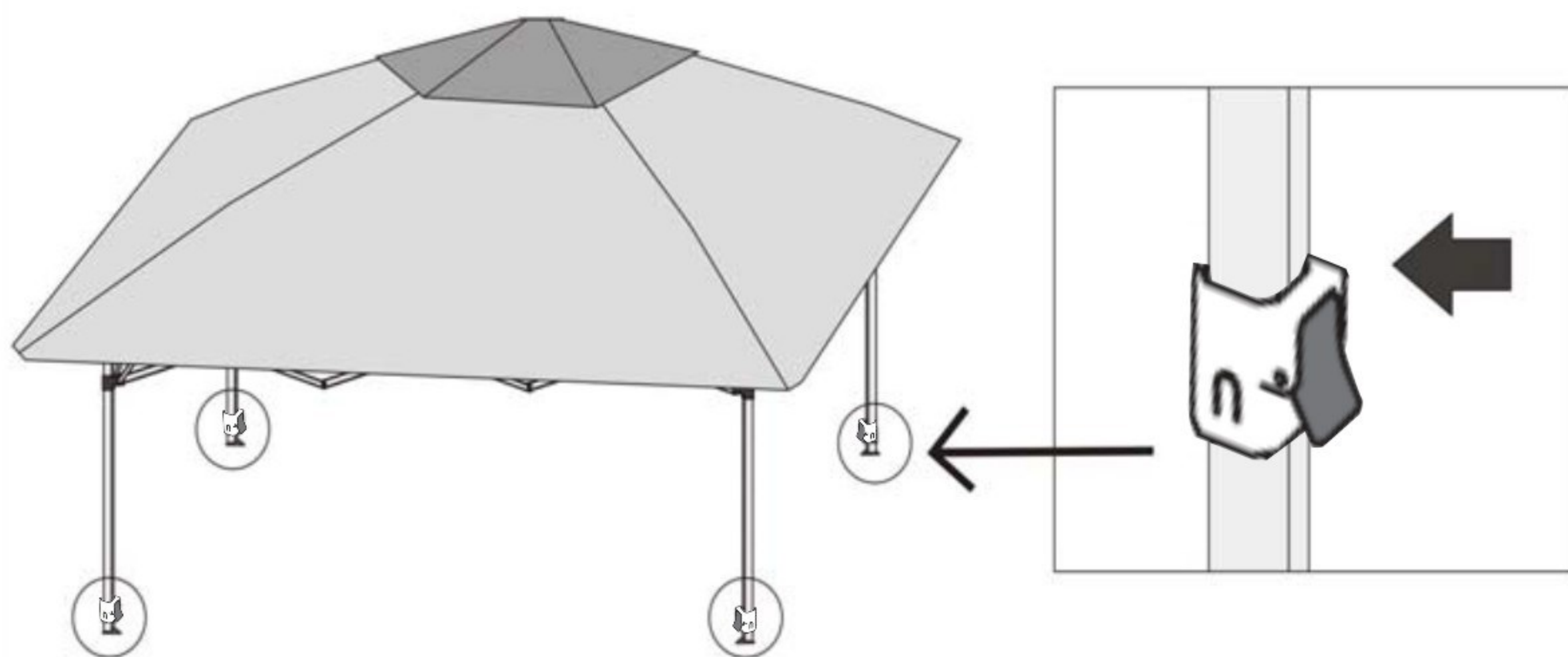


Push it upward, use finger grab rail and force
upwards until clicks.

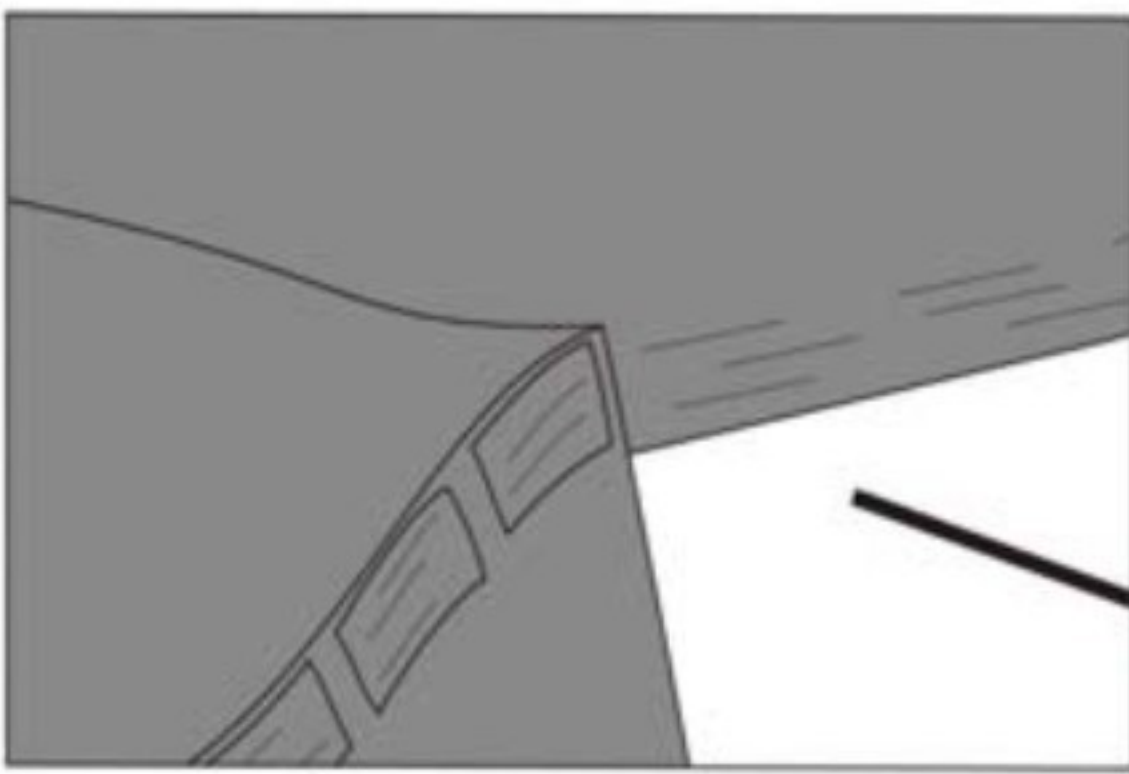
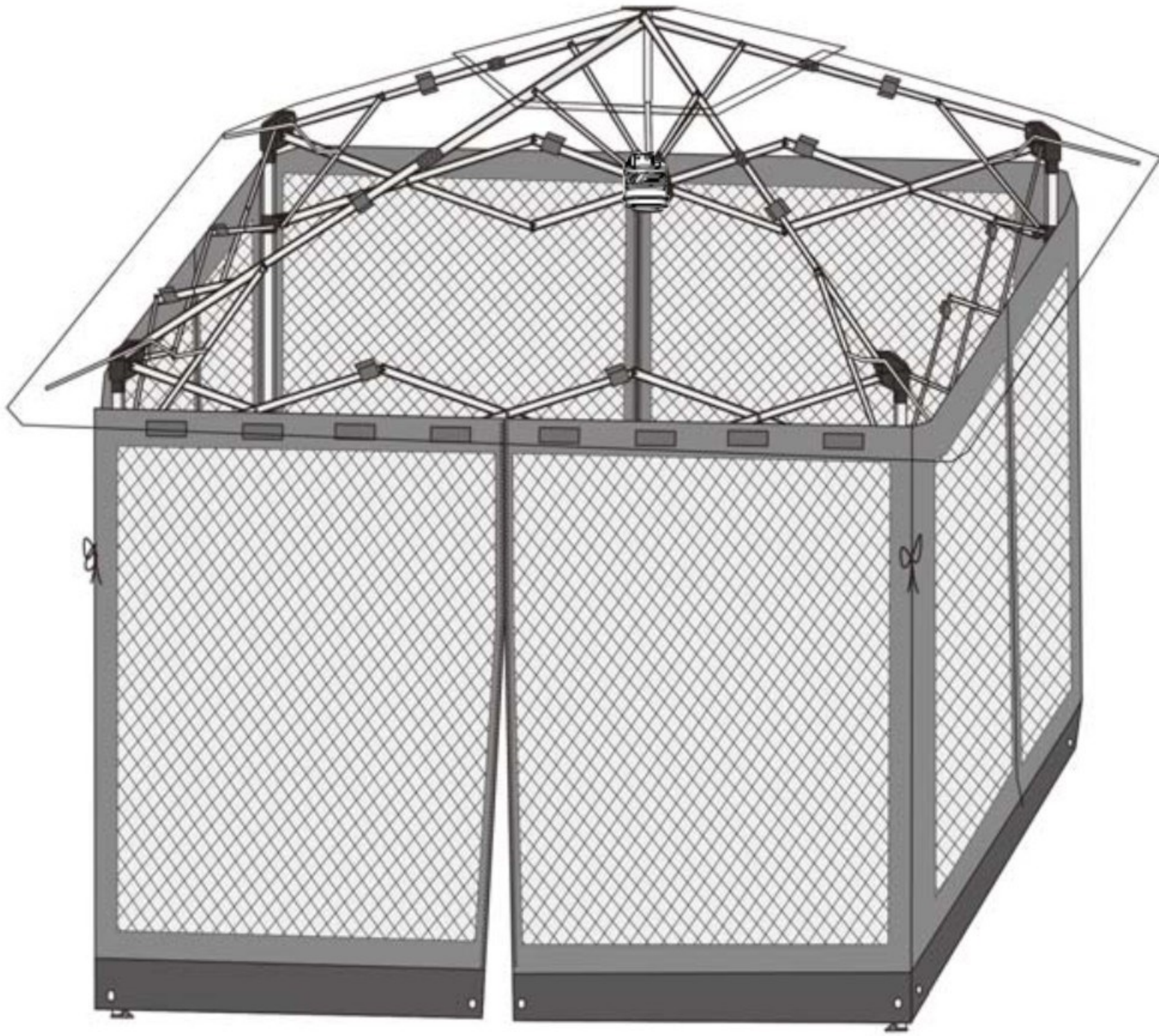


Fix the cover to the frame with velcro.





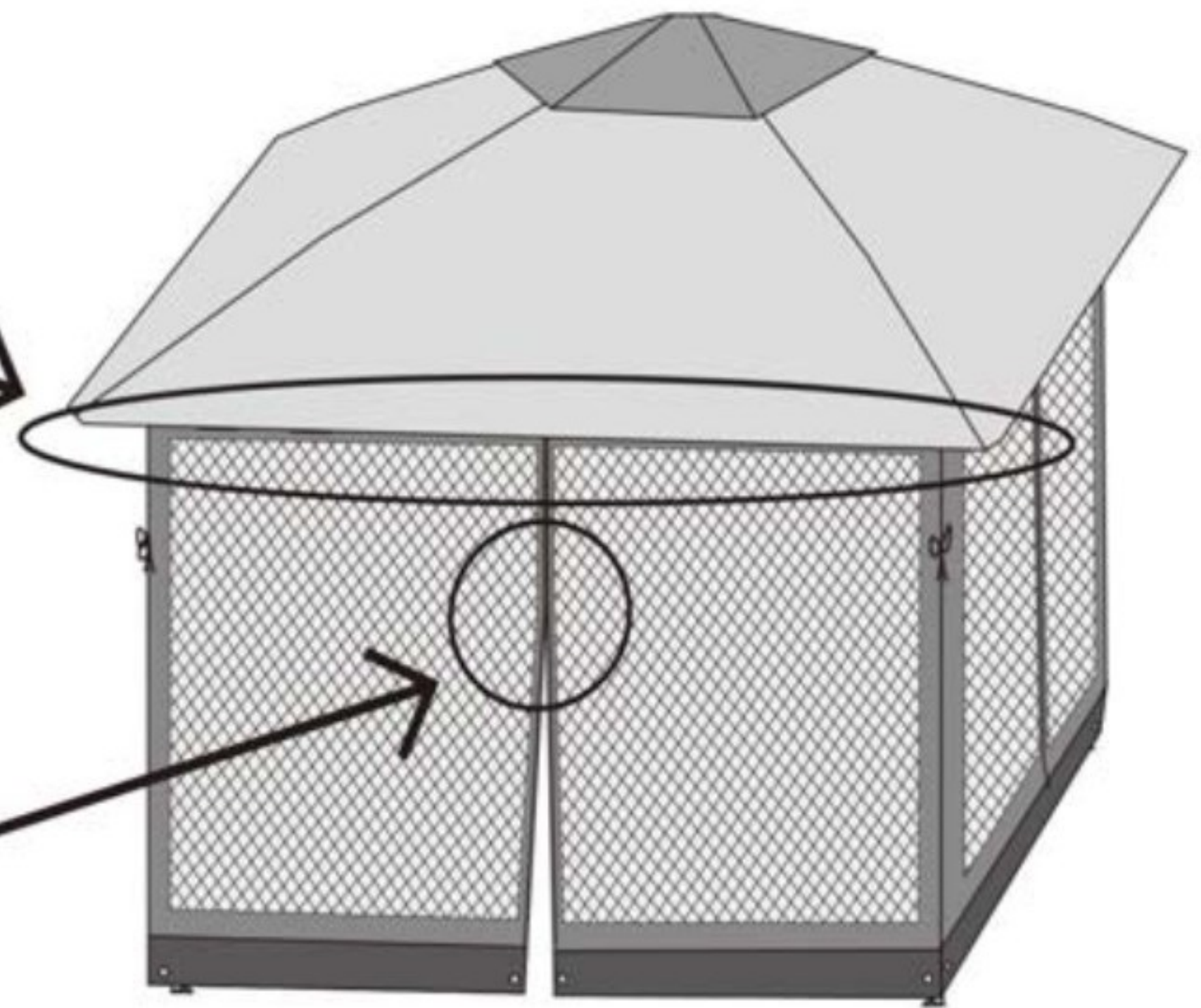
Adjust the legs to the height you want. Push inward on the lever located inside of each leg, slide the leg up or down, then release the lever to lock the safety pin into the selected hole.

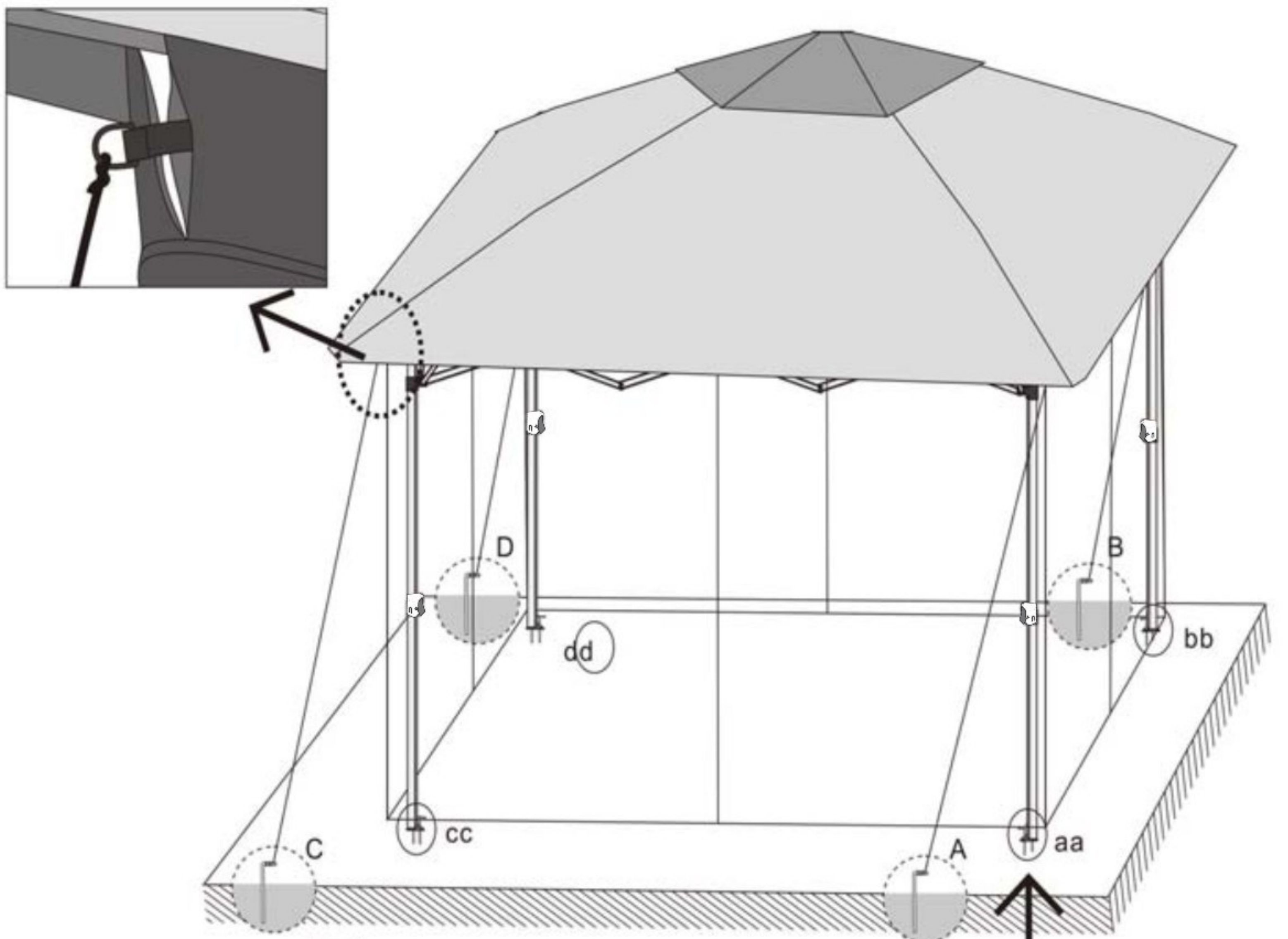


Attach the netting to the gazebo with velcro. Begin by attaching the center of the netting to the corner gazebo pole.

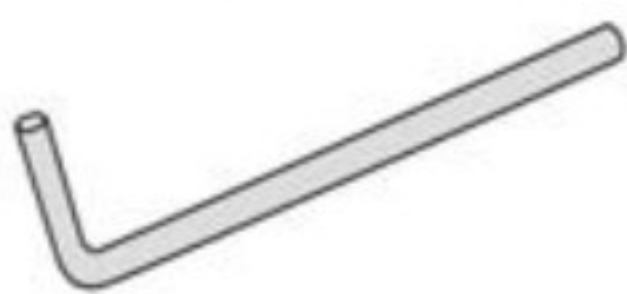


Zip the top of the two nettings together and assemble to the gazebo.

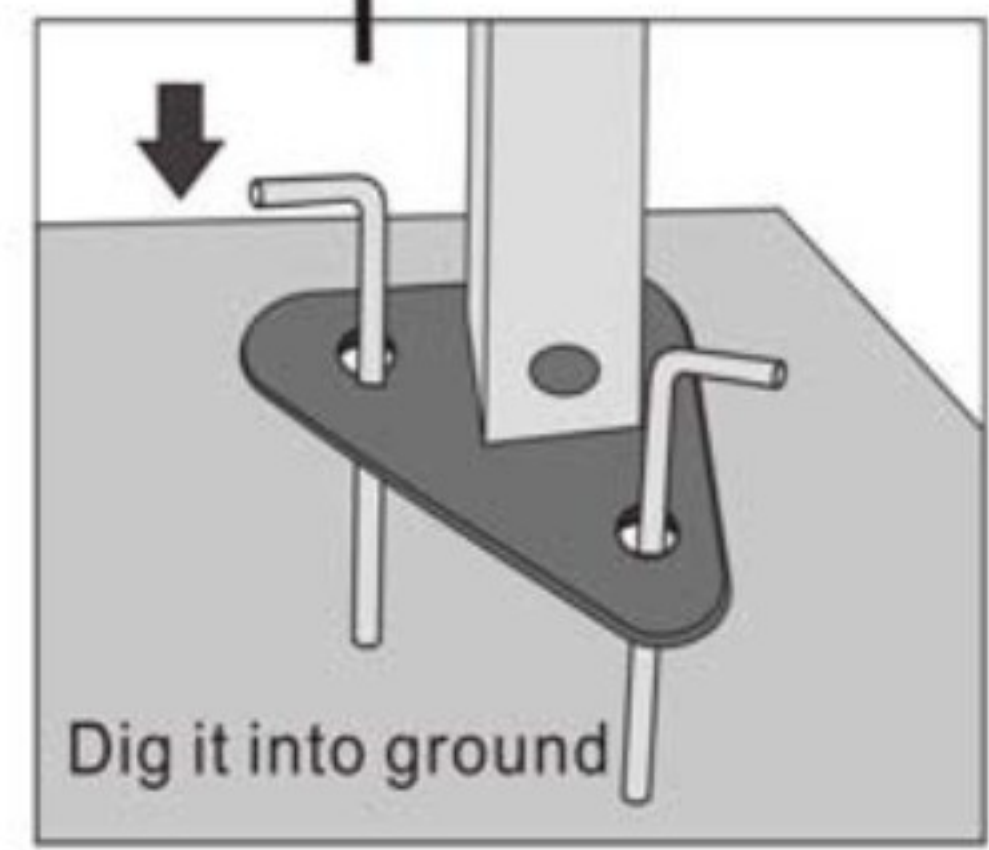
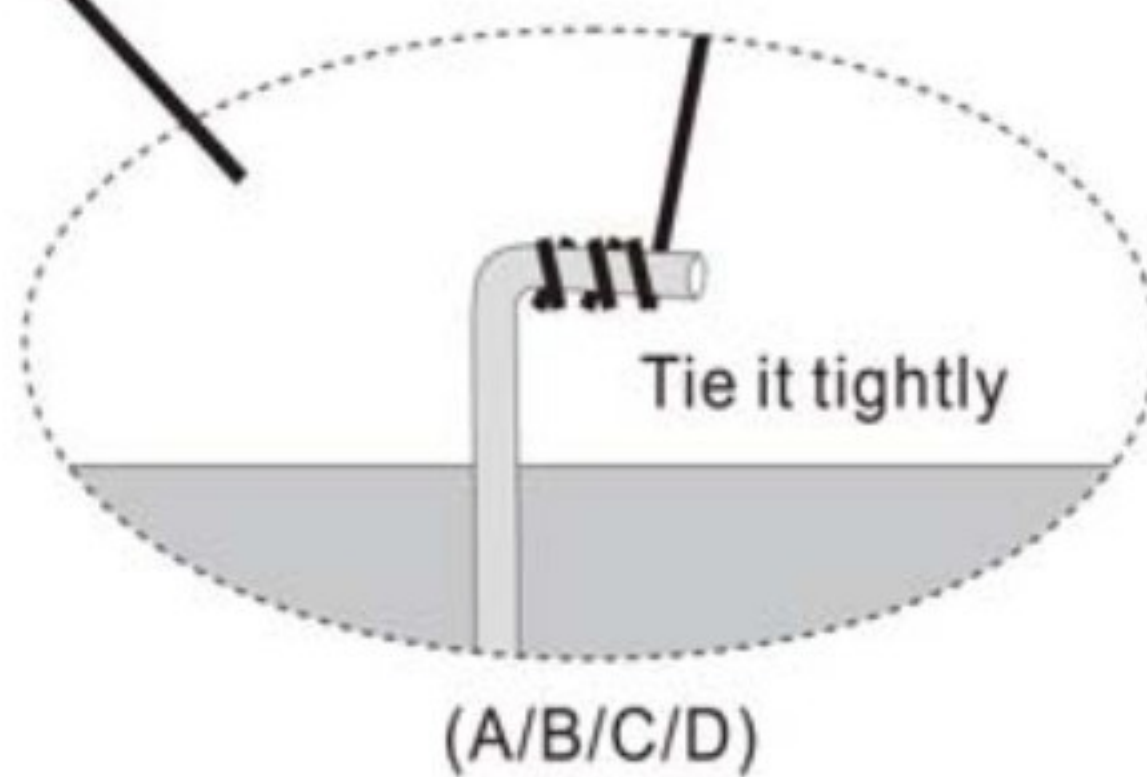




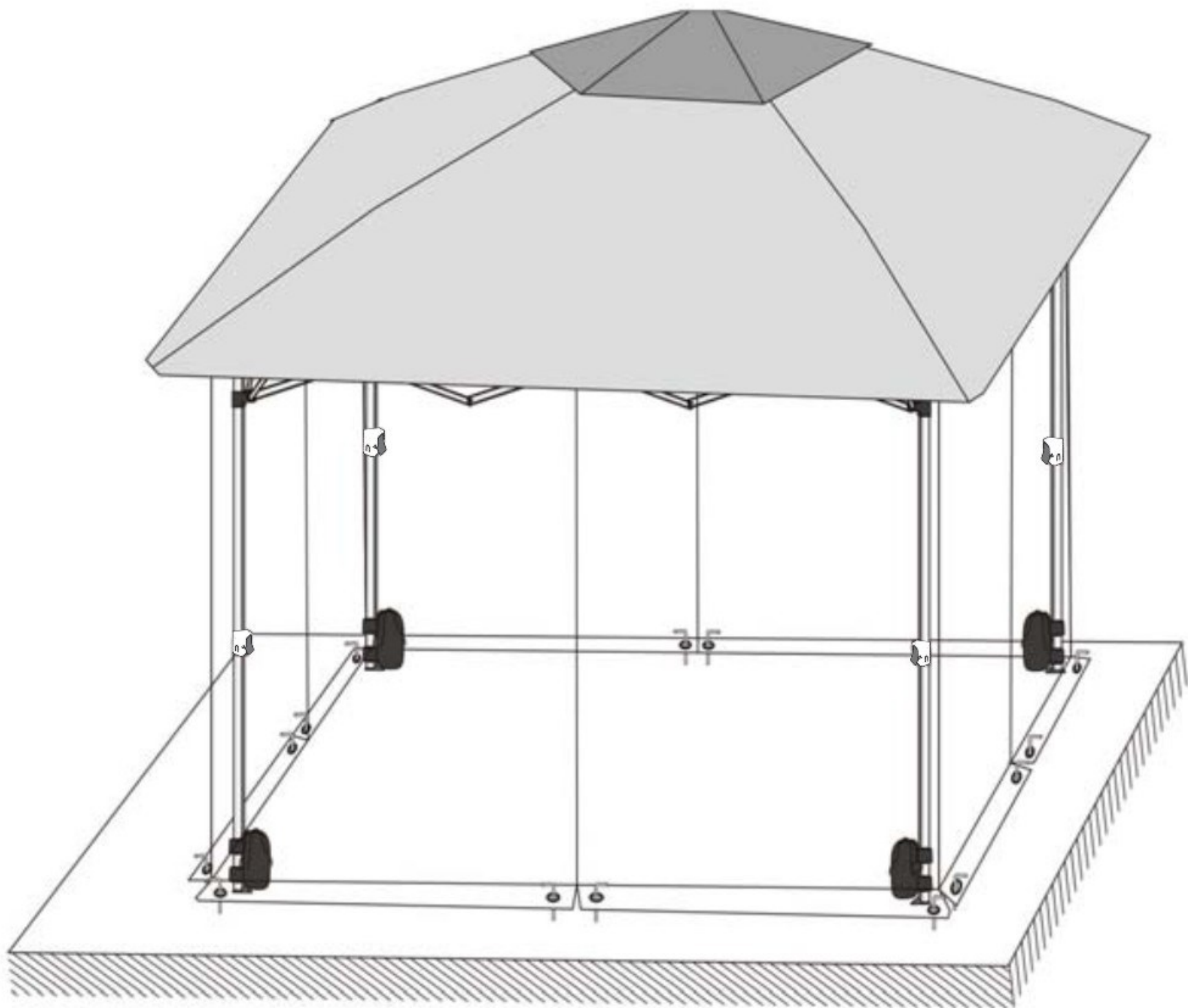
4 x Guy Cord



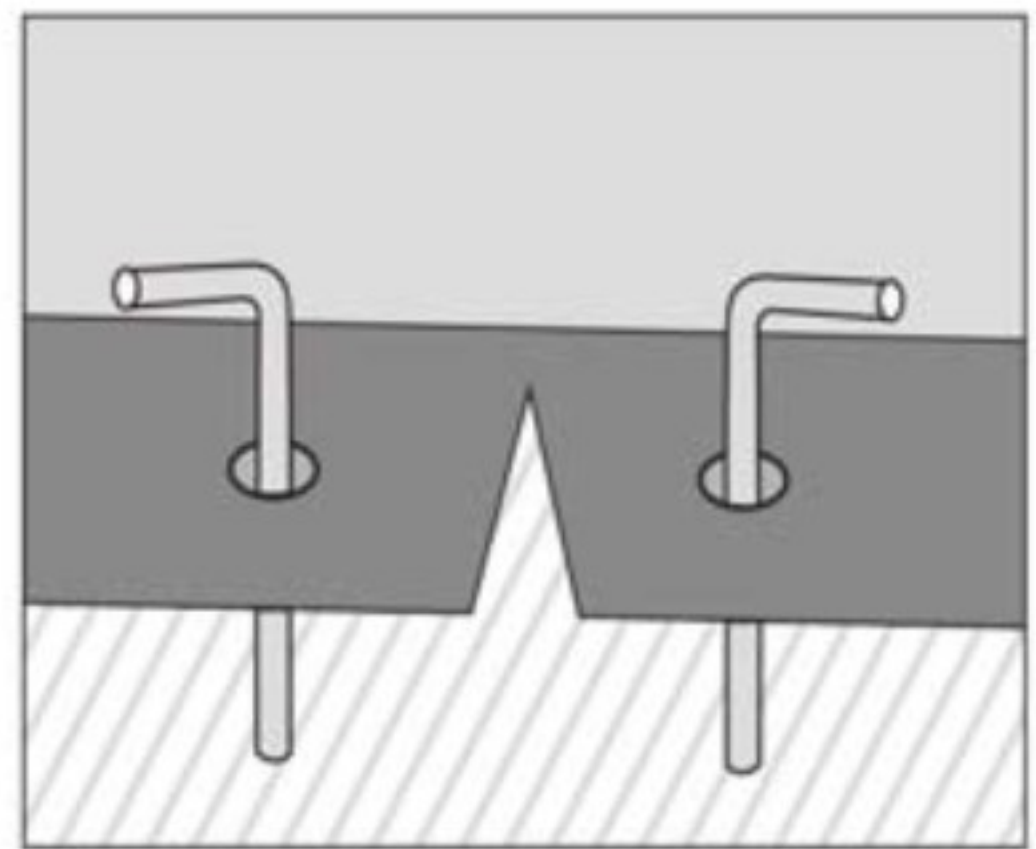
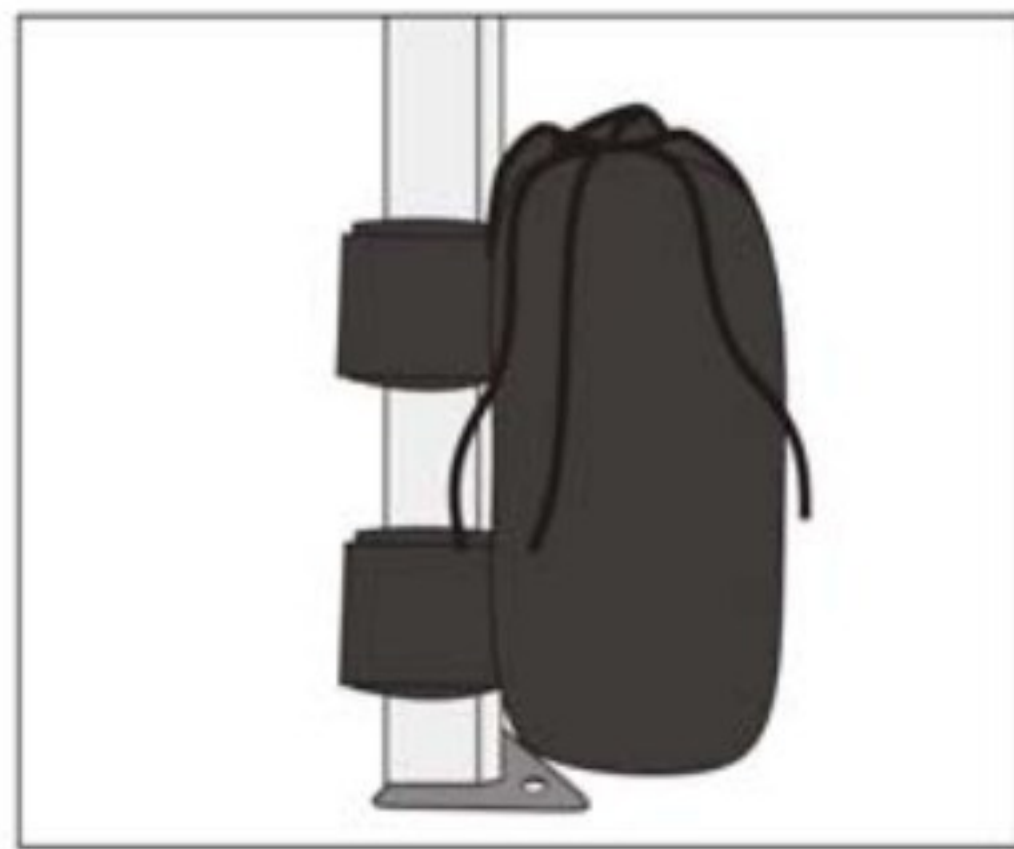
8 x Ground Stake Large



1. Unfold the four guy cords, located on the top corners of the poles. Extend the guy cords to ground level, securing the end of the guy cords to ground stakes.
 2. Insert the stakes through the hole at the end of each leg.
- Please follow above instructions to make your gazebo stable enough.



4 x Sand Bag



16 x Ground Stake Small

1. Weight down the gazebo by using the sand bag.
2. Insert the small ground stakes into the corners at the bottom of the screen when the need arises.

TAKE DOWN THE CANOPY

