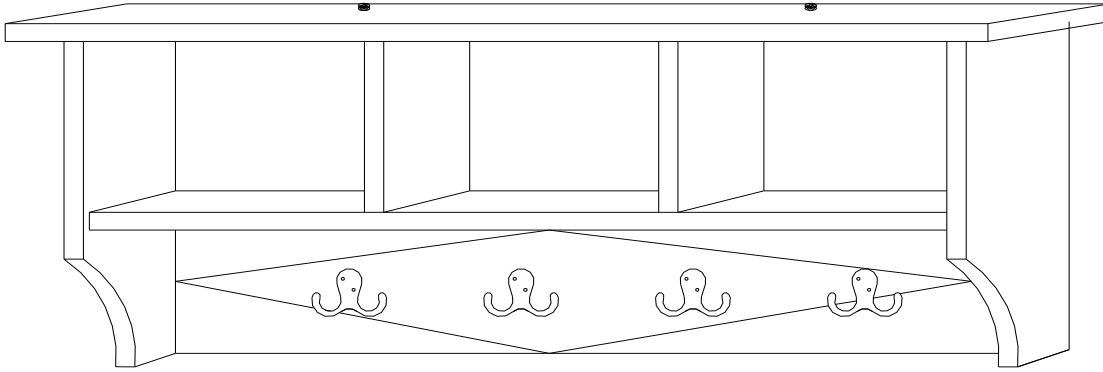


# Coat Hooks with Storage

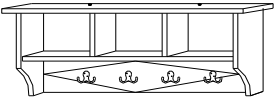
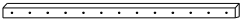
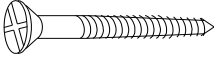


Thank you for purchasing our Coat Hooks with Storage. Assembly of this product requires a screwdriver. **We have found it helpful to have a second person present in at least one step of the assembly.**

---

## Coat Hooks with Storage Assembly Instructions

Lay out all parts on a "non-abrasive" surface to avoid scratching furniture.

NO.	DRAWING	DESCRIPTION	Q'TY
A		HUTCH SHELF	1
B		FRENCH CLEAT	1
C		WOOD SCREW 4*50	4

---

## PARTS

### Step 1

Read through these instructions thoroughly before beginning assembly. We have found this to be of great value when first assembling this product.

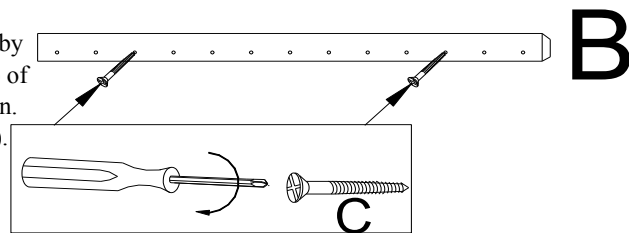
### Step 2

Remove all parts and hardware from packing material. Wooden pieces should be placed on a non abrasive surface (like the carton or carpet) to prevent damage to the finish. Note the French Cleat (B) is pre-installed on the back of the Hooks (A) with 2 of the Wood Screws (C).

---

### Step 3

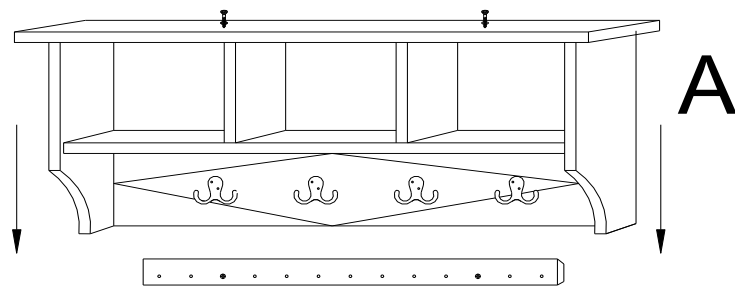
Remove the French Cleat (B) from the back of the Hooks (A) by unscrewing 2 of the pre-installed Wood Screws (C) on the top of the Hooks (A). Locate studs behind drywall in desired location. Attach French Cleat (B) to wall studs with 2 Wood Screws (C).



---

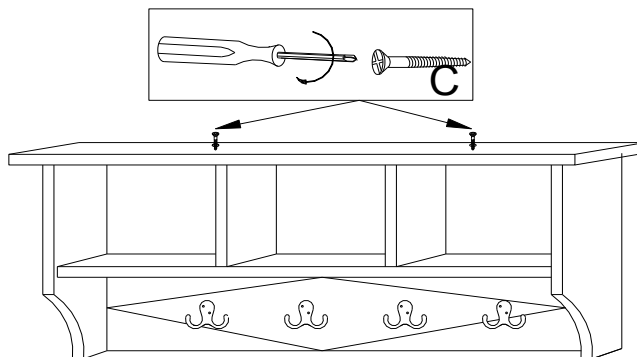
### Step 4

Set Hooks (A) on French Cleat (B) and attach with 2 Wood Screws (C).



### Step 5

It is recommended that the shelf be stud mounted for stability.



---

## CARE

Clean with mild soap and wipe dry.