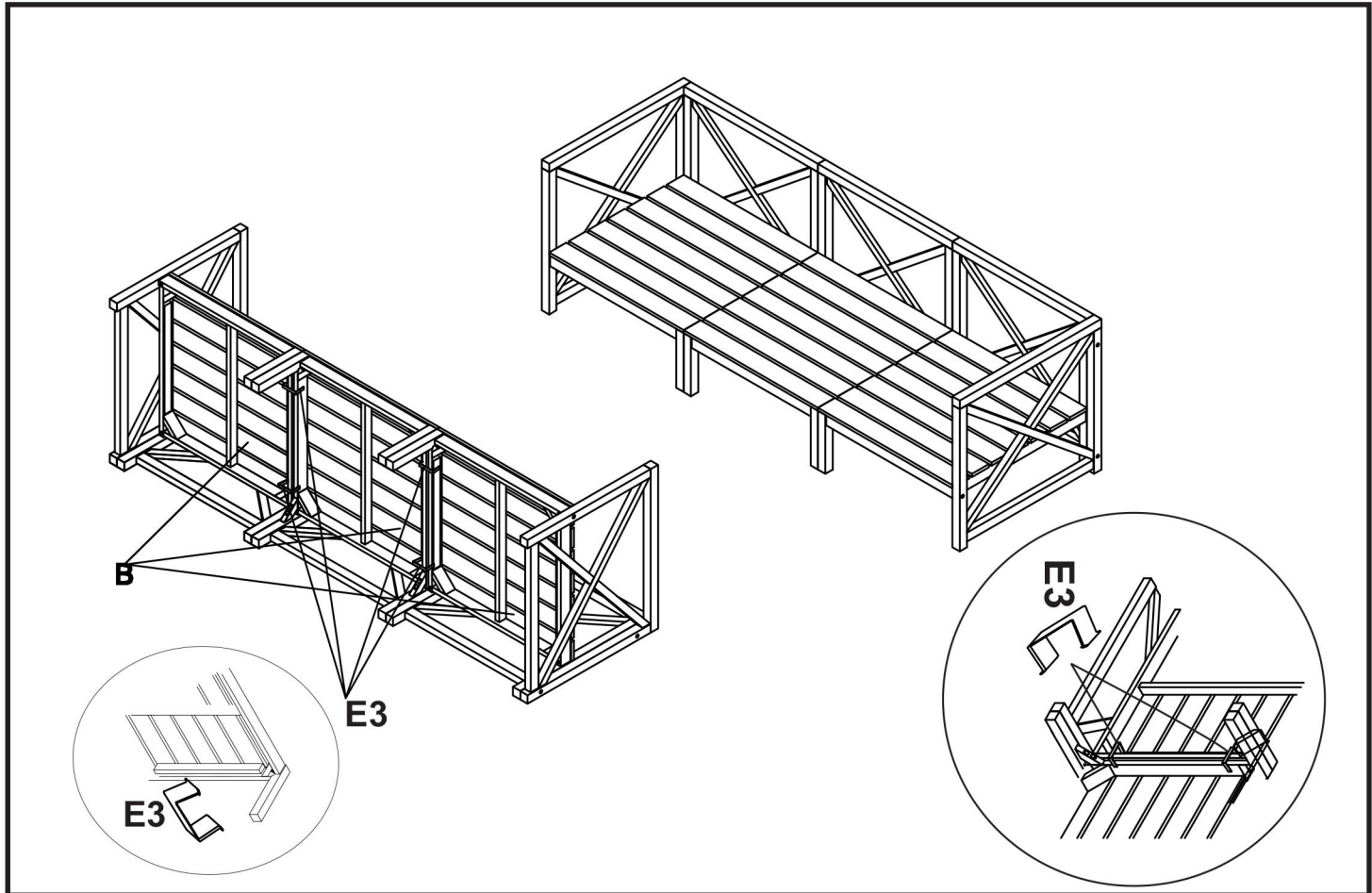


CARE AND MAINTENANCE

Store outdoor furniture indoors or cover well when it is not in use. Dust regularly with small brush or vacuum. Spills should be taken care of immediately before they harden or stain with a slightly dampened sponge.

NOTICE

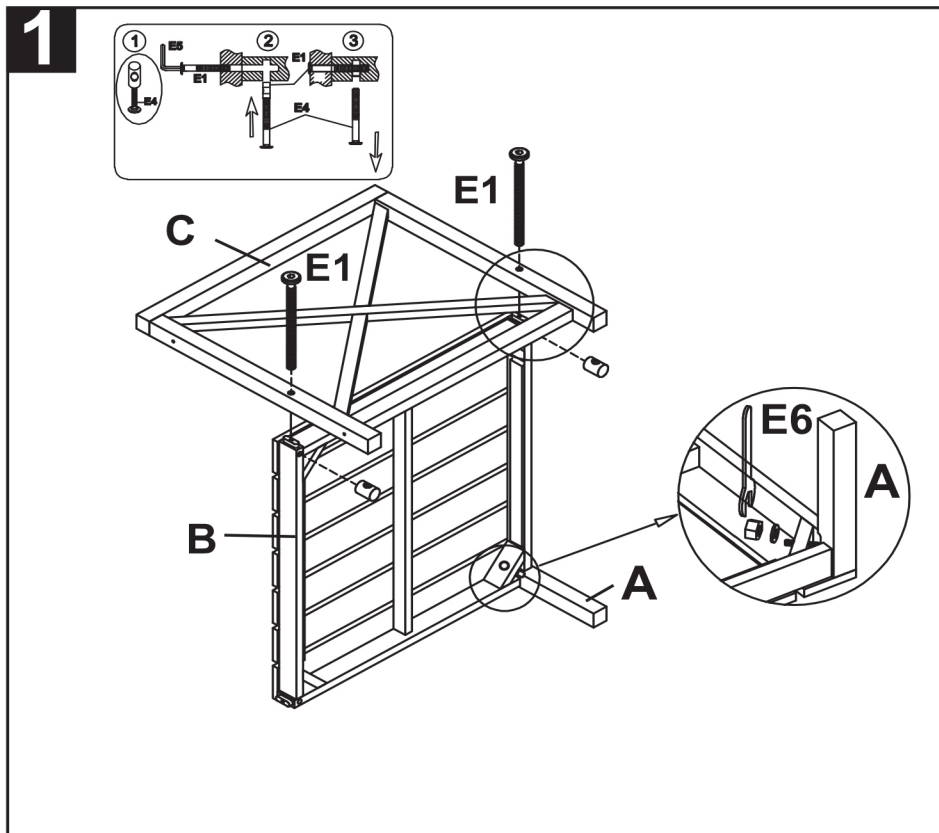
Please make sure that you have all parts indicated before you begin assembly of this item.



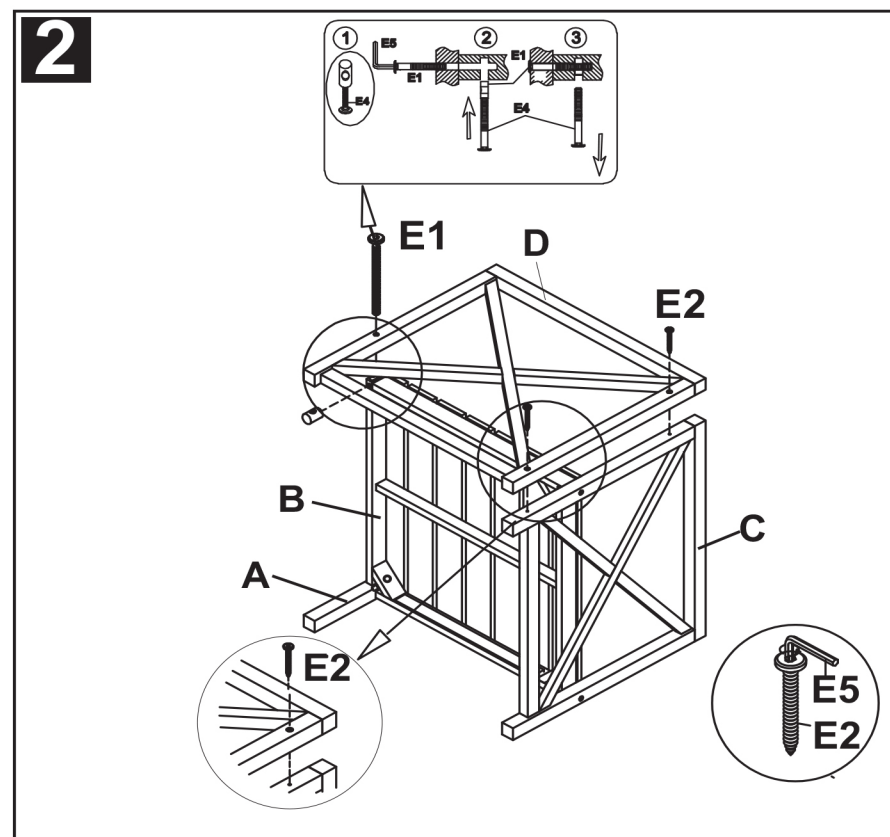
Step 1: lock these chairs together as shown on the picture.

PREPARATION

Before beginning the assembly of the product, make sure all parts are present. Compare the parts with the package contents list and hardware contents list. If any parts are missing or damaged, do not attempt to assemble the product. Tool required for assembly (included): Allen Key and Wrench.



Step 1: attach the leg (A) and the back (C) to the seat (B) as shown on the picture. Then use the Allen Bolt (E1) and tighten it with the Allen Key (E5). Then tighten the leg (A) with the wrench (E6) as shown on the picture.



Step 2: attach the corner (D) to the chair by using the the Allen screw (E2) and the Allen Bolt (E1) and tighten both sides with the Allen Key (E5) as shown on the pictures.




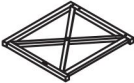




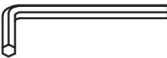

CARE AND MAINTENANCE

Store outdoor furniture indoors or cover well when it is not in use. Dust regularly with small brush or vacuum. Spills should be taken care of immediately before they harden or stain with a slightly dampened sponge.

NOTICE

Please make sure that you have all parts indicated before you begin assembly of this item.

Part List and Hardware List

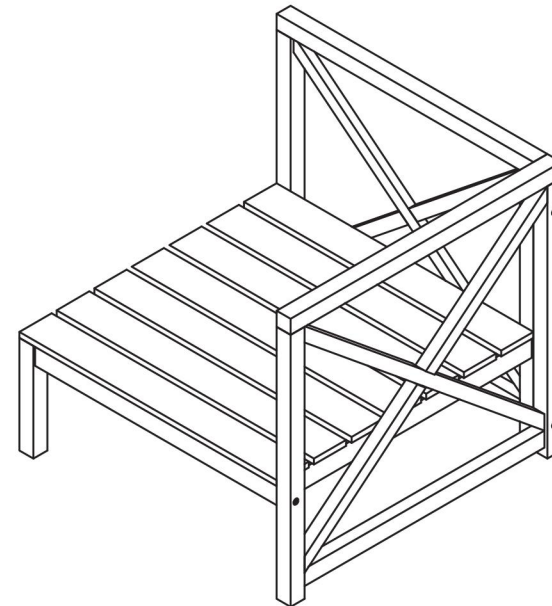
PIECE	DESCRIPTION	PICTURE	QUANTITY
A	Leg		1 X
B	Seat		1 X
C	Back		1 X
D	Side		1 X
E1	Allen Bolt	 M6x70	3 X
E2	Allen screw	 M6x45	2 X
E3	Lock		2 X
E4	Extra bolt	 M6x50	1 X
E5	Allen Key		1 X
E6	Wrench		1 X

Product Dimension: 27.09"W x 27.09"D x 26.77"H

Weight capacity : 300 lbs

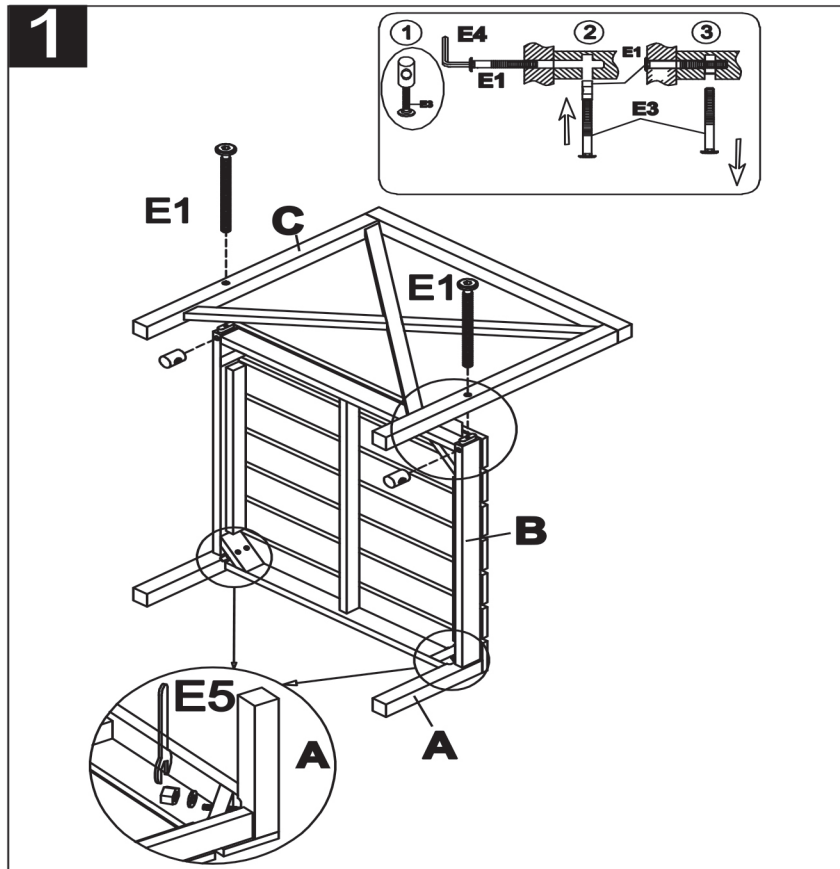
Warning : Do not stand on the chair

Warning : Do not torque bolts / screws

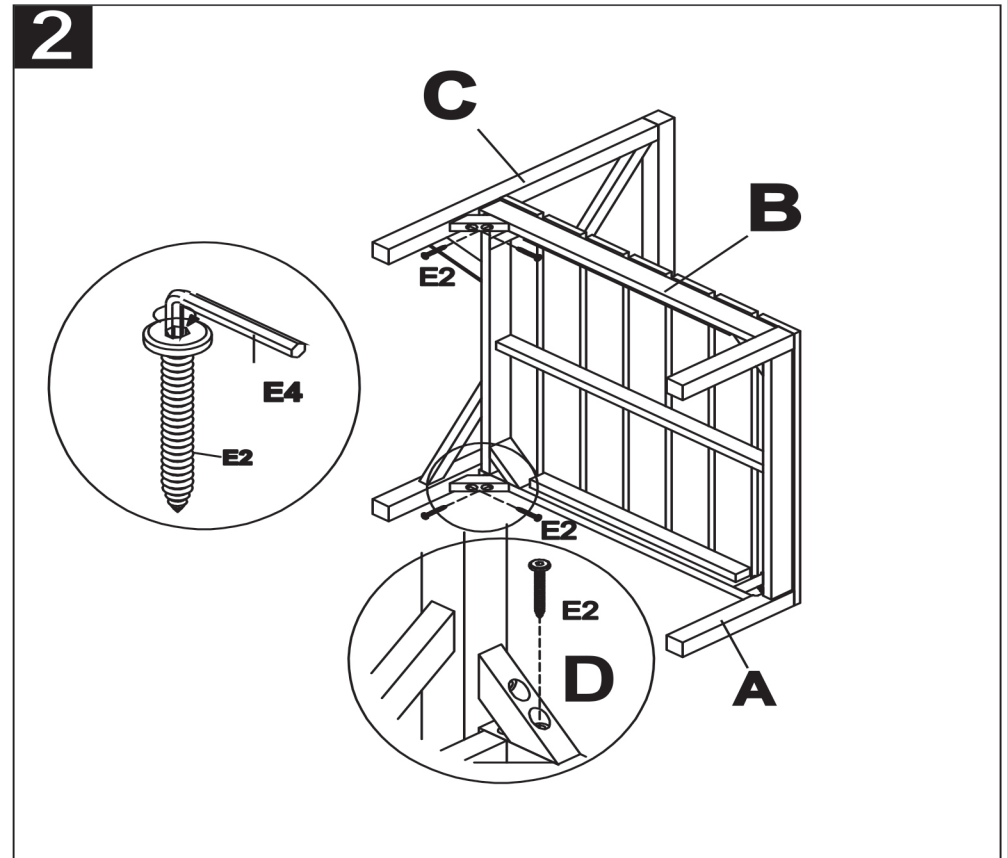


PREPARATION

Before beginning the assembly of the product, make sure all parts are present. Compare the parts with the package contents list and hardware contents list. If any parts are missing or damaged, do not attempt to assemble the product. Tool required for assembly (included): Allen Key and Wrench.



Step 1: attach the leg (A) and the back (C) to the seat (B) as shown on the picture. Then use the Allen Bolt (E1) and tighten it with the Allen Key (E4). Tighten the 2 legs (A) with the wrench (E5) as shown on the picture.



Step 2: attach the corner (D) to the chair by using the Allen screw (E2) and tighten on both sides with the Allen Key (E4) as shown on the picture.










CARE AND MAINTENANCE

Store outdoor furniture indoors or cover well when it is not in use. Dust regularly with small brush or vacuum. Spills should be taken care of immediately before they harden or stain with a slightly dampened sponge.

NOTICE

Please make sure that you have all parts indicated before you begin assembly of this item.

Part List and Hardware List

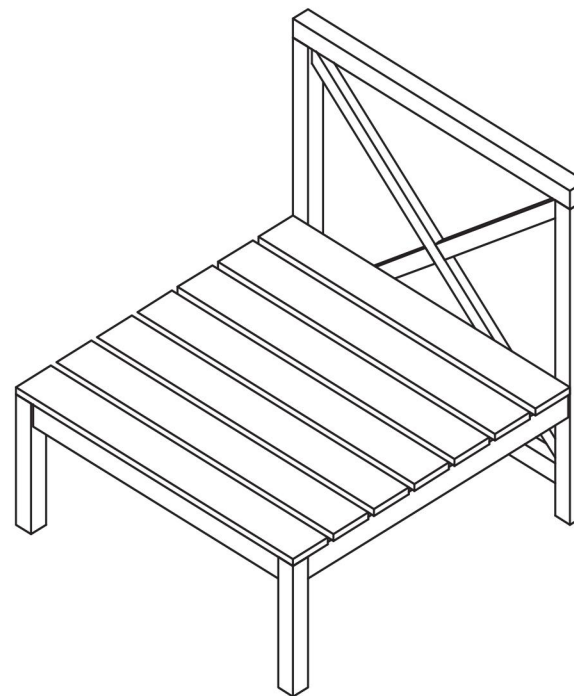
PIECE	DESCRIPTION	PICTURE	QUANTITY
A	Leg		2 X
B	Seat		1 X
C	Back		1 X
D	Corner		2 X
E1	Allen Bolt	 M6x70	2 X
E2	Allen Screw	 M6x45	4 X
E3	Extra Bolt	 M6x50	1 X
E4	Allen Key		1 X
E5	Wrench		1 X

Product Dimension: 25.59"W x 27.09"D x 26.77"H

Weight capacity : 300 lbs

Warning : Do not stand on the chair

Warning : Do not torque bolts / screws











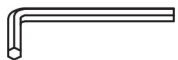

CARE AND MAINTENANCE

Store outdoor furniture indoors or cover well when it is not in use. Dust regularly with small brush or vacuum. Spills should be taken care of immediately before they harden or stain with a slightly dampened sponge.

NOTICE

Please make sure that you have all parts indicated before you begin assembly of this item.

Part List and Hardware List

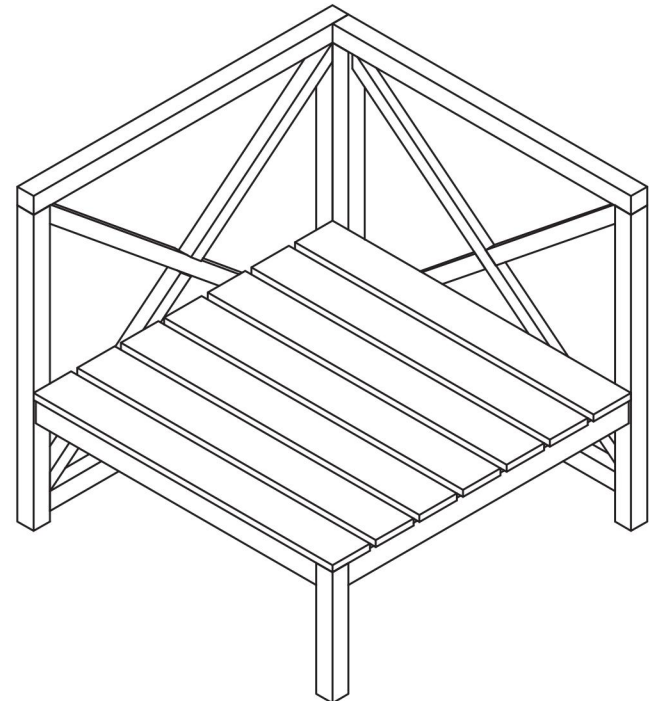
PIECE	DESCRIPTION	PICTURE	QUANTITY
A	Leg		1 X
B	Seat		1 X
C	Back		1 X
D	Side		1 X
E1	Allen Bolt		3 X
E2	Allen screw		2 X
E3	Lock		2 X
E4	Extra bolt		1 X
E5	Allen Key		1 X
E6	Wrench		1 X

Product Dimension: 27.09"W x 27.09"D x 26.77"H

Weight capacity : 300 lbs

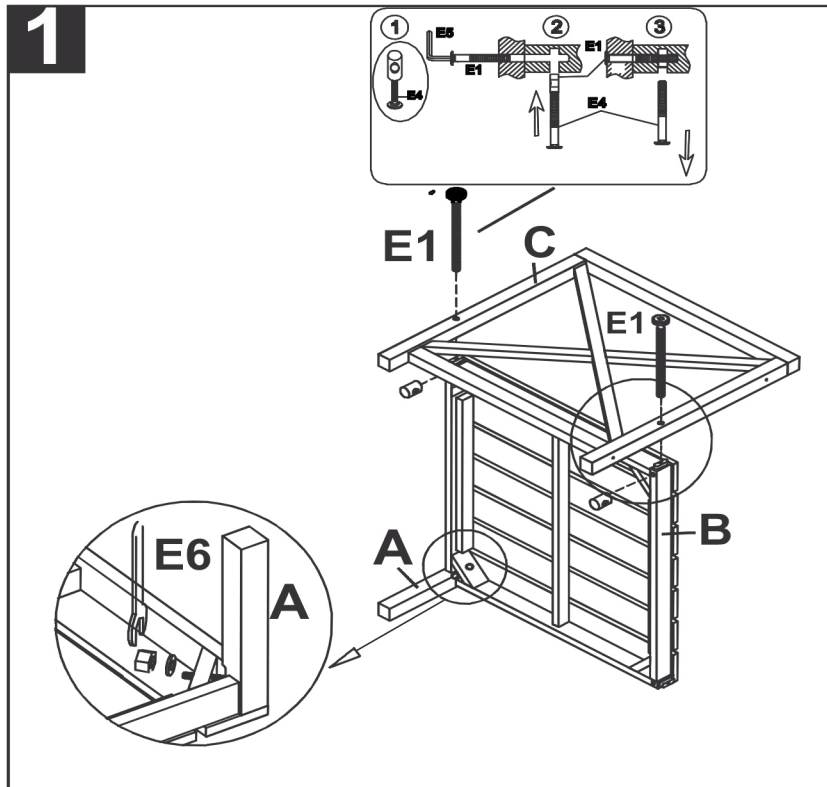
Warning : Do not stand on the chair

Warning : Do not torque bolts / screws

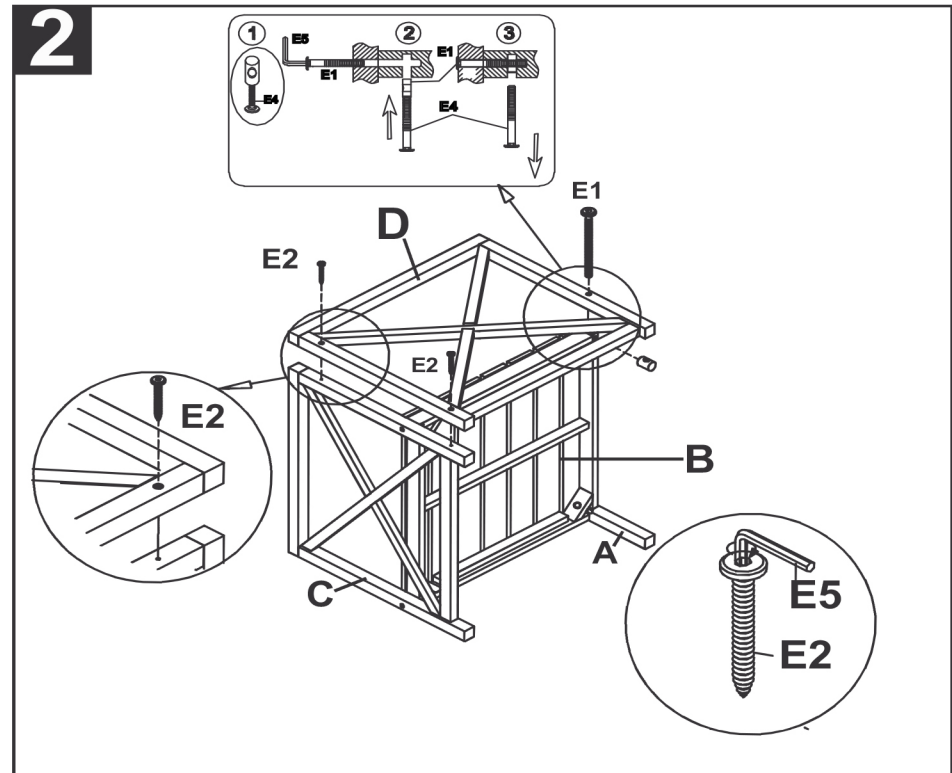


PREPARATION

Before beginning the assembly of the product, make sure all parts are present. Compare the parts with the package contents list and hardware contents list. If any parts are missing or damaged, do not attempt to assemble the product. Tool required for assembly (included): Allen Key and Wrench.



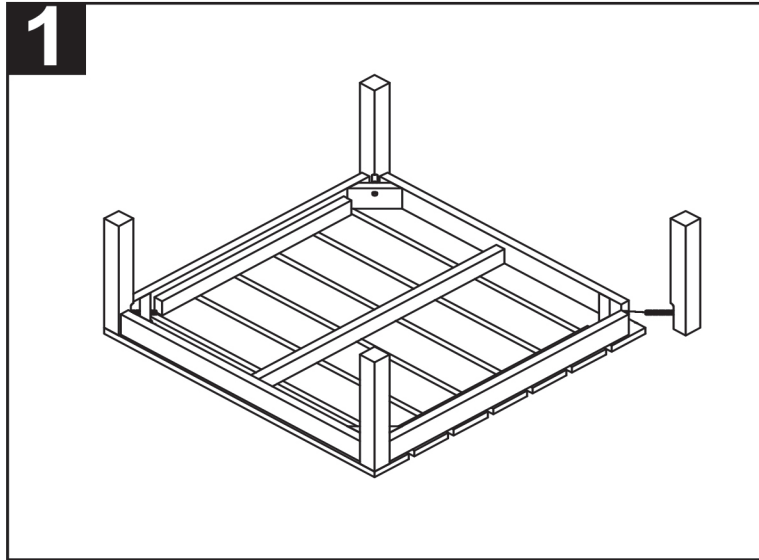
Step 1: attach the leg (A) and the back (C) to the seat (B) as shown on the picture. Then use the Allen Bolt (E1) and tighten it with the Allen Key (E5). Then tighten the leg (A) with the wrench (E6) as shown on the picture.



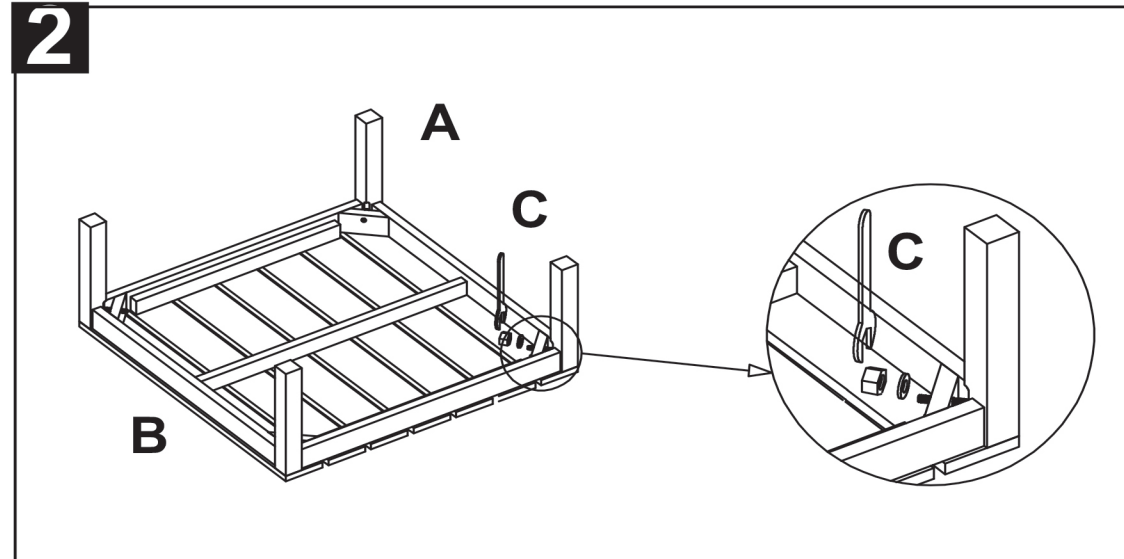
Step 2: attach the side (D) to the chair by using the the Allen screw (E2) and the Allen Bolt (E1) and tighten both sides with the Allen Key (E5) as shown on the pictures.

PREPARATION

Before beginning the assembly of the product, make sure all parts are present. Compare the parts with the package contents list and hardware contents list. If any parts are missing or damaged, do not attempt to assemble the product. Tool required for assembly (included): Wrench.



Step 1: turn the table top (A) and attach the 4 legs (B) as shown on the picture.



Step 2: use the Wrench (C) to tighten all legs as shown on the picture.

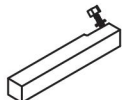
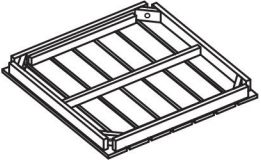

CARE AND MAINTENANCE

Store outdoor furniture indoors or cover well when it is not in use. Dust regularly with small brush or vacuum. Spills should be taken care of immediately before they harden or stain with a slightly dampened sponge.

NOTICE

Please make sure that you have all parts indicated before you begin assembly of this item.

Part List and Hardware List

PIECE	DESCRIPTION	PICTURE	QUANTITY
A	Leg		4 X
B	Table Top		1 X
C	Wrench		1 X

Product Dimension: 25.59"W x 25.59"D x 11.02"H

Weight capacity : 40 lbs.

Warning : Do not stand on the table

Warning : Do not torque bolts / screws

