

# USER MANUAL

PRODUCT NAME: POOL CANOPY  
MODEL NO.: YH-GZ-001

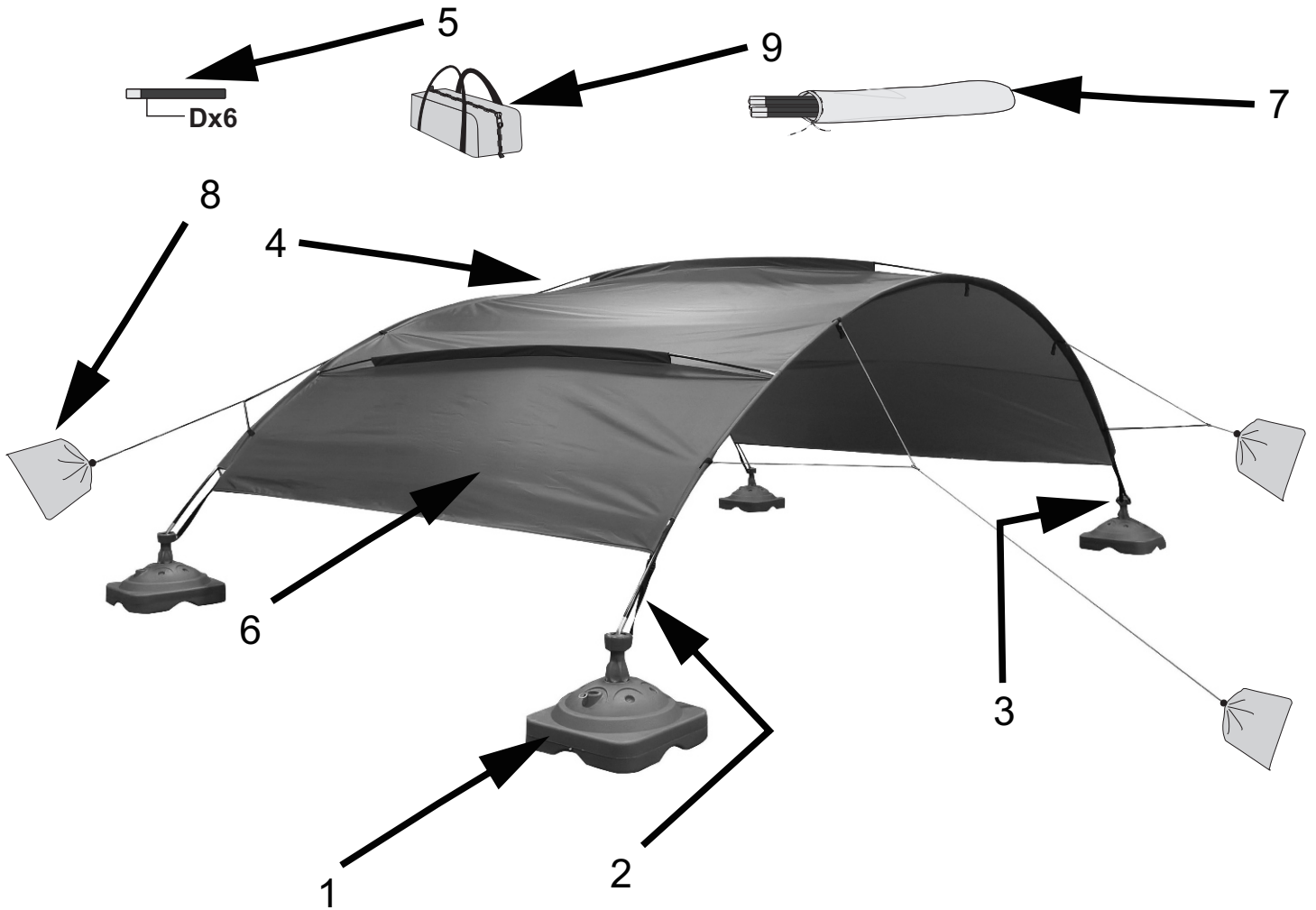


**CAUTION:** Carefully read instructions and procedures for safe operations.



**CAUTION:** Do never leave this product unattended if bad weather expected.  
This product only permit to be used in summer fair weather.  
In winds and storms you must collapse the shelter.

# 1-PRODUCT DIAGRAM



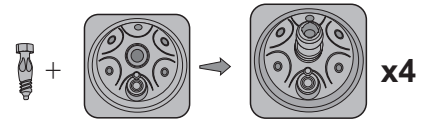
# 2-PACKAGE CONTENT

No.	Parts	Quantities
1	Plastic base with column	X4
2	Fiber glass poles A	X2
3	Fiber glass poles B	X2
4	Fiber glass poles C	X3
5	Fiber glass poles D	X6
6	Shelter	X1
7	Pole bag	X1
8	Sand pockets	X4
9	Carrybag	X1

# 3- INSTALLATION INSTRUCTION

Step 1: Open box, Separate each of the components and extend them on the ground.  
There are :

A- Plastic base and column X4  
(Screw the column up on the base)



B- Poles bag X1



Open the poles bag ,There are:

Fiber glass poles A X2 (After interlock all segments)



Fiber glass poles B X2



Fiber glass poles C X3 (After interlock all segments)



Fiber glass poles D X6



C- Carrybag X2

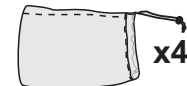


Open the carrybag ,There are:

Shelter X1



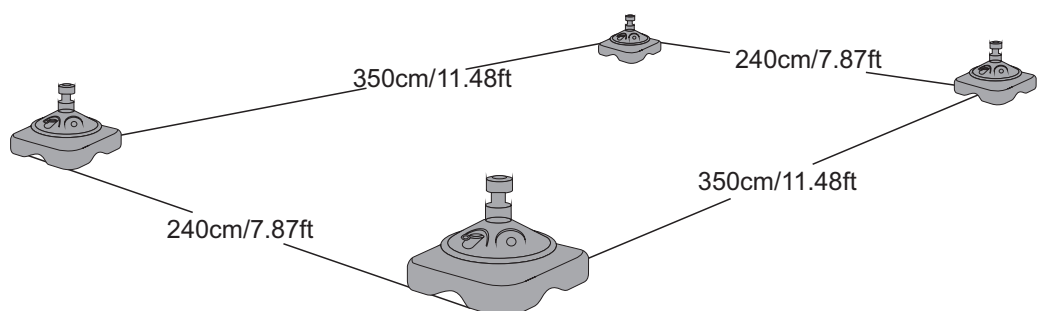
Sand pockets X4



Step 2: Pull the plug on side of the plastic base ,fill the water in the plastic base throught this inlet.

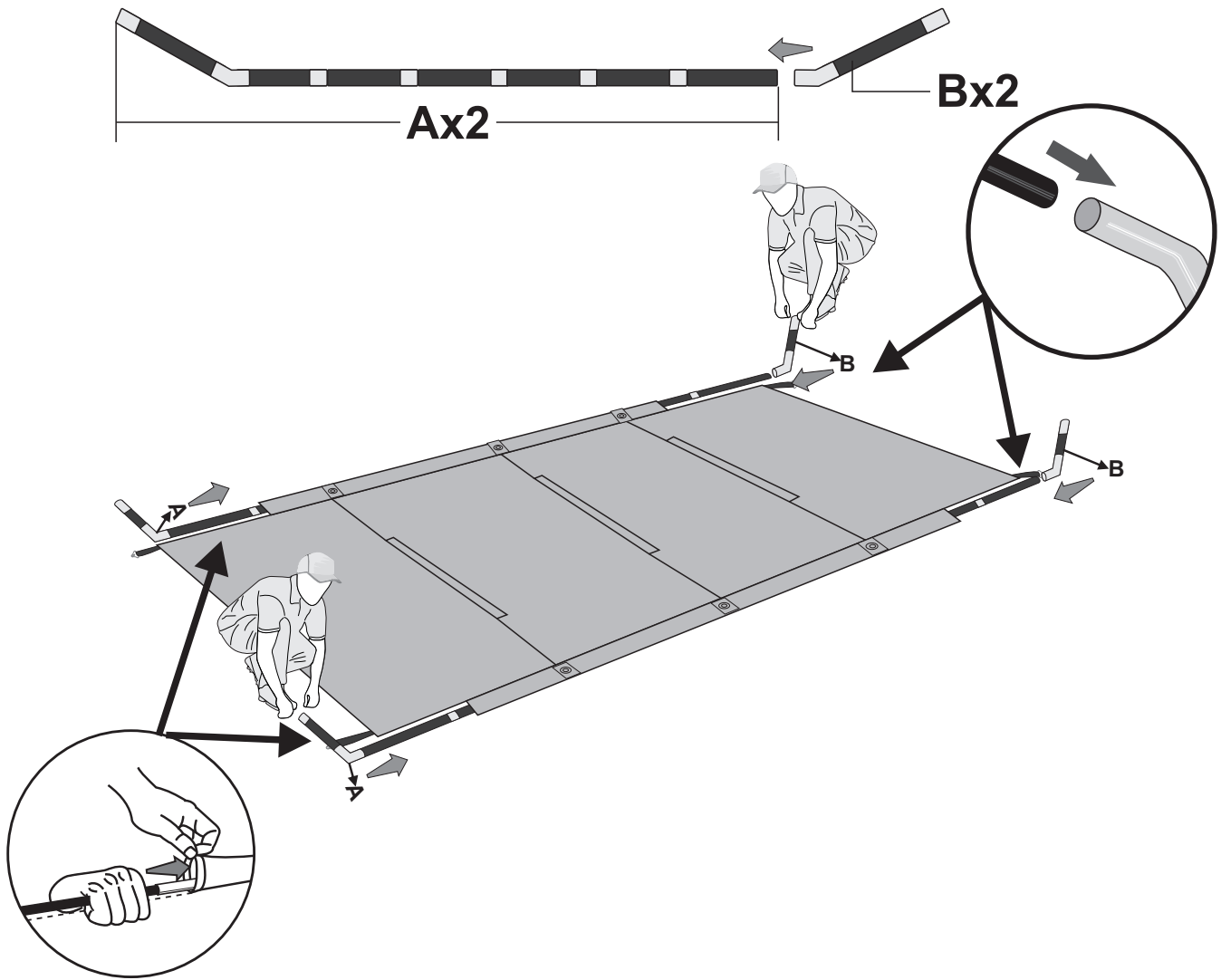


Place these four bases in turn according to the size of 350cm/11.48ft in lenth and 240cm/7.87ft in width.



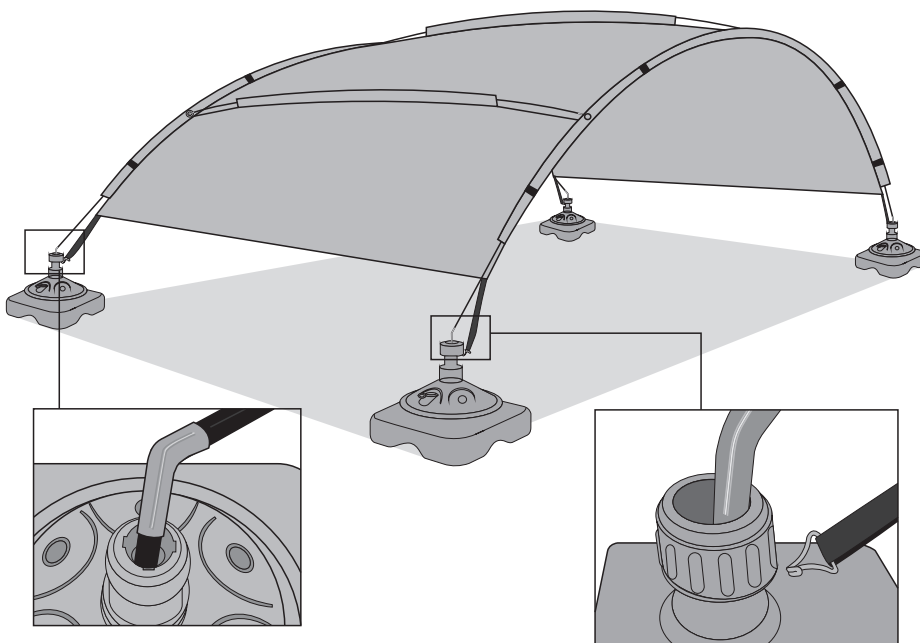
Step 3: Unfold the shelter and spread it out on a clean and level surface:

Carefully thread the straight end of Fiberglass Poles (A)x2 through the pole sleeves at each side of the shelter, After done, Interlock the elbow end of Fiberglass poles (B)x2 to the straight end of (A) poles;

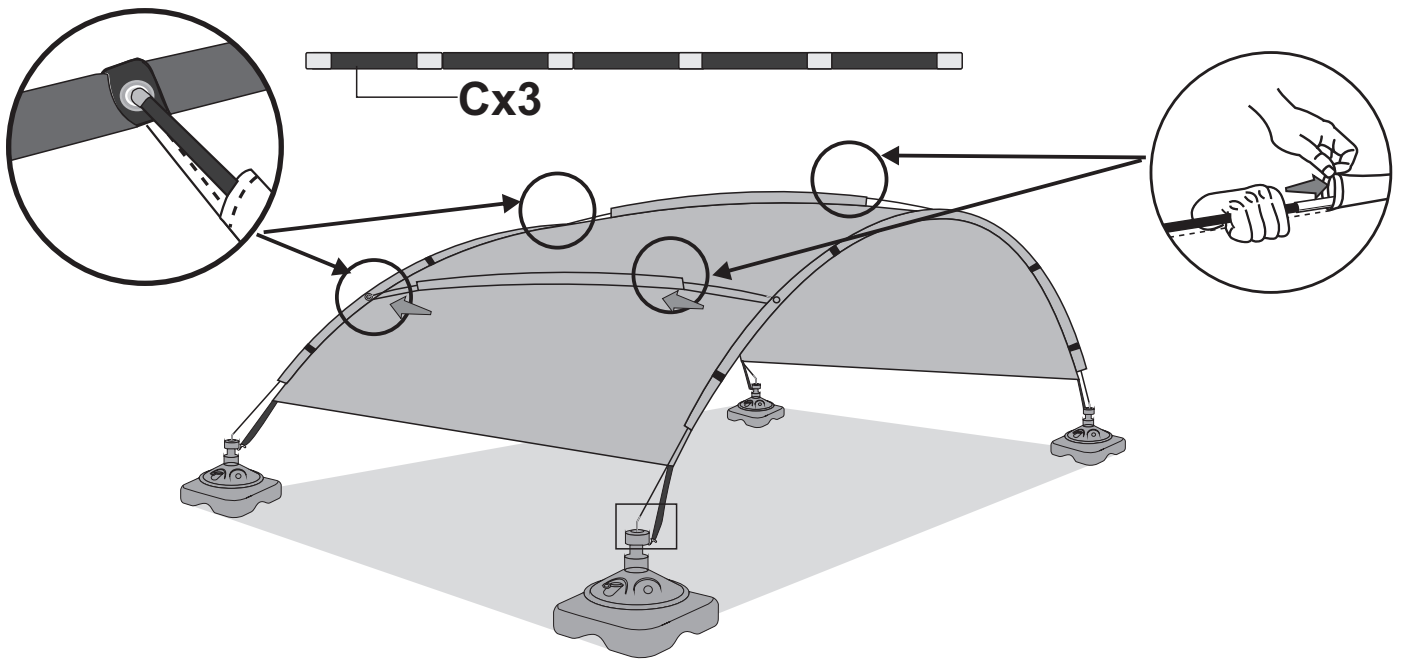


Step 4: Insert the 4 poles ends to the column of Plastic base and tighten the cover to fix the poles to the plastic base;

Hook the 4 hooks on each corner of the shelter to the cover on the plastic base column And tighten it by using the adjuster on the webbing;

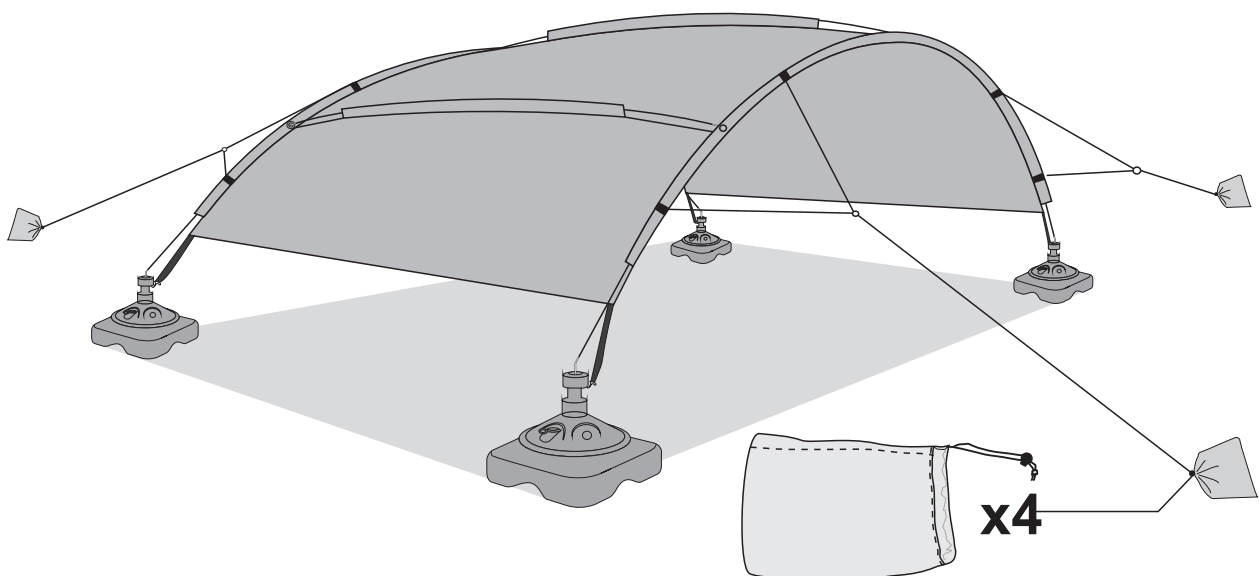


Step 5: Carefully thread Fiberglass Poles (C)x3 through the pole sleeves at the top of the shelter,After done, locked pole ends to the eyelets on the Pole A sleeves;

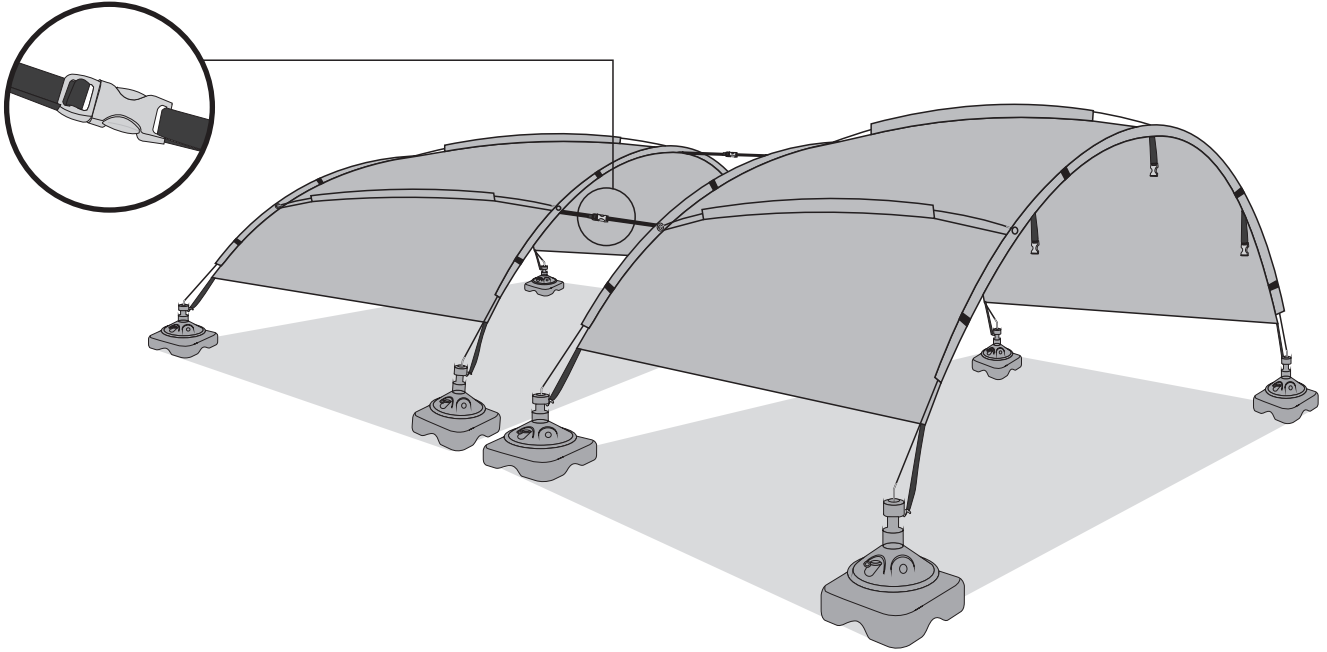


Step 6: Adjust the shelter by repeat the above steps to get this shelter well installed;  
Place this shelter above the pool.

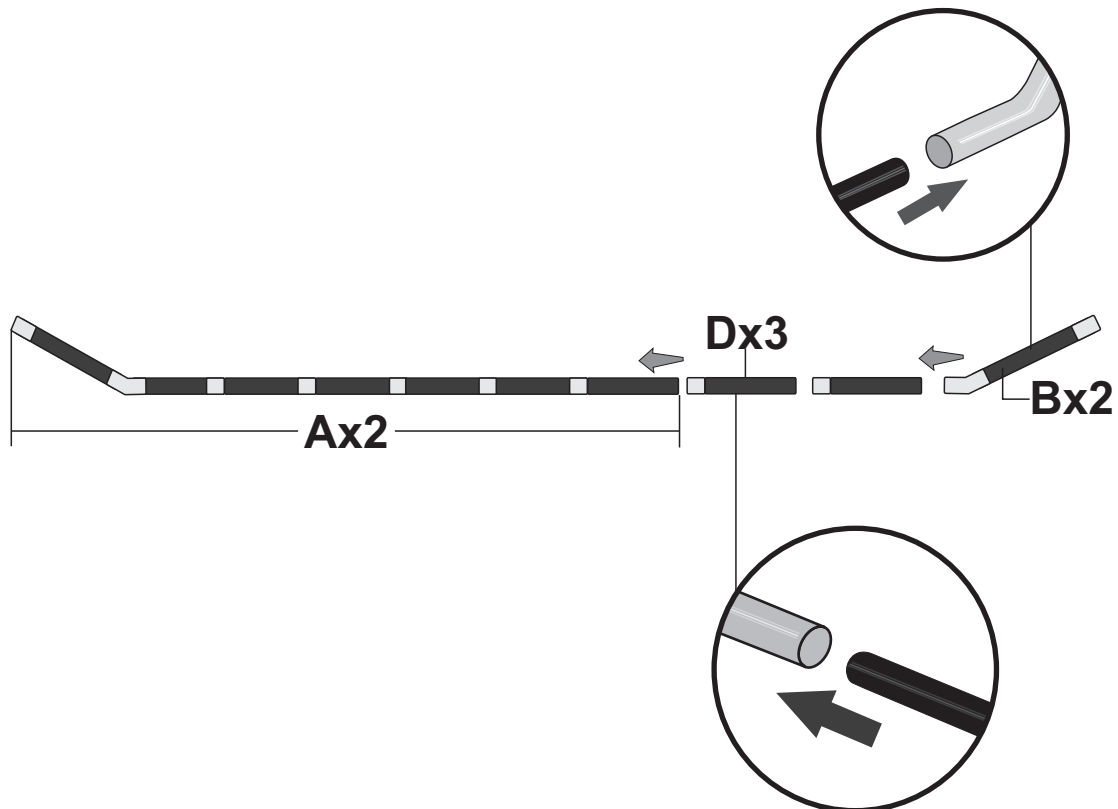
Step 7: To get the shelter more stability,On each side of the shelter ,we equipped with 2 guylines,  
Fill the sandbags with sand and fix this 4 sandbags to the guylines to stablize  
the shelter;



Step 8: On one side of the shelter, We equipped 3pcs of male buckles, On the other side of shelter, We equipped 3pcs of female buckles. If you want your pool with more shade, you can combine 2 or more this kind of shelters by use this buckles to connect each other.



Step 9: The standard size of this shelter in length 350cm/11.48ft  
If your pool size in more than 350cm/11.48ft width ,  
Please use the fiber glass poles (D) total in 6 pcs to extend your poles.  
Max. size could go to length 500cm/16.4ft.



## 4- MAINTENANCE AND REPAIR

- To remove stains, clean with cold water and use mild remover if necessary.  
Do not use a strong stain remover to avoid damage to the fabric or local fading.
- Do not use a washing machine or dryer to clean the shelter to avoid causing fabric damage.
- After cleaning, please spread the shelter indoors or outdoors in a cool place to dry;  
Do not expose it to the sun to avoid damage to the fabric.
- Check the shelter regularly to see if there is any damage. If there is any damage, please repair it in time. You can use a waterproof repair subsidy to repair the damaged parts.
- Check the pole after each use. If damaged, replace it in time.
- Please store the shelter in a dry and cool place, away from direct sunlight and damp places.
- When the shelter is stored, try to let it loose naturally, which can extend the service life of the shelter, and put some desiccant to moisture-proof.