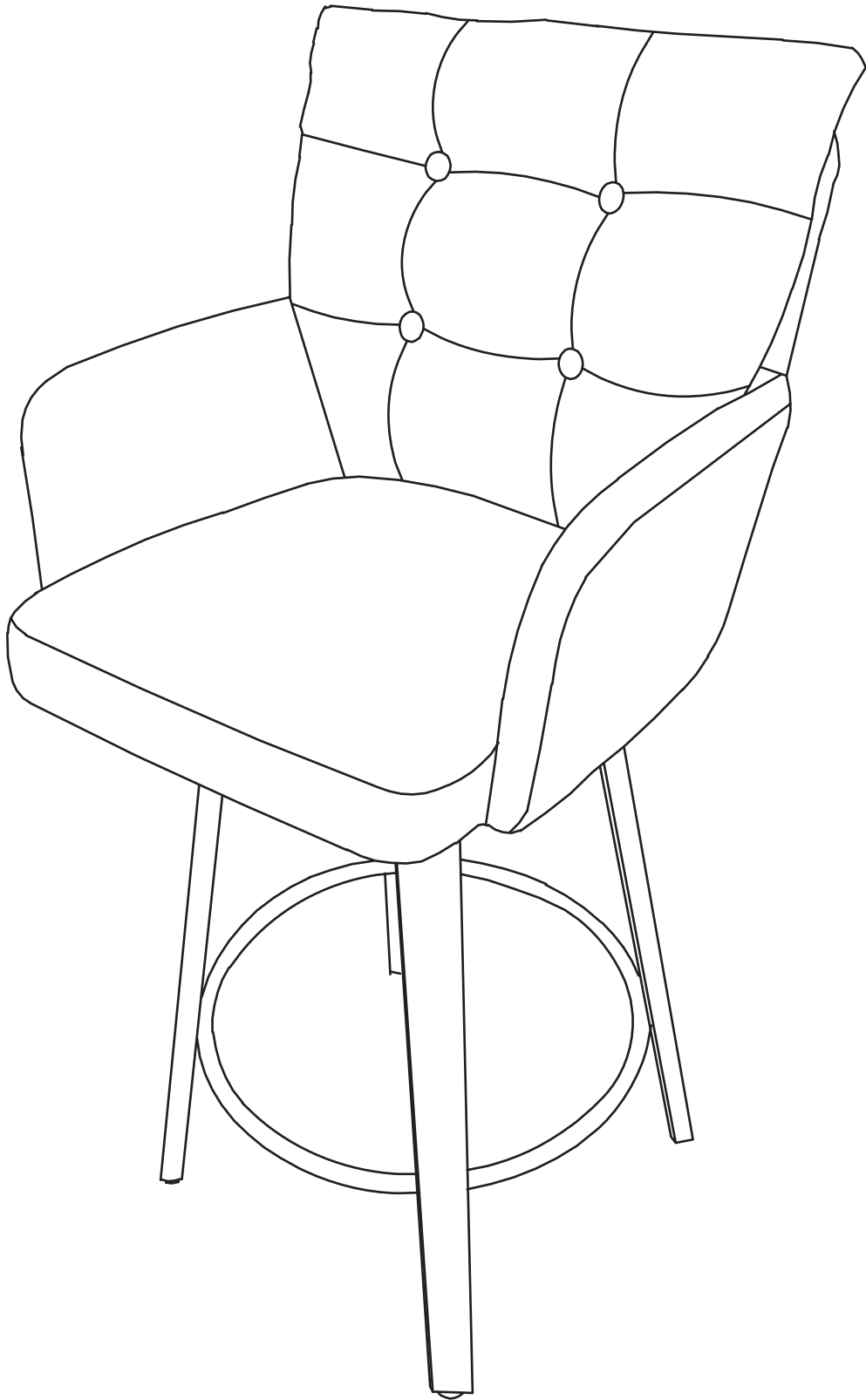
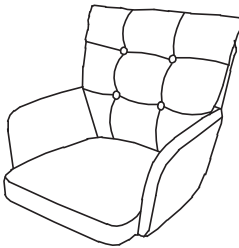
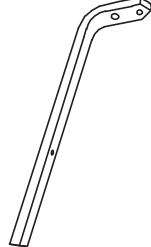
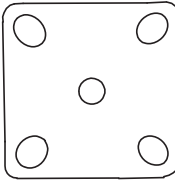

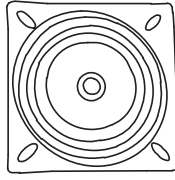
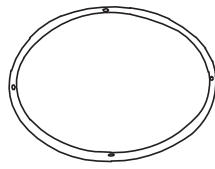





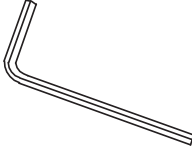



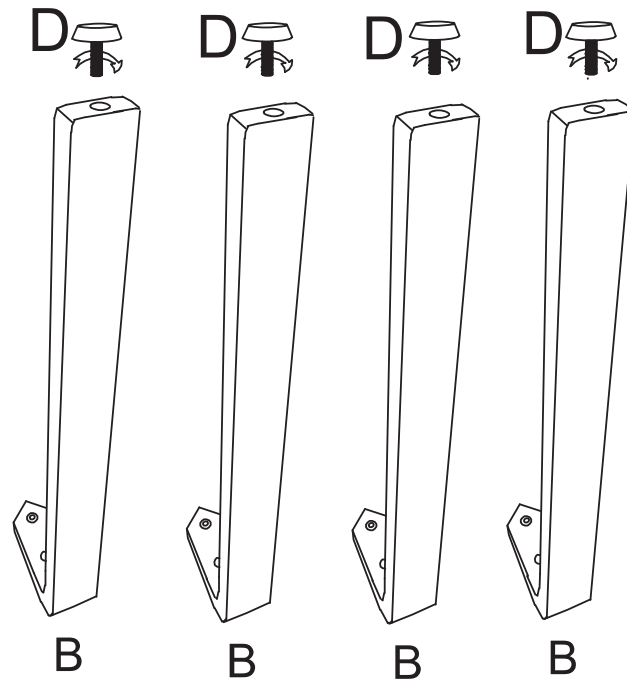
# ASSEMBLY INSTRUCTION



A		1
B		4
C		1
D		4
E		1
F		1
G	 M6*25	6

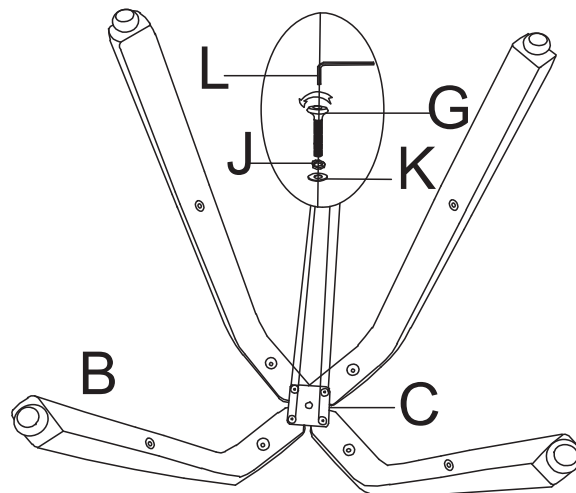
<b>H</b>	 M6*20	<b>6</b>
<b>I</b>	White screw  M6*30	<b>4</b>
<b>J</b>		<b>4</b>
<b>K</b>		<b>4</b>
<b>L</b>		<b>1</b>
<b>M</b>		<b>2</b>

1.



2

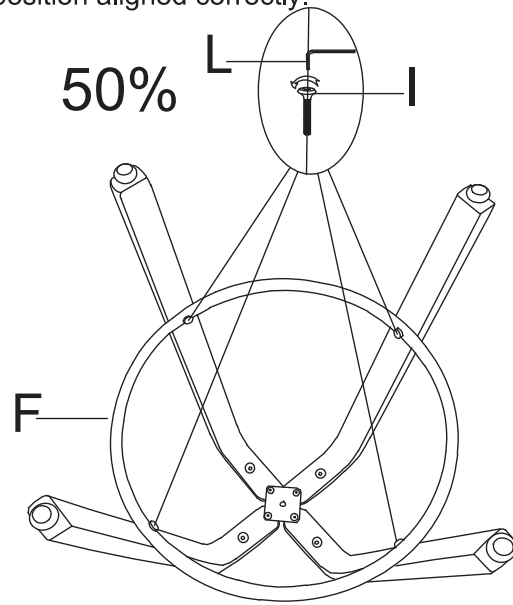
- Don't fasten any bolt until all bolts connected properly and position aligned correctly.



G x 4:M6\*25MM

3

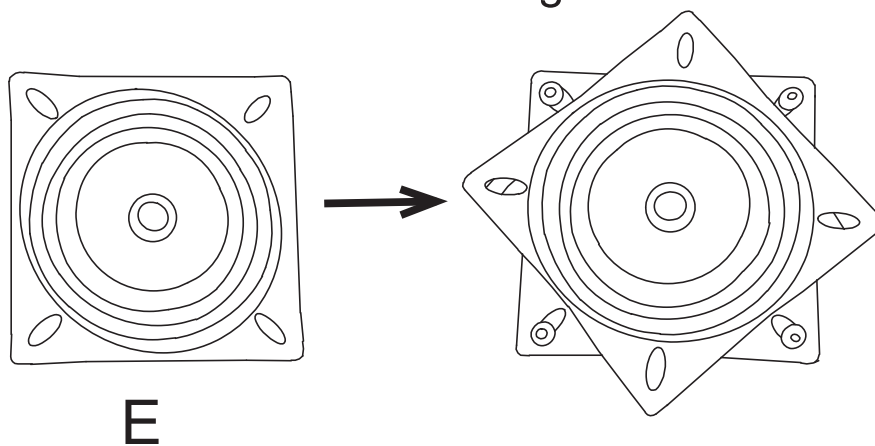
- Don't fasten any bolt until all bolts connected properly and position aligned correctly.



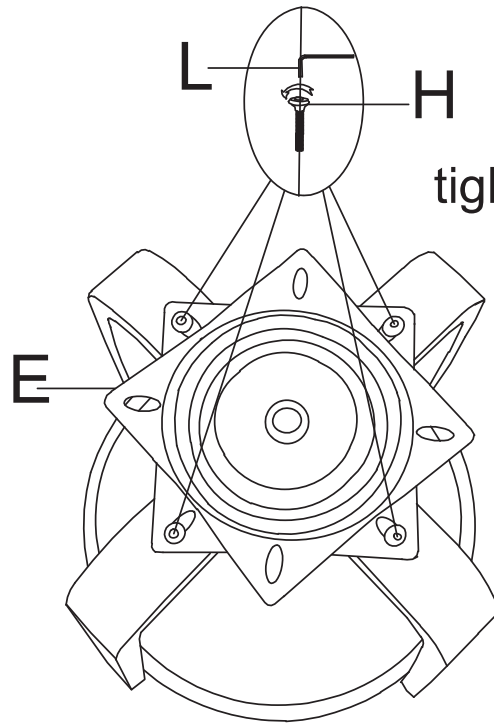
I x4:M6\*30MM  
White screw

4.

Pls turn E to be 90 degrees



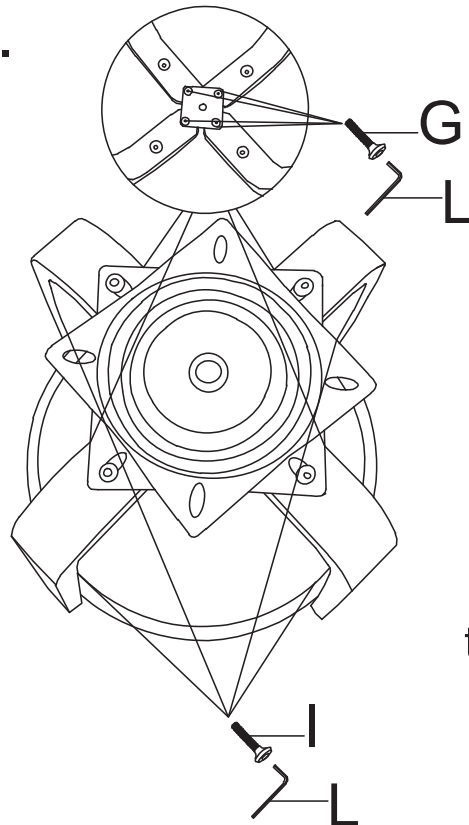
5



tighten H 100%

Hx4:M6\*20MM

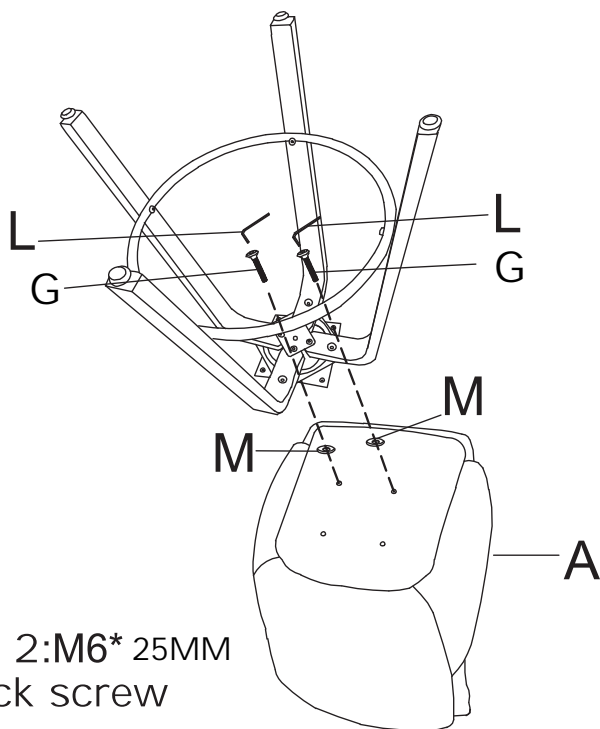
6



Make sure the four legs are aligned to the floor and steady

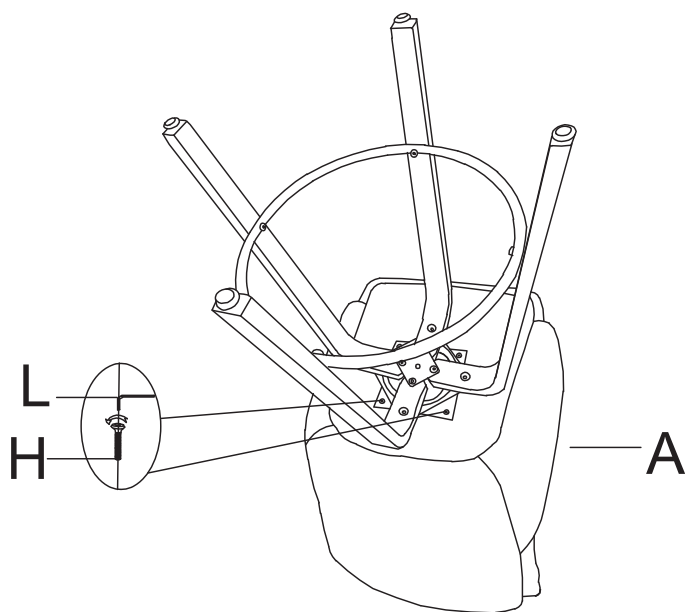
tighten I & G 100%

7.



G x 2: M6\* 25MM  
Black screw  
M x 2  
tighten 50%

8.



tighten H & N 100% H: M6\*20 MM

9.

