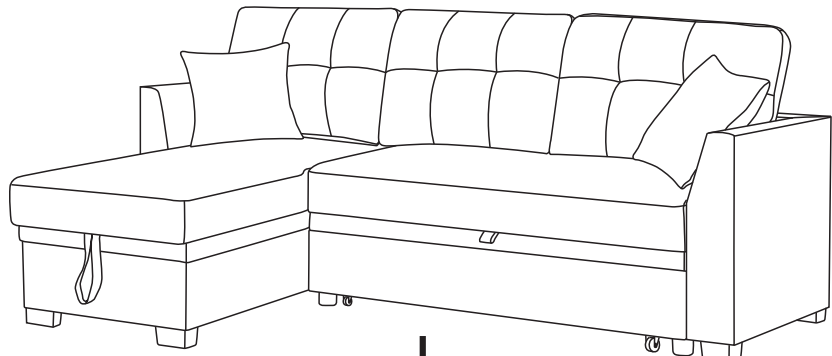
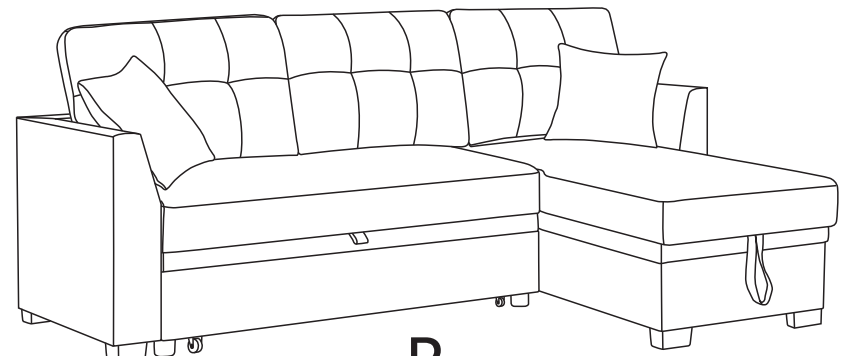


ASSEMBLY INSTRUCTION

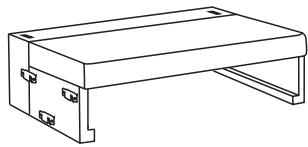


-L



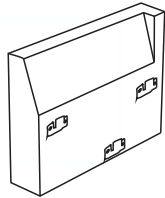
-R

PARTS LIST



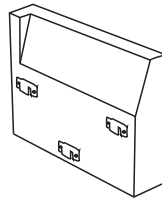
A

X1



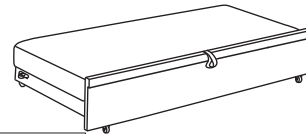
B

X1



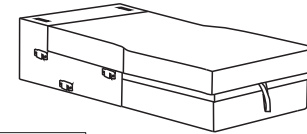
C

X1



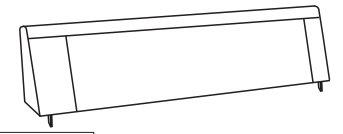
D

X1



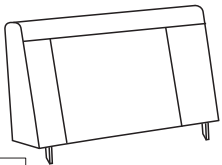
E

X1



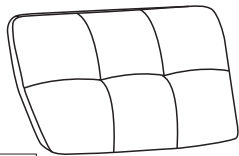
F

X1



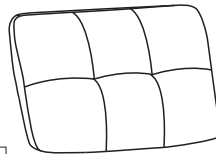
G

X1



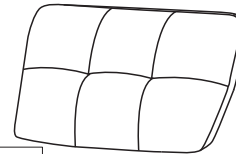
H

X1



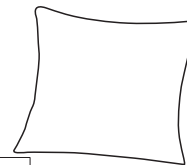
I

X1



J

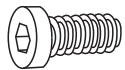
X1



K

X2

HARDWARE LIST



1

M6X25

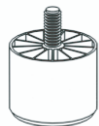
X8



2

M4

X1



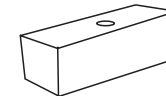
3

X6



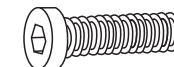
4

X4



5

X6



6

M8X60

X6

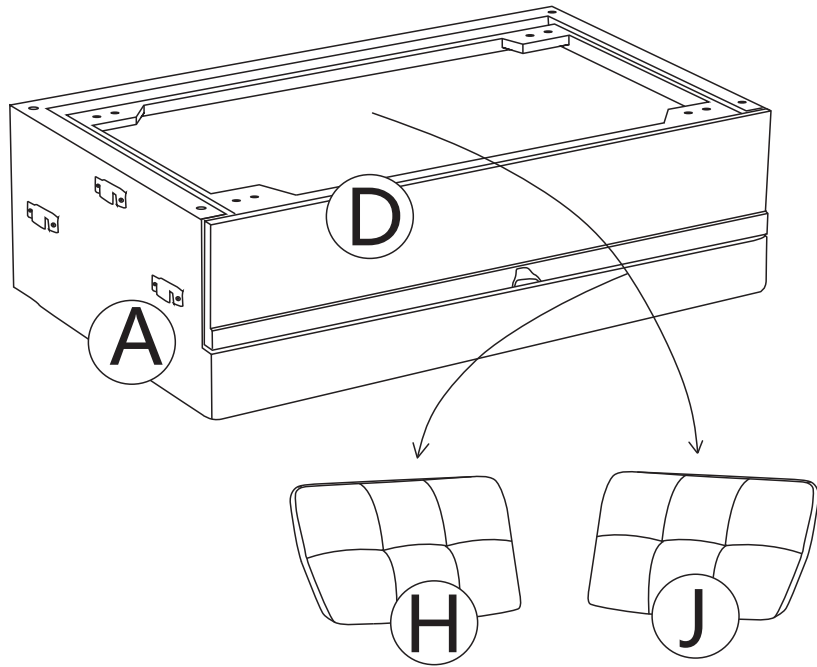


7

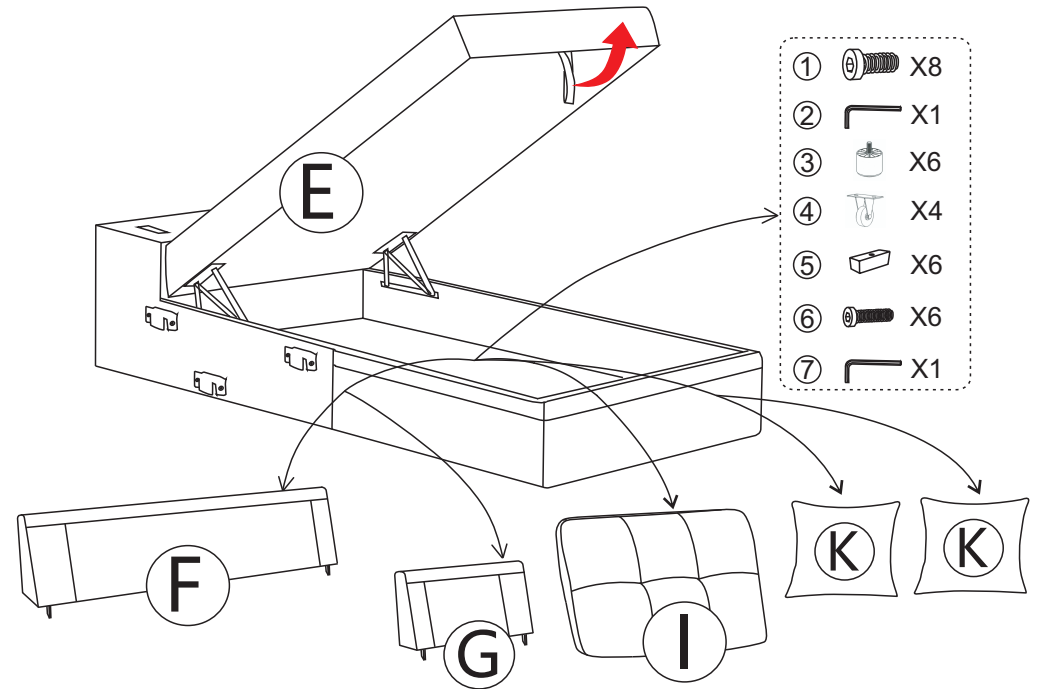
M5

X1

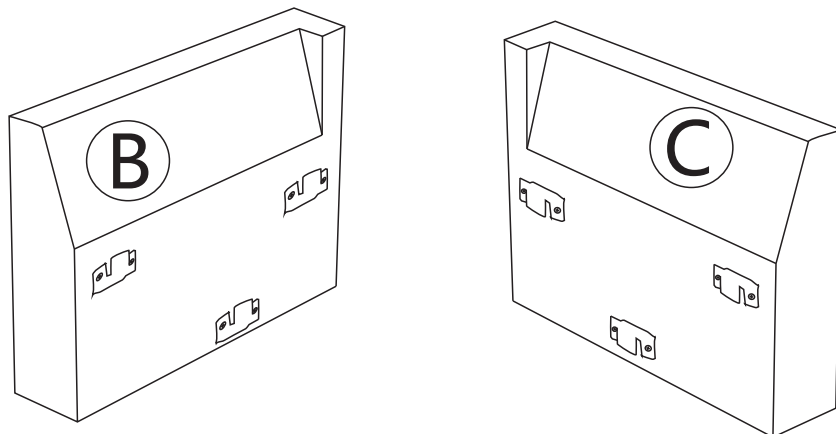
BOX -L HARDWARE LIST



BOX -C HARDWARE LIST



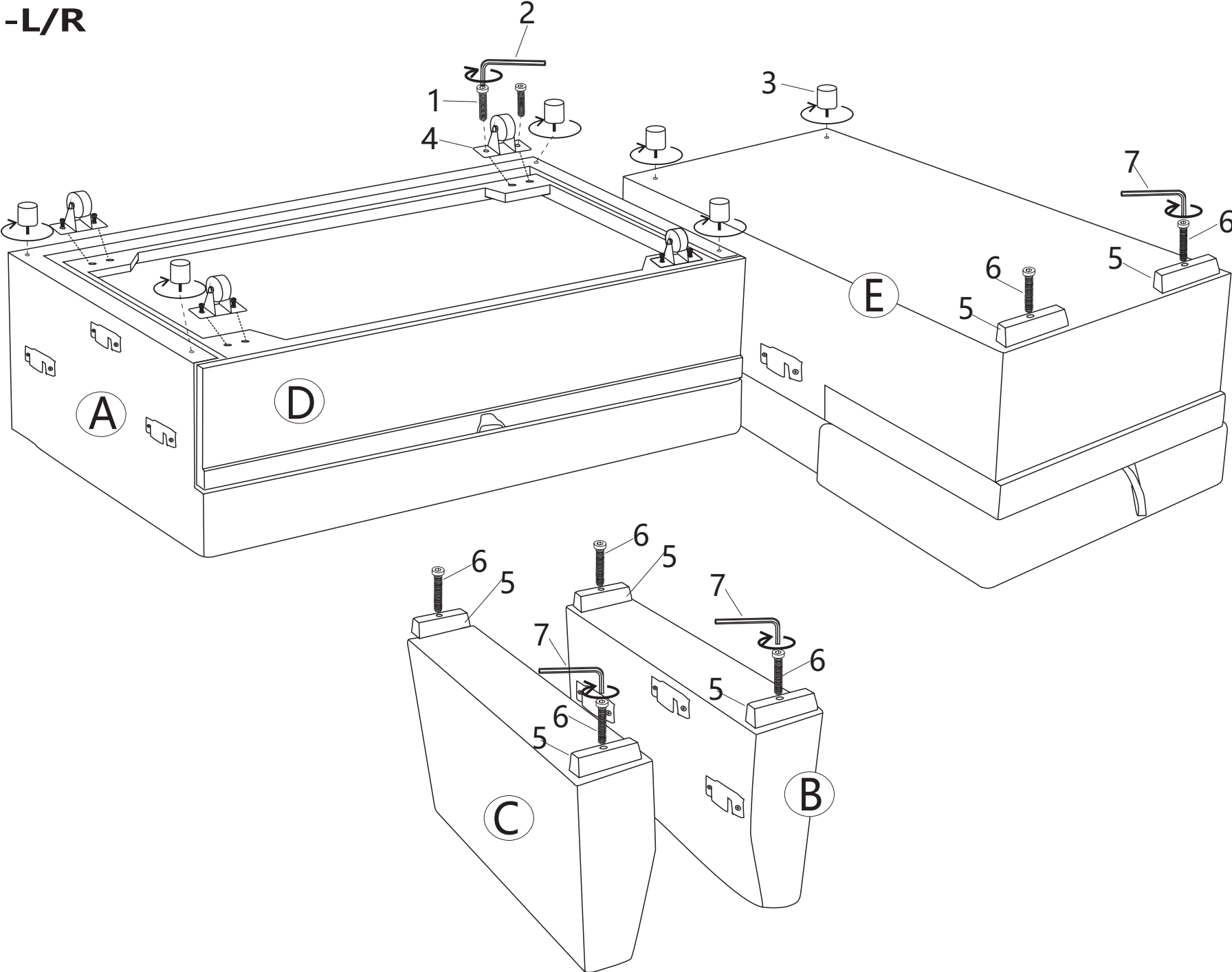
BOX -A HARDWARE LIST



Unpacking steps:

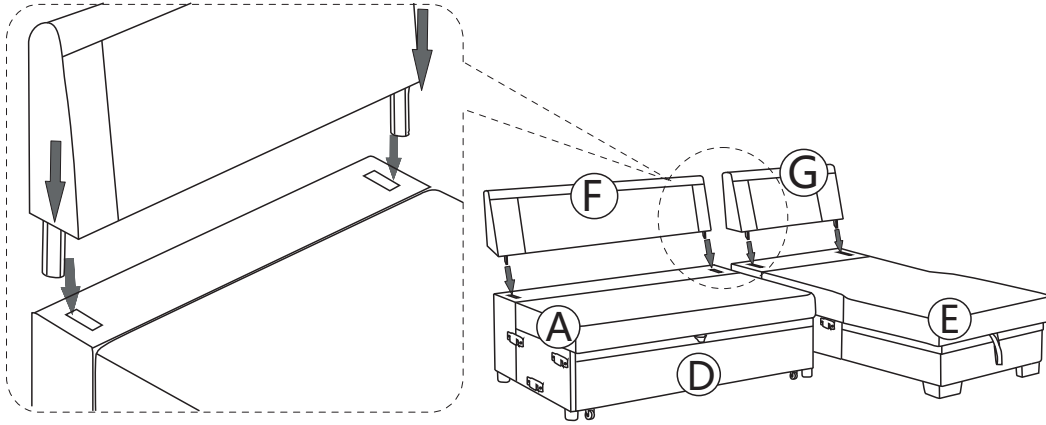
1. BOX-C
2. BOX-L
3. BOX-A

Step1-L/R

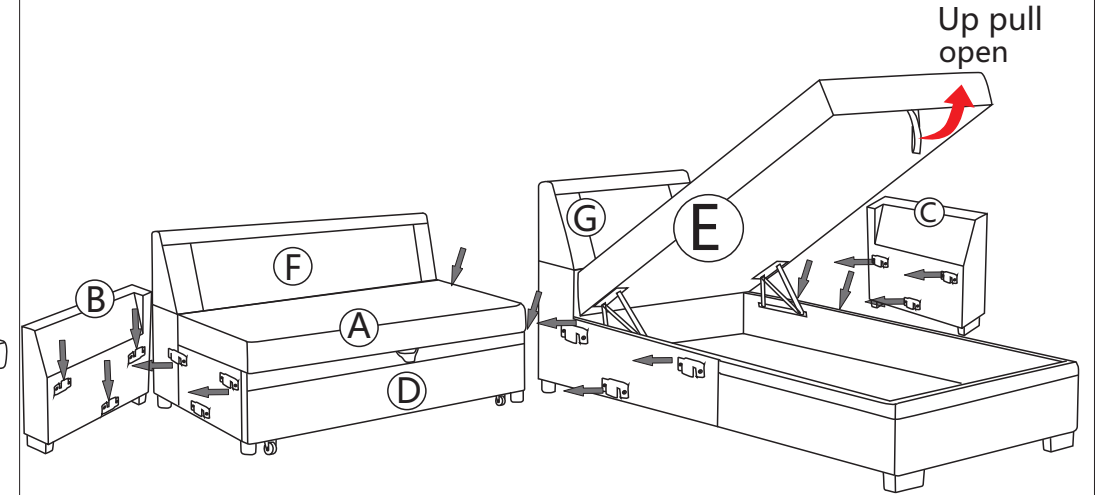


Step2-L/R

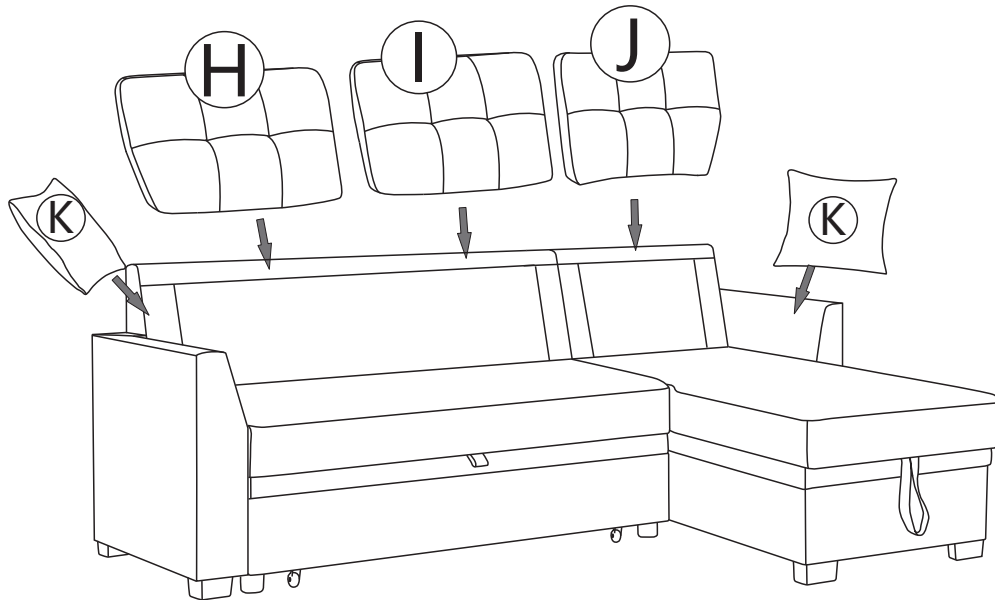
Please Make Sure Both Sides of the Backrest Make Alignment to the Slot Brackets And Inserted Down At The Same Time!



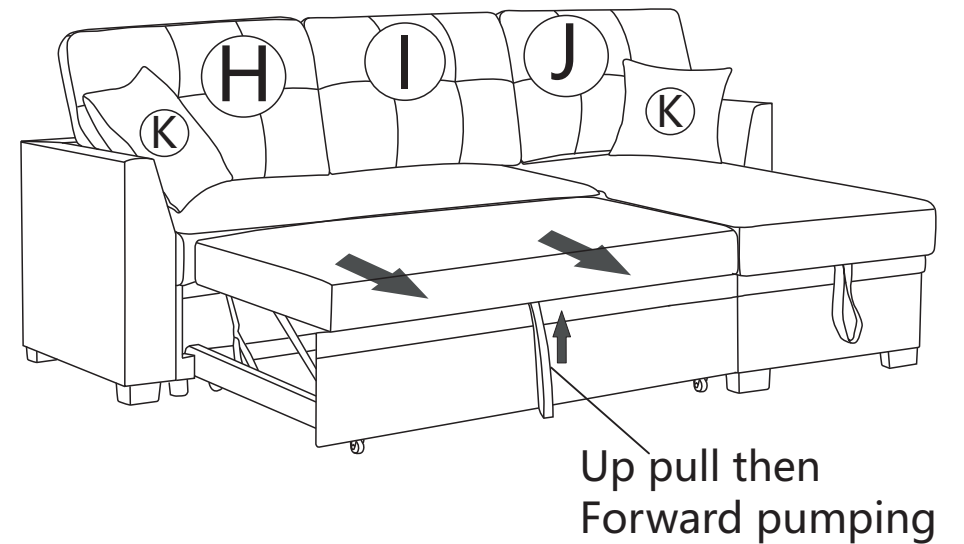
Step3-R



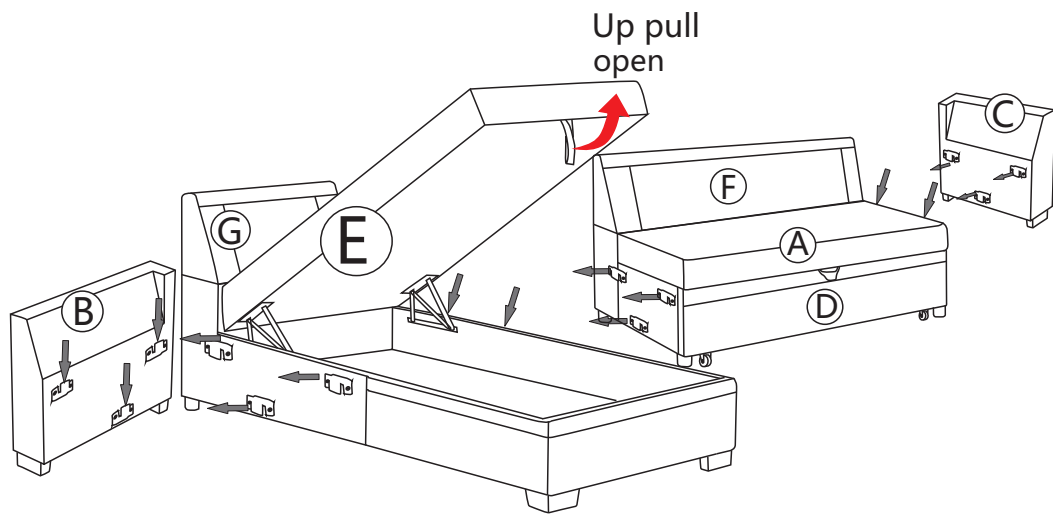
Step4-R



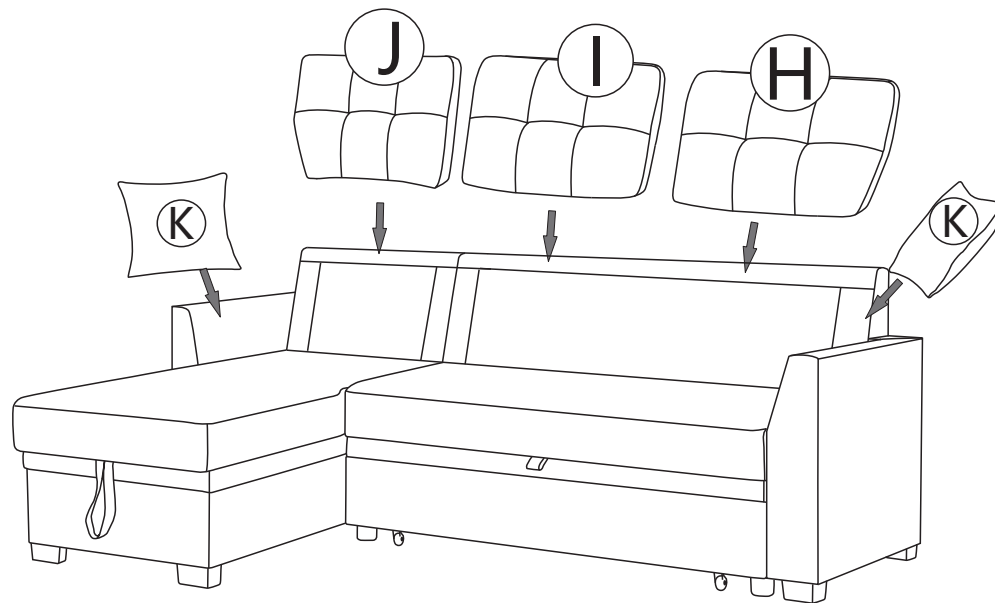
Step5-R



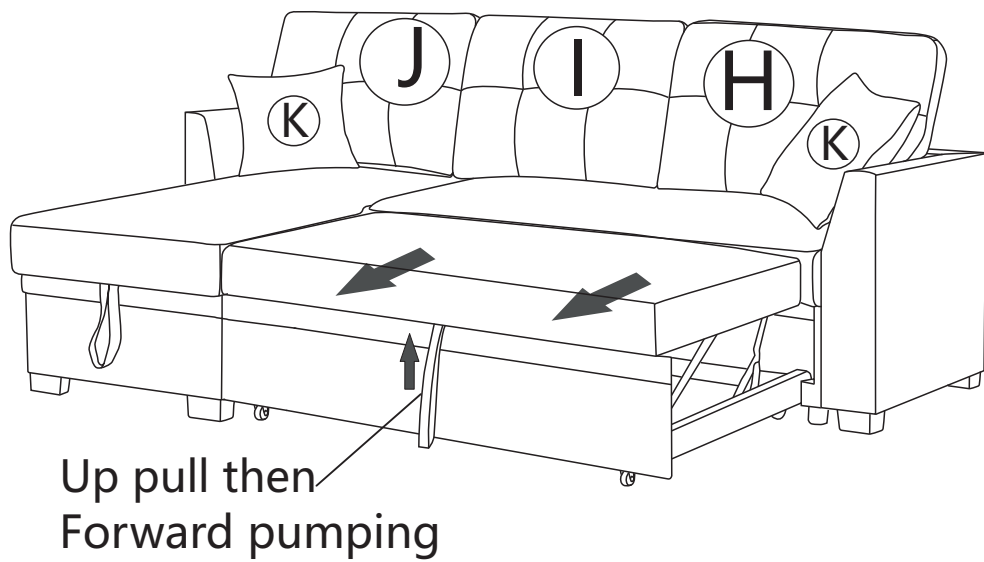
Step3-L



Step4-L



Step5-L



Step6-L

